

US00D543710S

(12) **United States Design Patent**
Krumpe et al.

(10) **Patent No.:** **US D543,710 S**

(45) **Date of Patent:** **** Jun. 5, 2007**

(54) **ROBE HOOK**

(75) Inventors: **Geraint Krumpe**, Chicago, IL (US);
Victor Hoernig, Lowell, IN (US)

(73) Assignee: **Liberty Hardware Mfg. Corp.**,
Winston-Salem, NC (US)

(**) Term: **14 Years**

(21) Appl. No.: **29/265,813**

(22) Filed: **Sep. 8, 2006**

(51) **LOC (8) Cl.** **06-08**

(52) **U.S. Cl.** **D6/323**

(58) **Field of Classification Search** D6/315,
D6/317, 320, 323, 325, 328; D8/300, 301,
D8/307, 310, 321, 349, 354, 367, 372, 373;
211/13.1, 85.3, 86.01, 183; 223/85-98; 248/200,
248/317, 560

See application file for complete search history.

(56) **References Cited**

U.S. PATENT DOCUMENTS

- D361,671 S * 8/1995 Sharpe D6/323
- D372,185 S * 7/1996 Doughty et al. D8/310
- D388,619 S * 1/1998 Klein et al. D6/323

- D389,326 S * 1/1998 Moore D6/323
- D390,709 S * 2/1998 Moore D6/323
- D398,451 S * 9/1998 Sharpe D6/323
- D435,972 S * 1/2001 Moore D6/323
- D436,454 S * 1/2001 Moore D6/323
- D442,073 S * 5/2001 Lyndon D8/367
- D454,049 S * 3/2002 LaPlume et al. D8/301
- D459,200 S * 6/2002 Zhao D8/367
- D518,353 S * 4/2006 Van Handel D8/300

* cited by examiner

Primary Examiner—Mitchell Siegel

Assistant Examiner—Shanda C. Hill

(74) *Attorney, Agent, or Firm*—Edgar A. Zarins; Lloyd D. Doigan

(57) **CLAIM**

The ornamental design for a robe hook, as shown and described.

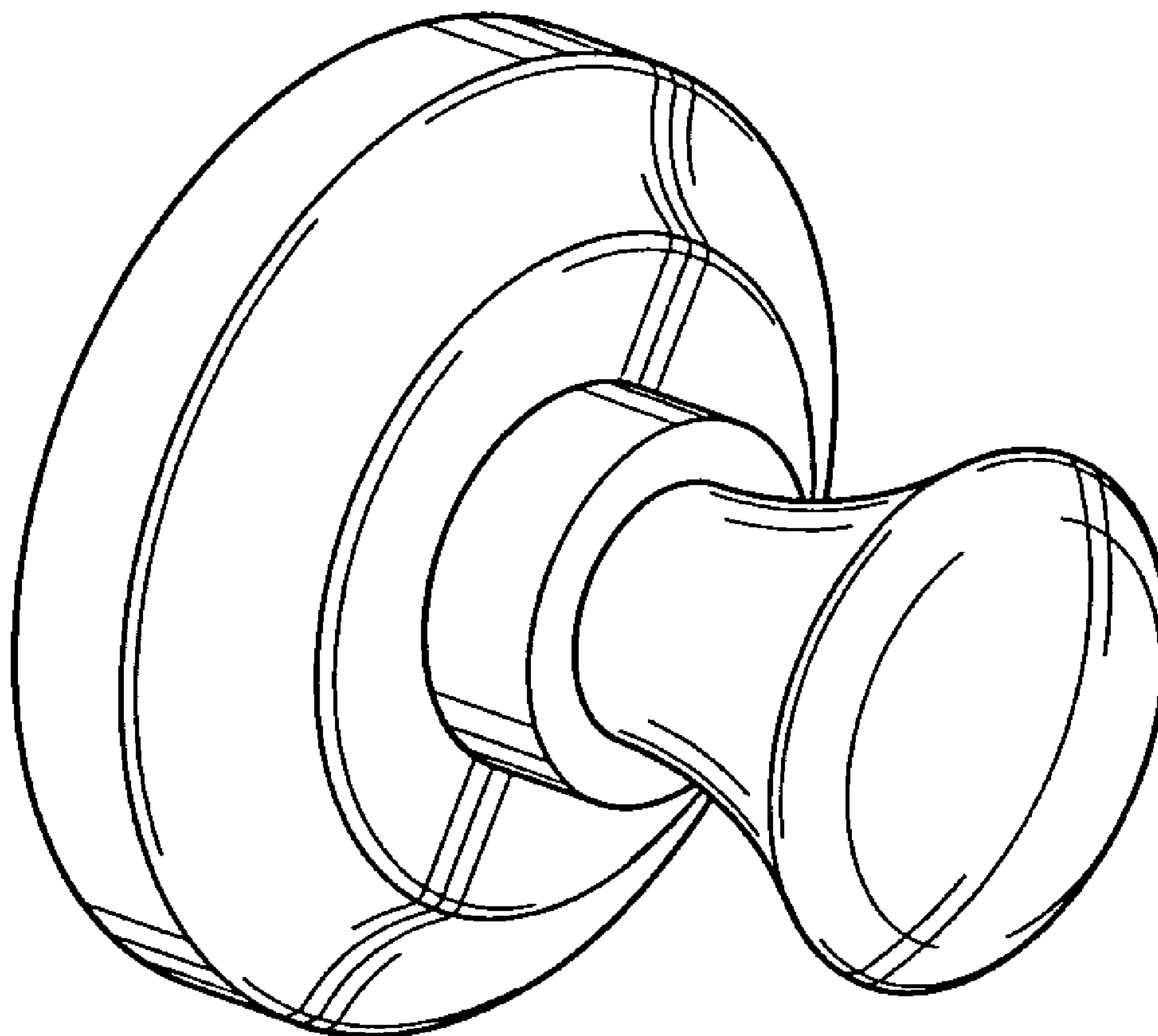
DESCRIPTION

FIG. 1 is a perspective view of a robe hook showing our new design;

FIG. 2 is a front elevational view thereof; and,

FIG. 3 is a side view thereof.

1 Claim, 1 Drawing Sheet



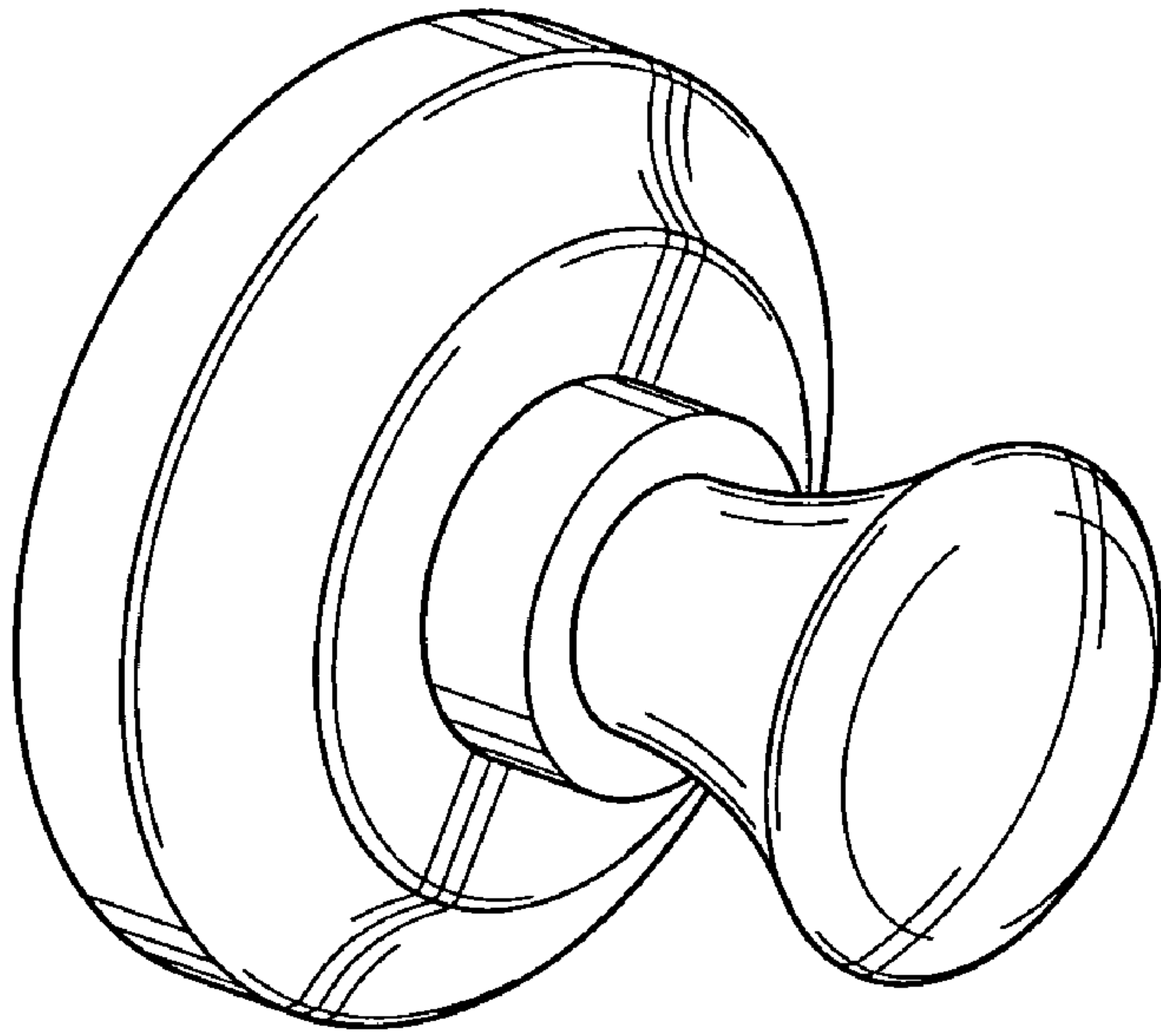


Fig-1

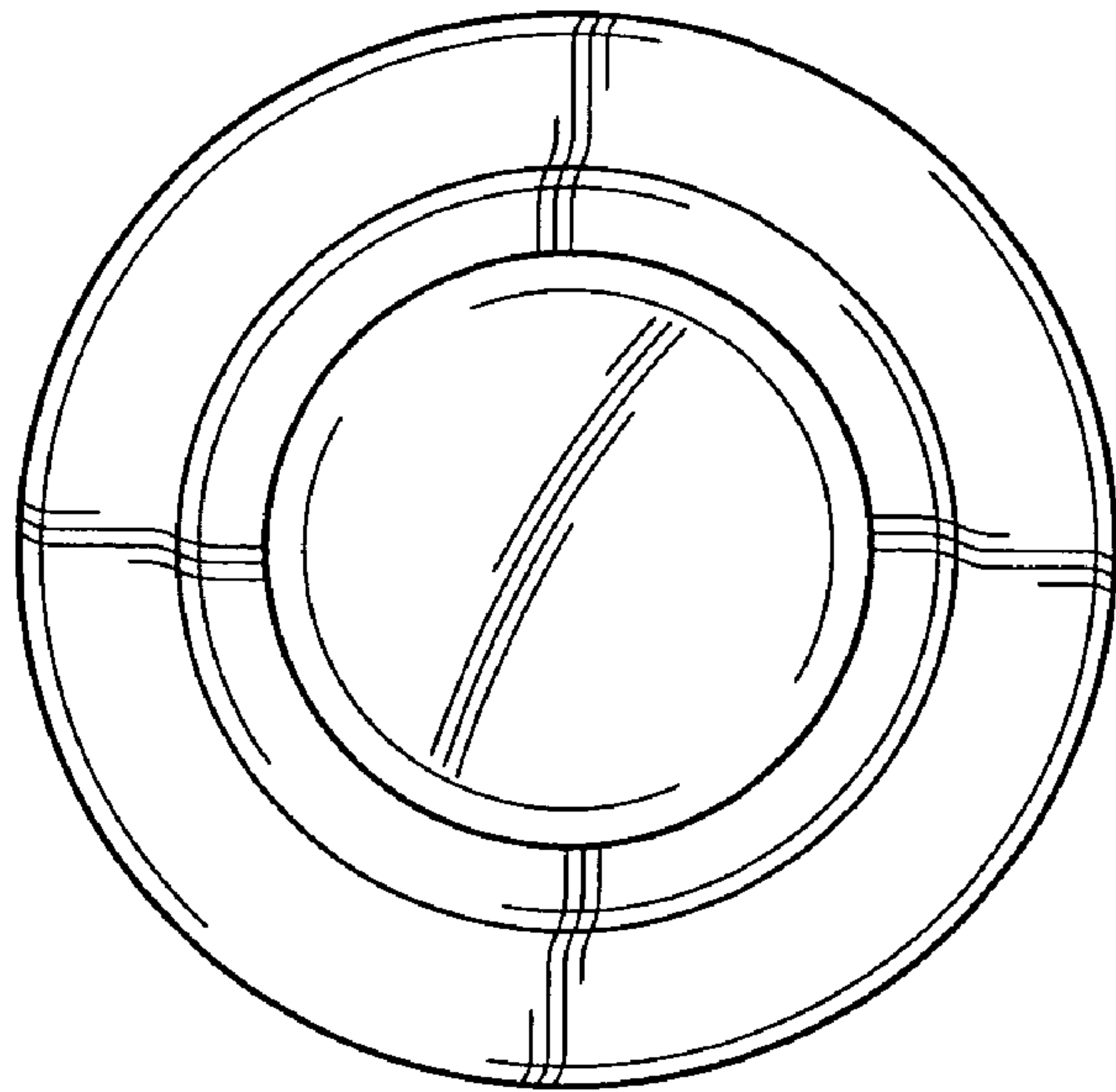


Fig-2

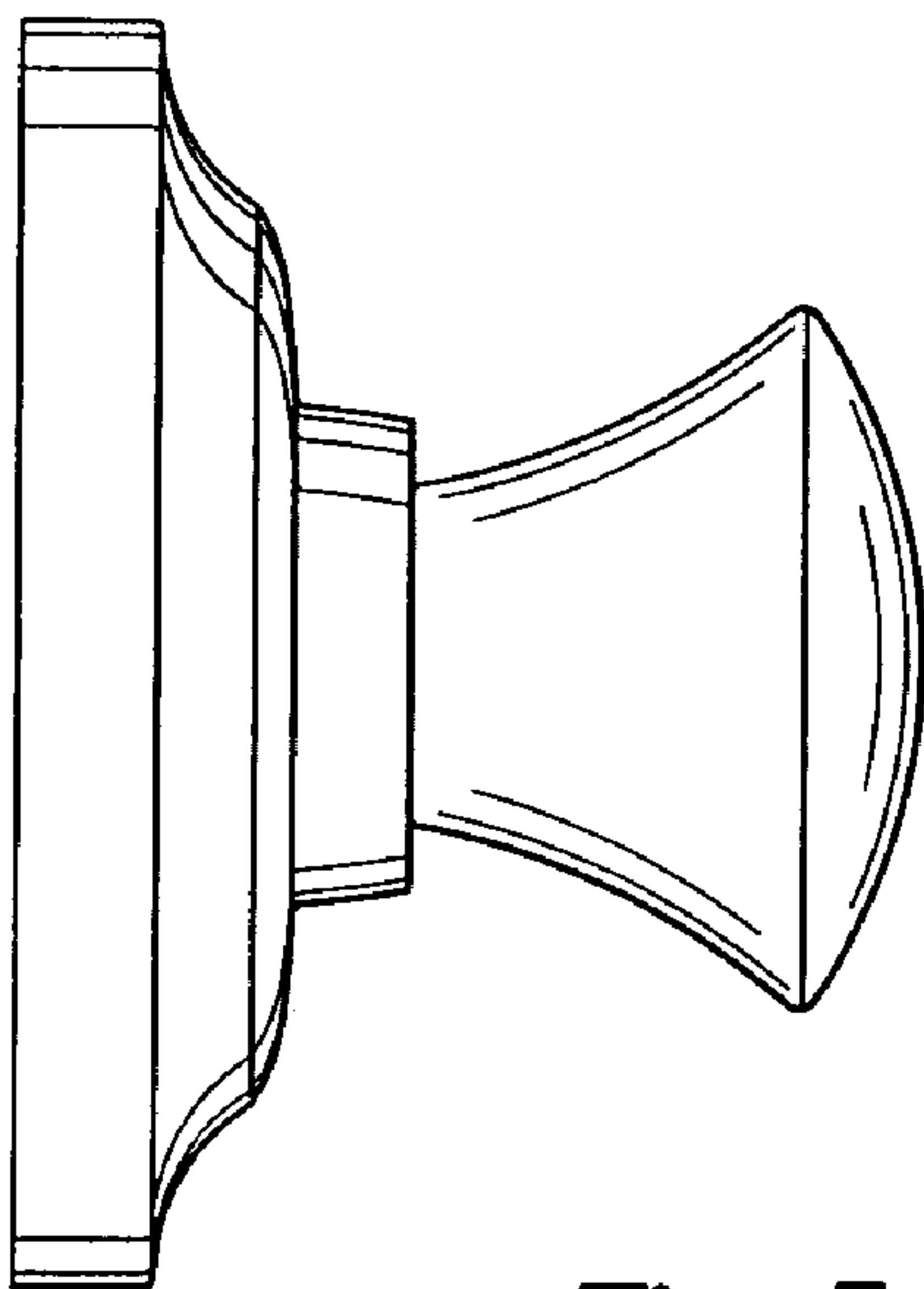


Fig-3