



US00D543707S

(12) **United States Design Patent**
Chan

(10) **Patent No.:** **US D543,707 S**

(45) **Date of Patent:** **** Jun. 5, 2007**

(54) **TRI-FOLD MIRROR**

D483,575 S * 12/2003 Chan D6/310
D506,319 S * 6/2005 Chan D6/310

(75) Inventor: **Sik Leung Chan**, Tsuen Wan (HK)

* cited by examiner

(73) Assignee: **C.C.&L Company Limited**, Tsuen Wan, N.T. (HK)

Primary Examiner—Caron D. Veynar

Assistant Examiner—Sydney R. Buffalow

(**) Term: **14 Years**

(74) *Attorney, Agent, or Firm*—Daniel P. Burke & Associates, PLLC

(21) Appl. No.: **29/220,386**

(57) **CLAIM**

(22) Filed: **Dec. 29, 2004**

The ornamental design for a tri-fold mirror, as shown and described.

(51) **LOC (8) Cl.** **06-07**

(52) **U.S. Cl.** **D6/312**

(58) **Field of Classification Search** D6/300–314,
D6/444; 40/700, 711, 714–716, 719–722,
40/735, 738, 744, 754, 765, 768, 769, 790,
40/798, 597; D20/29–32; D11/131, 133,
D11/134, 135; 359/838, 871; 248/466–467;
D28/83

DESCRIPTION

See application file for complete search history.

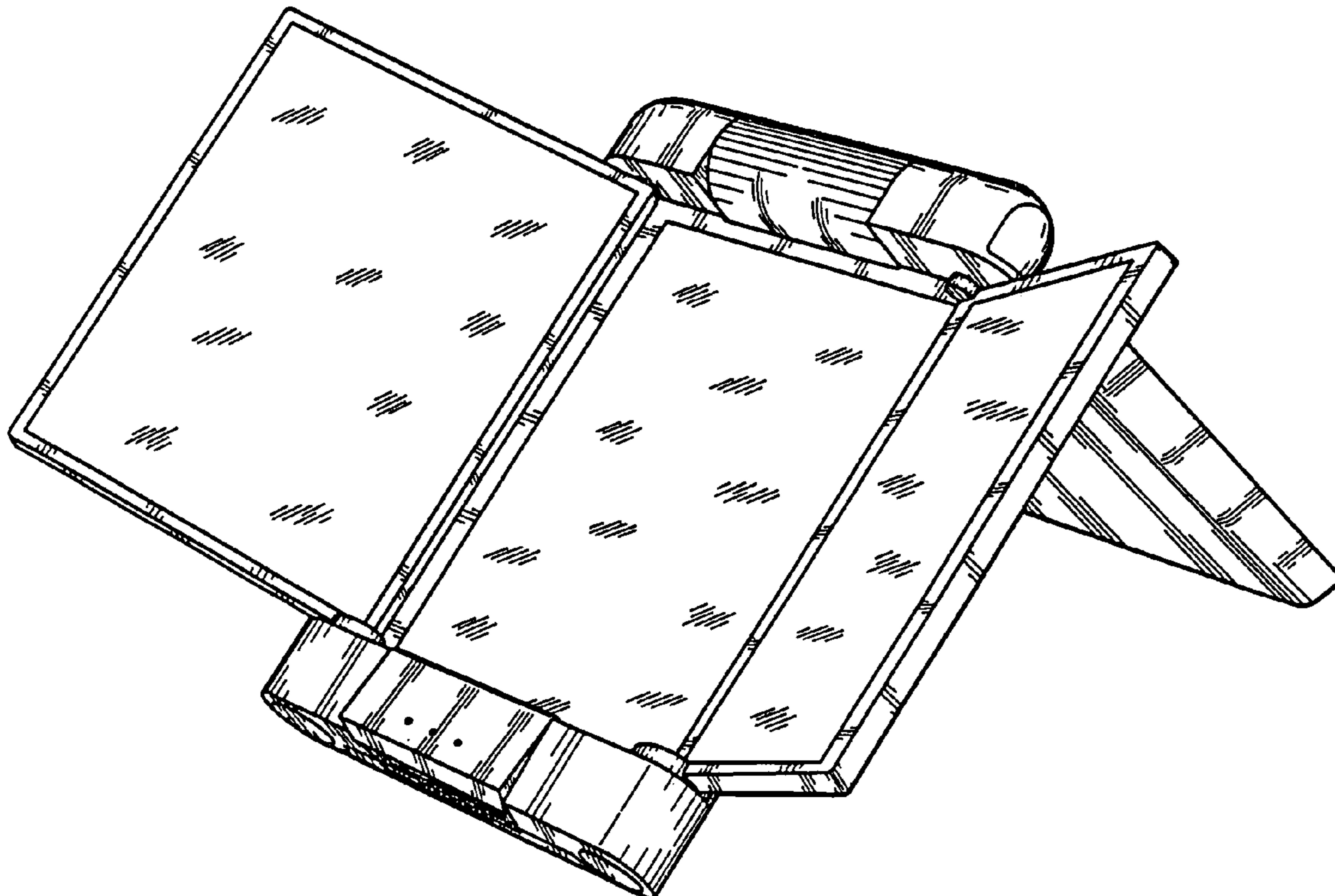
FIG. 1 is a perspective view;
FIG. 2 is a front elevational view;
FIG. 3 is a rear elevational view;
FIG. 4 is a left side view (the right being a mirror image thereof);
FIG. 5 is a bottom plan view (the underside as it sits on a table);
FIG. 6 is a top plan view (looking down from above as it sits on a table); and,
FIG. 7 is a perspective view of the mirror in a closed state.

(56) **References Cited**

U.S. PATENT DOCUMENTS

- D213,240 S * 1/1969 Litner D6/308
- D283,853 S * 5/1986 Wistrand D6/308
- D304,712 S * 11/1989 Cheung D12/191
- D321,360 S * 11/1991 Cheng D16/229
- D450,022 S * 11/2001 Nagayama D12/187

1 Claim, 7 Drawing Sheets



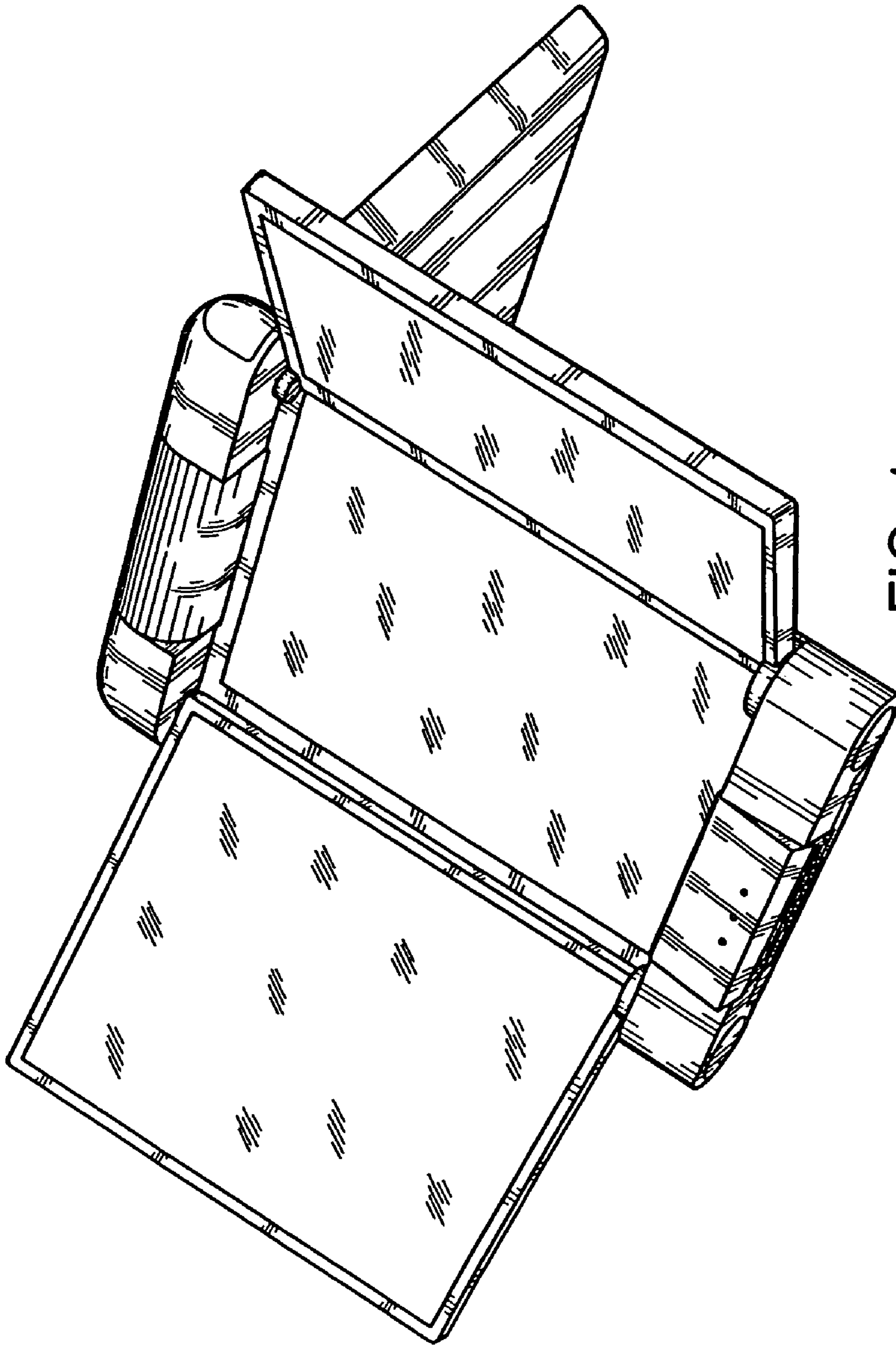


FIG. 1

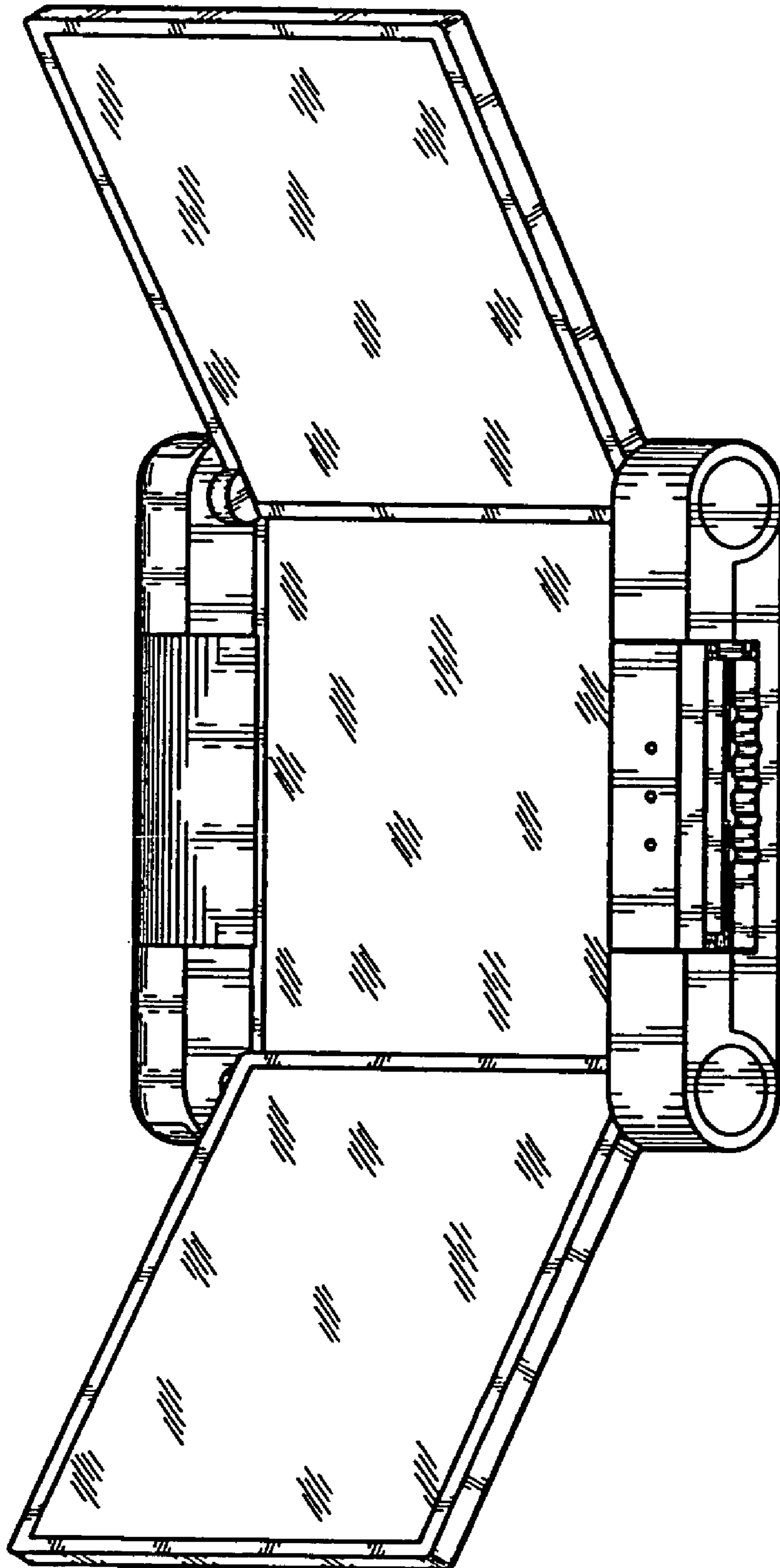


FIG. 2

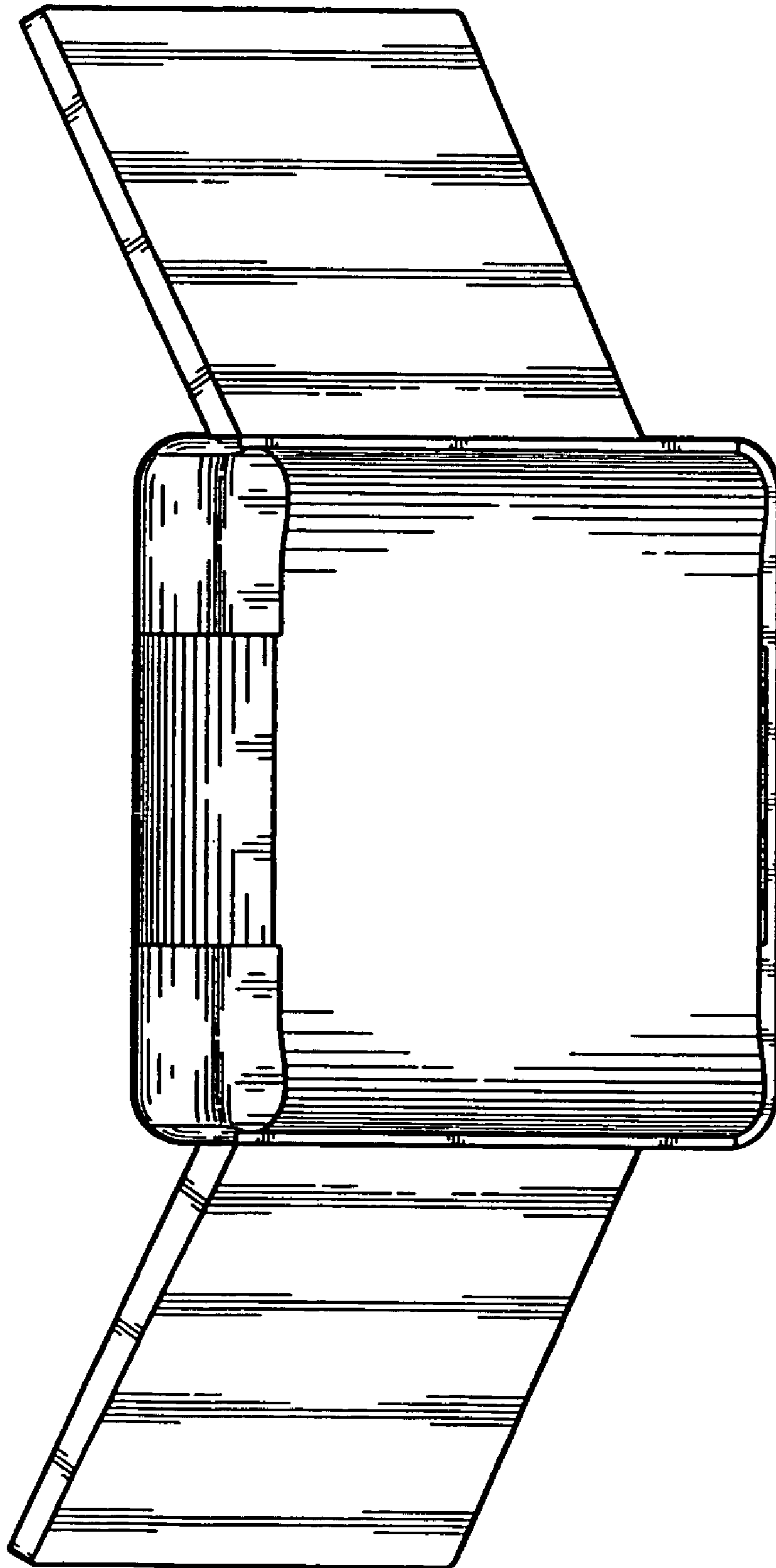


FIG. 3

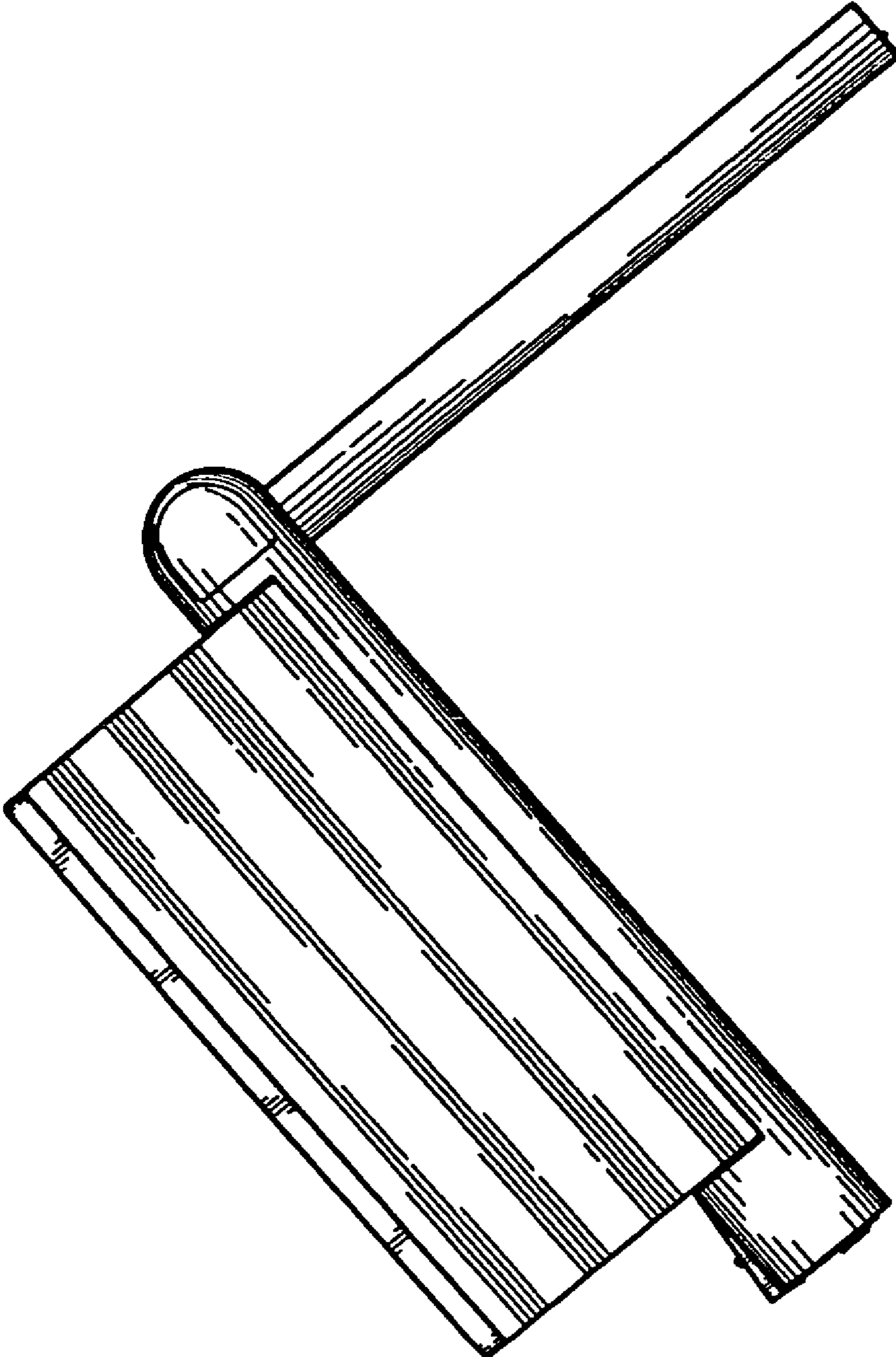


FIG. 4

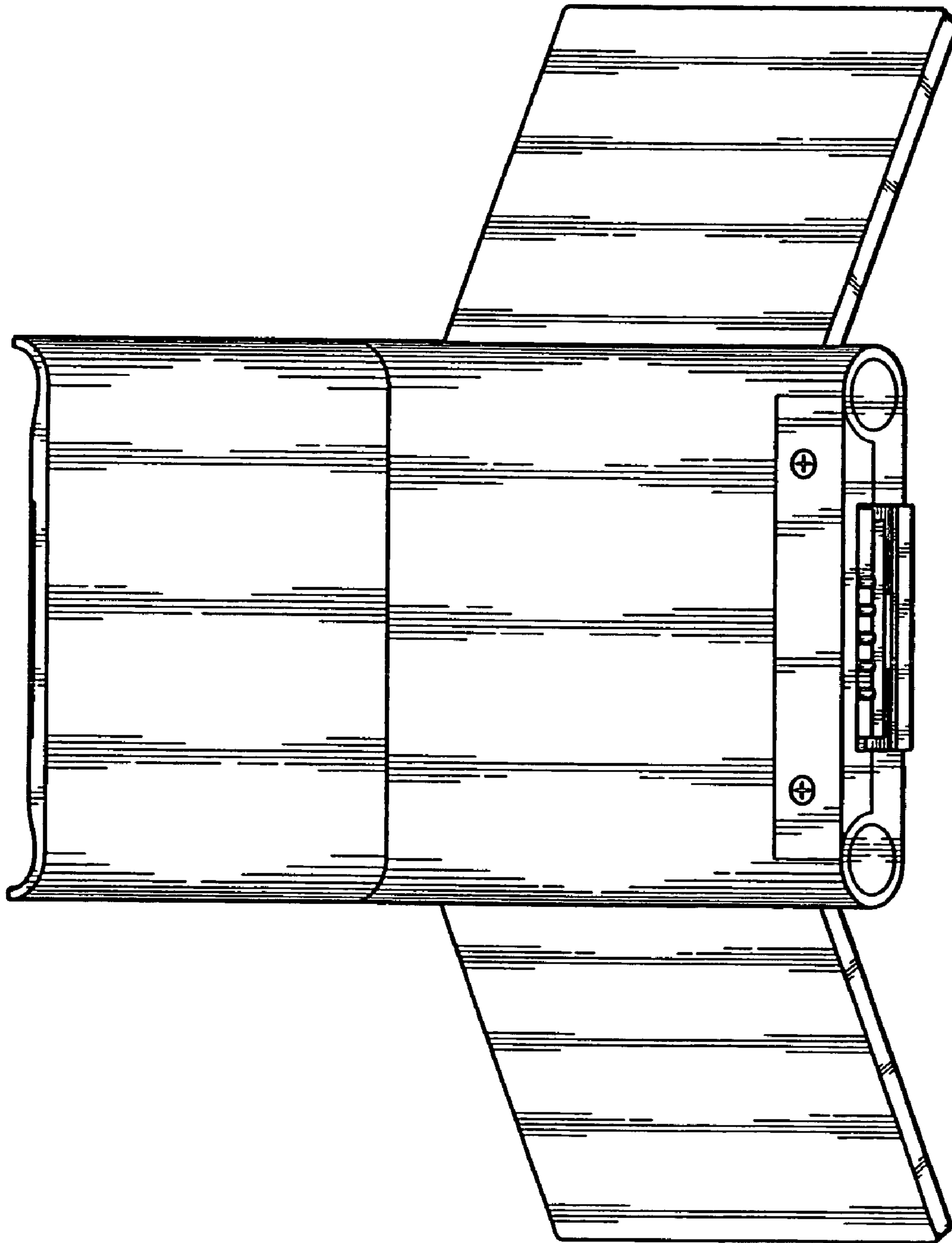


FIG. 5

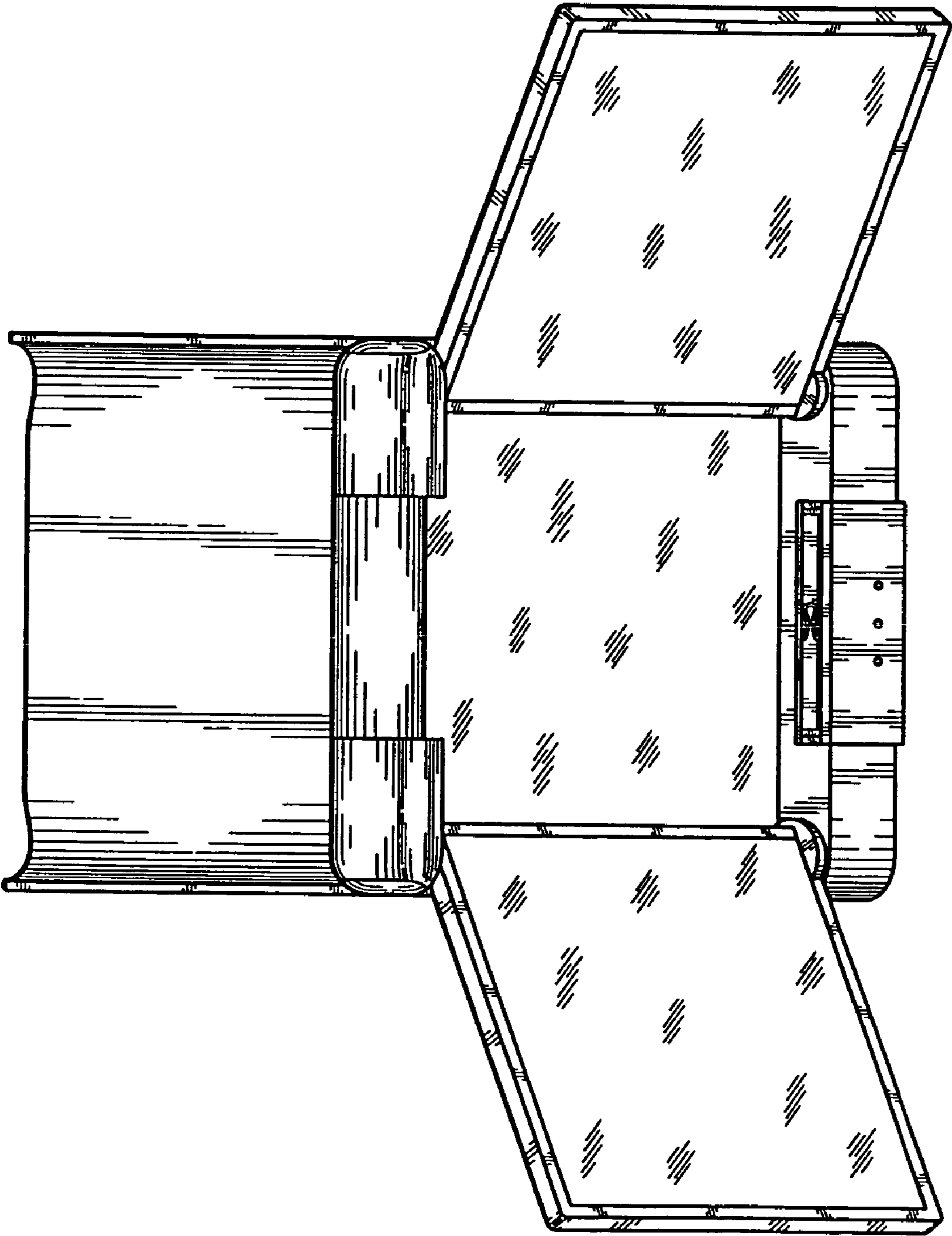


FIG. 6

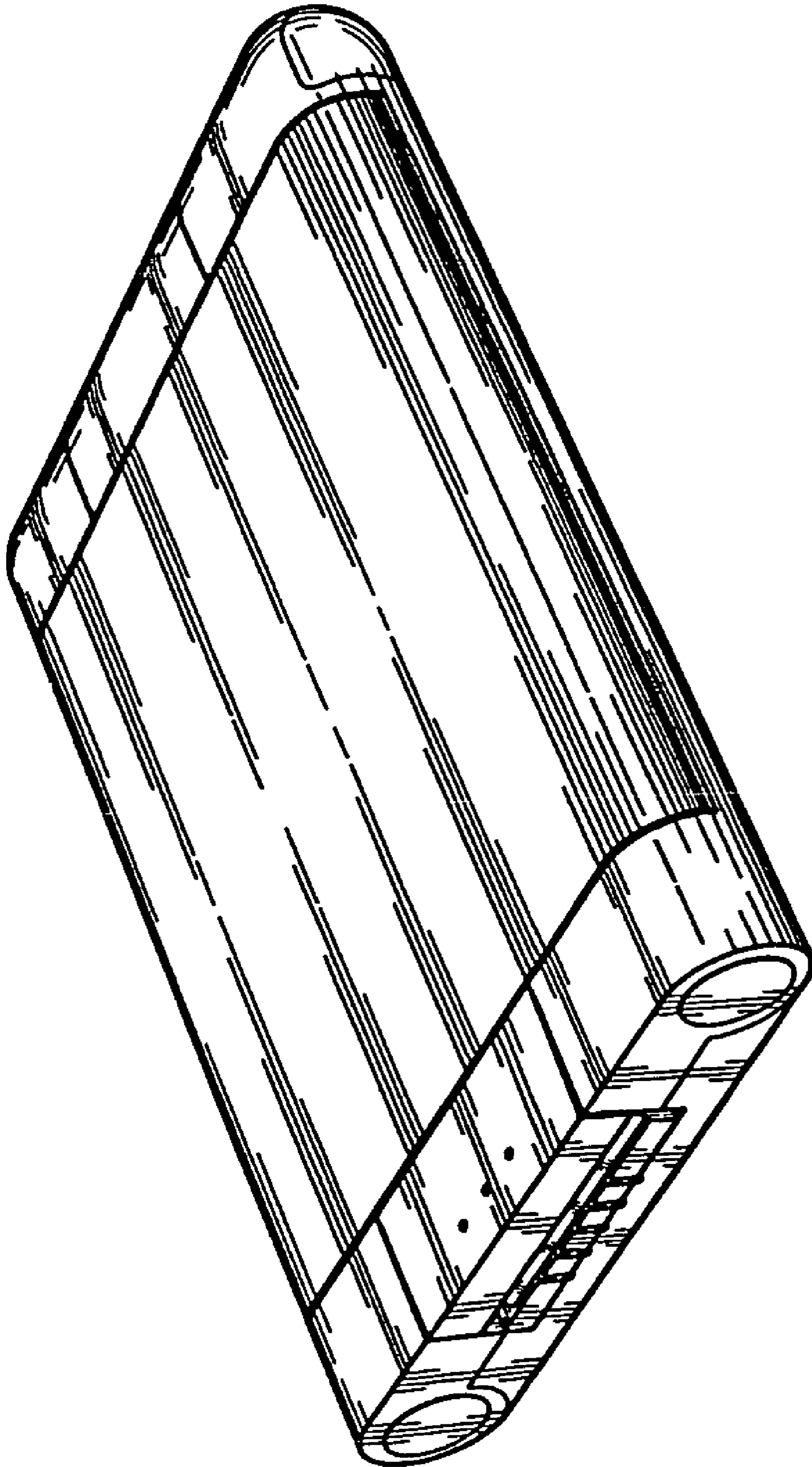


FIG. 7