

US00D543700S

(12) **United States Design Patent**  
**Parker et al.**

(10) **Patent No.:** **US D543,700 S**  
(45) **Date of Patent:** **\*\* Jun. 5, 2007**

(54) **NOTEBOOK COMPUTER CASE**

(75) Inventors: **David H. Parker**, Torrance, CA (US);  
**Kevin Deighton**, Long Beach, CA  
(US); **John Paul Hoven**, Manhattan  
Beach, CA (US)

(73) Assignee: **Pelican Products, Inc.**, Torrance, CA  
(US)

(\*\*) Term: **14 Years**

(21) Appl. No.: **29/230,197**

(22) Filed: **May 17, 2005**

(51) **LOC (8) Cl.** ..... **03-01**

(52) **U.S. Cl.** ..... **D3/294; D3/900; D14/315**

(58) **Field of Classification Search** ..... D3/201,  
D3/269, 273-274, 283, 294-295, 318, 323,  
D3/326, 900; D14/315, 328, 345, 440; D18/11;  
190/100, 110-113, 127; 206/320  
See application file for complete search history.

(56) **References Cited**

**U.S. PATENT DOCUMENTS**

D270,387 S *	8/1983	Rutherford	.....	D28/83
D275,822 S *	10/1984	Gatland et al.	.....	D3/282
D283,950 S *	5/1986	Markowitz	.....	D3/247
D310,099 S *	8/1990	Chapman et al.	.....	D19/26
D343,121 S *	1/1994	Liska	.....	D9/423
D353,048 S *	12/1994	VanSkiver et al.	.....	D3/276
5,452,793 A *	9/1995	DiMeo et al.	.....	206/39
D365,206 S *	12/1995	Goodman	.....	D3/273
5,607,054 A *	3/1997	Hollingsworth	.....	206/320
D419,297 S *	1/2000	Richardson et al.	.....	D3/273
D419,768 S *	2/2000	Richardson et al.	.....	D3/273
D423,772 S *	5/2000	Cooper et al.	.....	D3/218
6,131,734 A *	10/2000	Hollingsworth et al.	.....	206/320
D435,591 S *	12/2000	Wyant	.....	D19/27
D439,407 S *	3/2001	Parker	.....	D3/276
6,267,236 B1 *	7/2001	Seok	.....	206/320
D464,196 S *	10/2002	Parker	.....	D3/273
D465,330 S *	11/2002	Parker	.....	D3/273

D479,630 S *	9/2003	Lai	.....	D28/83
D500,204 S *	12/2004	Hillman	.....	D3/301
D500,316 S *	12/2004	Lynch et al.	.....	D14/345
D510,389 S *	10/2005	Shamoon	.....	D19/88
D515,588 S *	2/2006	Kirkwood	.....	D14/440
D523,428 S *	6/2006	Ozias et al.	.....	D14/315

**OTHER PUBLICATIONS**

PELICAN 1080 HardBack Case (with Computer Case Liner).  
Downloaded Oct. 24, 2006 at <http://www.itcelectronics.com/pcprodDisplay.asp?CatID=1654&ProdID=11984>.\*

Pelican Protector Hardback Case 1080. Downloaded Oct. 25, 2006  
at <http://www.pelican-case.com/1080-laptop-cases-by-pelican.html>.\*

\* cited by examiner

*Primary Examiner*—Philip S. Hyder

*Assistant Examiner*—RoseLynne (Ulm) Cody

(74) *Attorney, Agent, or Firm*—Greenberg Traurig, LLP

(57) **CLAIM**

The ornamental design for a notebook computer case, as shown and described.

**DESCRIPTION**

FIG. 1 is a front perspective view of a notebook computer case showing our new design;

FIG. 2 is a rear elevational view of the notebook computer case of FIG. 1;

FIG. 3 is a left side view of the notebook computer case of FIG. 1;

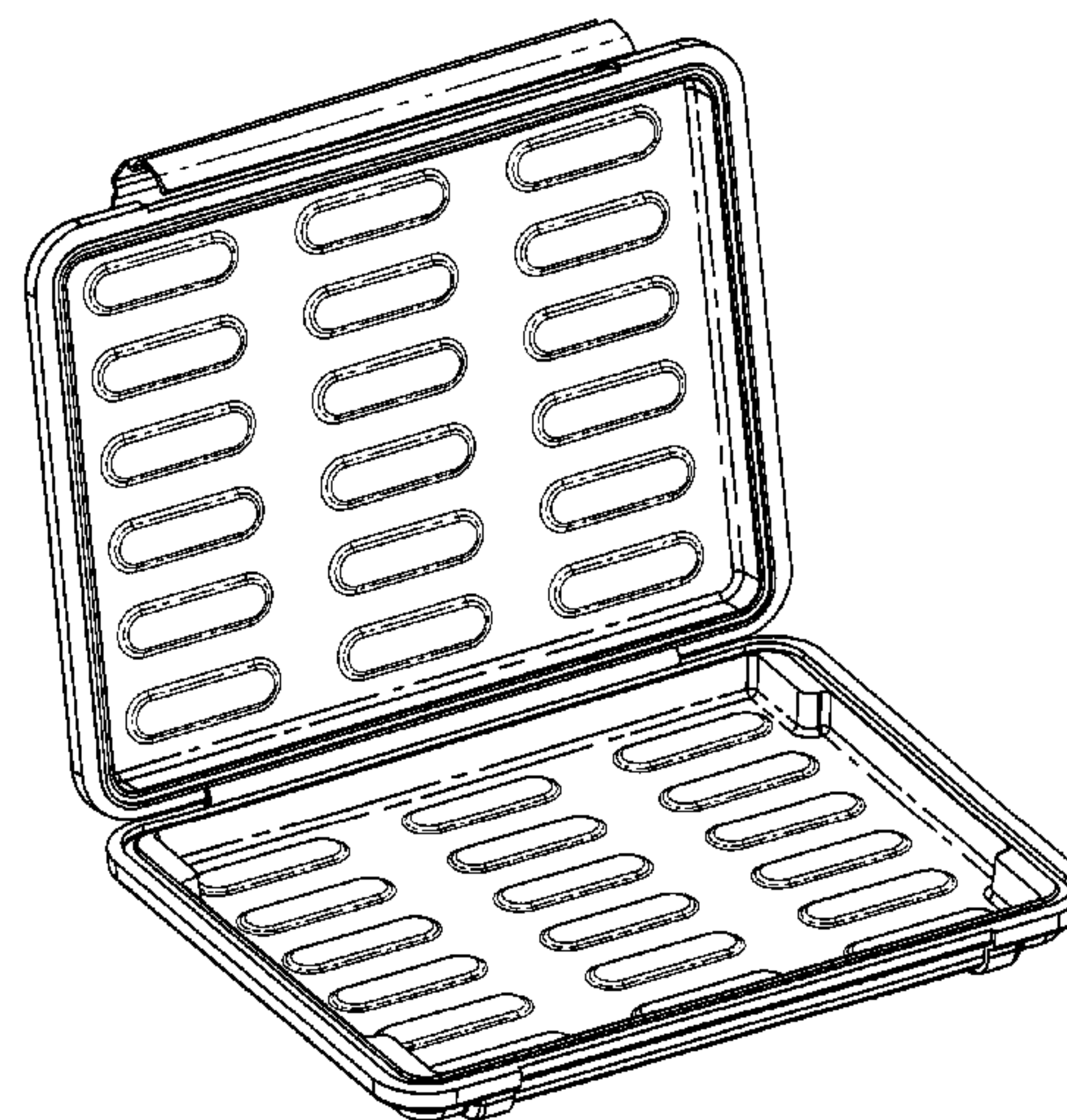
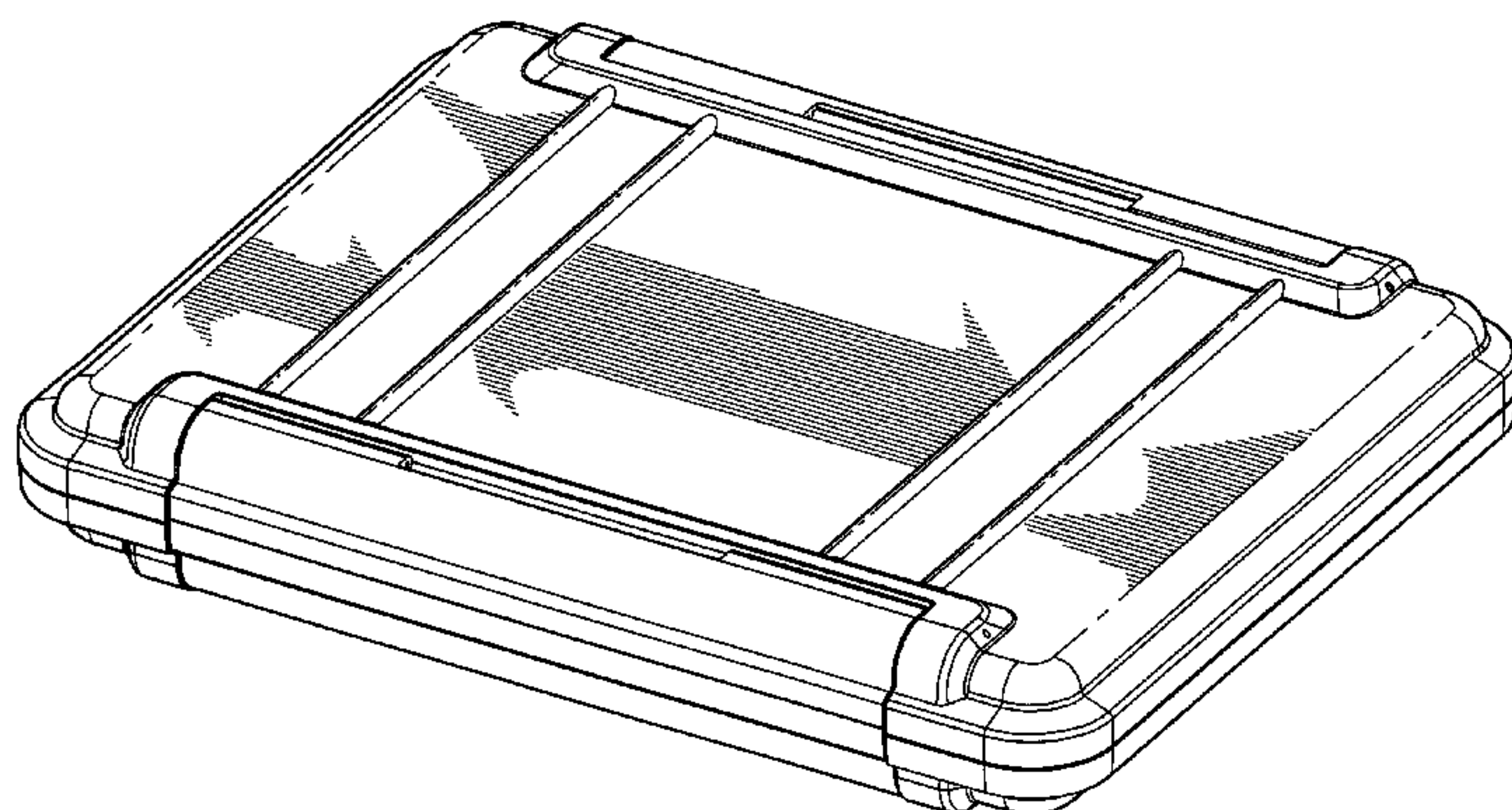
FIG. 4 is a top plan view of the notebook computer case of FIG. 1;

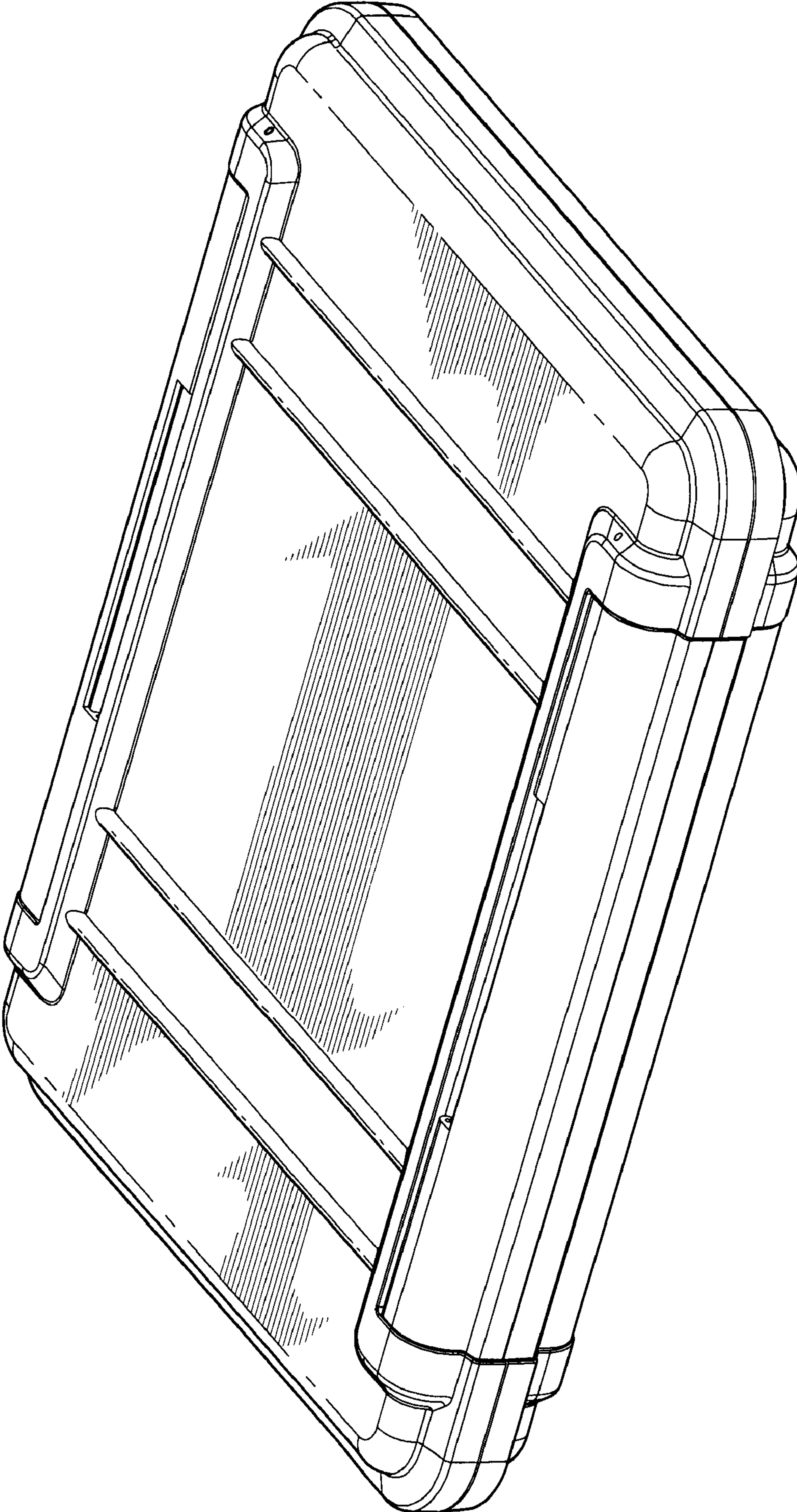
FIG. 5 is a right side view of the notebook computer case of FIG. 1;

FIG. 6 is a front elevational view of the notebook computer case of FIG. 1; and,

FIG. 7 is a perspective view of the notebook computer case of FIG. 1 in open position.

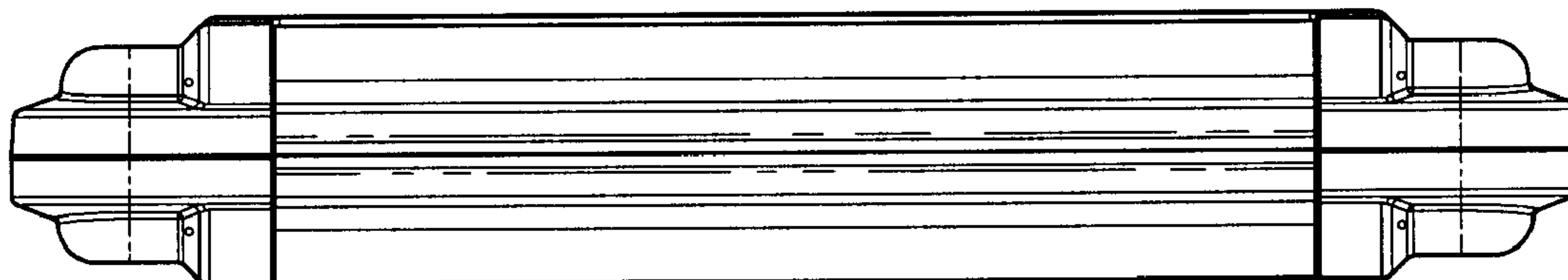
**1 Claim, 4 Drawing Sheets**



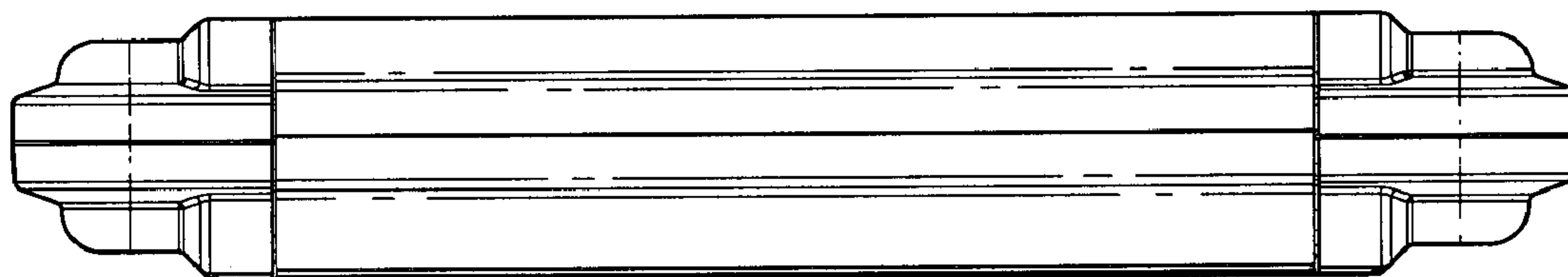


*FIG. 1*





*FIG. 2*



*FIG. 6*

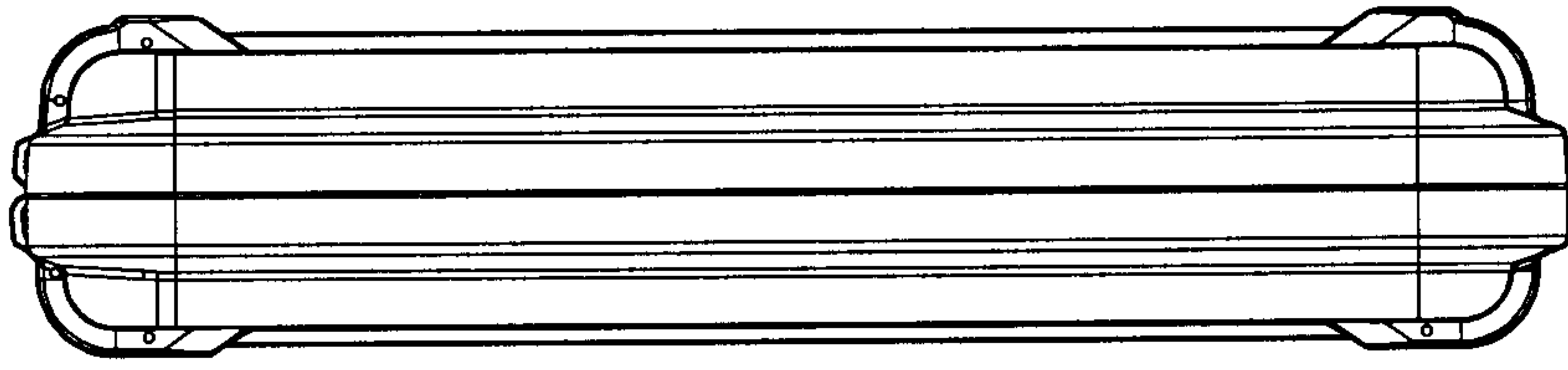


FIG. 5

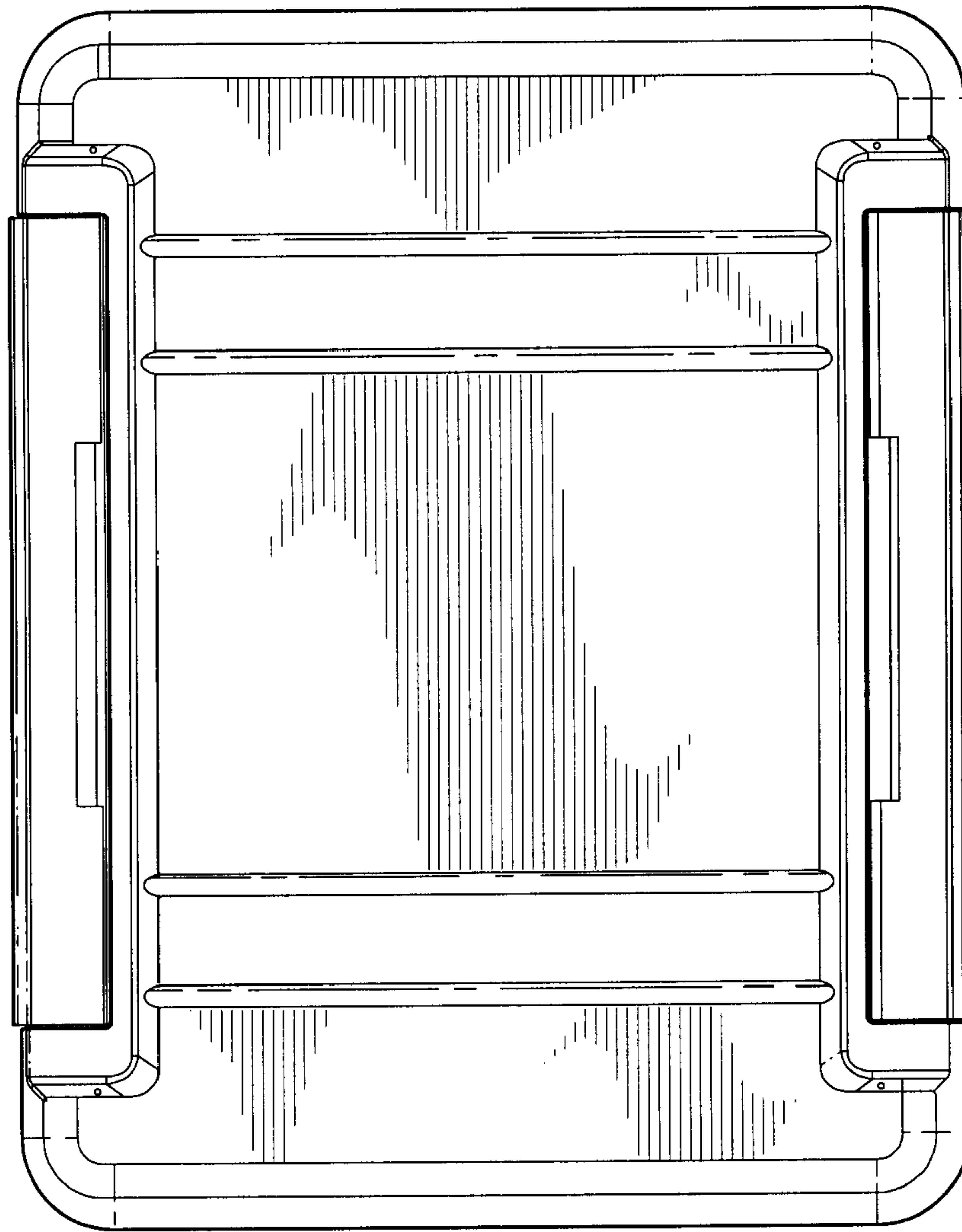


FIG. 4

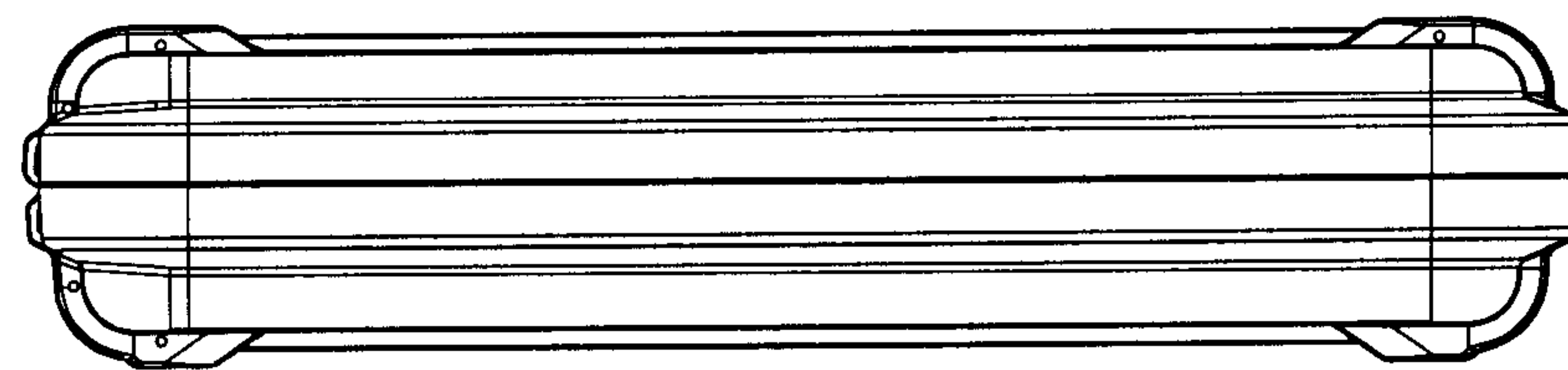


FIG. 3

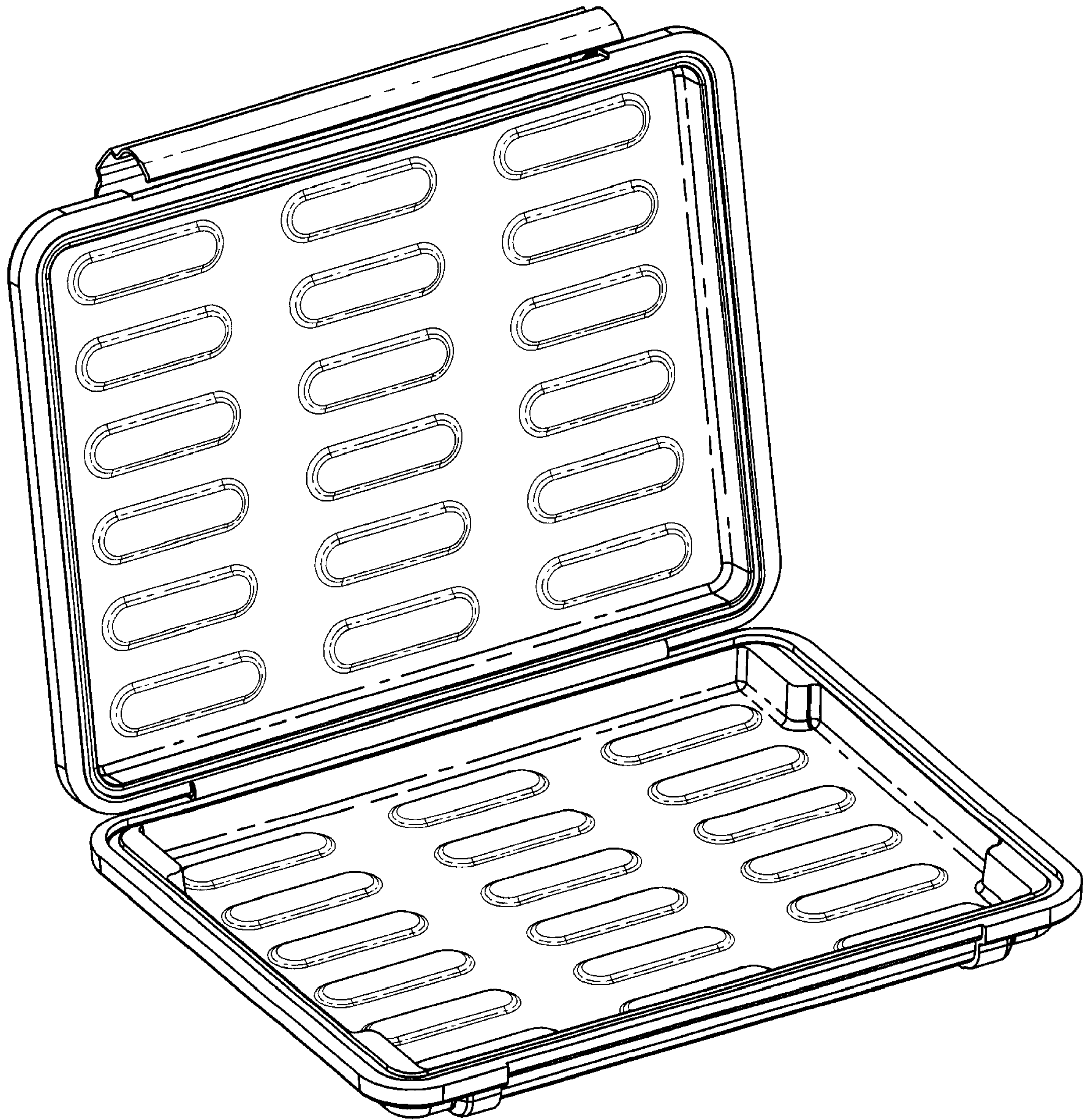


FIG. 7