



US00D543698S

(12) **United States Design Patent**  
**Anderson**

(10) **Patent No.:** **US D543,698 S**

(45) **Date of Patent:** **\*\* Jun. 5, 2007**

(54) **BENTO BOX SHAPED PURSE**

(76) Inventor: **Jennifer Anderson**, 2410 3<sup>rd</sup> Ave.,  
West, Seattle, WA (US) 98119

(\*\*) Term: **14 Years**

(21) Appl. No.: **29/241,045**

(22) Filed: **Oct. 20, 2005**

(51) **LOC (8) Cl.** ..... **03-01**

(52) **U.S. Cl.** ..... **D3/234**

(58) **Field of Classification Search** ..... D3/201,  
D3/205, 226, 230–246, 254, 276, 289, 303,  
D3/305, 322, 324, 327, 901–903; 190/113,  
190/1, 100, 119, 102–110, 112, 115; 150/110–115,  
150/117–122, 127, 128, 130, 190, 197, 900,  
150/902, 903

See application file for complete search history.

(56) **References Cited**

**U.S. PATENT DOCUMENTS**

|             |   |         |            |       |         |
|-------------|---|---------|------------|-------|---------|
| D165,239 S  | * | 11/1951 | Pichel     | ..... | D3/242  |
| D167,197 S  | * | 7/1952  | Chappell   | ..... | D3/242  |
| 2,937,680 A | * | 5/1960  | Dumas      | ..... | 150/116 |
| 3,537,552 A | * | 11/1970 | Noble      | ..... | 190/111 |
| D330,113 S  | * | 10/1992 | Faust      | ..... | D3/274  |
| D355,301 S  | * | 2/1995  | Tumulty    | ..... | D3/289  |
| D406,462 S  | * | 3/1999  | Emery, III | ..... | D3/276  |

6,179,102 B1 \* 1/2001 Weber et al. .... 190/109

\* cited by examiner

*Primary Examiner*—Louis S. Zarfes

*Assistant Examiner*—Kathleen Sims

(74) *Attorney, Agent, or Firm*—Gary L. Eastman

(57) **CLAIM**

The original design for a bento box shaped purse, as shown and described.

**DESCRIPTION**

FIG. 1 is a top perspective view of the bento box shaped purse showing my new design in an open configuration; FIG. 2 is a top perspective view showing a closed configuration;

FIG. 3 is a front view;

FIG. 4 is a left side view;

FIG. 5 is a right side view

FIG. 6 is a back view

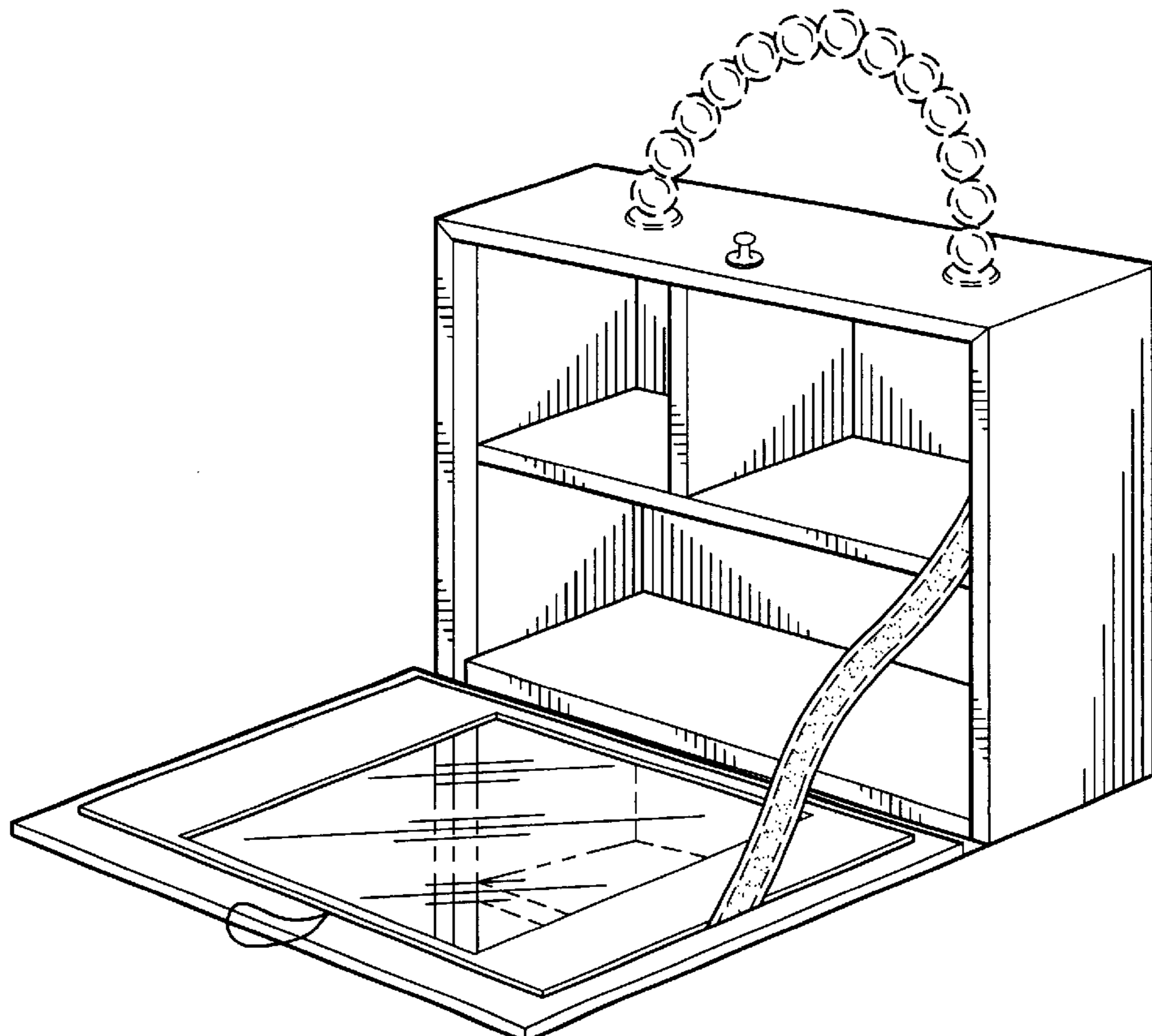
FIG. 7 is a top view; and,

FIG. 8 is a bottom view.

The curved broken line showing of the handle is for illustrative purposes only and forms no part of the claimed design.

The smaller broken lines that represent stitching on the strap are for illustrative purposes only and form no part of the claimed design.

**1 Claim, 4 Drawing Sheets**



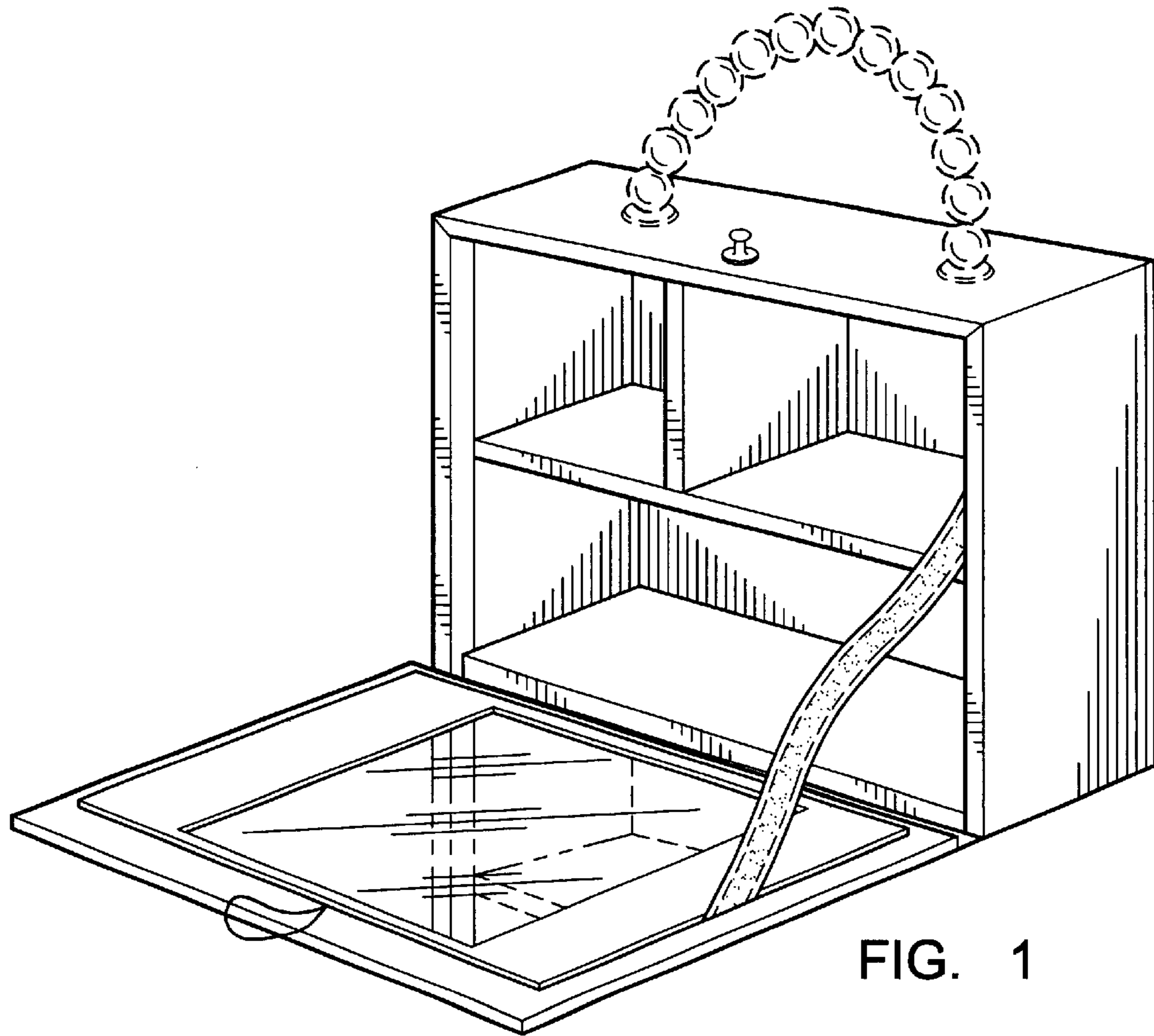


FIG. 1

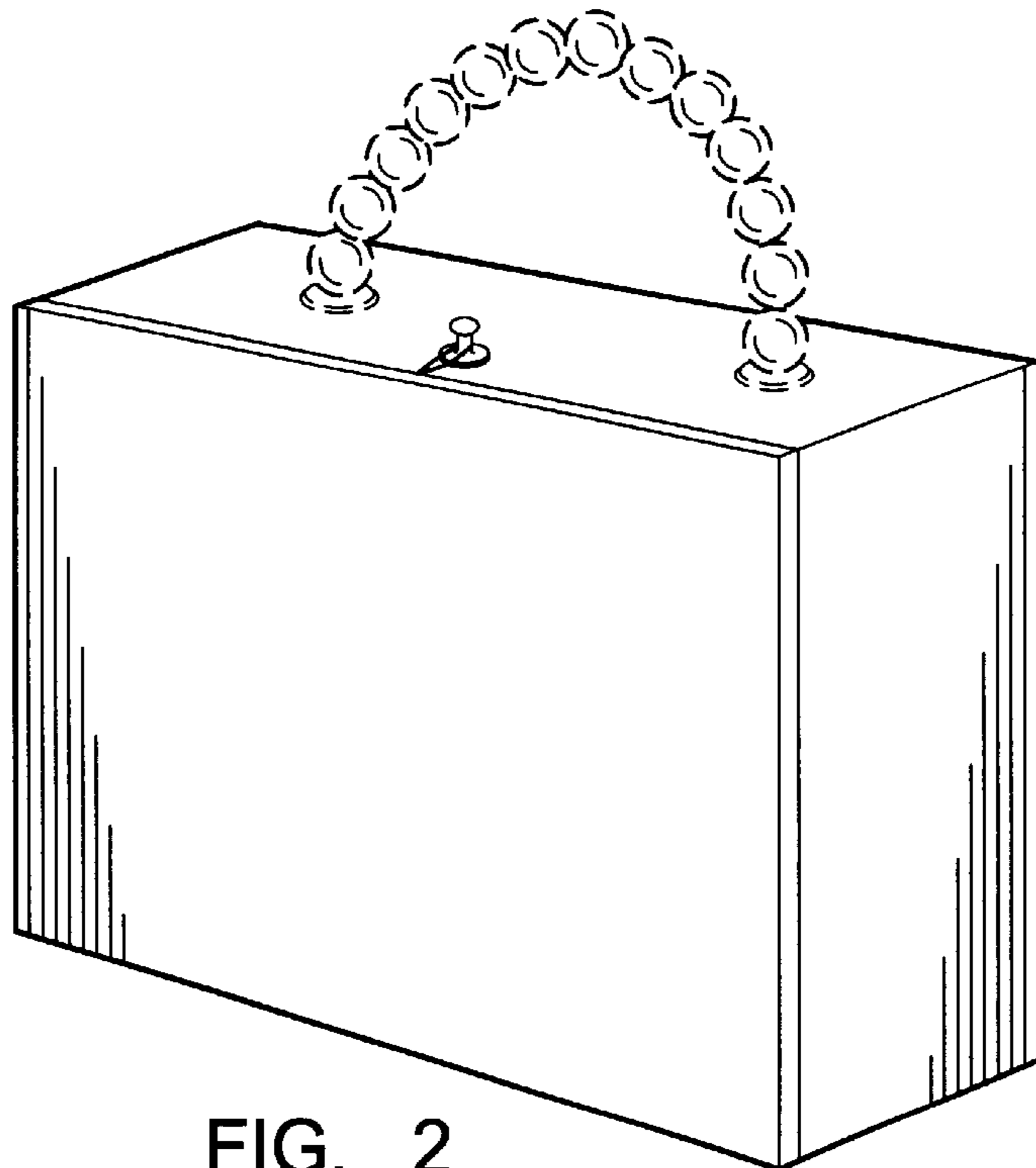


FIG. 2

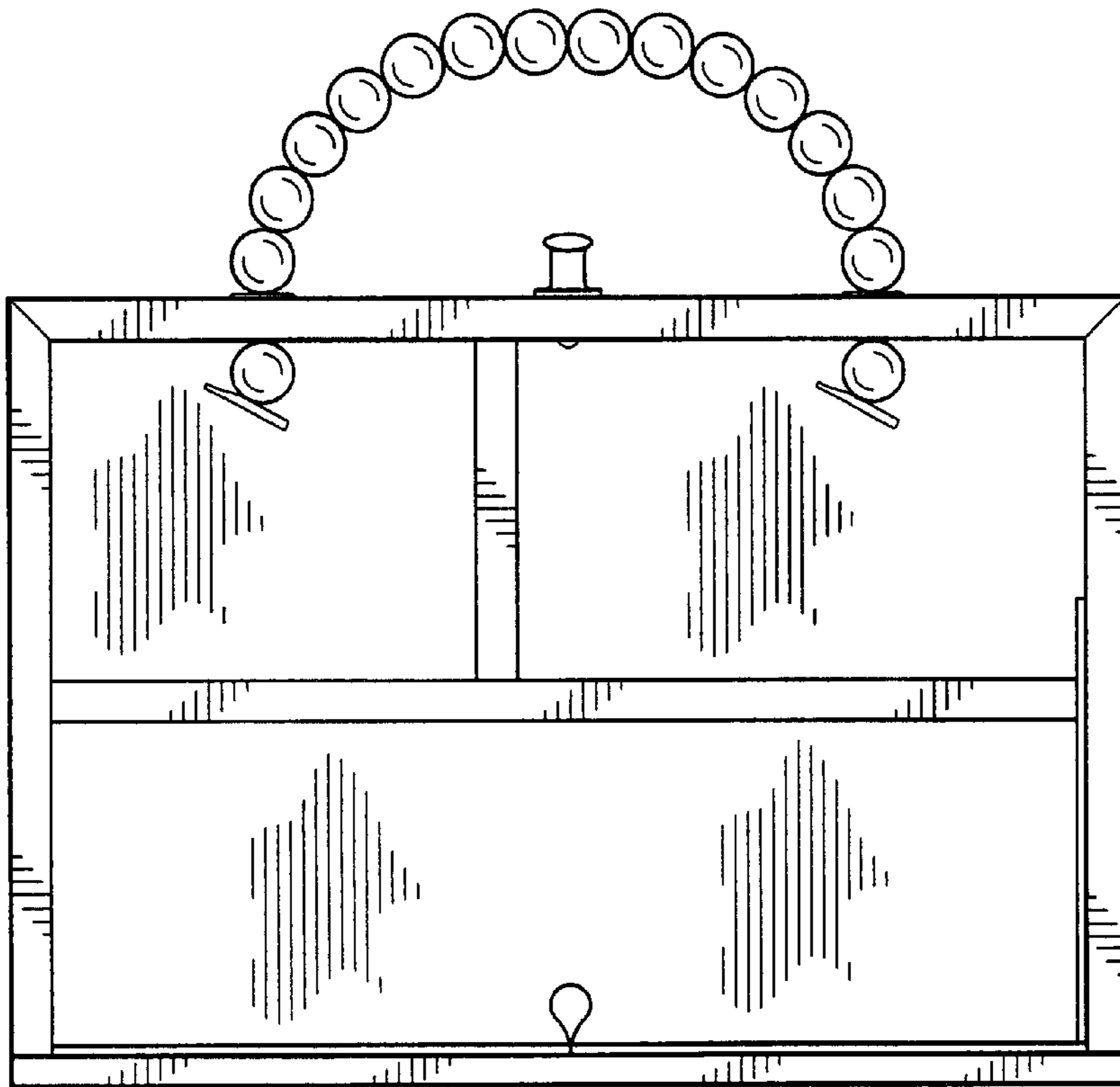


FIG. 3

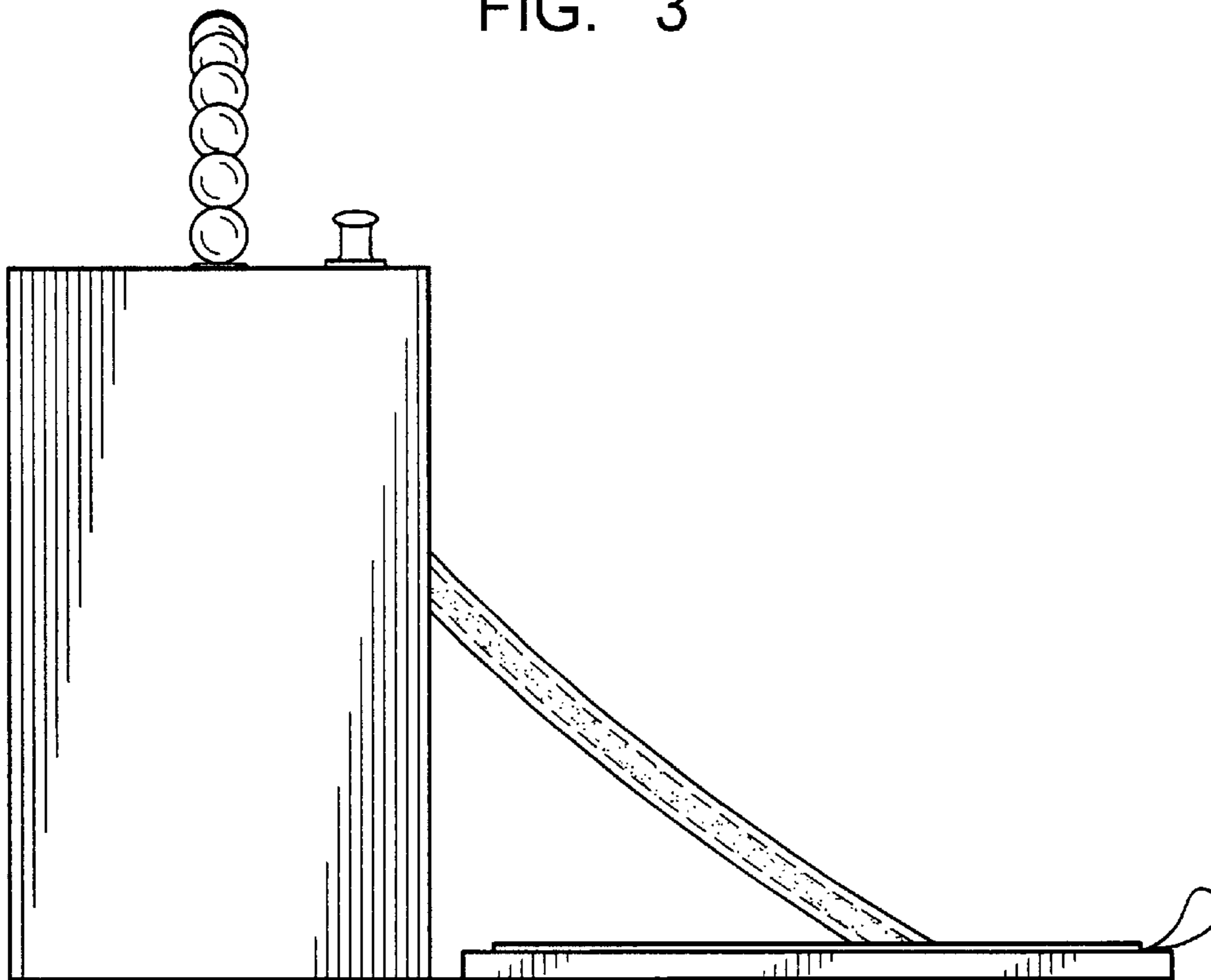


FIG. 4

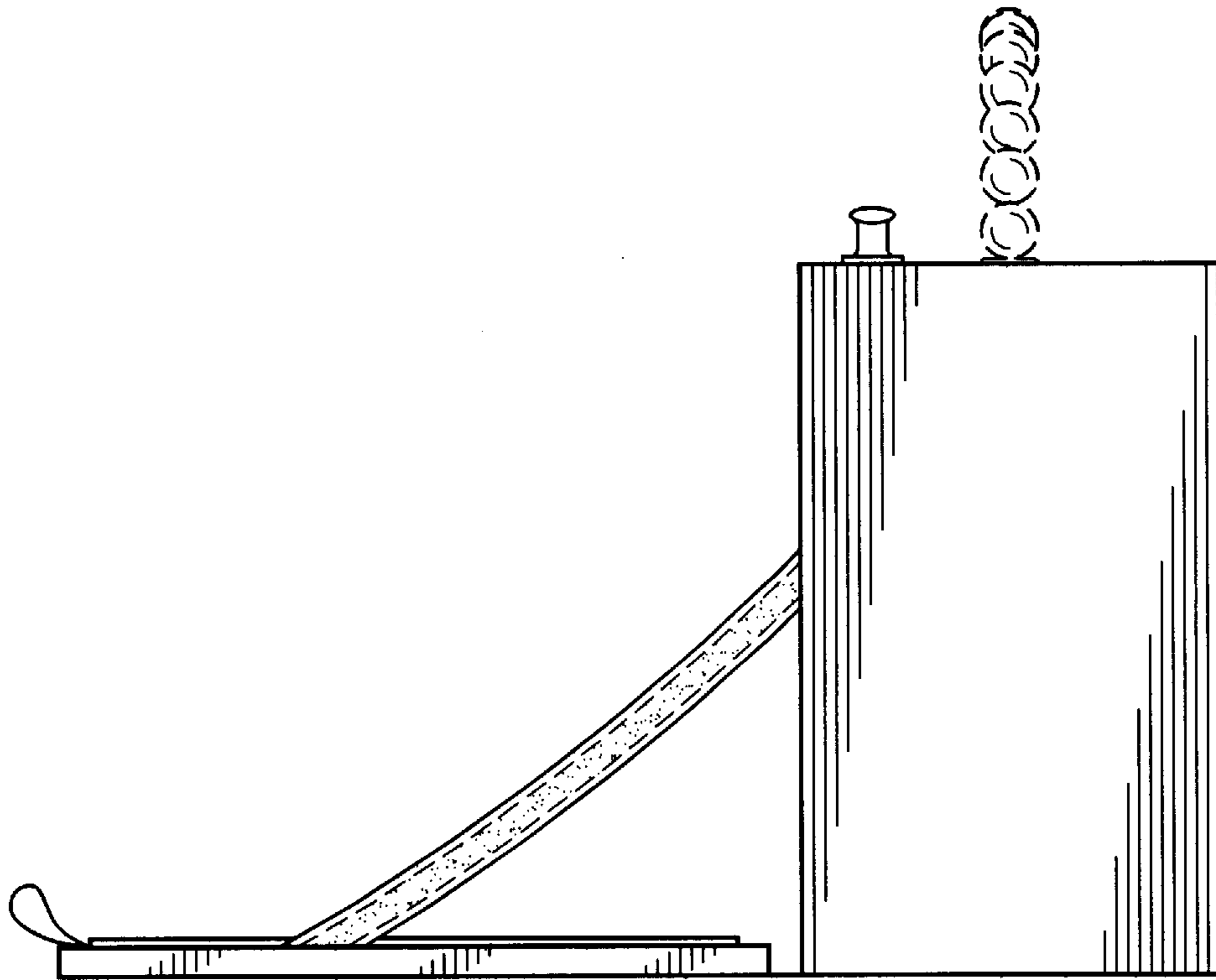


FIG. 5

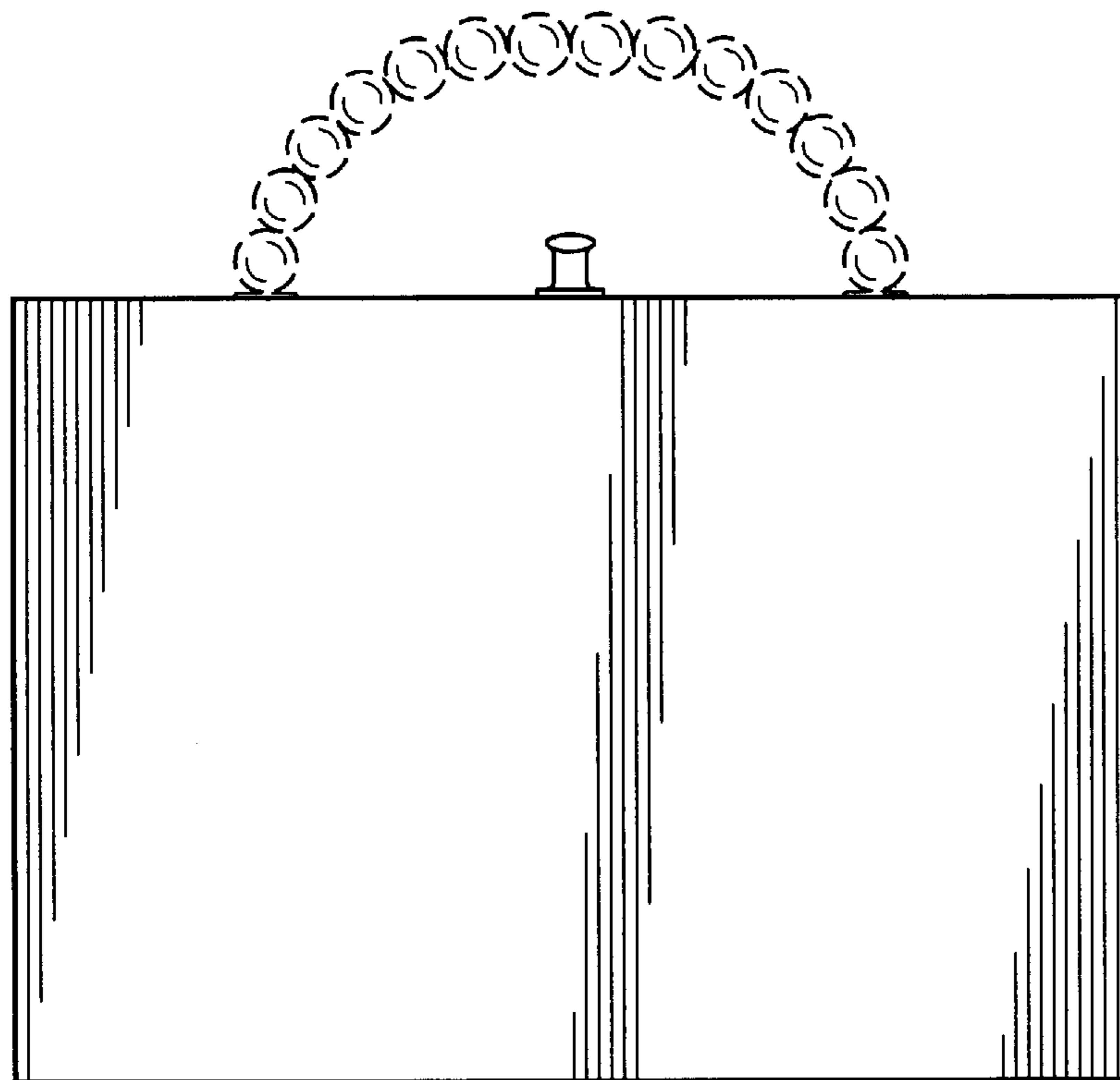


FIG. 6

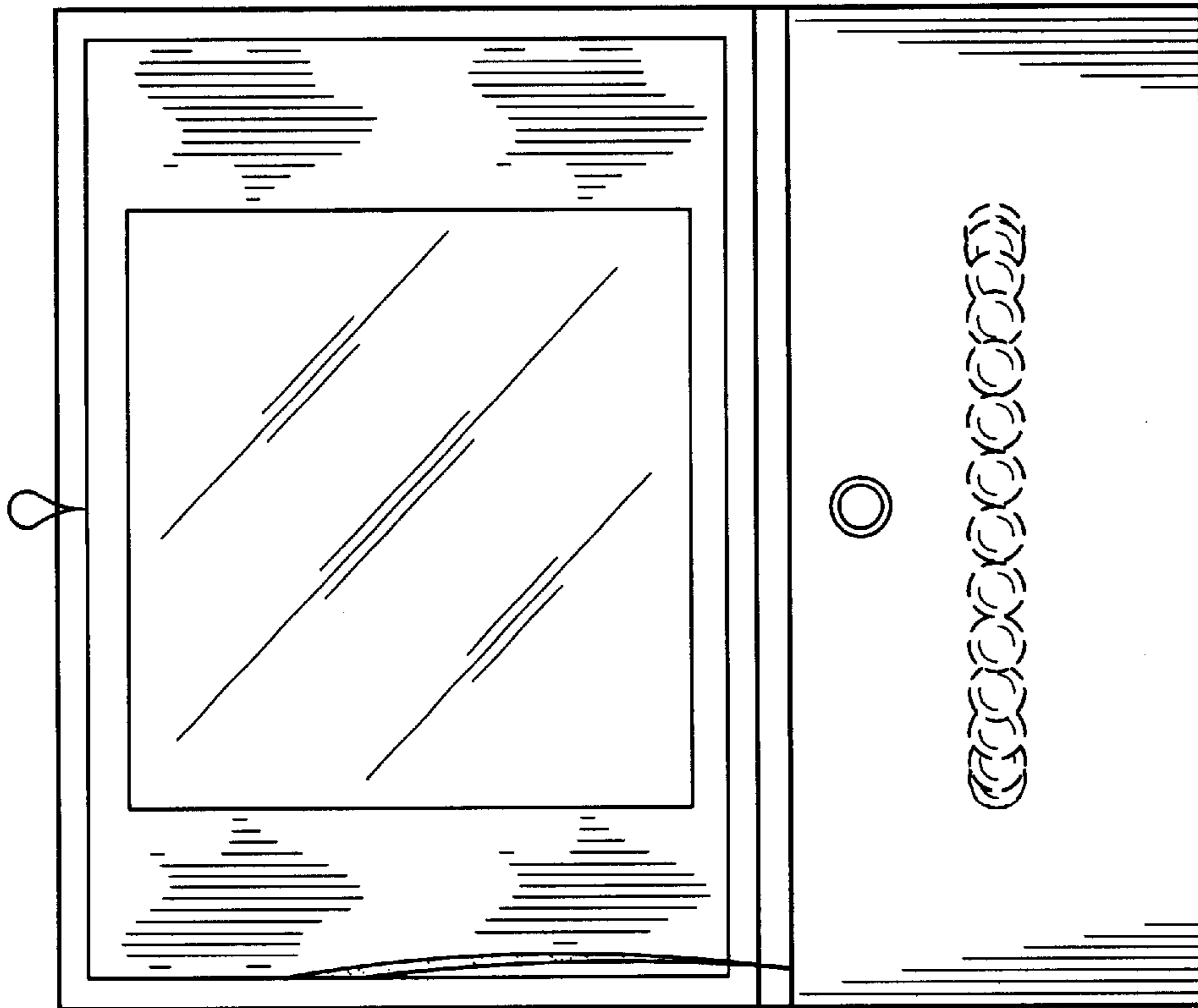


FIG. 7

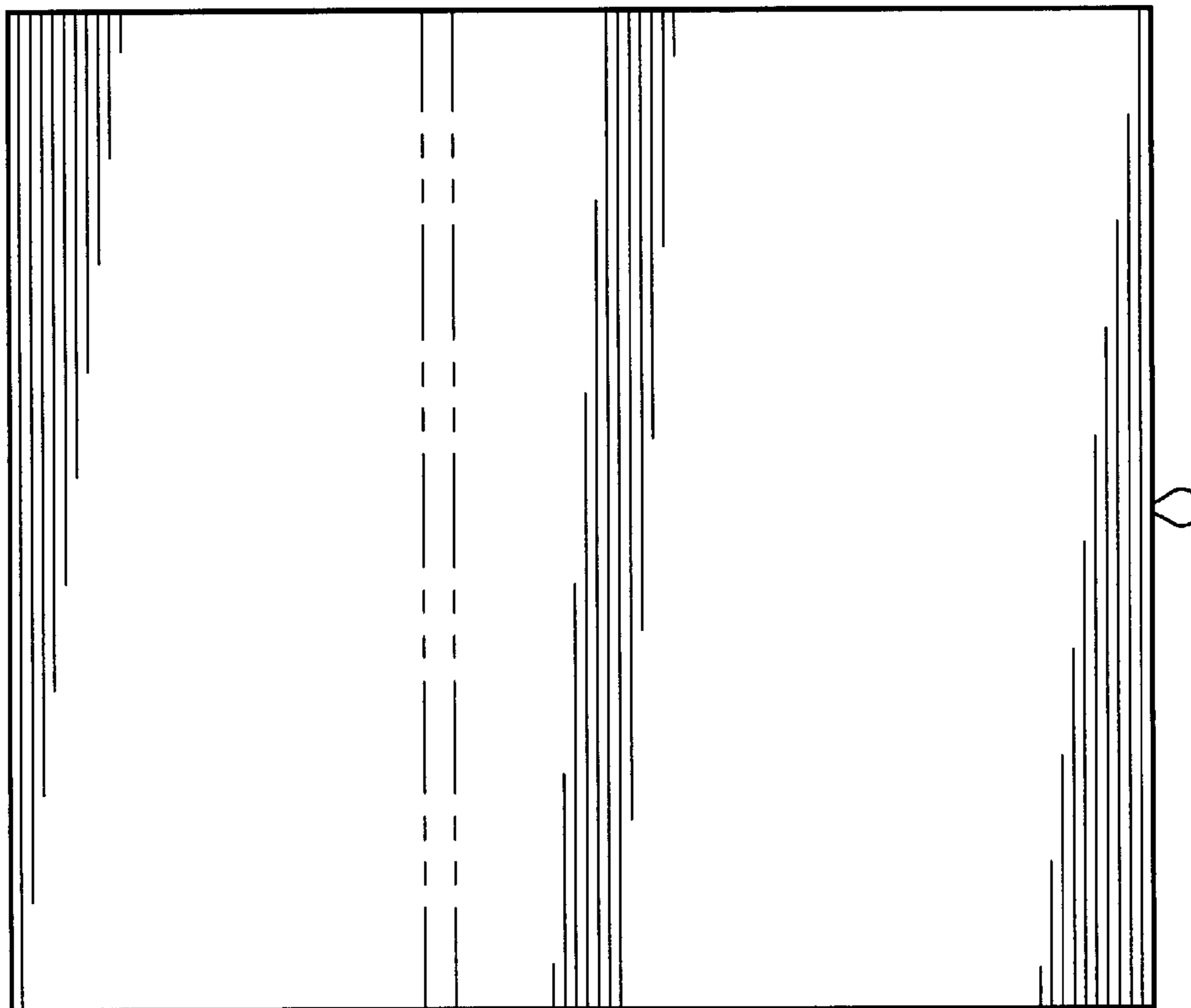


FIG. 8