



US00D543696S

(12) **United States Design Patent**
Dodier

(10) **Patent No.:** **US D543,696 S**
(45) **Date of Patent:** **** Jun. 5, 2007**

(54) **HANDCUFF POUCH**

(75) **Inventor:** **Denis Dodier, Curran (CA)**

(73) **Assignee:** **Her Majesty the Queen in right of Canada as represented by the Royal Canadian Mounted Police, Ottawa (CA)**

(**) **Term:** **14 Years**

(21) **Appl. No.:** **29/267,648**

(22) **Filed:** **Oct. 19, 2006**

(51) **LOC (8) Cl.** **03-01**

(52) **U.S. Cl.** **D3/226**

(58) **Field of Classification Search** D3/226,
D3/221, 224, 228-230, 218-219, 215, 225;
224/914, 901, 904, 240-241, 683-684, 269,
224/162

See application file for complete search history.

(56) **References Cited**

U.S. PATENT DOCUMENTS

D238,629 S * 2/1976 Tibbetts D3/226
D364,038 S * 11/1995 Stanchin D3/230

D459,876 S * 7/2002 Smith D3/226
D484,307 S * 12/2003 Willows et al. D3/226
D490,238 S * 5/2004 Bristel D3/226
2005/0115997 A1 * 6/2005 Nouvel De La Fleche . 224/914

* cited by examiner

Primary Examiner—Catherine R. Oliver
(74) *Attorney, Agent, or Firm*—George A. Seaby

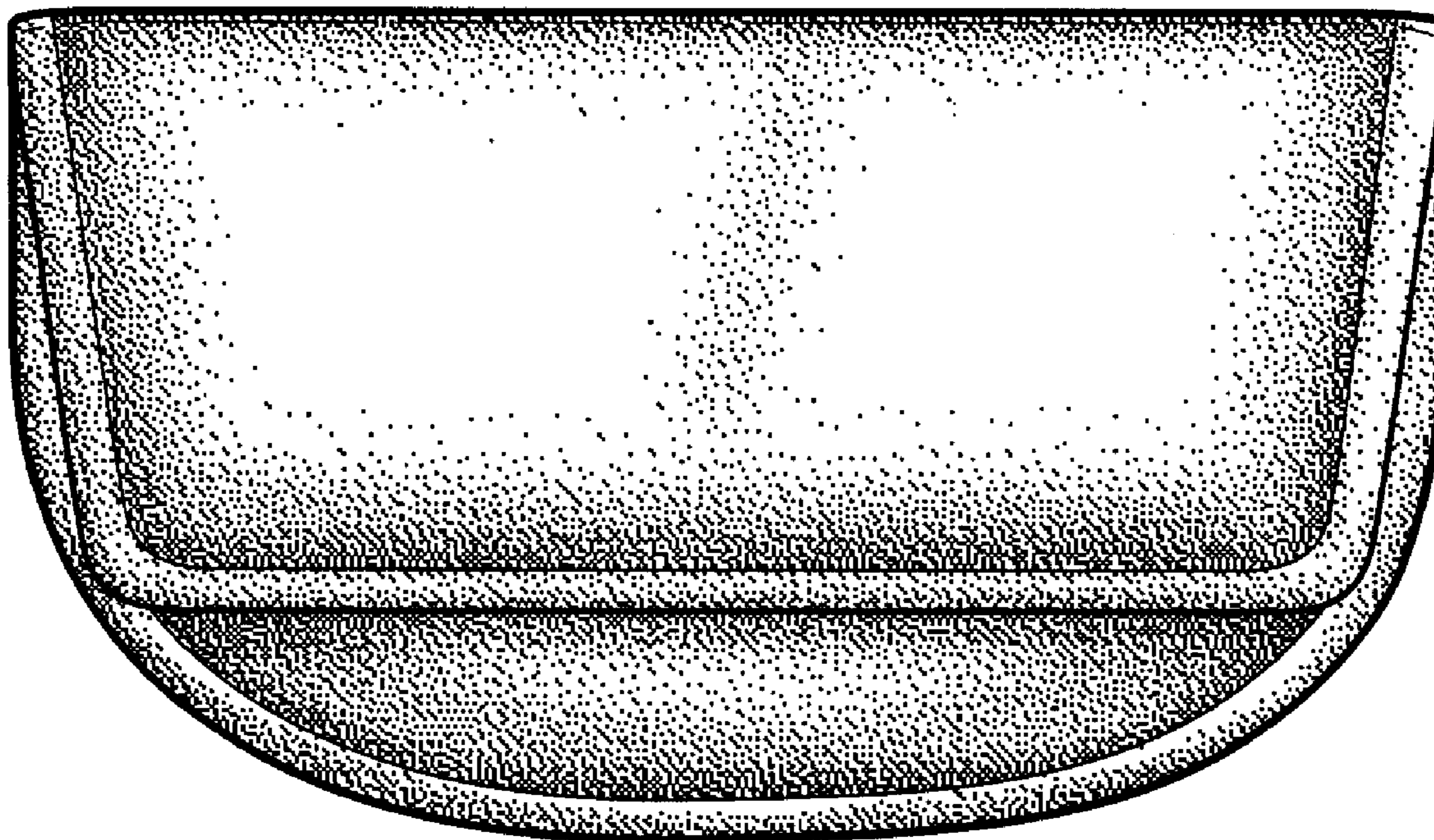
(57) **CLAIM**

The ornamental design for a handcuff pouch, as shown and described.

DESCRIPTION

FIG. 1 is a front elevational view of the handcuff pouch;
FIG. 2 is a rear elevational view thereof;
FIG. 3 is an end elevational view thereof, the other end being the mirror image thereof;
FIG. 4 is a top plan view thereof;
FIG. 5 is a bottom plan view thereof; and,
FIG. 6 is a front elevational view of the pouch in the open condition.

1 Claim, 3 Drawing Sheets



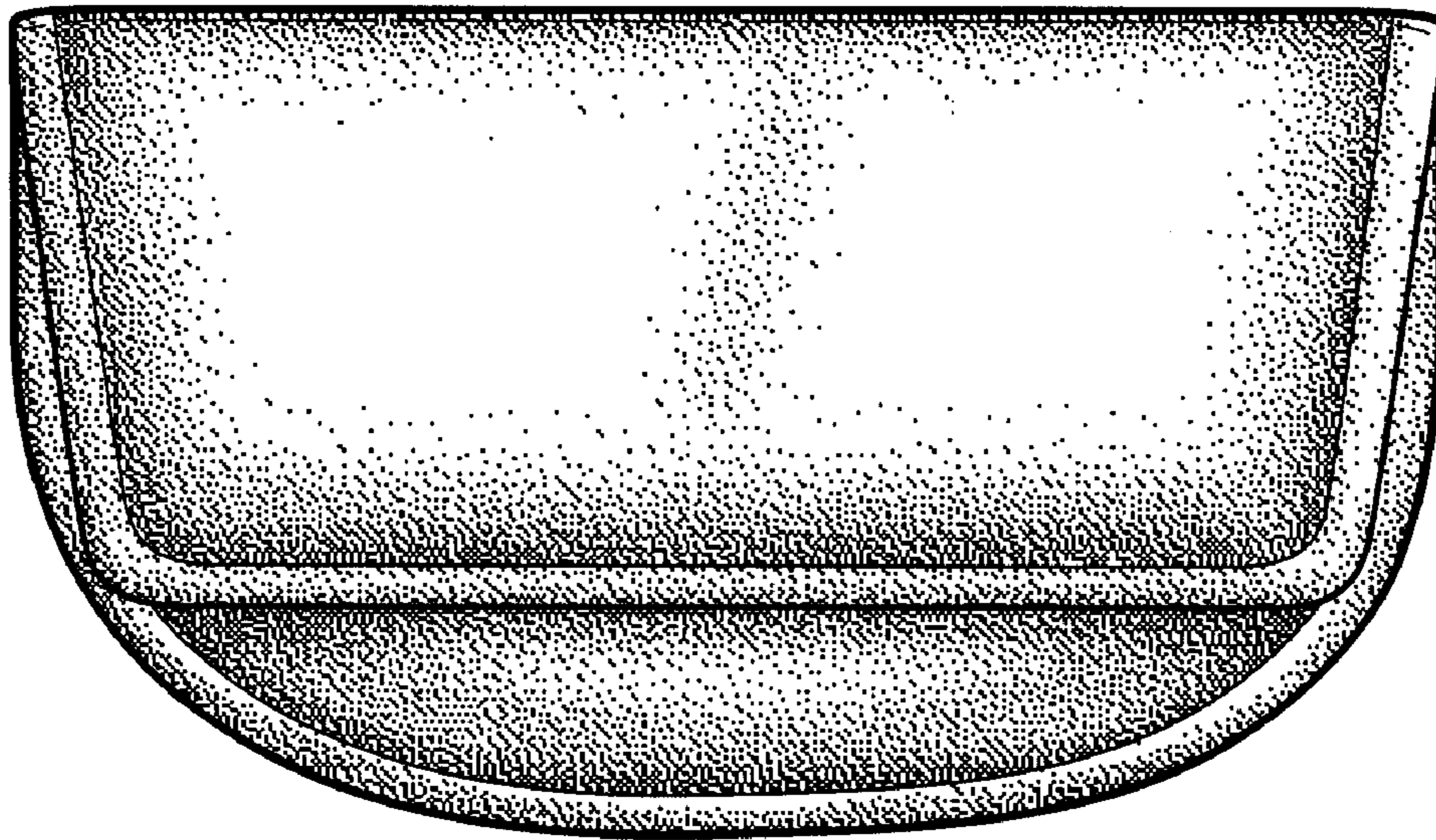


FIG. 1

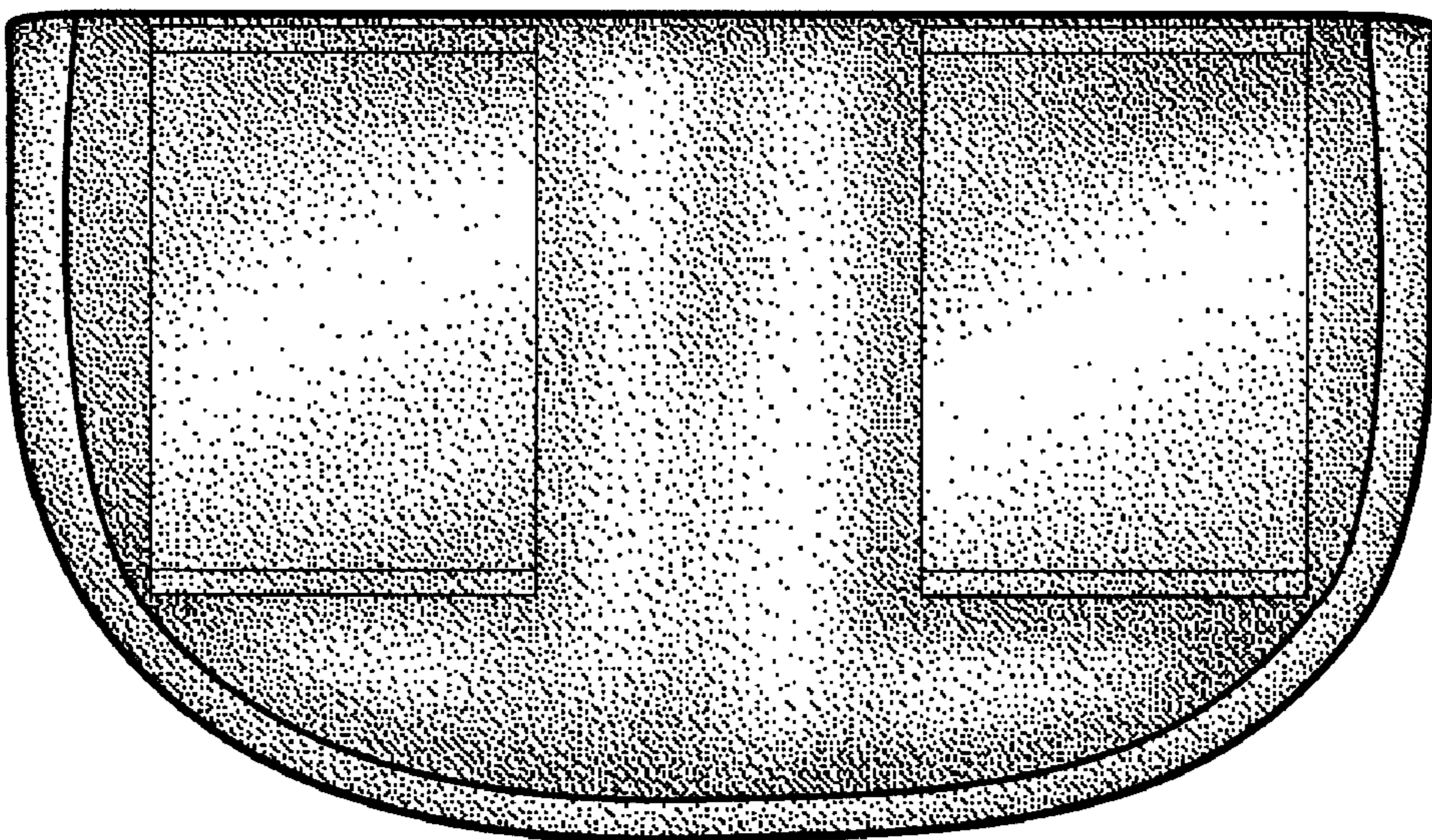


FIG. 2

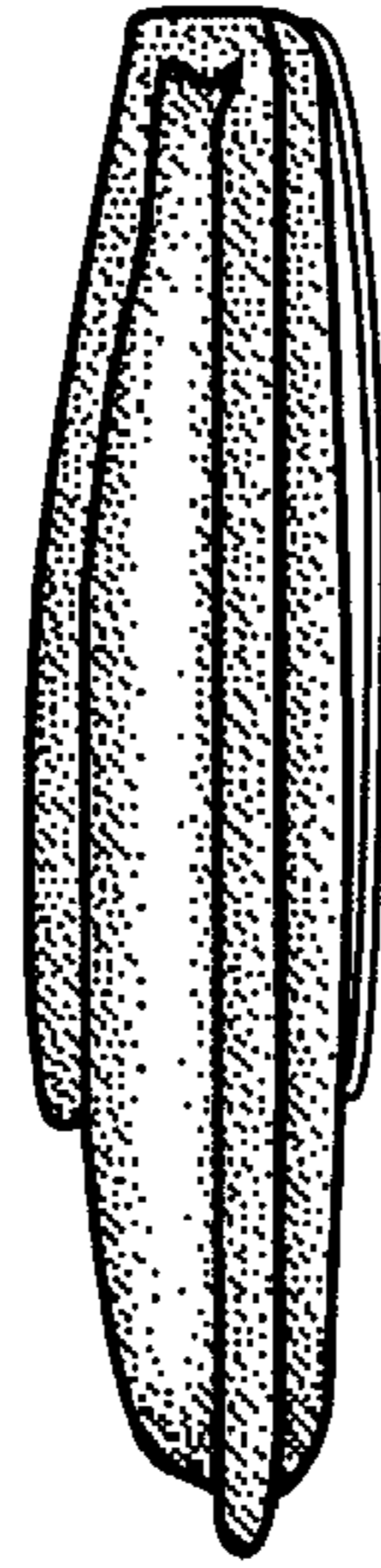


FIG. 3



FIG. 4

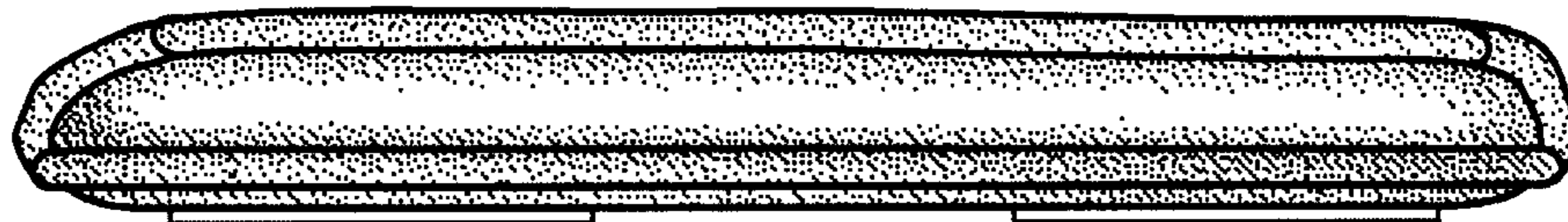


FIG. 5

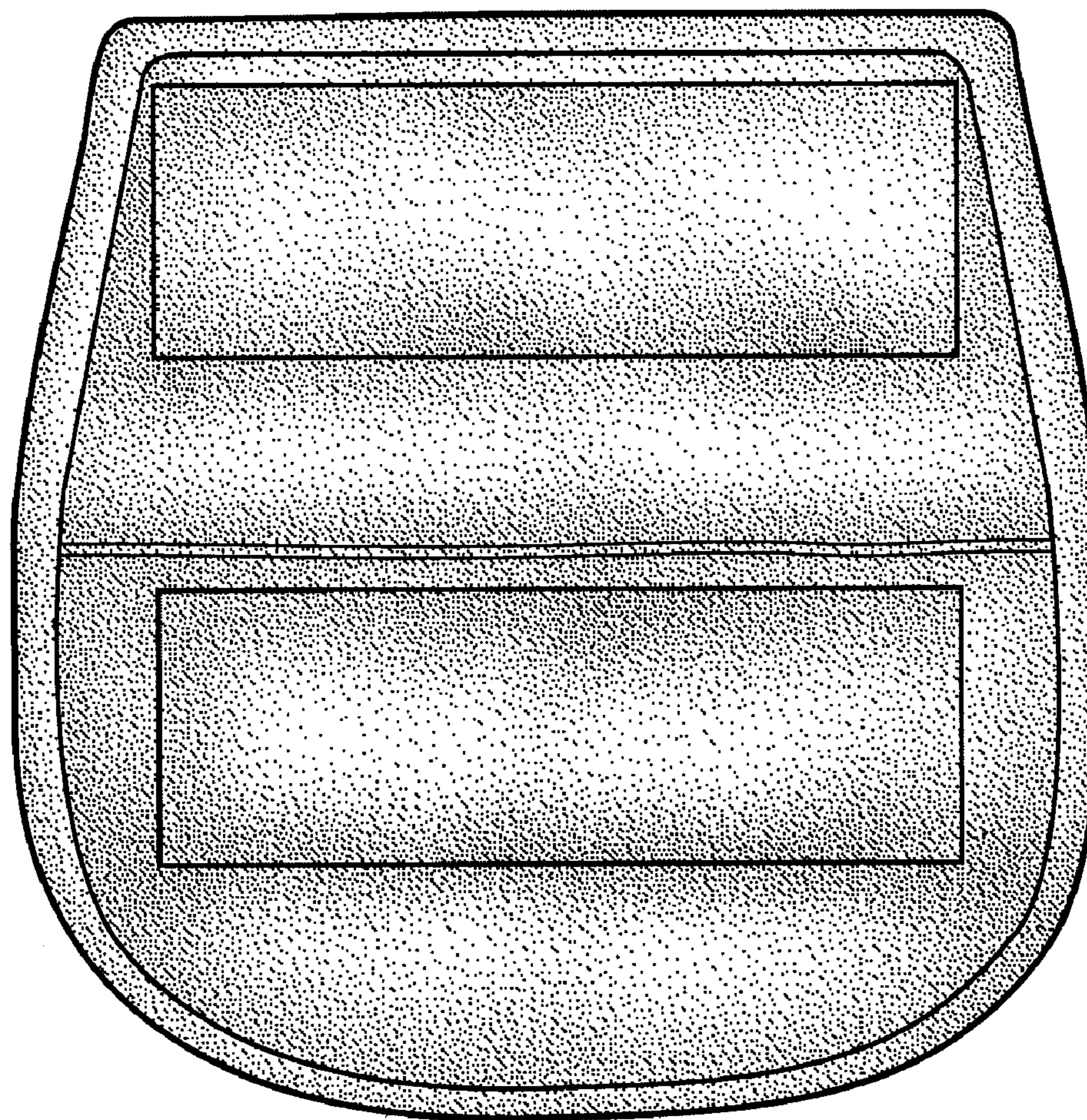


FIG. 6