

US00D543675S

(12) **United States Design Patent**  
**Ji**

(10) **Patent No.:** **US D543,675 S**

(45) **Date of Patent:** **\*\* May 29, 2007**

(54) **COLLAPSIBLE VEHICLE RAMP**

(76) Inventor: **Jun Ji**, 4355 E. Brickwell St., Ontario, CA (US) 91761

(\*\*) Term: **14 Years**

(21) Appl. No.: **29/253,980**

(22) Filed: **Feb. 14, 2006**

(51) **LOC (8) Cl.** ..... **12-05**

(52) **U.S. Cl.** ..... **D34/32**

(58) **Field of Classification Search** ..... D34/28,  
D34/32; 254/88, 122, 126, 124; 193/38, 41;  
414/537

See application file for complete search history.

(56) **References Cited**

**U.S. PATENT DOCUMENTS**

1,904,693	A	*	4/1933	Myers et al.	.....	254/88
2,924,427	A	*	2/1960	Larson	.....	254/88
3,386,703	A	*	6/1968	Thumma	.....	254/88
D221,975	S	*	9/1971	Nellis	.....	D34/32
D232,020	S	*	7/1974	Borsuk	.....	D34/32
3,915,430	A	*	10/1975	Chromy et al.	.....	254/88
D298,978	S	*	12/1988	Van Buskirk	.....	D34/32
D351,710	S	*	10/1994	Richardson	.....	D34/32
5,503,368	A	*	4/1996	Torres	.....	254/88
D401,601	S	*	11/1998	Kalpagian	.....	D15/150
D430,377	S	*	8/2000	Collins	.....	D34/32
7,114,210	B2	*	10/2006	Heinz	.....	14/69.5

**OTHER PUBLICATIONS**

Folding Car Ramps, Discount Ramps.com LLC, 760 S. Indiana Ave., West Bend, WI 53095, Tel: 1-888-651-3431. Single Fold Ramp, uncanhealth.com, uCan Health LLC, PO Box 54965, Irvine, CA 92619, Tel: 949-387-9165. Larin Foldable ATV Truck Ramp Set, Tel: 1-888-844-0667, custserv@sportsmanguide.com.

\* cited by examiner

*Primary Examiner*—Cynthia E. Ramirez

(57) **CLAIM**

The ornamental design for the collapsible vehicle ramp, as shown and described.

**DESCRIPTION**

FIG. 1 is a perspective view of a collapsible vehicle ramp showing my new design.

FIG. 2 is a left side view thereof.

FIG. 3 is a front view thereof.

FIG. 4 is a rear view thereof.

FIG. 5 is a top plan view thereof.

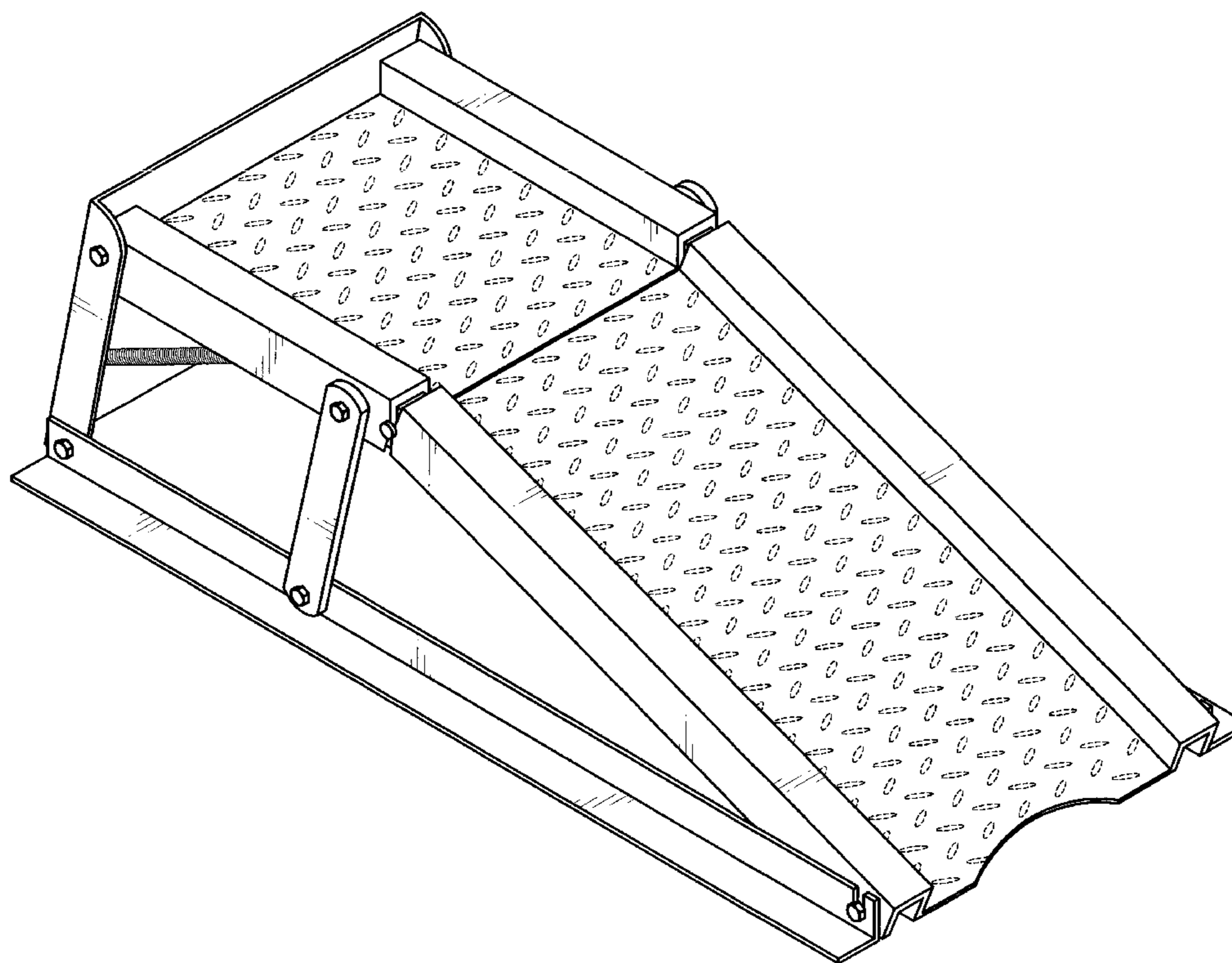
FIG. 6 is a bottom view thereof.

FIG. 7 is a perspective view thereof in a collapsed position of use; and,

FIG. 8 is a left side view thereof in a collapsed position of use.

The broken line portions of the disclosure are for illustrative purposes only and form no part of the claimed design.

**1 Claim, 7 Drawing Sheets**



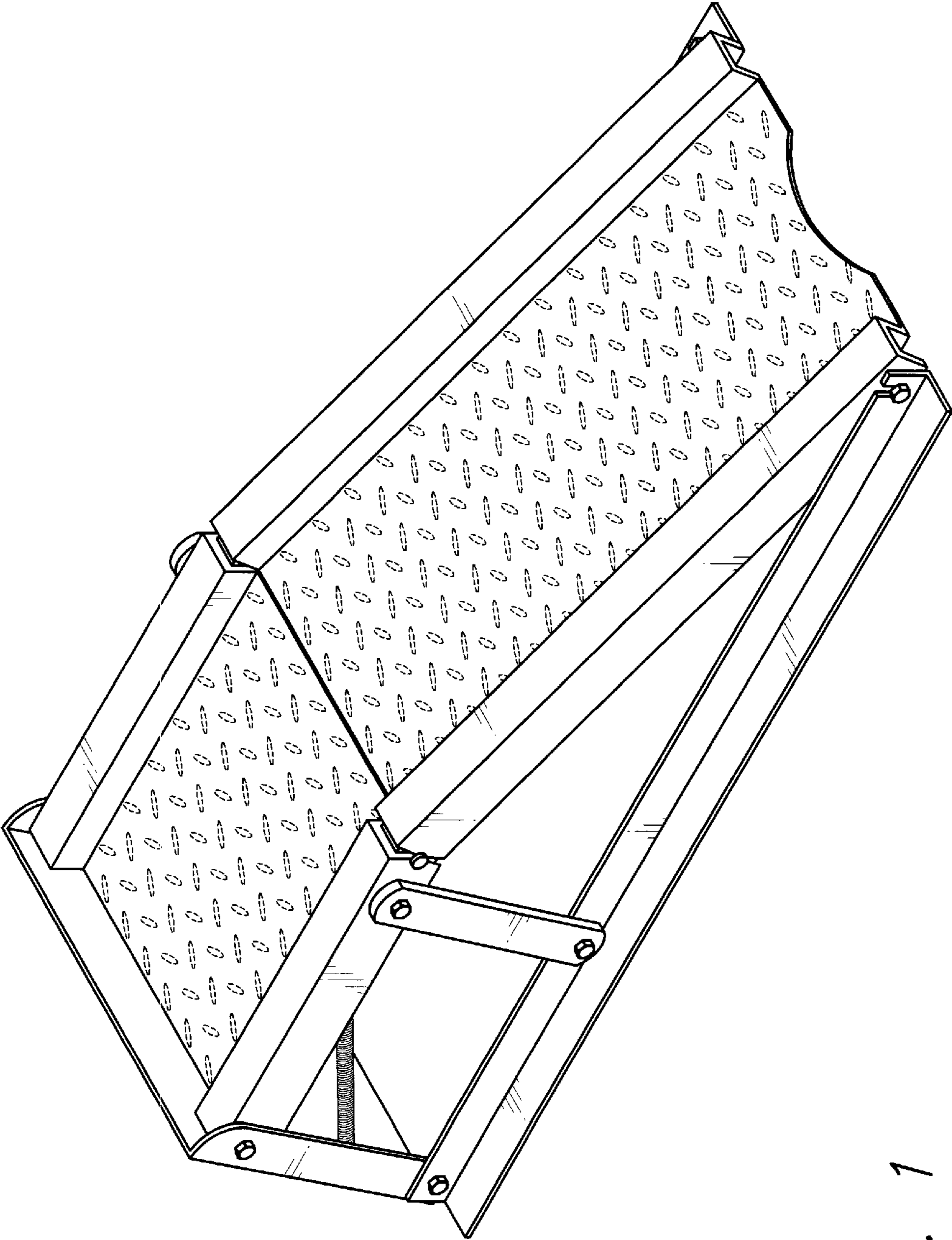


FIG. 1

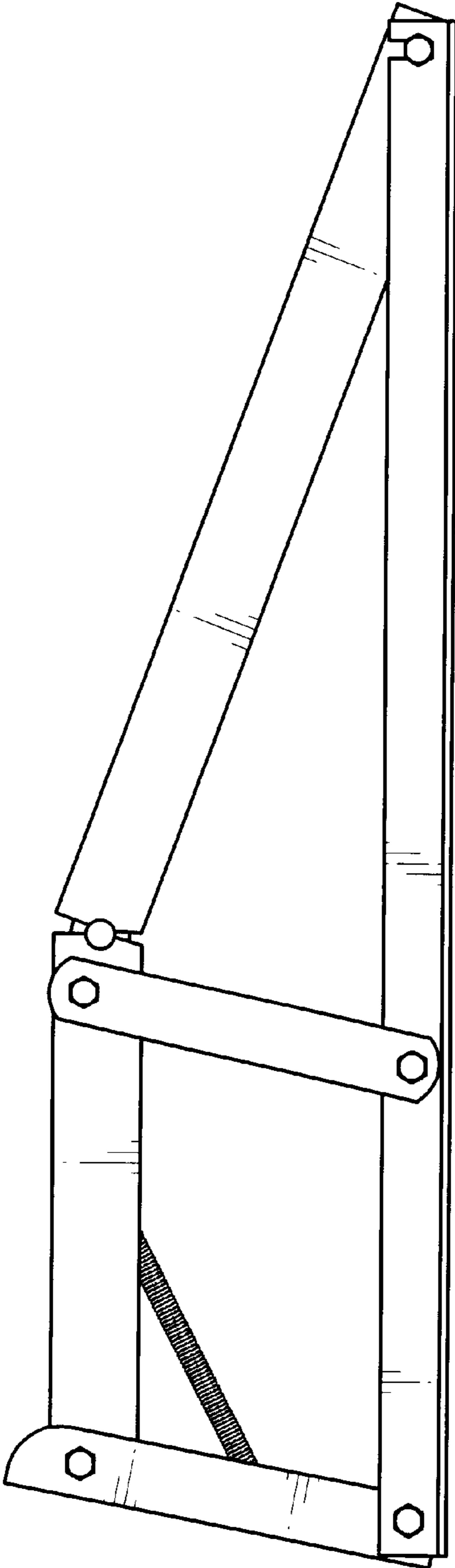


FIG. 2

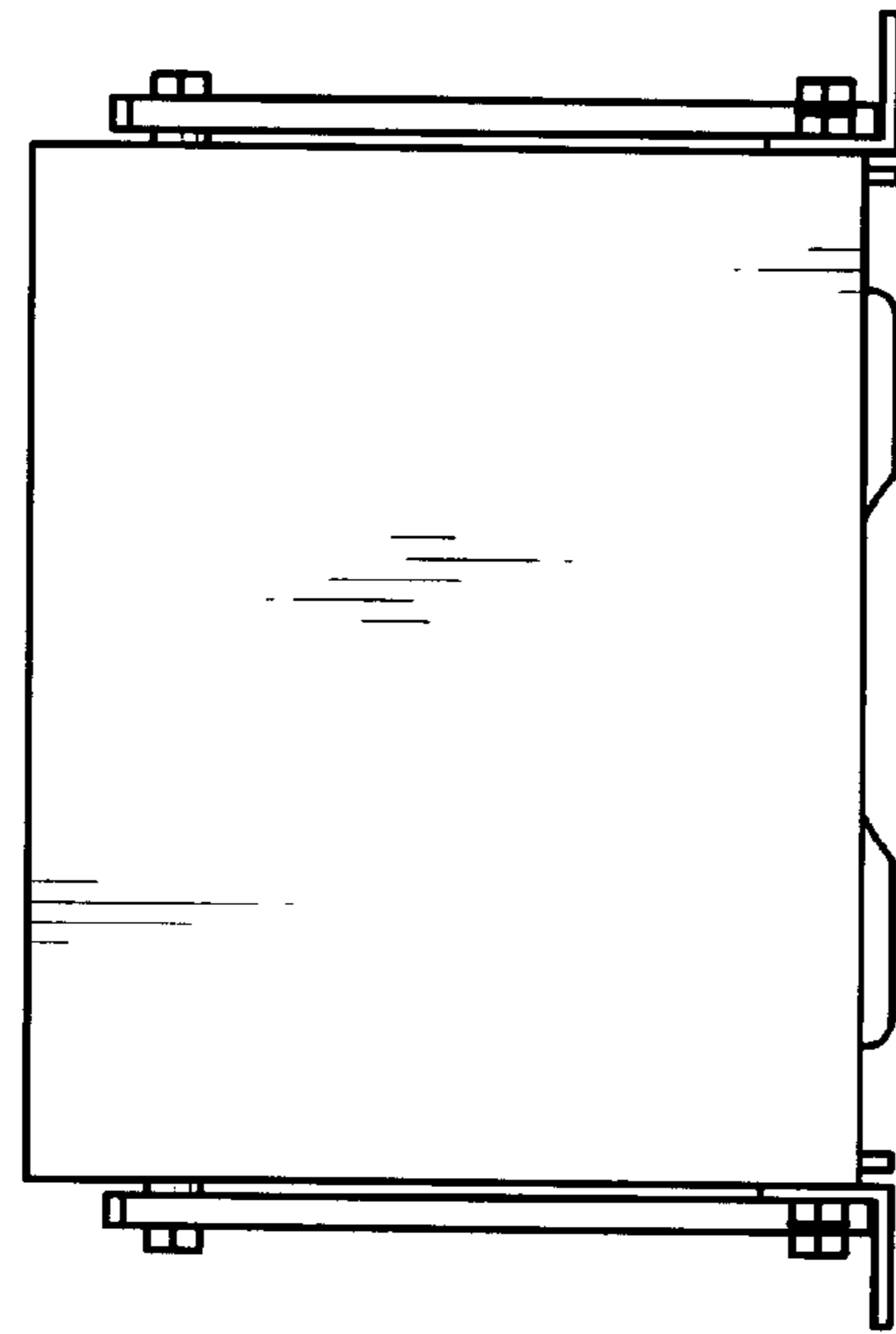


FIG. 4

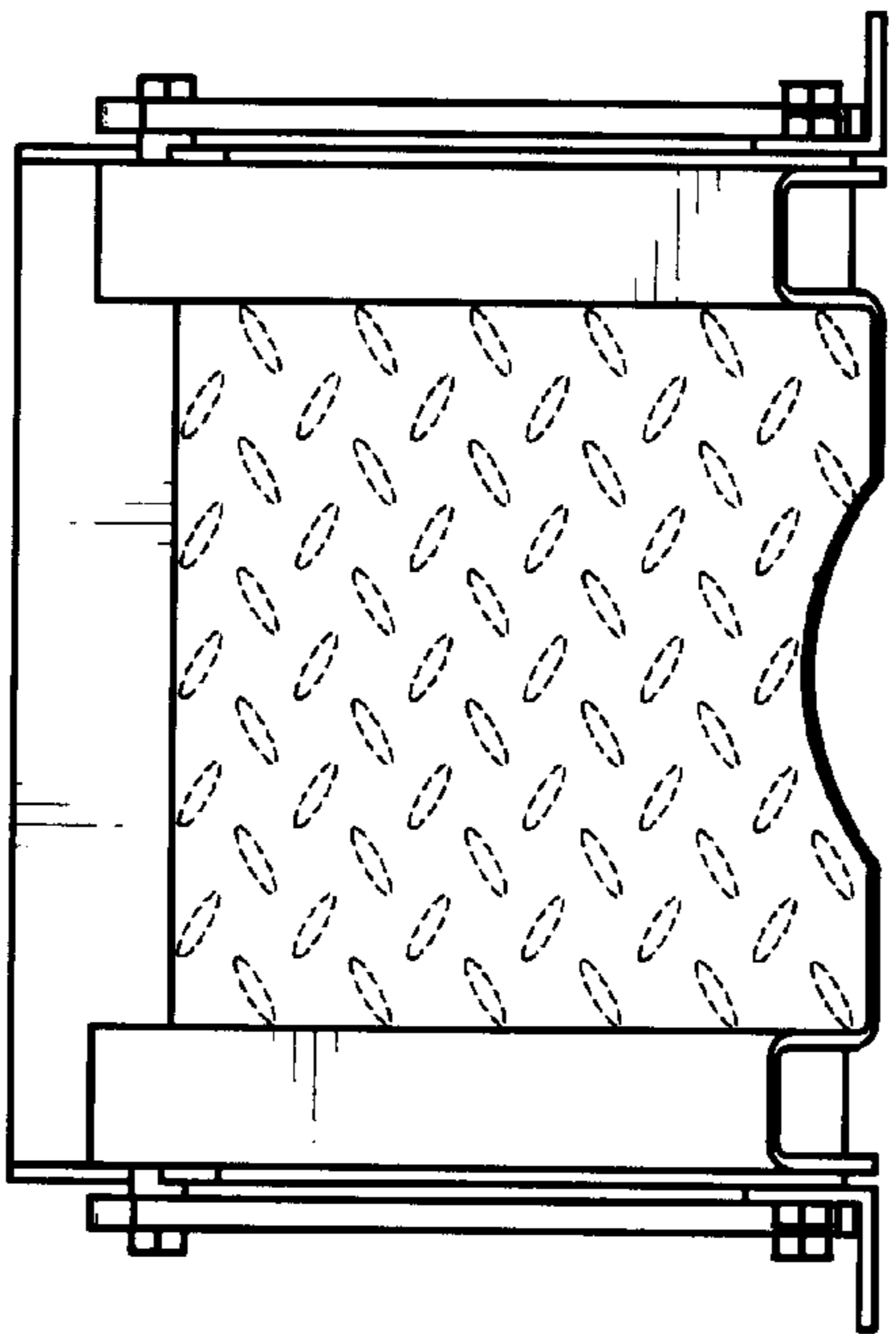


FIG. 3

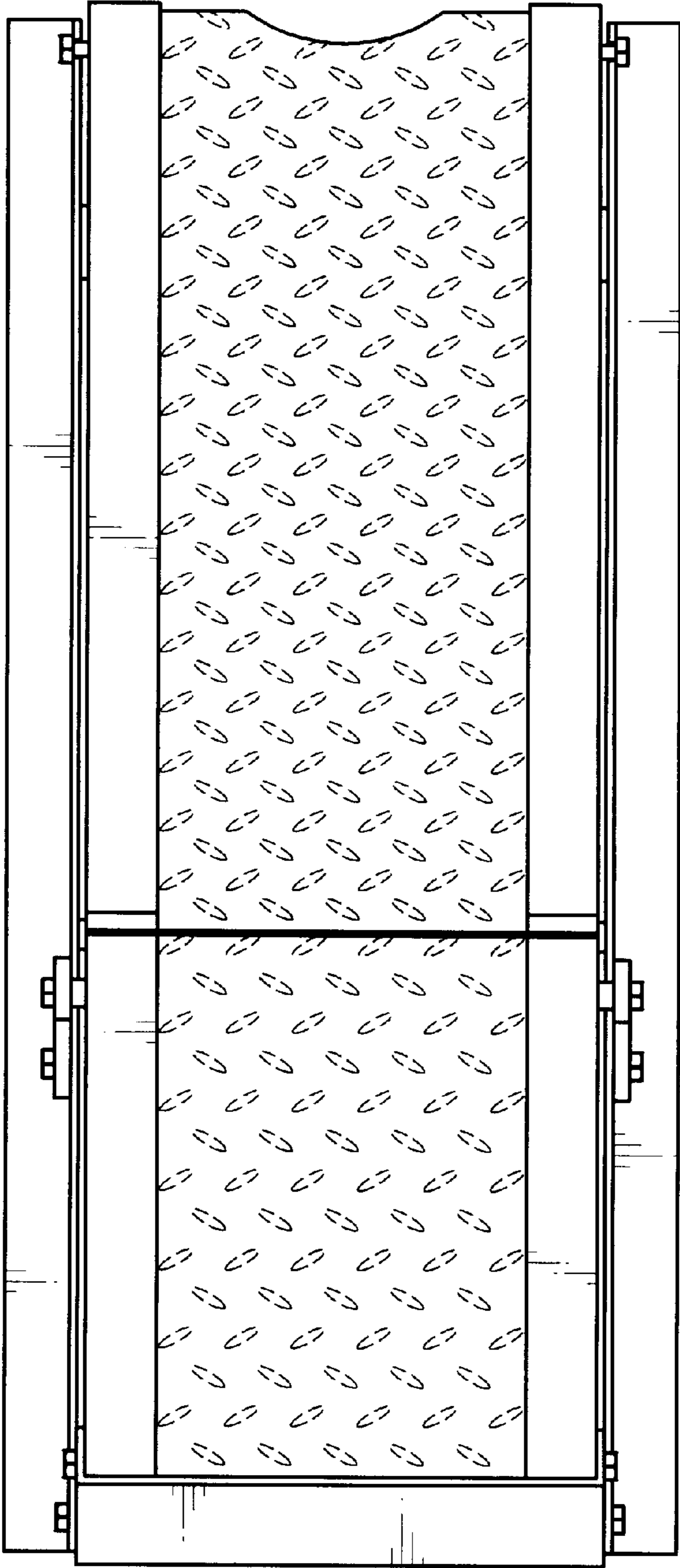


FIG. 5

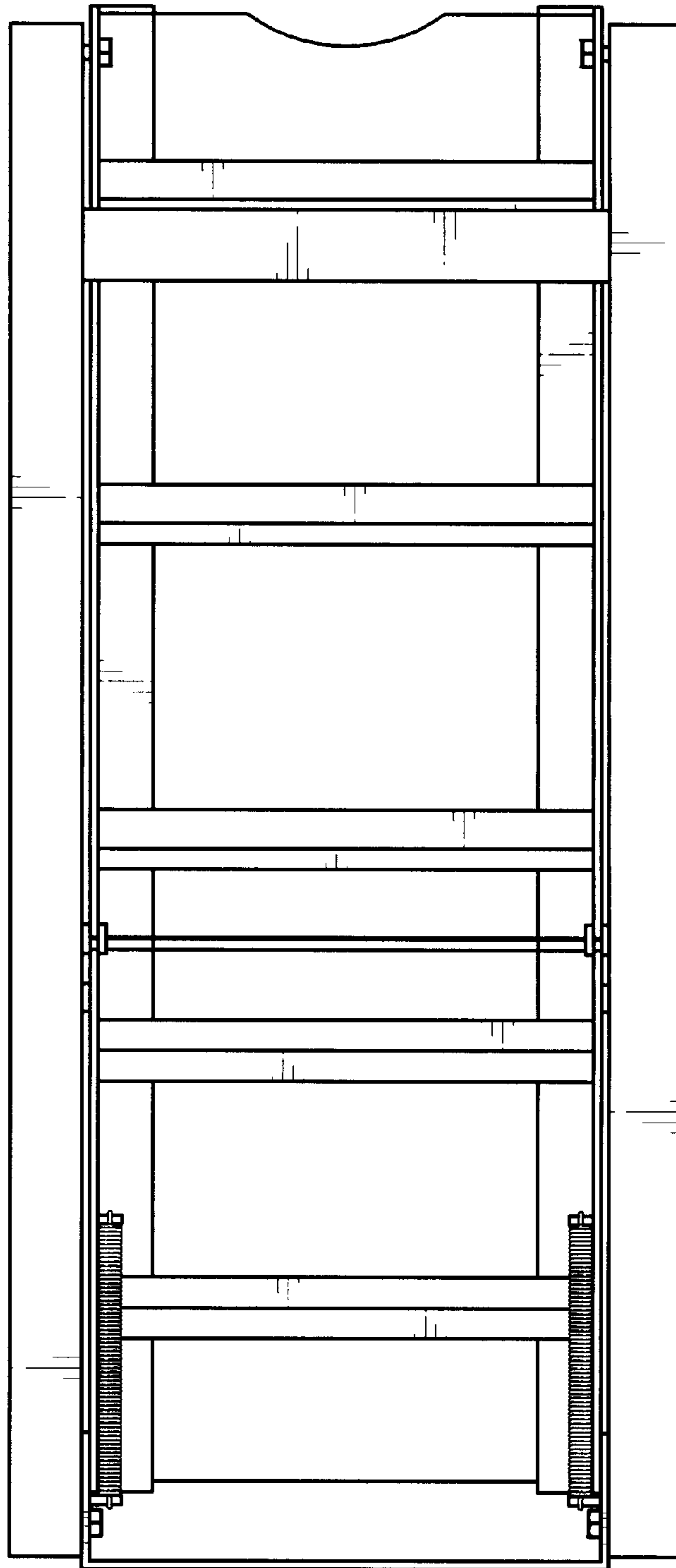


FIG. 6

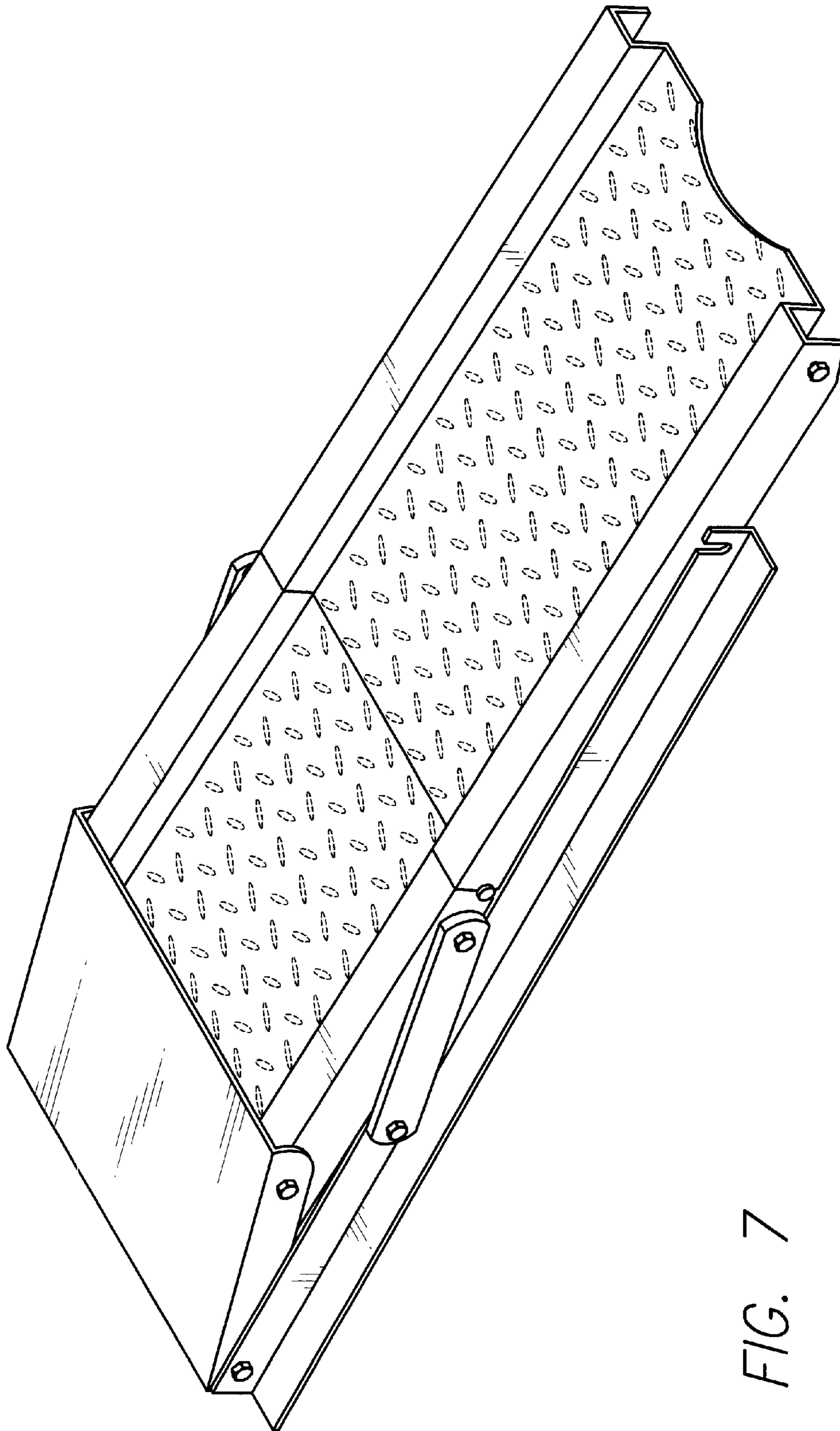


FIG. 7

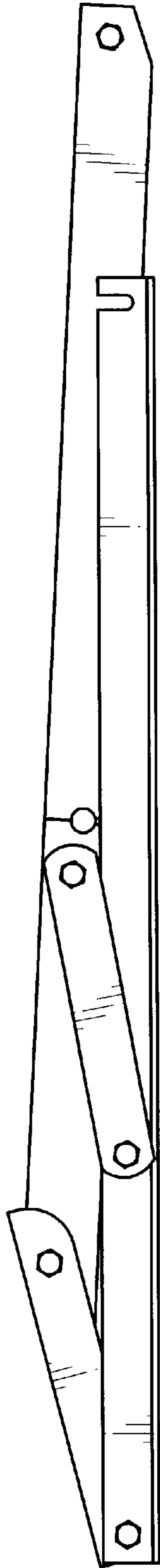


FIG. 8