

US00D543670S

(12) **United States Design Patent**  
**Swinderman**

(10) **Patent No.:** **US D543,670 S**

(45) **Date of Patent:** **\*\* May 29, 2007**

(54) **SCRAPER BLADE FOR A CONVEYOR BELT CLEANER**

(75) Inventor: **R. Todd Swinderman**, Kewanee, IL (US)

(73) Assignee: **Martin Engineering Company**, Neponset, IL (US)

(\*\*) Term: **14 Years**

(21) Appl. No.: **29/247,867**

(22) Filed: **Jul. 18, 2006**

(51) **LOC (8) Cl.** ..... **08-05**

(52) **U.S. Cl.** ..... **D32/46; D32/40**

(58) **Field of Classification Search** ..... D32/46; D7/688; 15/236.01, 236.02, 236.06, 236.07, 15/236.08, 245, 245.1; 30/169

See application file for complete search history.

(56) **References Cited**

**U.S. PATENT DOCUMENTS**

3,342,312 A	9/1967	Reiter	
3,504,786 A	4/1970	Matson	
3,841,470 A	10/1974	Meguro	
3,994,388 A	11/1976	Keiter	
4,098,394 A	7/1978	Stahura	
4,249,650 A	2/1981	Stahura	
D276,564 S *	11/1984	Leininger	D32/46
4,529,084 A	7/1985	Zhang	
D280,109 S *	8/1985	Lewis et al.	D18/99
4,533,036 A	8/1985	Gordon	
4,598,823 A	7/1986	Swinderman	
4,643,293 A	2/1987	Swinderman	
4,779,716 A	10/1988	Gordon	
4,787,500 A	11/1988	Holz	
D302,880 S *	8/1989	Terry	D32/46
4,854,443 A	8/1989	Gordon	
4,917,231 A	4/1990	Swinderman	
5,310,042 A	5/1994	Veenhof	

D347,918 S	6/1994	Gibbs	
5,413,208 A	5/1995	Veenhof	
D391,713 S *	3/1998	Laib	D32/41
D392,078 S *	3/1998	Courts	D32/46
5,797,477 A	8/1998	Veenhof	
5,944,167 A	8/1999	Brink	
D434,888 S *	12/2000	Hendricks	D32/46
D450,412 S *	11/2001	Hajduk	D32/46
6,321,901 B1	11/2001	Strebel et al.	
6,374,990 B1	4/2002	Swinderman	
6,374,991 B1	4/2002	Swinderman	
6,401,911 B1	6/2002	Swinderman	
6,439,373 B1	8/2002	Swinderman	
6,581,754 B2	6/2003	Law	
6,591,969 B2	7/2003	Swinderman et al.	
D481,501 S *	10/2003	Richter	D32/41
D502,580 S *	3/2005	Williams	D32/41
D503,316 S *	3/2005	Webb et al.	D7/688
6,986,418 B2	1/2006	Swinderman et al.	

\* cited by examiner

*Primary Examiner*—Pamela J. Burgess

(74) *Attorney, Agent, or Firm*—Barnes & Thornburg LLP

(57) **CLAIM**

The ornamental design for a scraper blade for a conveyor belt cleaner, as shown and described.

**DESCRIPTION**

FIG. 1 is a perspective view of a scraper blade for a conveyor belt cleaner;

FIG. 2 is a top plan view of the scraper blade;

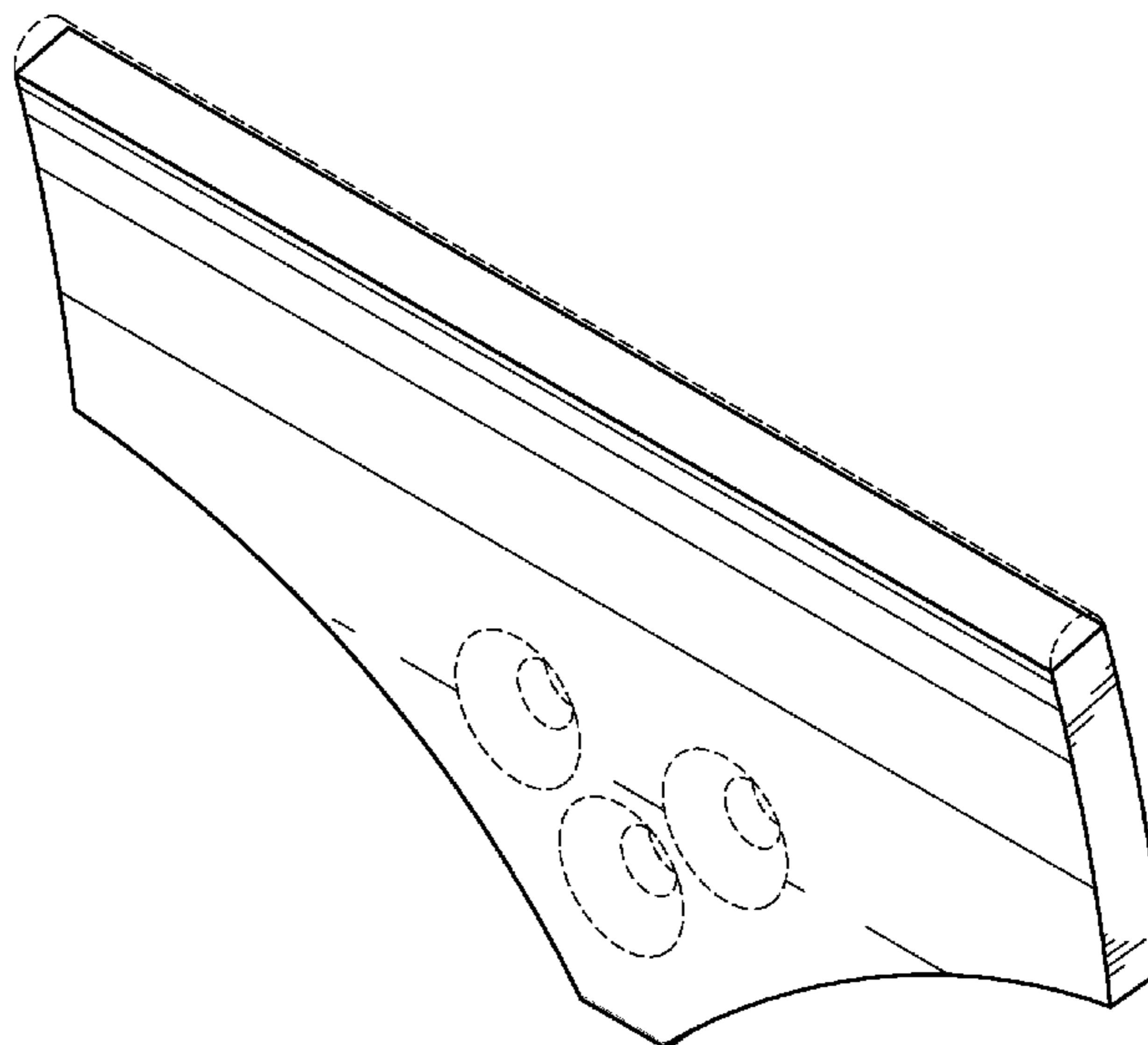
FIG. 3 is a front elevational view of the scraper blade;

FIG. 4 is a bottom view of the scraper blade;

FIG. 5 is a left side elevational view of the scraper blade, the right side elevational view being a mirror image; and,

FIG. 6 is a rear elevational view of the scraper blade.

**1 Claim, 3 Drawing Sheets**



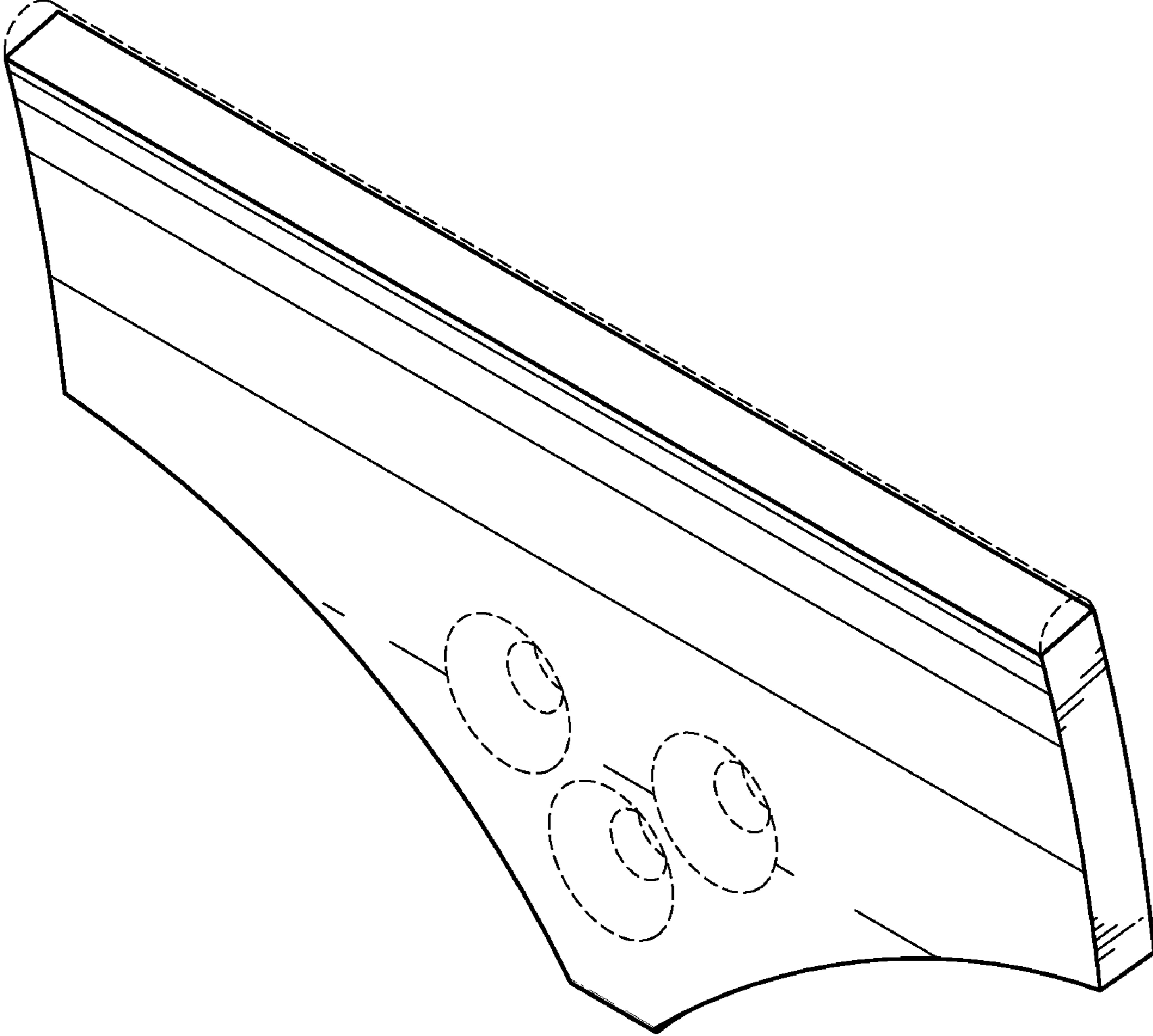


FIG. 1

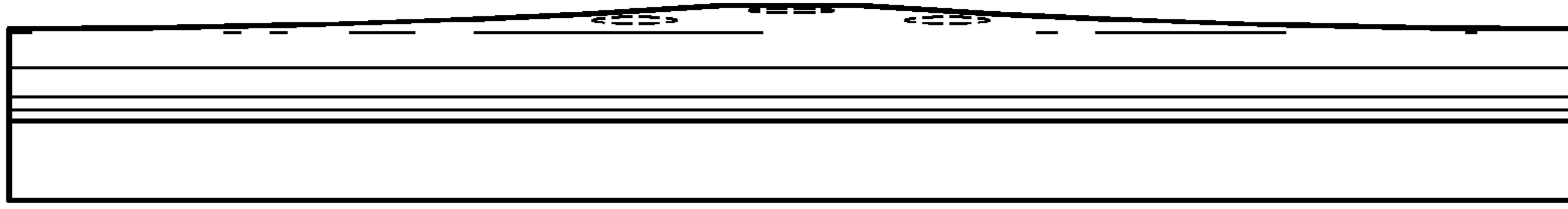


FIG. 2

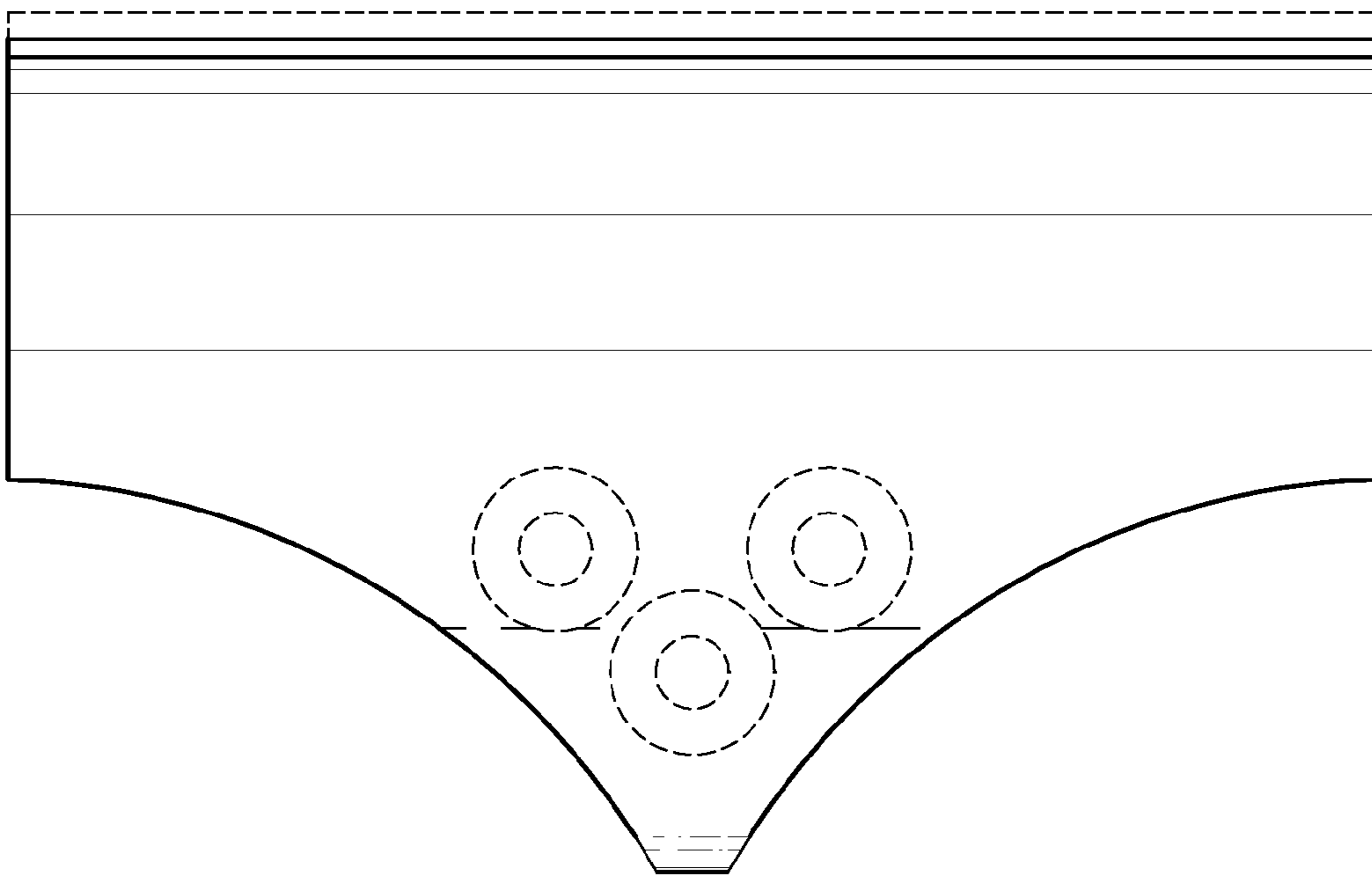


FIG. 3

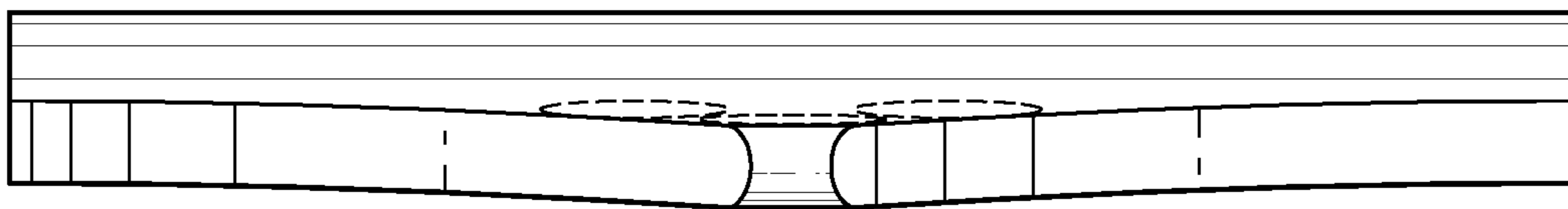


FIG. 4

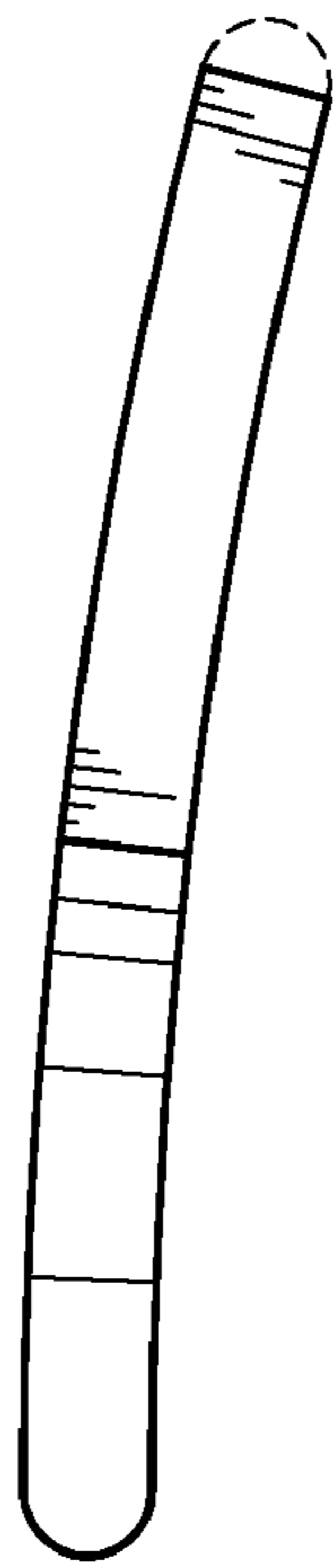


FIG. 5

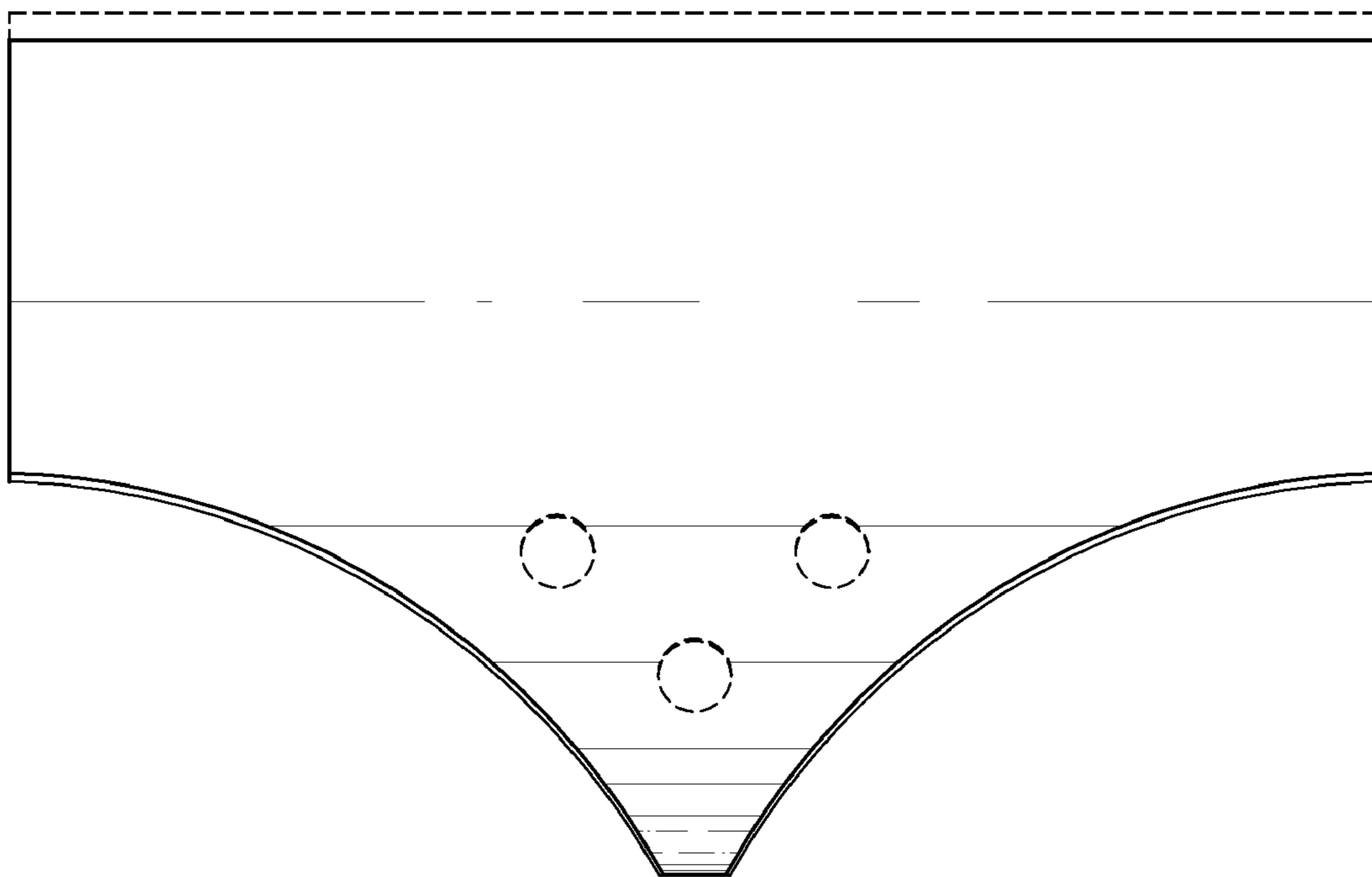


FIG. 6