

US00D543669S

(12) **United States Design Patent**
Ikeno et al.

(10) **Patent No.:** **US D543,669 S**

(45) **Date of Patent:** **** May 29, 2007**

(54) **NOZZLE OF ELECTRIC VACUUM CLEANER**

(75) Inventors: **Kenji Ikeno**, Ono (JP); **Noriyuki Mori**, Kakogawa (JP)

(73) Assignee: **Sanyo Electric Co., Ltd.**, Moriguchi-shi (JP)

(**) **Term:** **14 Years**

(21) Appl. No.: **29/251,492**

(22) Filed: **Jan. 10, 2006**

(30) **Foreign Application Priority Data**

Jul. 11, 2005 (JP) 2005-020099

(51) **LOC (8) Cl.** **15-05**

(52) **U.S. Cl.** **D32/32**

(58) **Field of Classification Search** D32/22, D32/31-33, 38-39; 15/321-322, 324-325, 15/327.1, 329, 339, 344, 350-351, 362, 415.1, 15/416-422, 422.1, 412, DIG. 10
See application file for complete search history.

(56) **References Cited**

U.S. PATENT DOCUMENTS

D333,539 S * 2/1993 Kramer et al. D32/32

D443,120 S * 5/2001 Choi D32/32
D456,967 S * 5/2002 Santiago D32/32
D457,696 S * 5/2002 Worwag D32/32
D507,854 S * 7/2005 Kim D32/32
D518,932 S * 4/2006 Maruyama et al. D32/32
2003/0028996 A1 * 2/2003 Albert et al. 15/415.1
2006/0162121 A1 * 7/2006 Naito et al. 15/416

* cited by examiner

Primary Examiner—Ruth McInroy

(74) *Attorney, Agent, or Firm*—Foley & Lardner, LLP

(57) **CLAIM**

The ornamental design for a nozzle of electric vacuum cleaner, as shown and described.

DESCRIPTION

FIG. 1 is a perspective view of a nozzle of electric vacuum cleaner showing our new design;
FIG. 2 is a front view thereof;
FIG. 3 is a rear view thereof;
FIG. 4 is a top plan view thereof;
FIG. 5 is a bottom plan view thereof;
FIG. 6 is a right side view thereof;
FIG. 7 is a left side view thereof; and,
FIG. 8 is a sectional view taken along line 8—8 in FIG. 2.

1 Claim, 4 Drawing Sheets

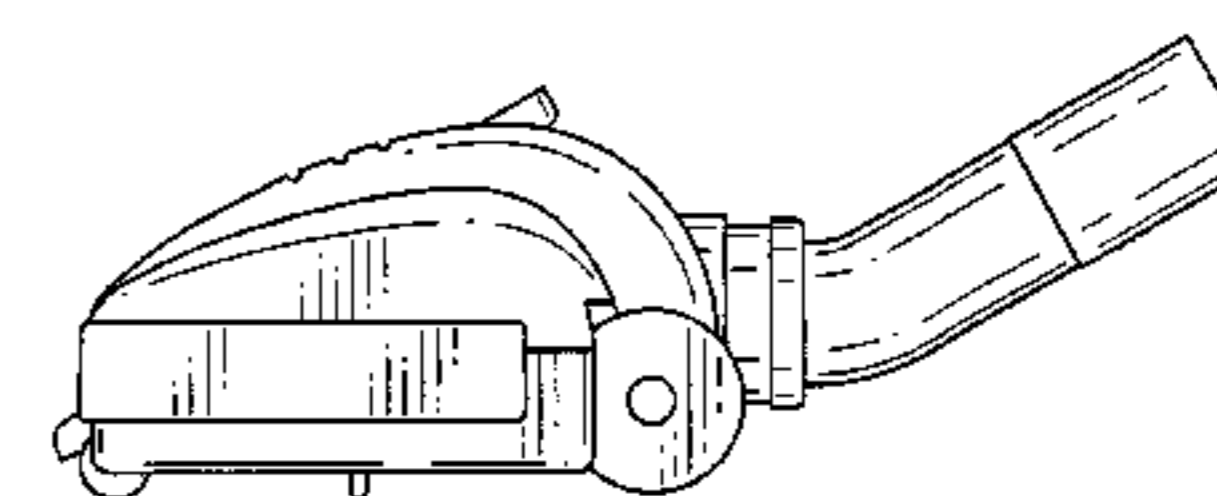
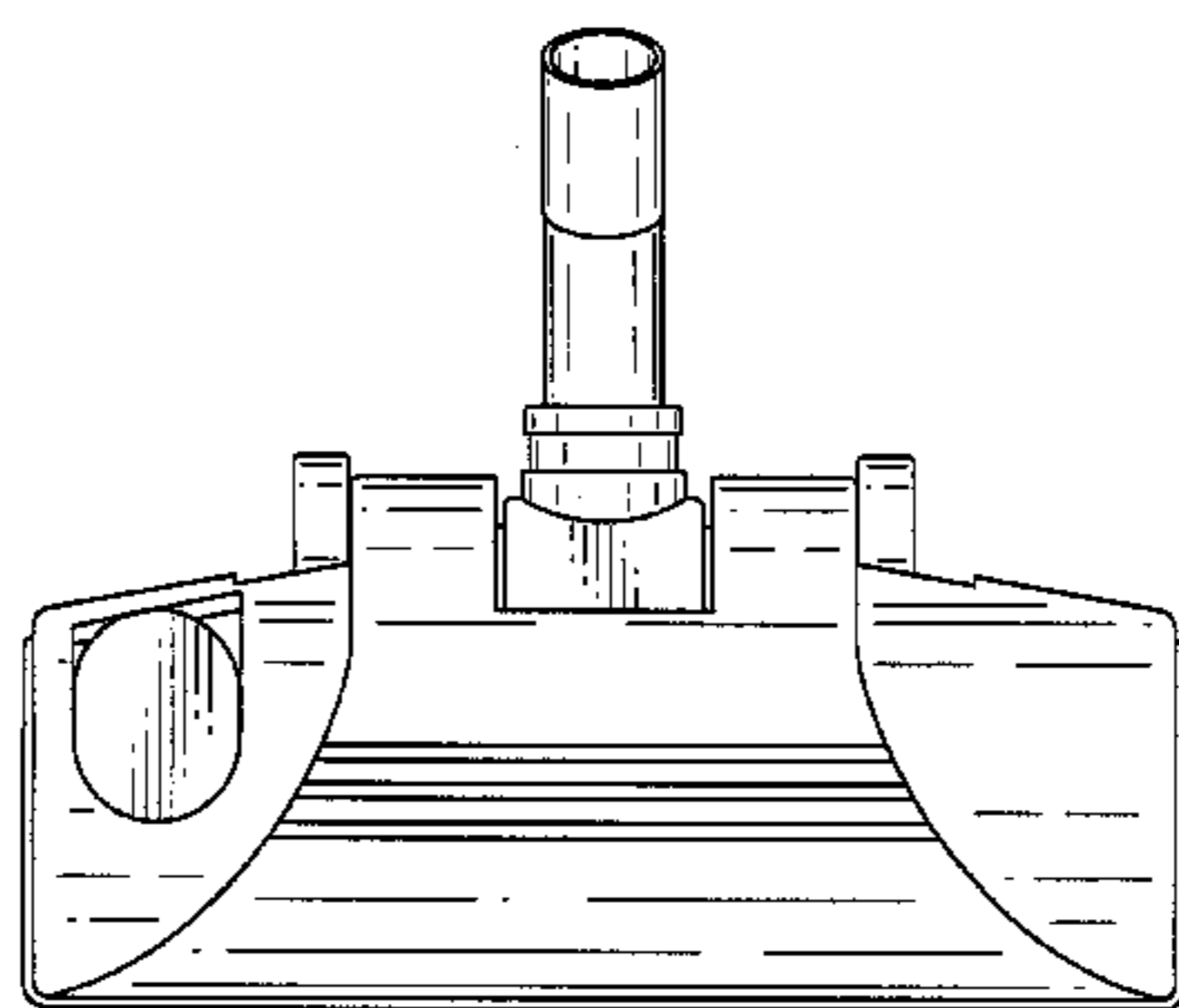
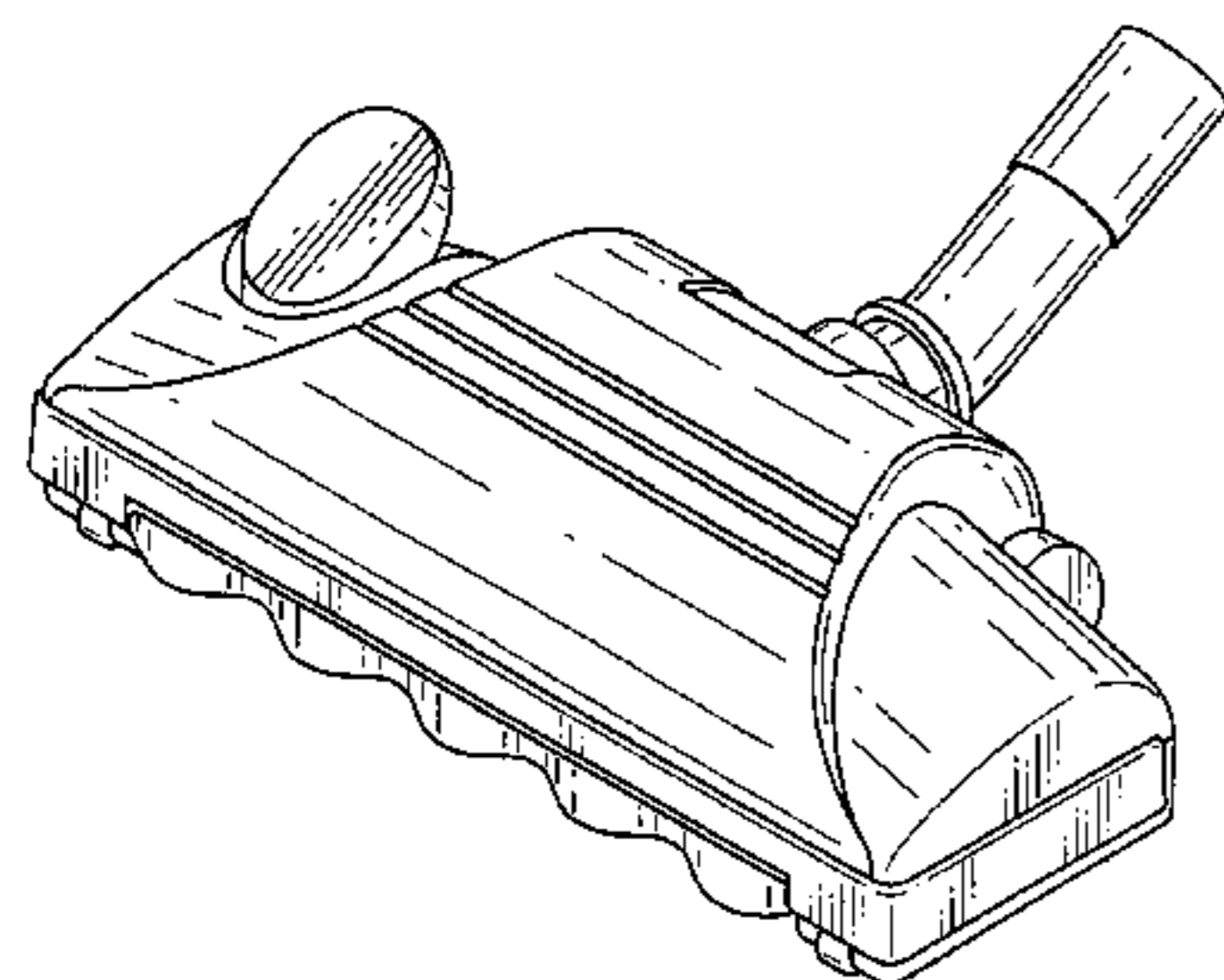


Fig. 1

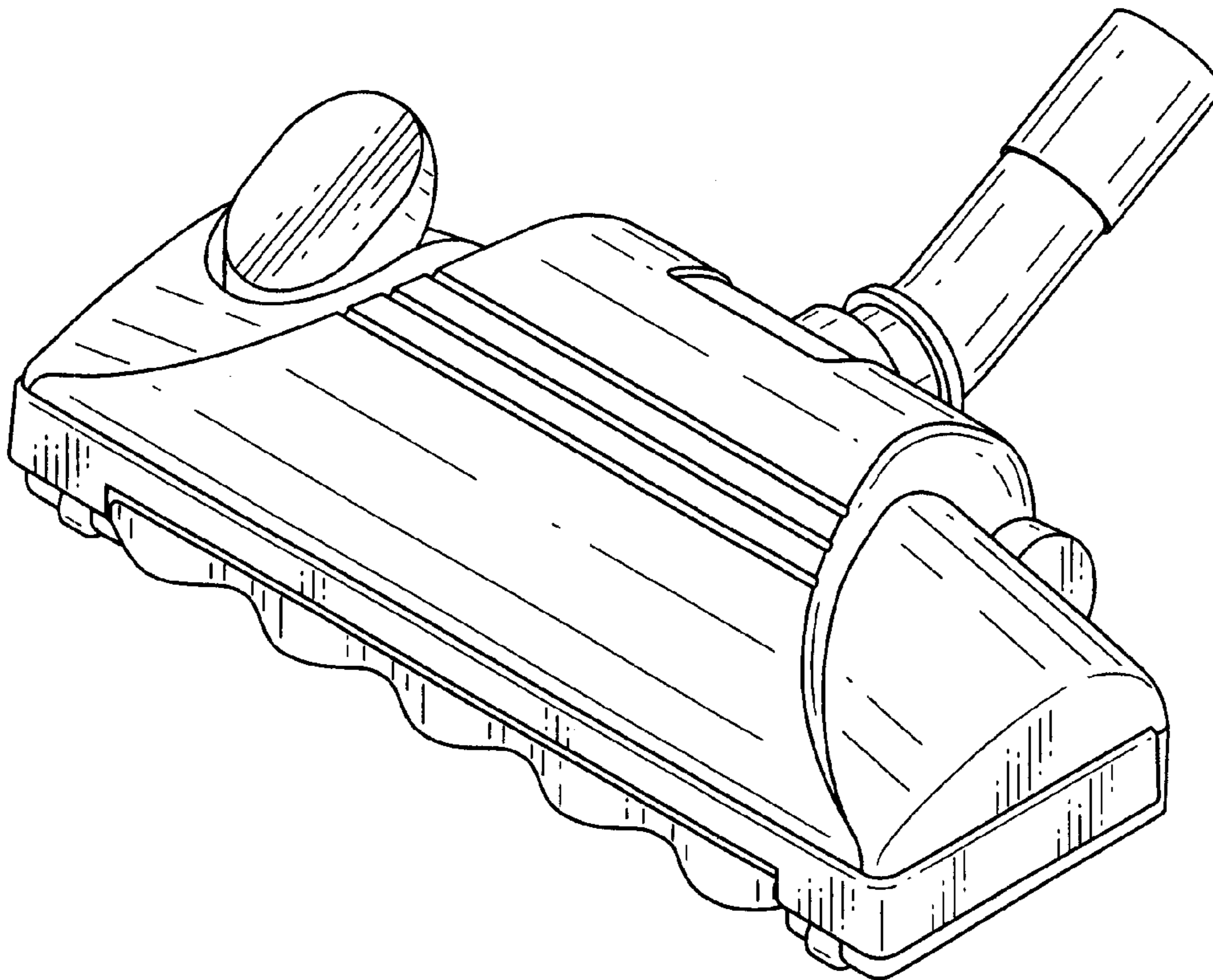


Fig. 2

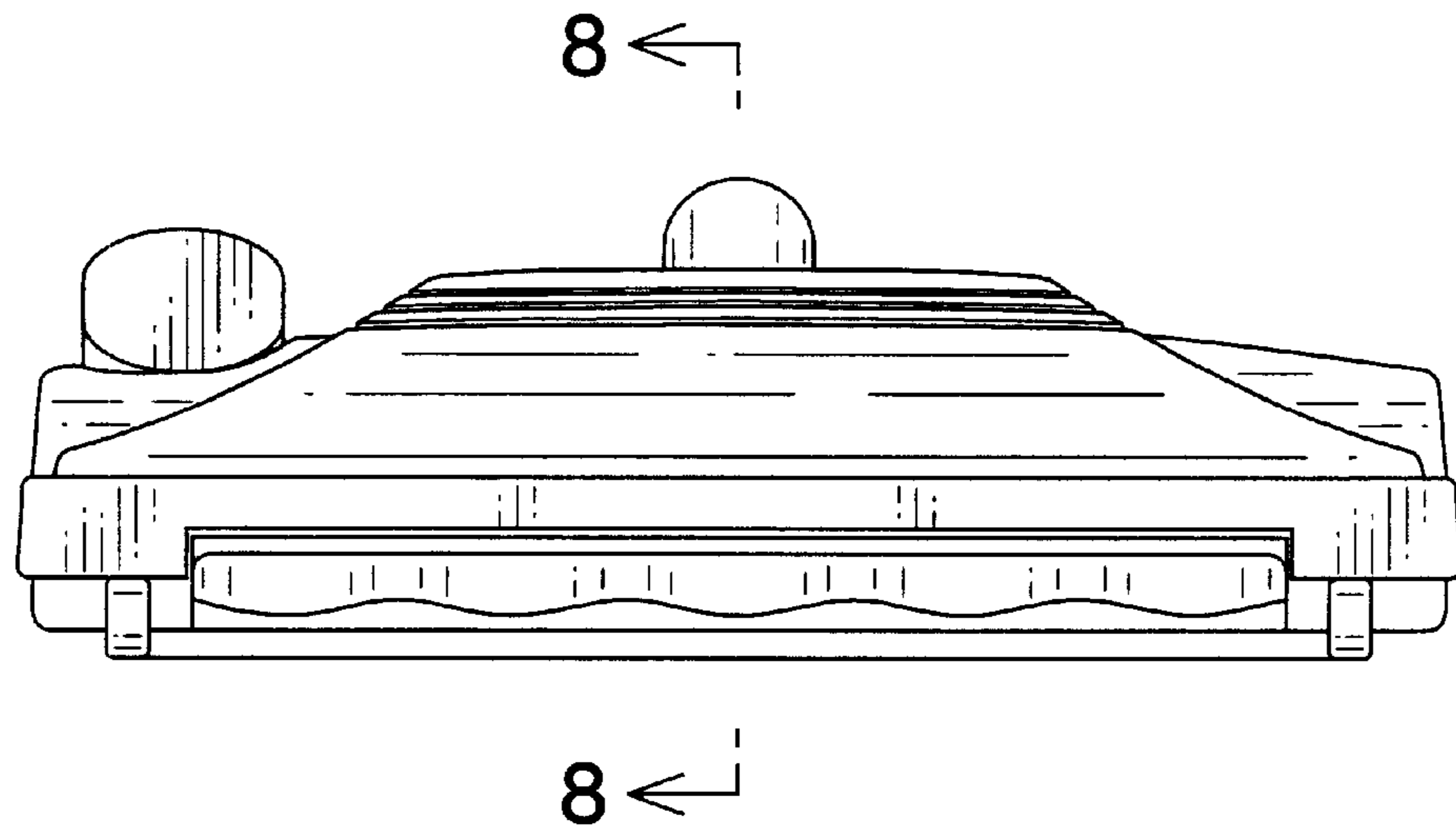


Fig. 3

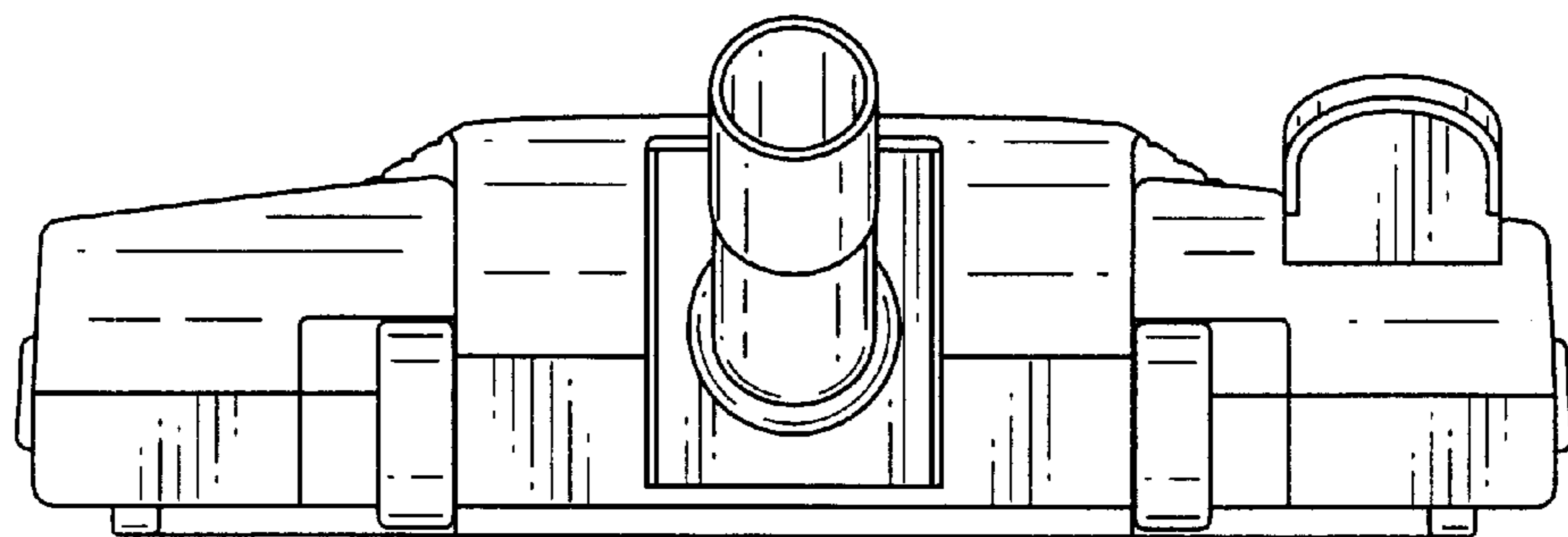


Fig. 4

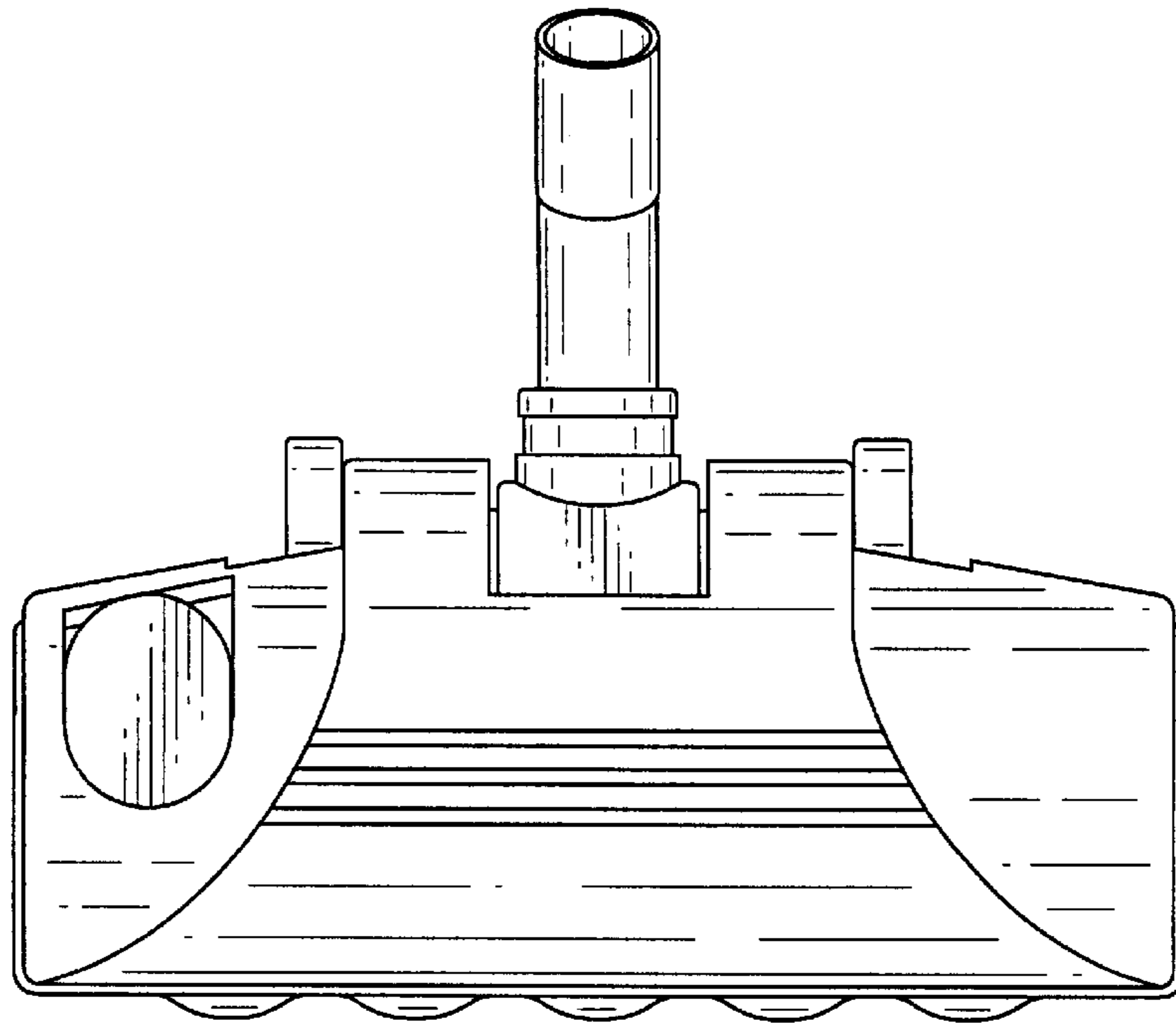


Fig. 5

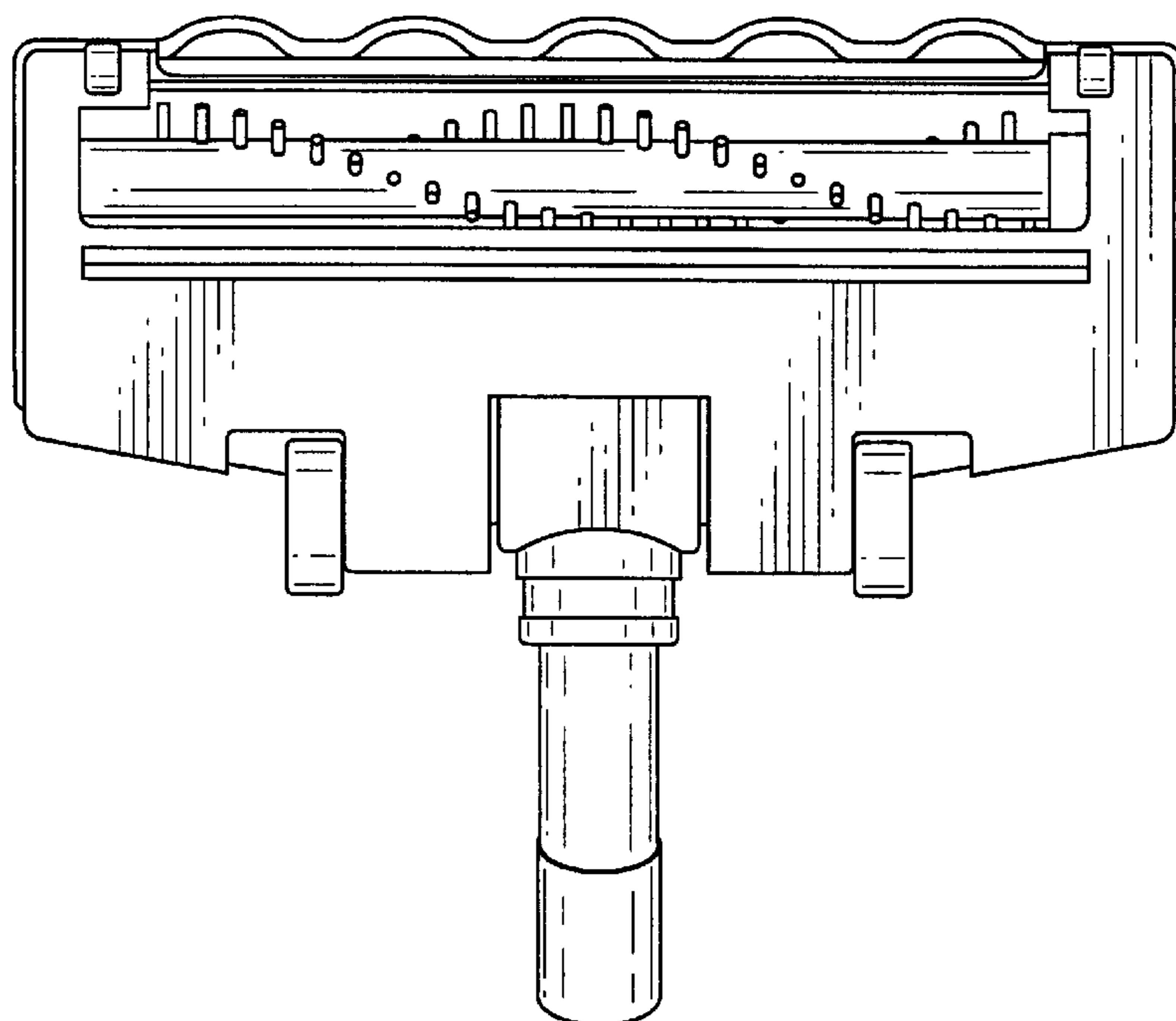


Fig. 6

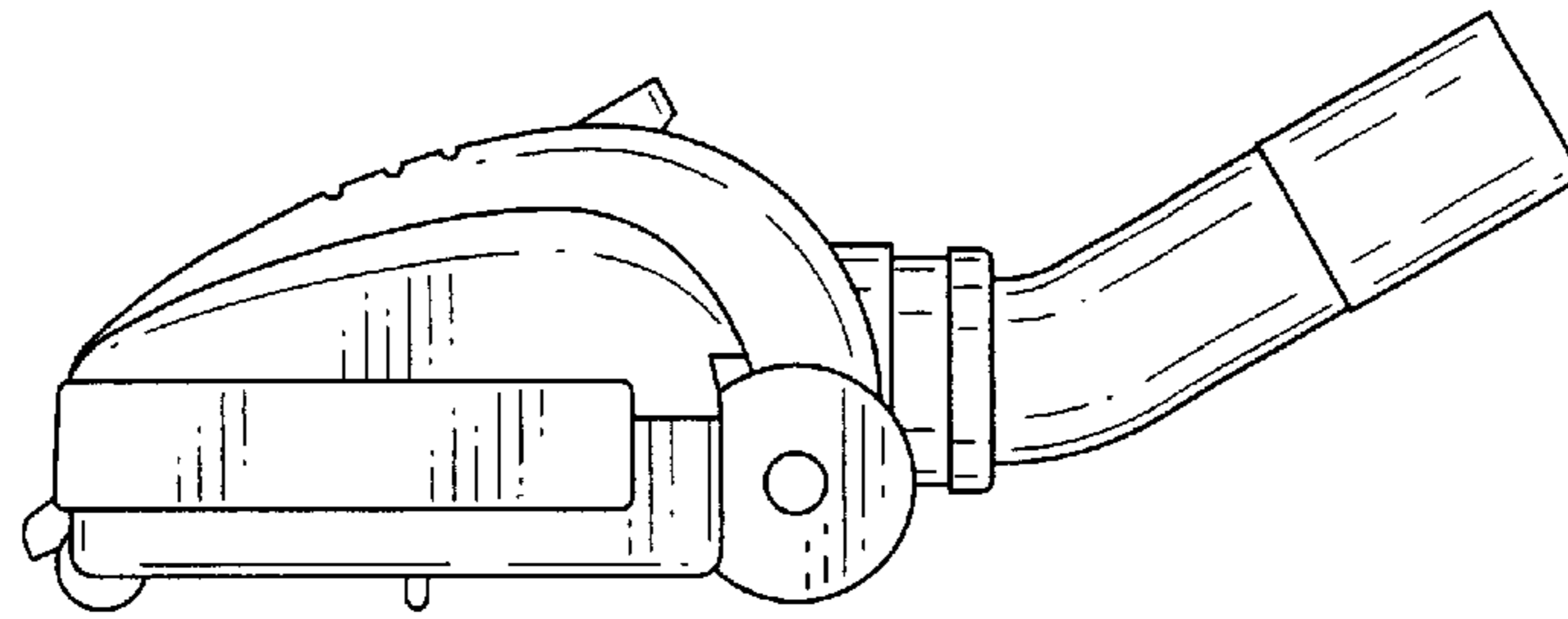


Fig. 7

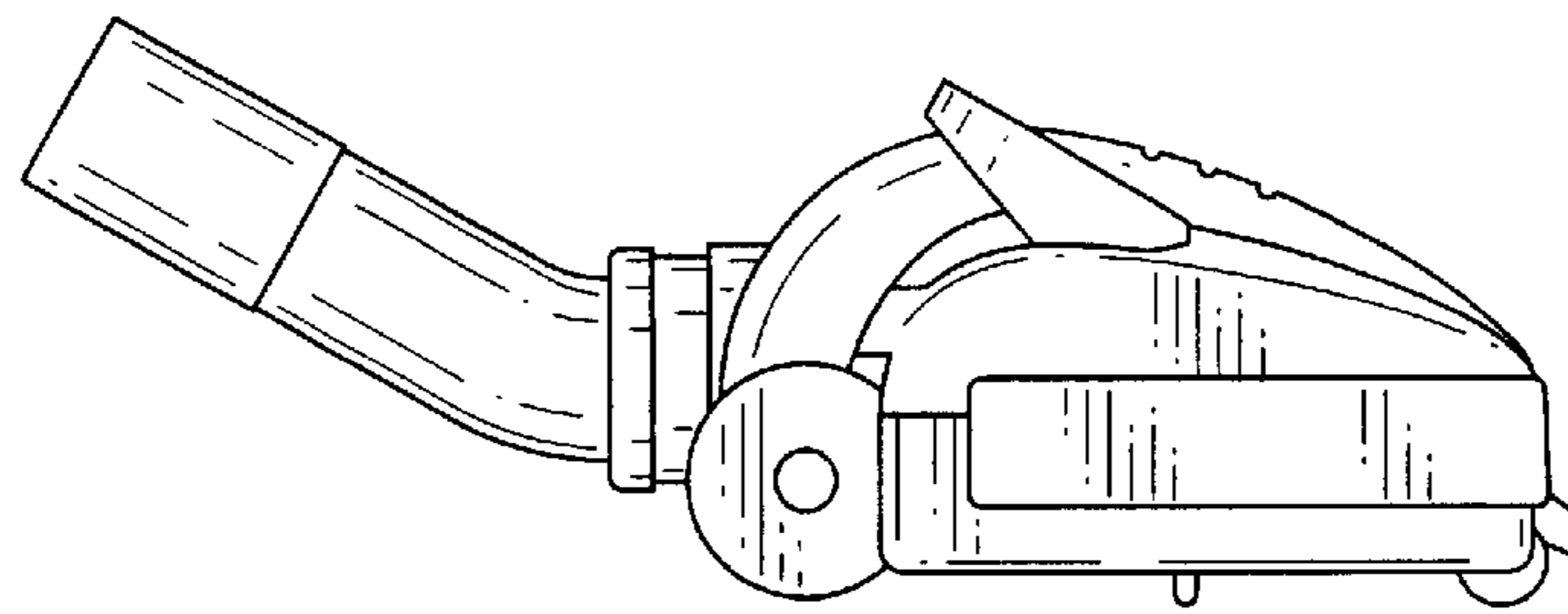


Fig. 8

