

US00D543668S

(12) **United States Design Patent**  
**Burnham et al.**

(10) **Patent No.:** **US D543,668 S**

(45) **Date of Patent:** **\*\* May 29, 2007**

(54) **VACUUM CLEANER**

(75) Inventors: **Gavin Burnham**, Birmingham (GB);  
**Reuben Proud**, Worcester (GB); **Bengt Ivar Anders Ivarsson**, Hong Kong (HK)

(73) Assignee: **VAX Limited**, Droitwich (GB)

(\*\*) Term: **14 Years**

(21) Appl. No.: **29/240,117**

(22) Filed: **Oct. 7, 2005**

(30) **Foreign Application Priority Data**

Apr. 8, 2005 (EM) ..... 000323787-0001/-0005

(51) **LOC (8) Cl.** ..... **15-05**

(52) **U.S. Cl.** ..... **D32/21**

(58) **Field of Classification Search** ..... D32/1,  
D32/4, 15, 17-18, 21, 23-24, 31, 34; 15/301,  
15/314-315, 319, 320-322, 340.1, 321, 323,  
15/327.1, 327.6, 327.7, 335, 344-345, 347,  
15/353, 355, 388, 410-412, 414, 415.1, 429;  
D23/225; 68/222; 134/18; 700/245; 701/23  
See application file for complete search history.

(56) **References Cited**

**U.S. PATENT DOCUMENTS**

D324,929 S *	3/1992	Burns	.....	D32/21
5,125,127 A	6/1992	Bach et al.		
5,135,552 A	8/1992	Weistra		
5,351,362 A	10/1994	Kramer et al.		
5,500,979 A	3/1996	Wörwag		
D398,093 S *	9/1998	Fujima	.....	D32/21
5,960,514 A	10/1999	Miller et al.		
6,350,292 B1	2/2002	Lee et al.		
6,572,668 B1	6/2003	An et al.		
D491,703 S *	6/2004	Harada	.....	D32/21
D499,219 S *	11/2004	Collins	.....	D32/21
D518,254 S *	3/2006	Stratford et al.	.....	D32/21

2002/0011053 A1	1/2002	Oh		
2002/0062632 A1	5/2002	Oh		
2002/0088078 A1	7/2002	Oh et al.		
2002/0120998 A1	9/2002	Dubos et al.		
2002/0124538 A1	9/2002	Oh et al.		
2003/0106182 A1	6/2003	Lee		
2003/0106183 A1	6/2003	Frederick et al.		
2006/0107630 A1 *	5/2006	Ivarsson et al.	.....	55/345

**FOREIGN PATENT DOCUMENTS**

DE	38 34 686		12/1989
DE	94 20 797.6 U1		7/1995
DE	299 00 460 U1		8/2000
DE	199 14 574 C1		11/2000
DE	101 10 771 A1		9/2002
EP	1 386 573 A2		2/2004
FR	2 425 227		12/1979
WO	WO 98/35602 A1		8/1998
WO	WO 2004/049887 A1		6/2004
WO	WO 2004/049890 A1		6/2004
WO	WO 2004/052166 A1		6/2004

\* cited by examiner

*Primary Examiner*—Ruth McInroy

(74) *Attorney, Agent, or Firm*—Brinks Hofer Gilson & Lione

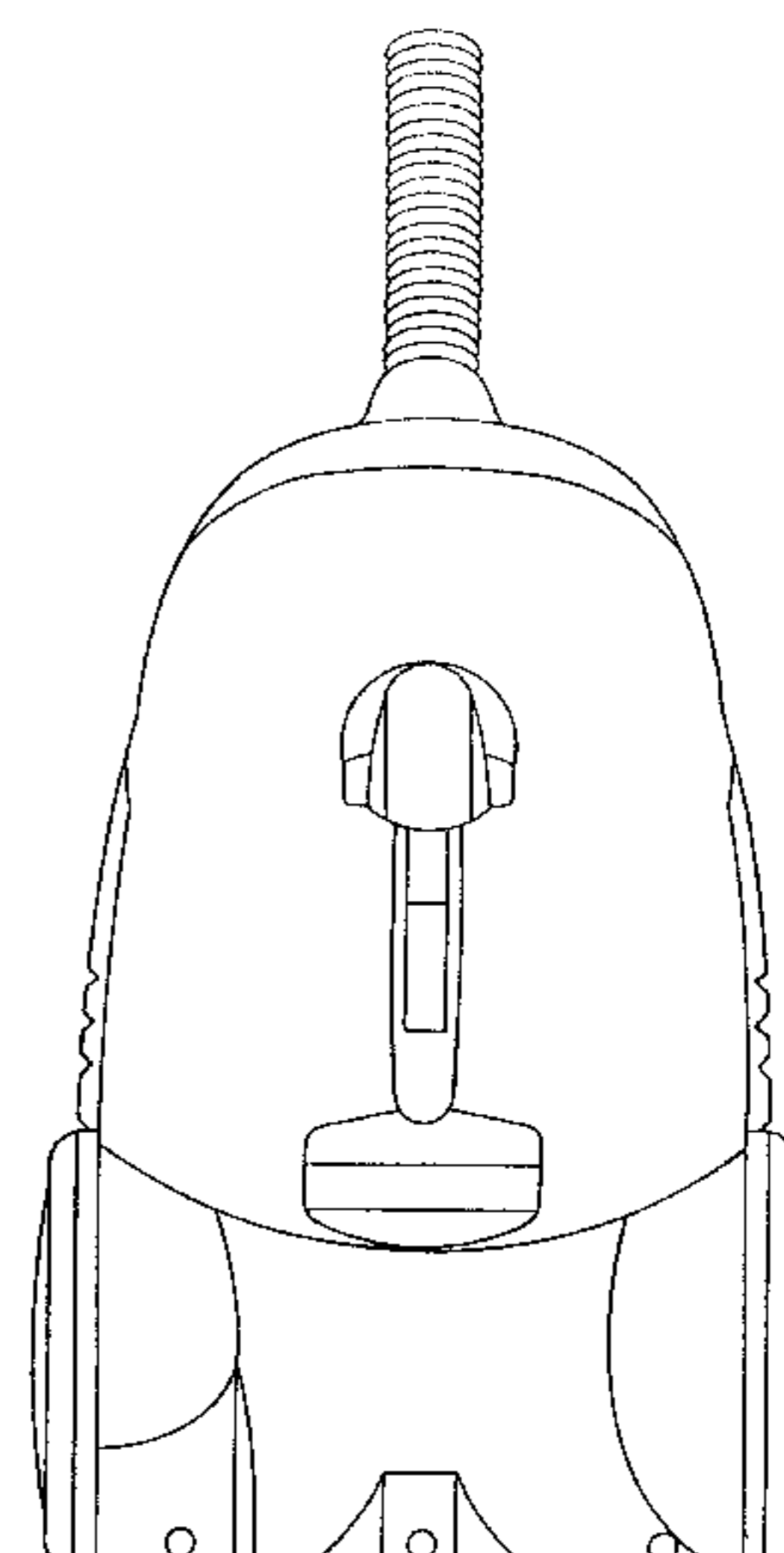
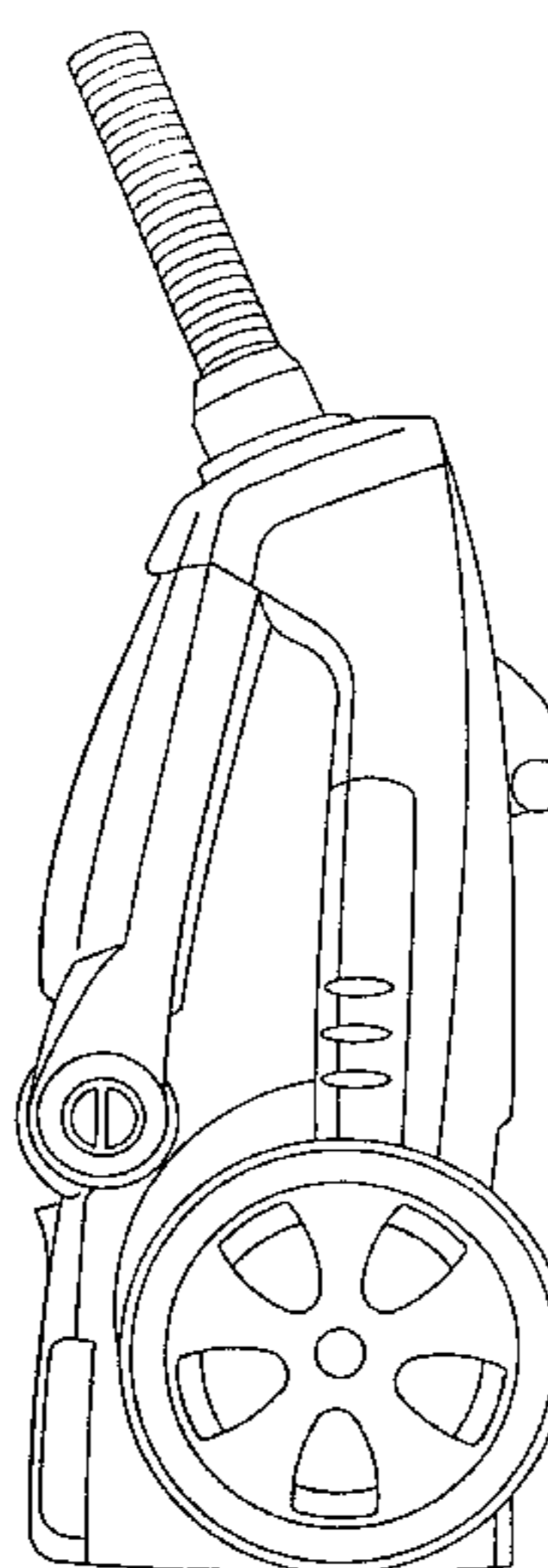
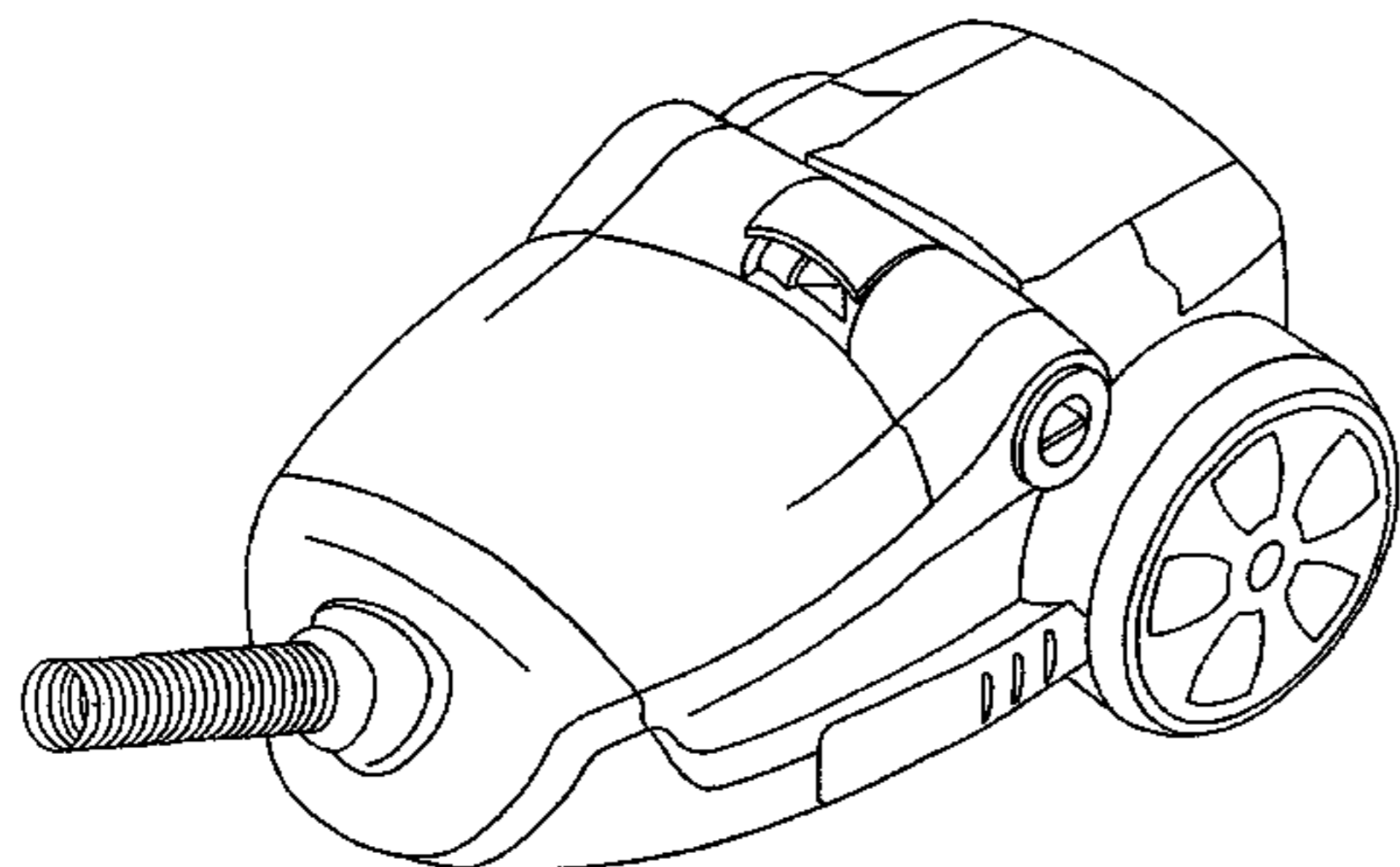
(57) **CLAIM**

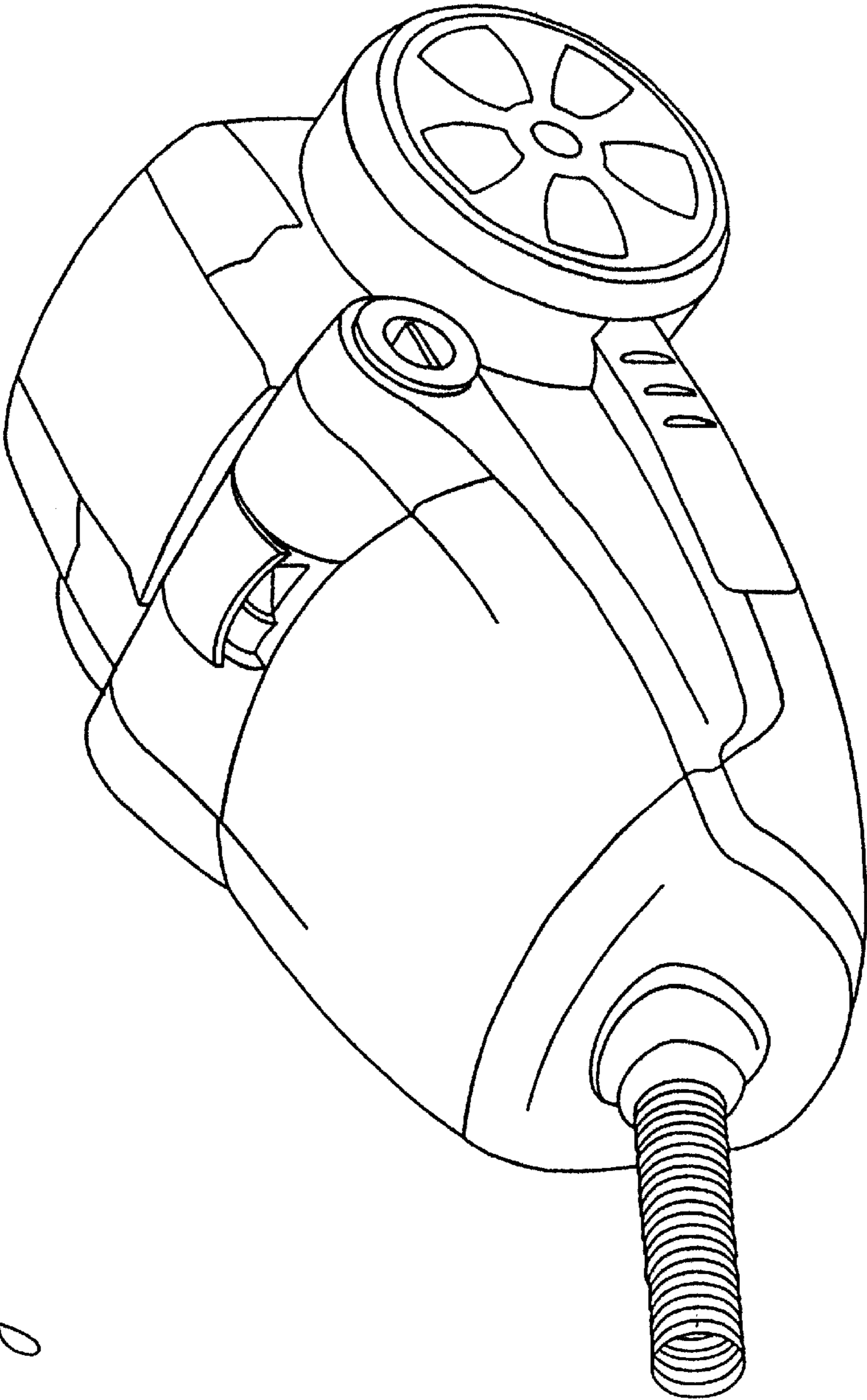
We claim the ornamental design for a vacuum cleaner, as shown and described.

**DESCRIPTION**

FIG. 1 is a perspective view of a vacuum cleaner showing our new design;  
FIG. 2 is a right side view thereof, the left side being a mirror image;  
FIG. 3 is a front view thereof;  
FIG. 4 is a rear view thereof;  
FIG. 5 is a bottom view thereof; and,  
FIG. 6 is a top view thereof.

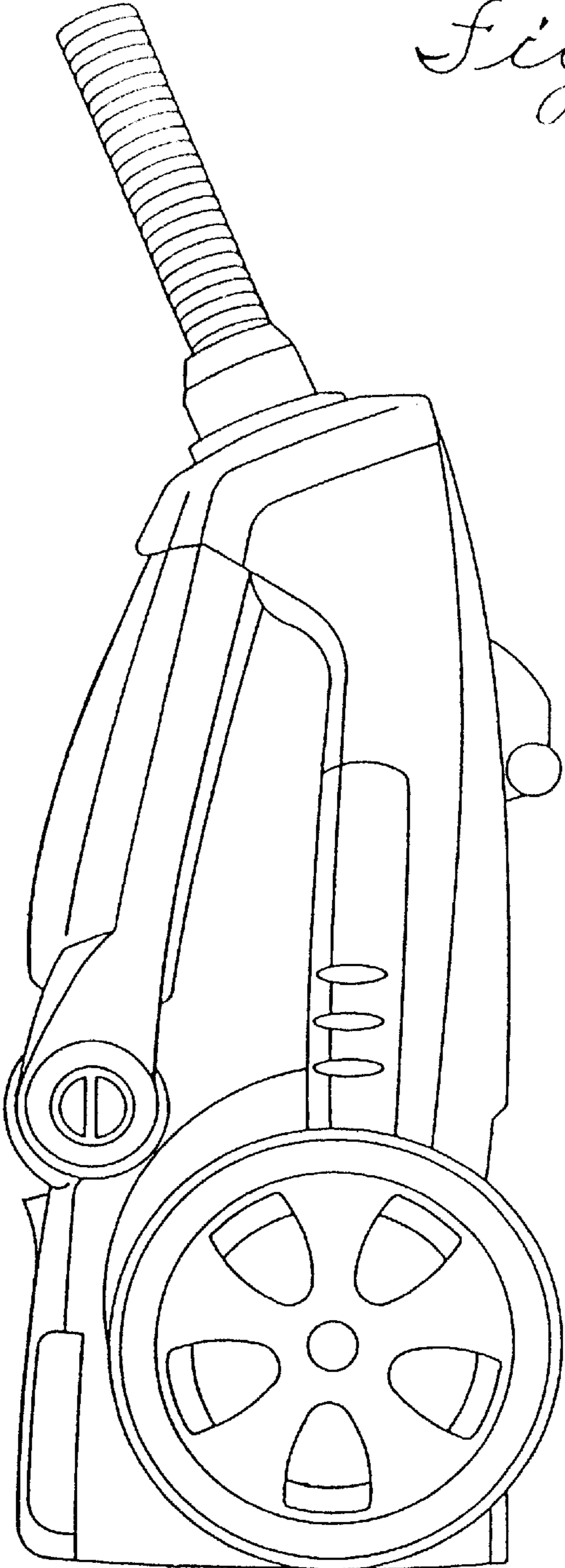
**1 Claim, 5 Drawing Sheets**

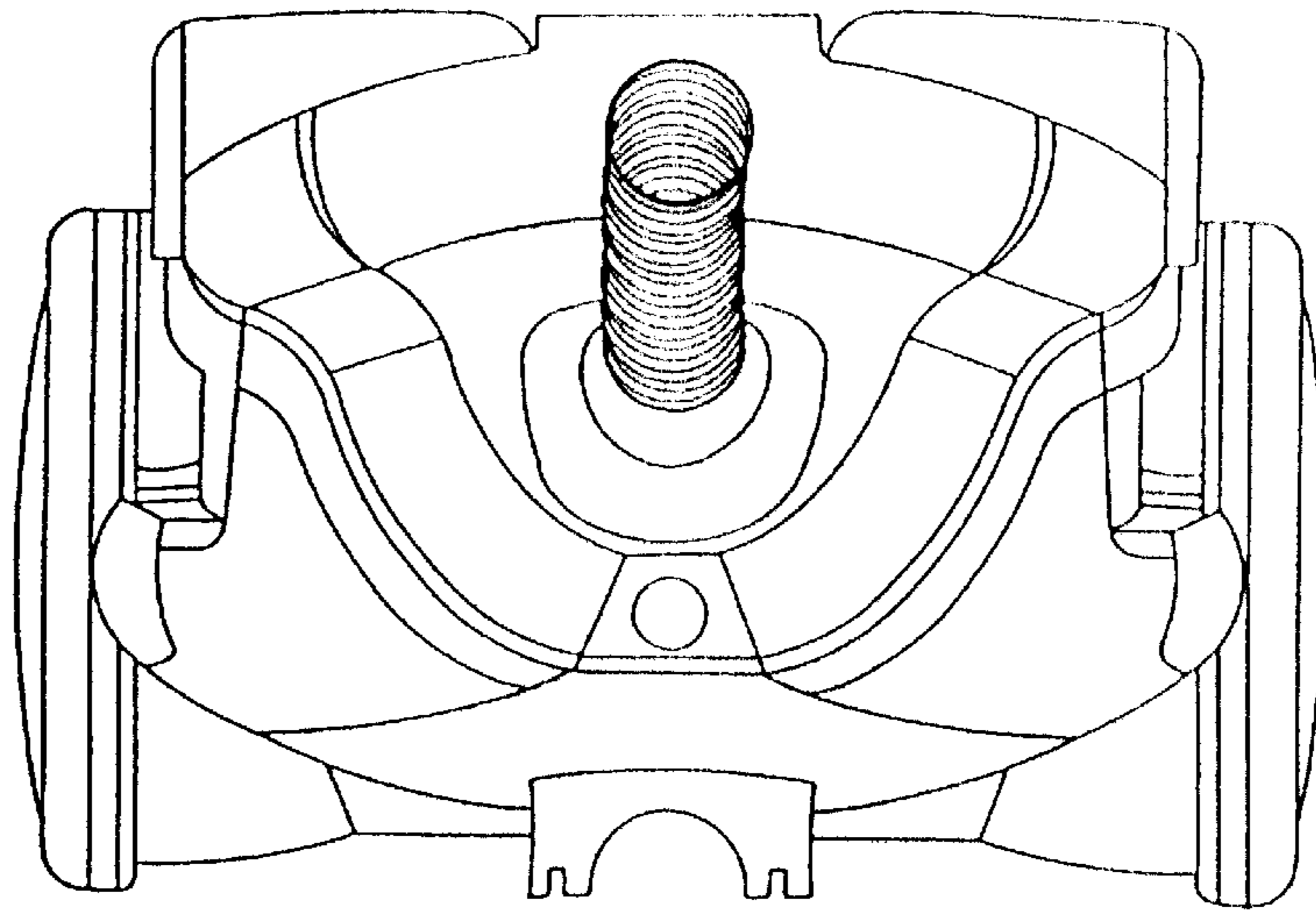




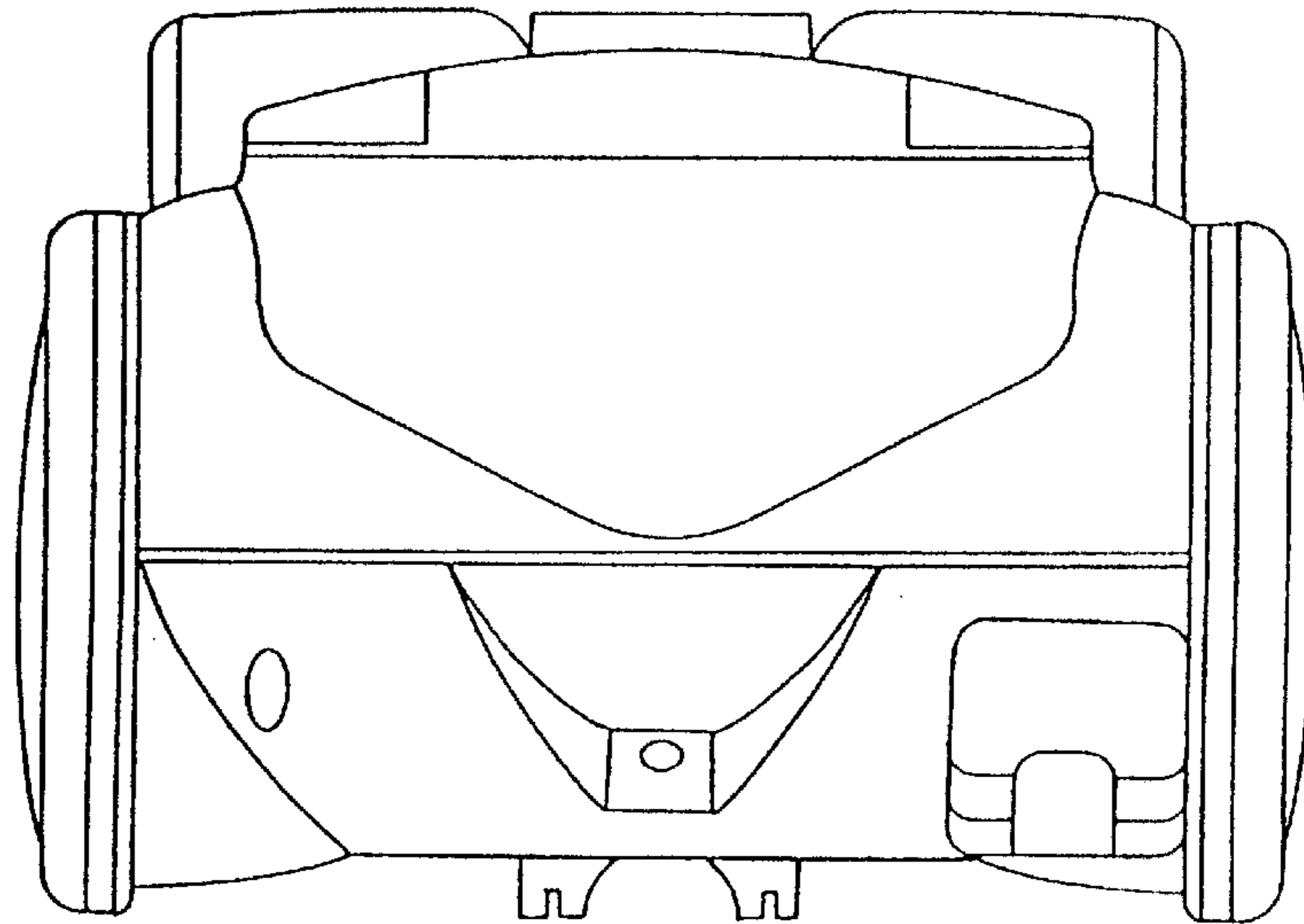
*Fig. 1*

*Fig. 2*



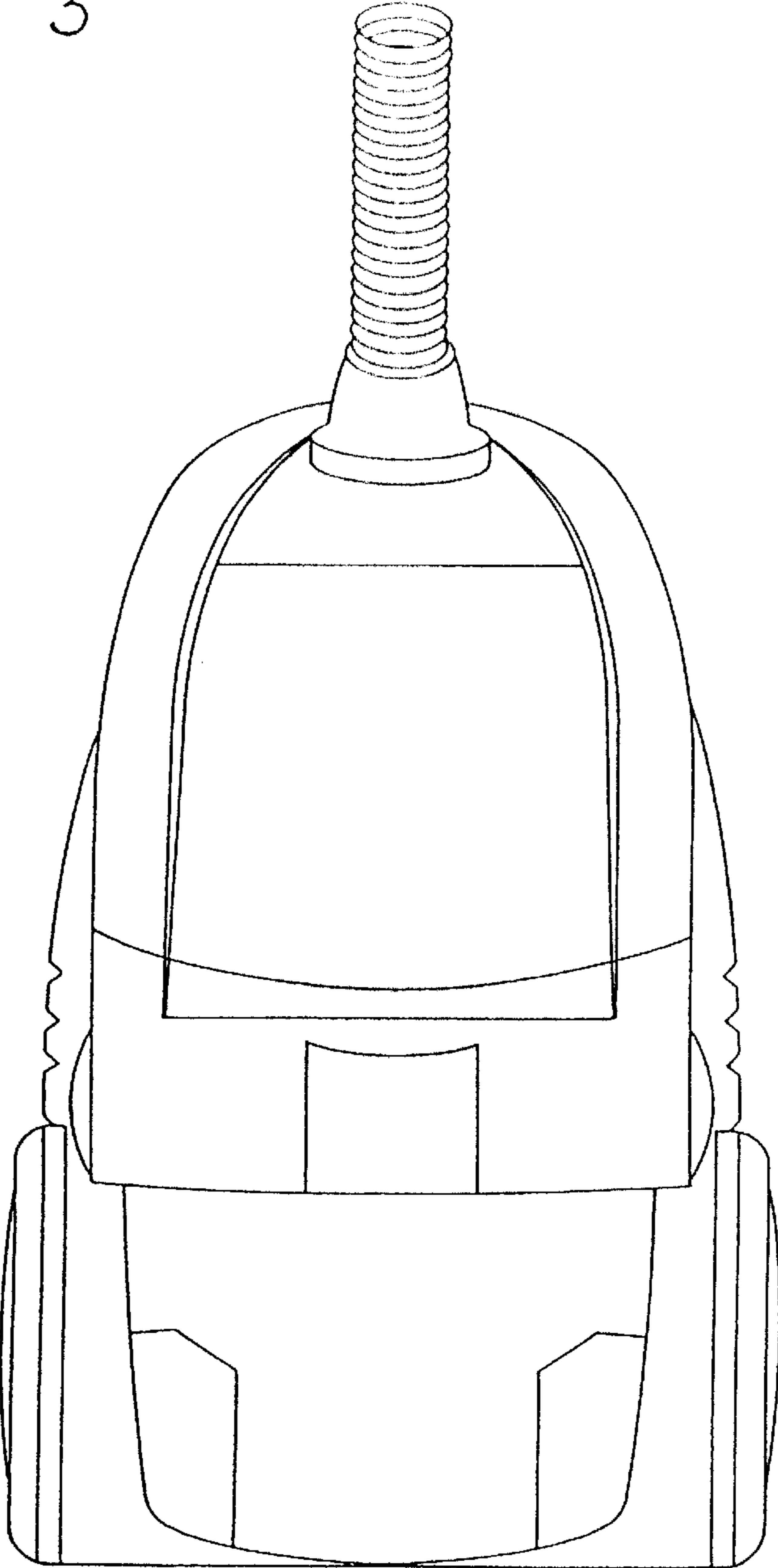


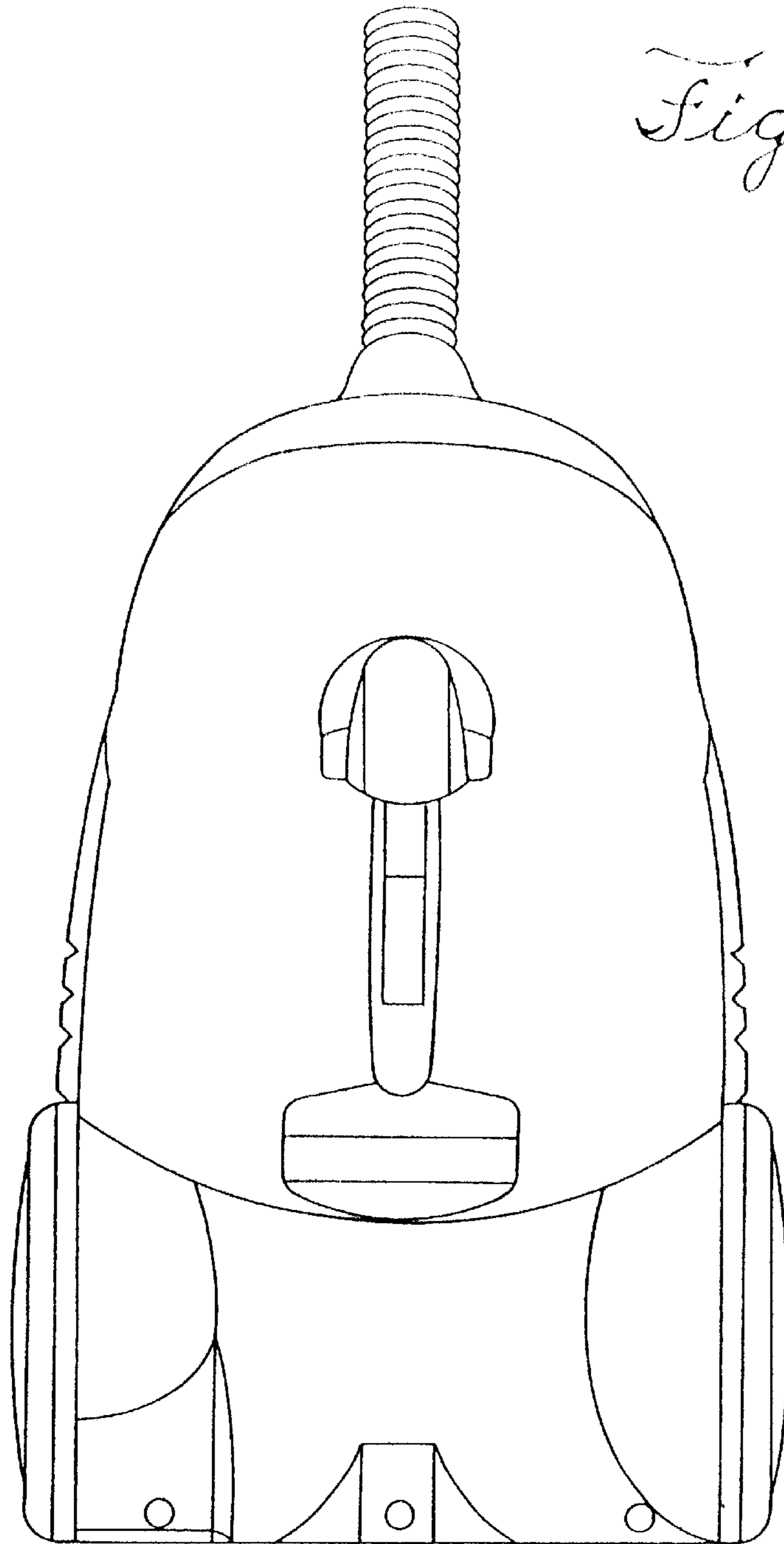
*Fig. 3*



*Fig. 4*

*Fig. 5*





*Fig. 6*