

US00D543666S

(12) **United States Design Patent**  
**Ross et al.**

(10) **Patent No.: US D543,666 S**

(45) **Date of Patent: \*\* May 29, 2007**

(54) **GAME FEEDER**

(76) Inventors: **Daniel S. Ross**, 111 Spence Dr., Wylie,  
TX (US) 75098; **Thomas Boyer**, 210 S.  
Hwy. 175, Seagoville, TX (US) 75159

(\*\*) Term: **14 Years**

(21) Appl. No.: **29/237,016**

(22) Filed: **Aug. 25, 2005**

(51) **LOC (8) Cl. .... 30-03**

(52) **U.S. Cl. .... D30/133**

(58) **Field of Classification Search** ..... D30/121,  
D30/122, 124, 127, 128, 132, 133; 119/51.01,  
119/61, 51.04, 53, 57.91, 54, 53.5, 52.4, 51.11,  
119/63, 61.2, 52.1; 239/7, 687, 379, 397.5;  
222/199, 181.1, 181.2

See application file for complete search history.

5,740,757 A *	4/1998	Smeester	.....	119/51.02
D397,527 S *	8/1998	Bruder et al.	.....	D30/121
5,906,174 A *	5/1999	Muldoon	.....	119/54
6,082,300 A *	7/2000	Futch	.....	119/51.11
6,481,374 B1 *	11/2002	Lillig	.....	119/52.1
6,510,813 B1 *	1/2003	Boone, Jr.	.....	119/57.91
6,622,653 B1 *	9/2003	Starnes, Jr.	.....	119/51.01
D486,946 S *	2/2004	Castro	.....	D30/121
6,691,640 B1 *	2/2004	Huckabee	.....	119/51.01
D488,889 S *	4/2004	Walsh	.....	D30/121
6,920,841 B2 *	7/2005	Meritt	.....	119/51.01

\* cited by examiner

*Primary Examiner*—M. H. Tung

*Assistant Examiner*—Susan Moon Lee

(74) *Attorney, Agent, or Firm*—Charles D. Gunter, Jr.

(57) **CLAIM**

We claim the ornamental design for a game feeder, as shown and described.

(56) **References Cited**

**U.S. PATENT DOCUMENTS**

3,330,257 A *	7/1967	Warner, Sr.	.....	119/61.3
3,730,142 A *	5/1973	Kahrs et al.	.....	119/54
4,538,548 A *	9/1985	Page	.....	119/52.1
4,986,220 A *	1/1991	Reneau et al.	.....	119/57.91
5,086,730 A *	2/1992	Figley	.....	119/52.3
D326,741 S *	6/1992	Powers	.....	D30/121
5,339,996 A *	8/1994	Dubbert et al.	.....	222/185.1
D373,659 S *	9/1996	Miller	.....	D30/121

**DESCRIPTION**

FIG. 1 is a front perspective view of a game feeder according to the present invention;

FIG. 2 is a rear view thereof;

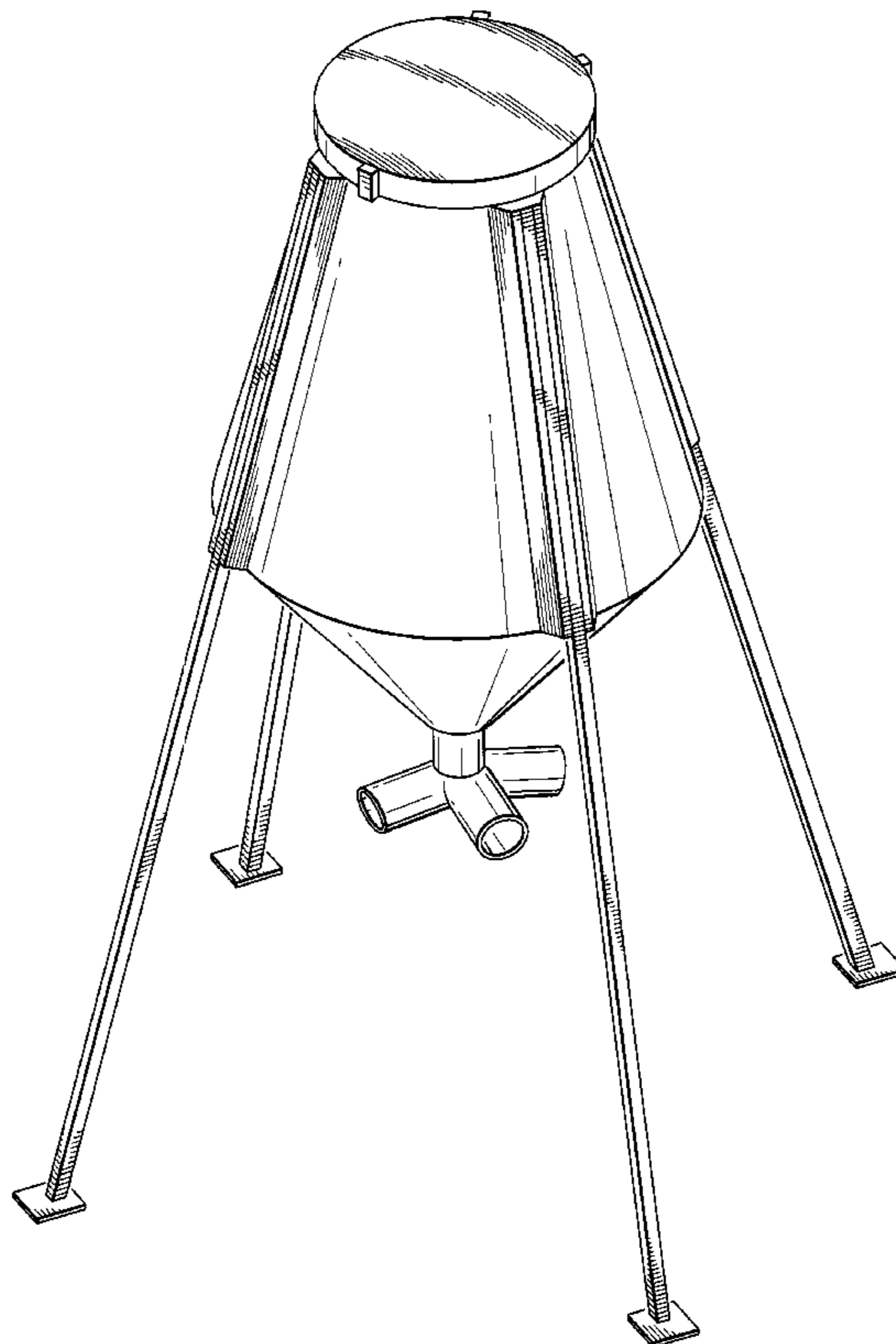
FIG. 3 is a left side view thereof;

FIG. 4 is a right side view thereof;

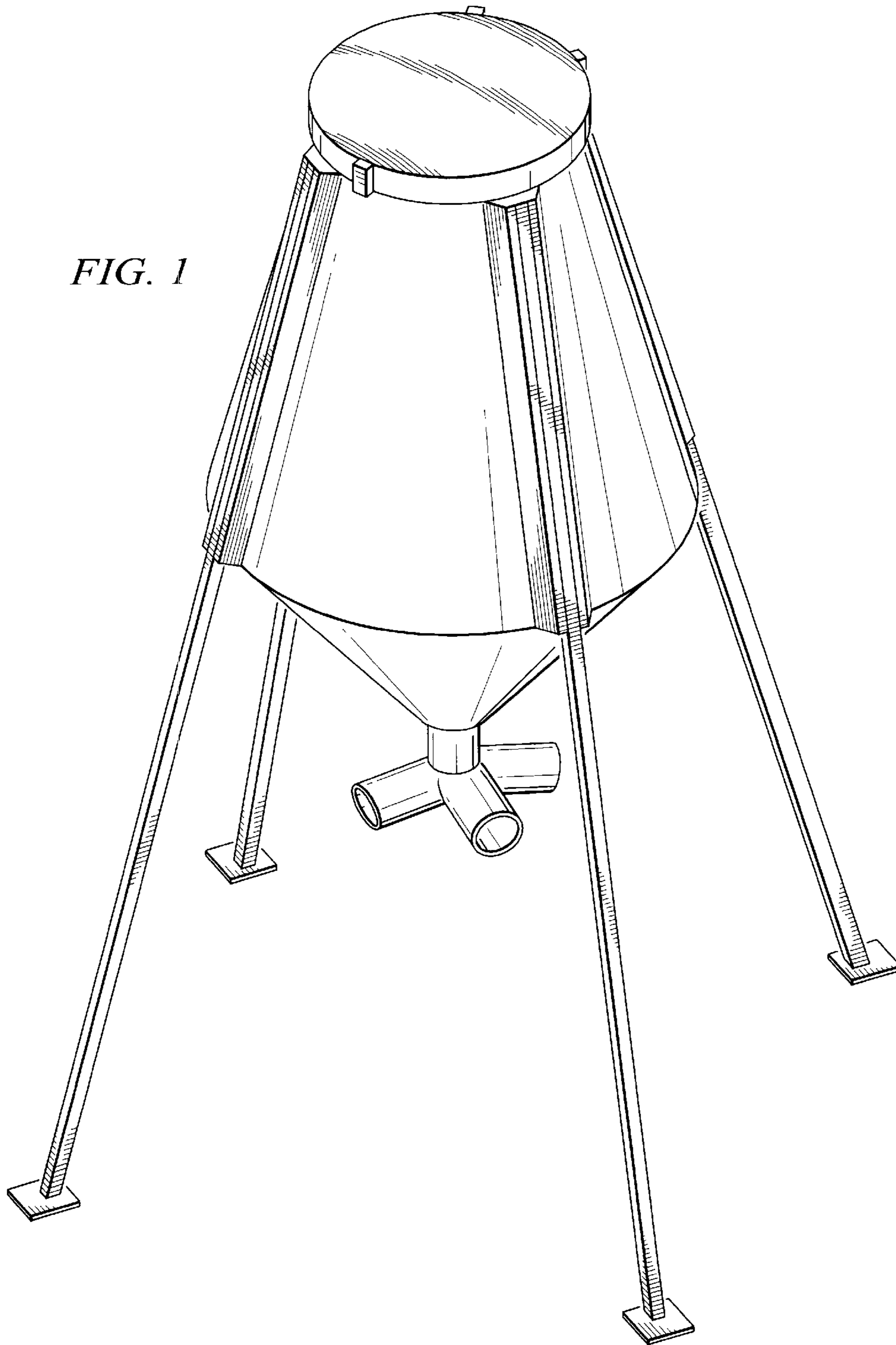
FIG. 5 is a top view thereof; and,

FIG. 6 is a bottom view thereof.

**1 Claim, 6 Drawing Sheets**



*FIG. 1*



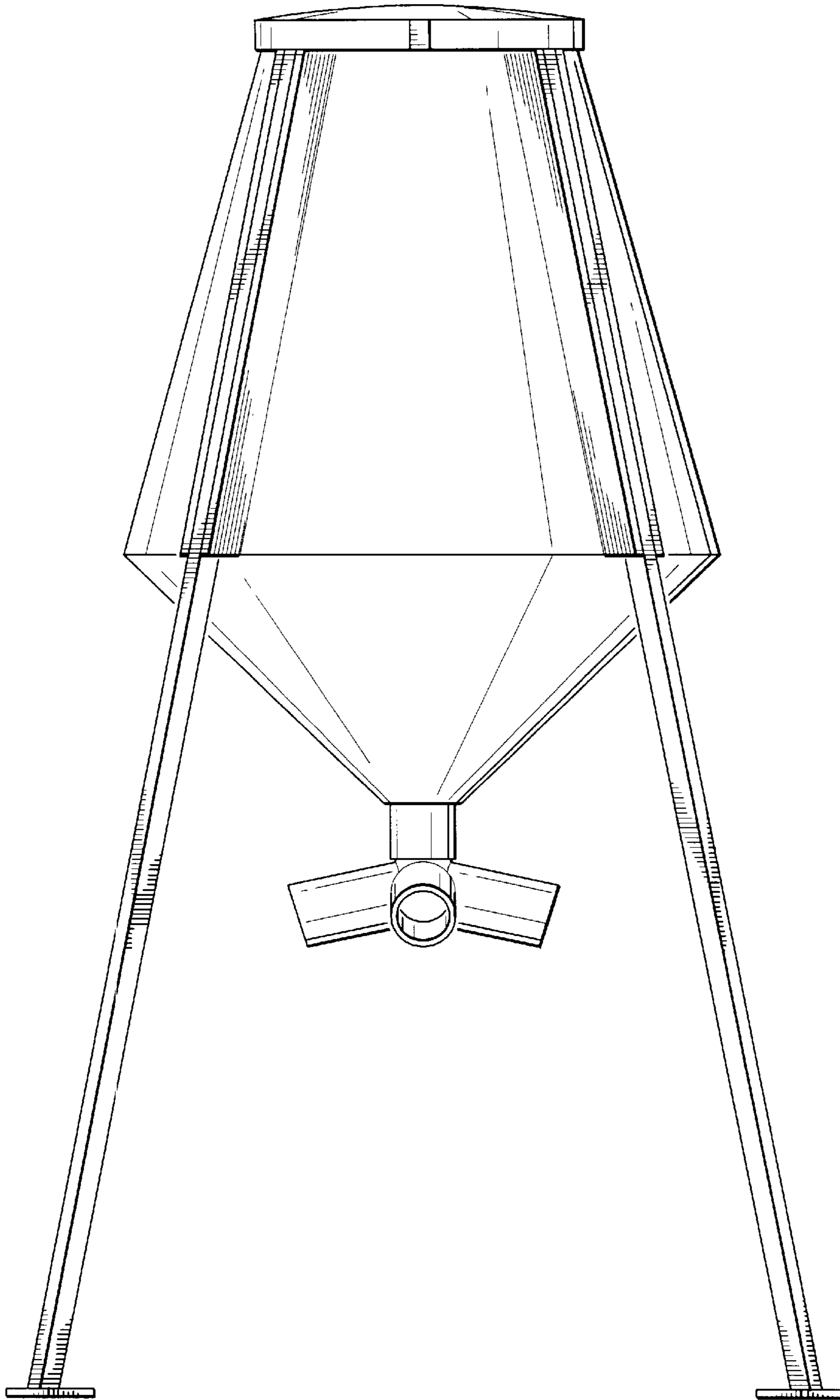
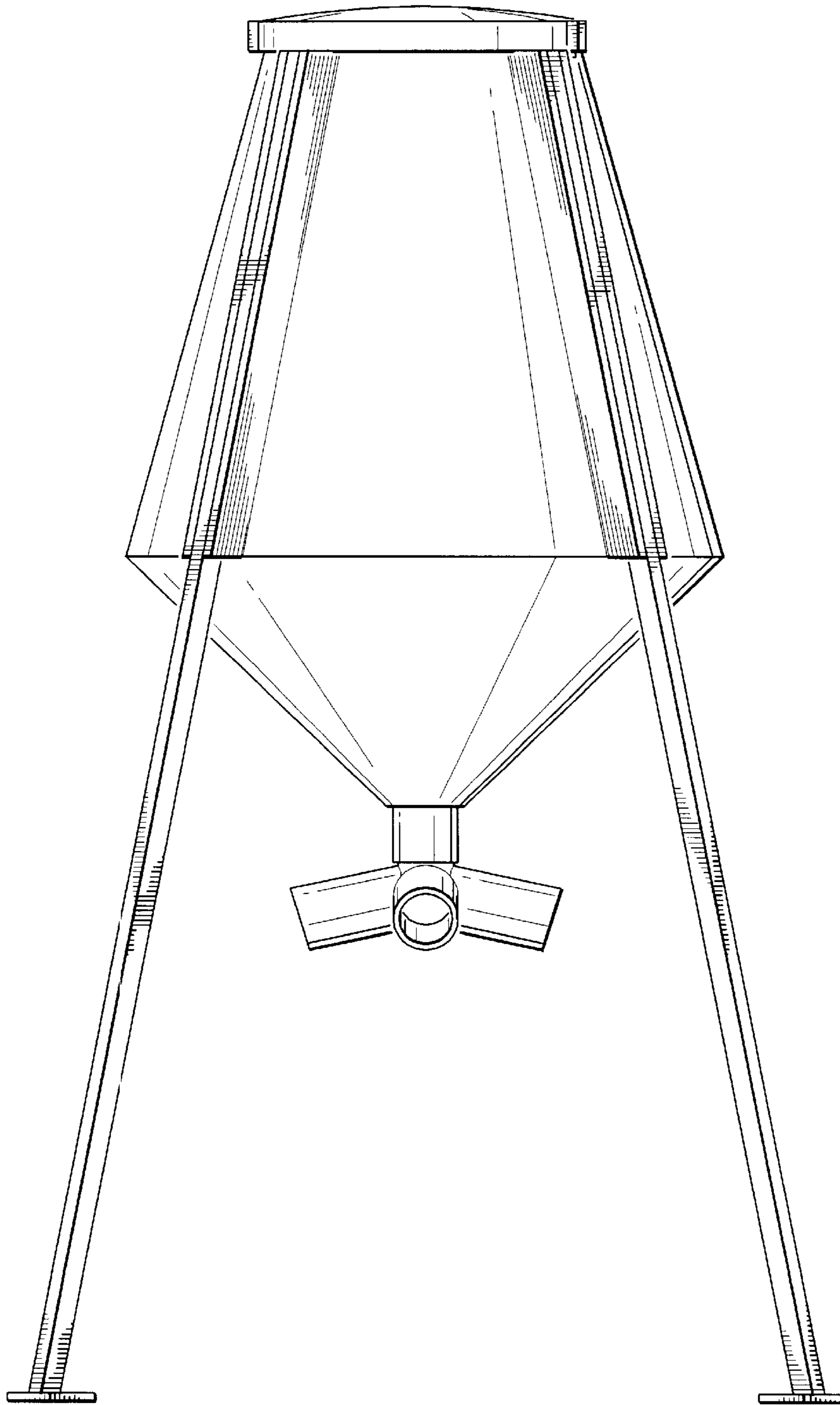


FIG. 2



*FIG. 3*

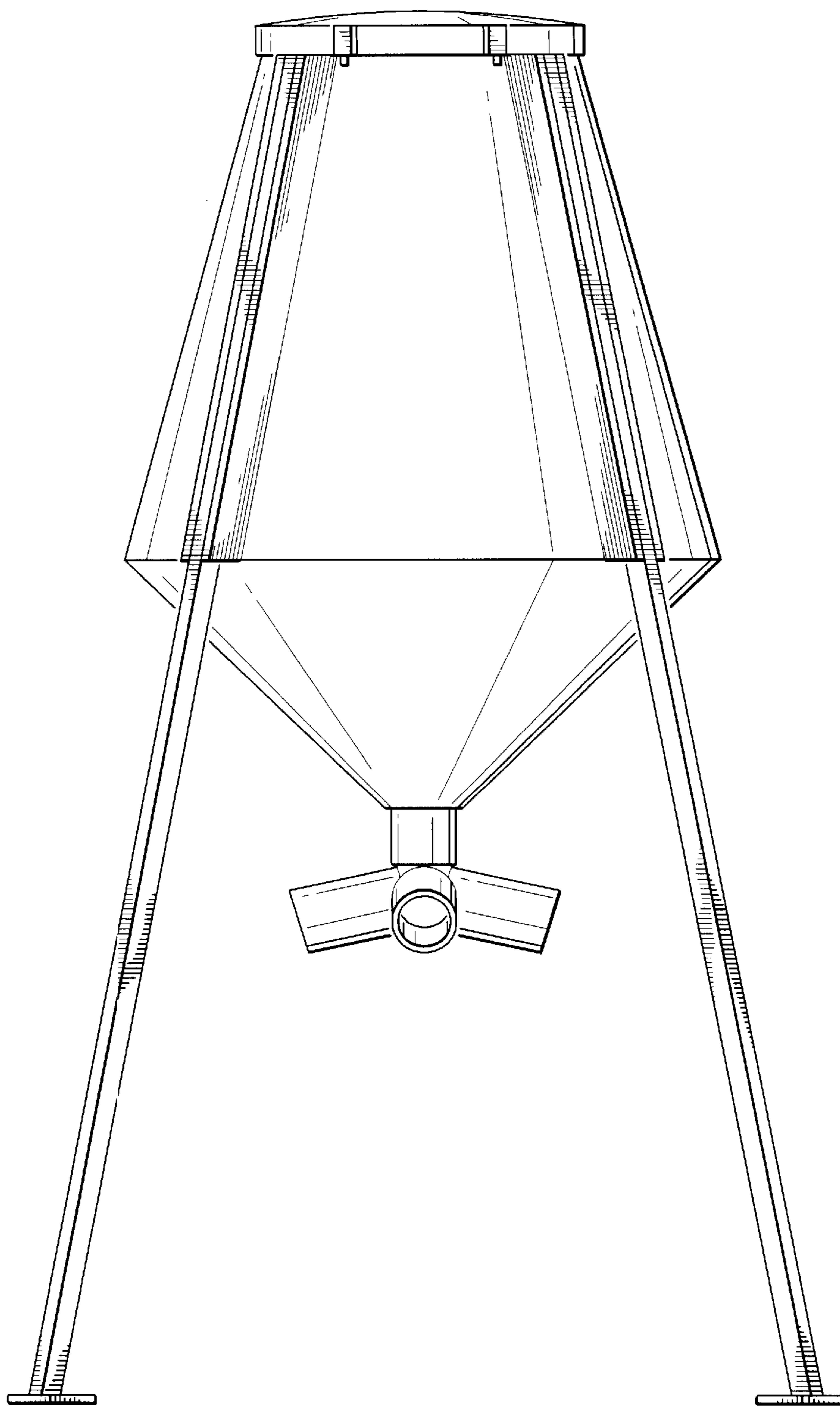


FIG. 4



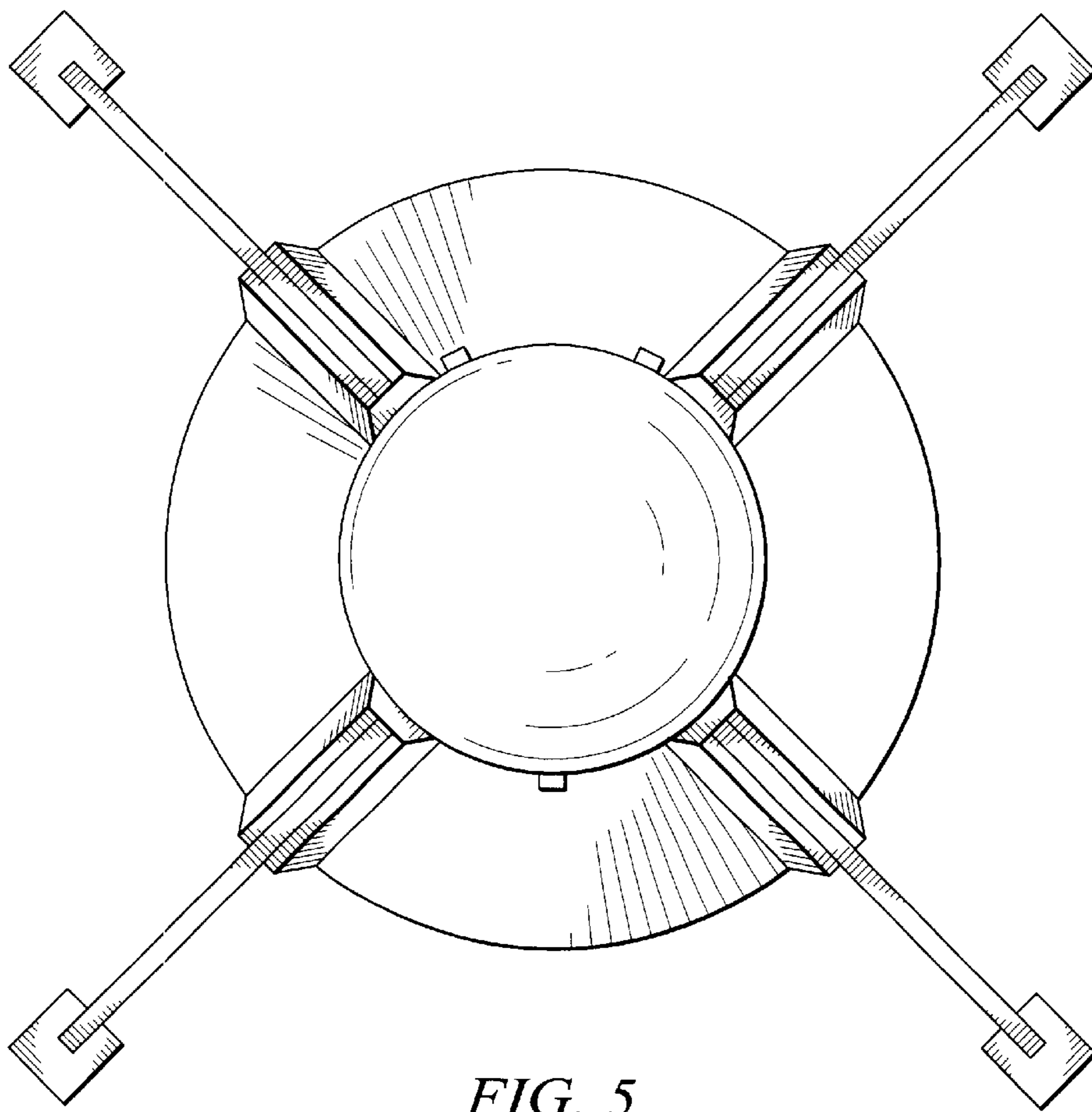


FIG. 5

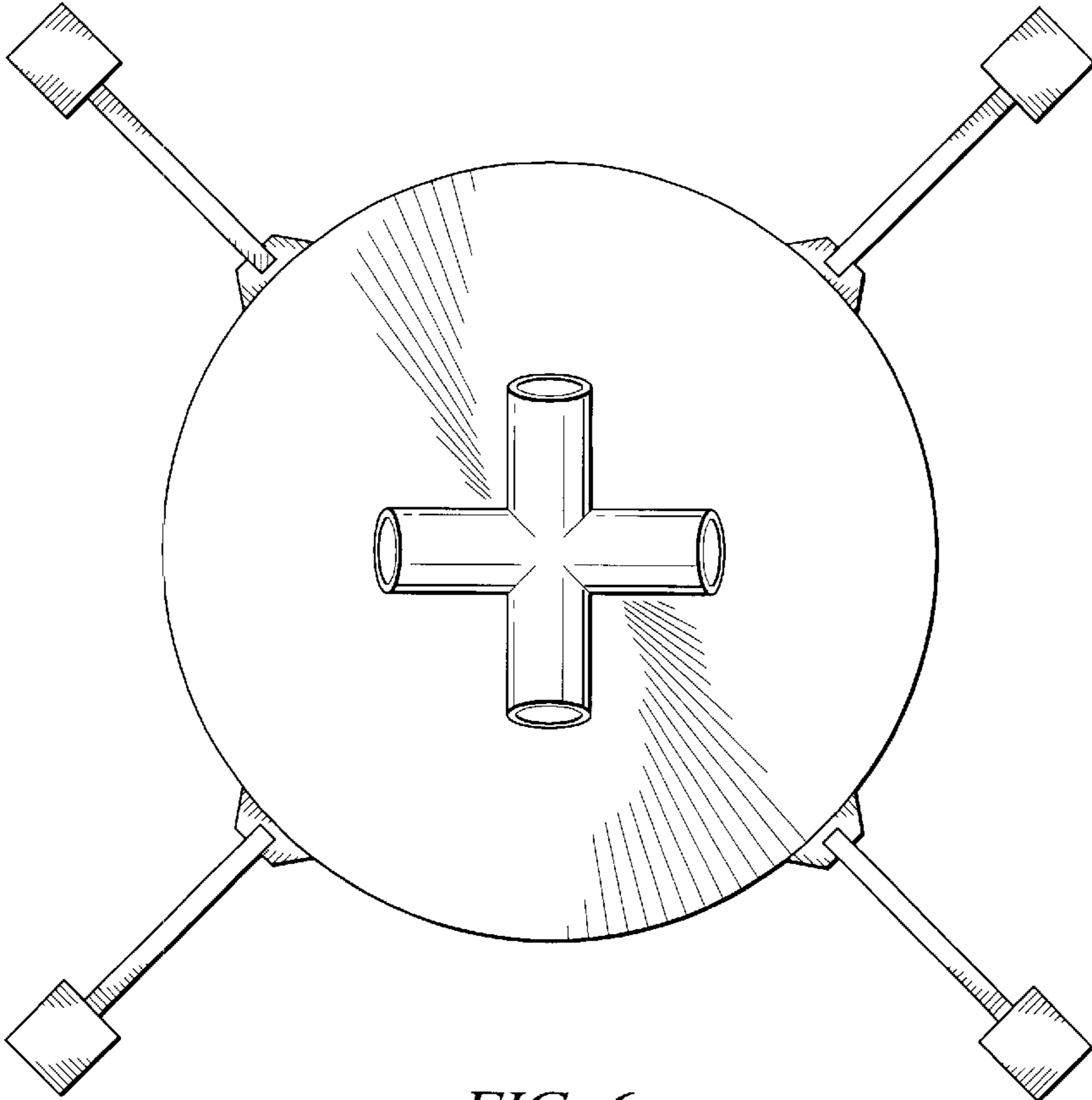


FIG. 6