



US00D543659S

(12) **United States Design Patent**
Cheung

(10) **Patent No.:** **US D543,659 S**

(45) **Date of Patent:** **** May 29, 2007**

(54) **CROWN HEAD HAIR ROLLER**

(76) Inventor: **Maggie Pui Sze Cheung**, Block A1,
3/F, Tsing Yi Industrial Centre, Phase 1,
Tsing Yi, N. T, Hong Kong (CN)

(**) Term: **14 Years**

(21) Appl. No.: **29/258,893**

(22) Filed: **Apr. 27, 2006**

(51) **LOC (8) Cl.** **28-03**

(52) **U.S. Cl.** **D28/37**

(58) **Field of Classification Search** D28/37;
132/223-269; 219/222, 225

See application file for complete search history.

(56) **References Cited**

U.S. PATENT DOCUMENTS

- 2,788,788 A * 4/1957 Solomon 132/245
- 4,286,608 A * 9/1981 Handley et al. 132/245
- D287,298 S * 12/1986 Kibe et al. D28/37
- 5,558,107 A * 9/1996 Kim 132/228

- 5,606,983 A * 3/1997 Monty et al. 132/229
- 5,791,356 A * 8/1998 Muzzipapa 132/250
- 5,819,760 A * 10/1998 Wimer 132/229
- 6,070,594 A * 6/2000 Mears 219/222

* cited by examiner

Primary Examiner—Jennifer Rivard

(74) *Attorney, Agent, or Firm*—James E. Burton, Esq.

(57) **CLAIM**

The ornamental design for “crown head hair roller,” as shown.

DESCRIPTION

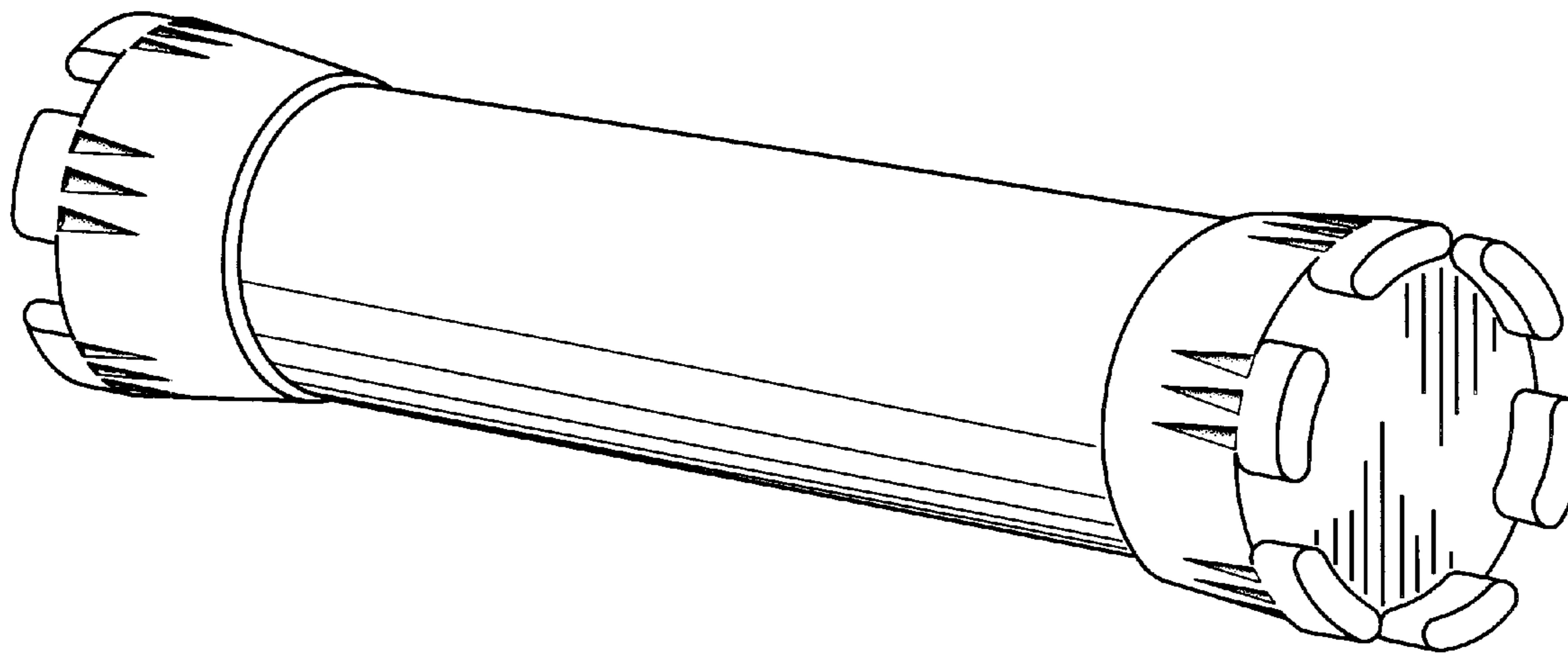
FIG. 1 is a perspective view of a “crown head hair roller” showing my new design;

FIG. 2 is a front view thereof, the rear view being identical thereto;

FIG. 3 is a right side view thereof, the opposite side being identical thereto; and,

FIG. 4 is a top plan view thereof; the bottom plan view being the mirror image thereof.

1 Claim, 2 Drawing Sheets



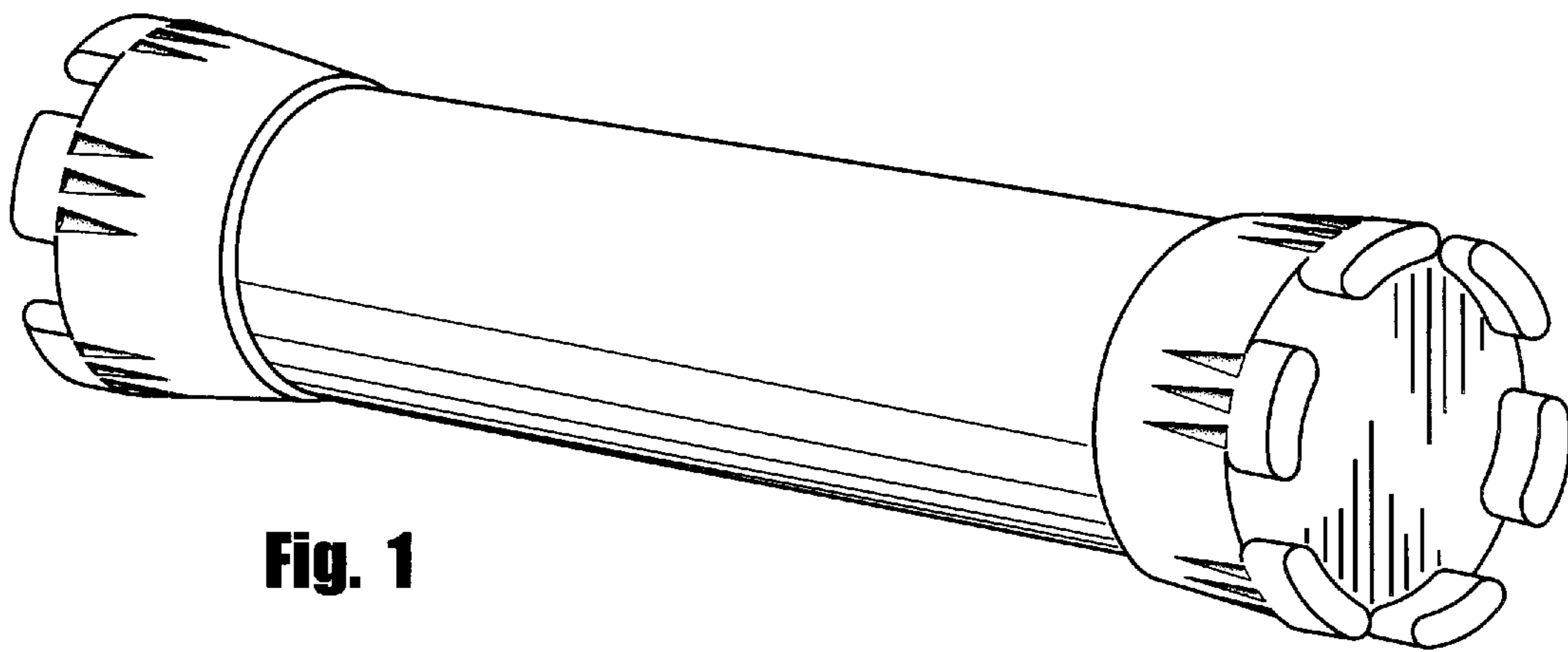


Fig. 1

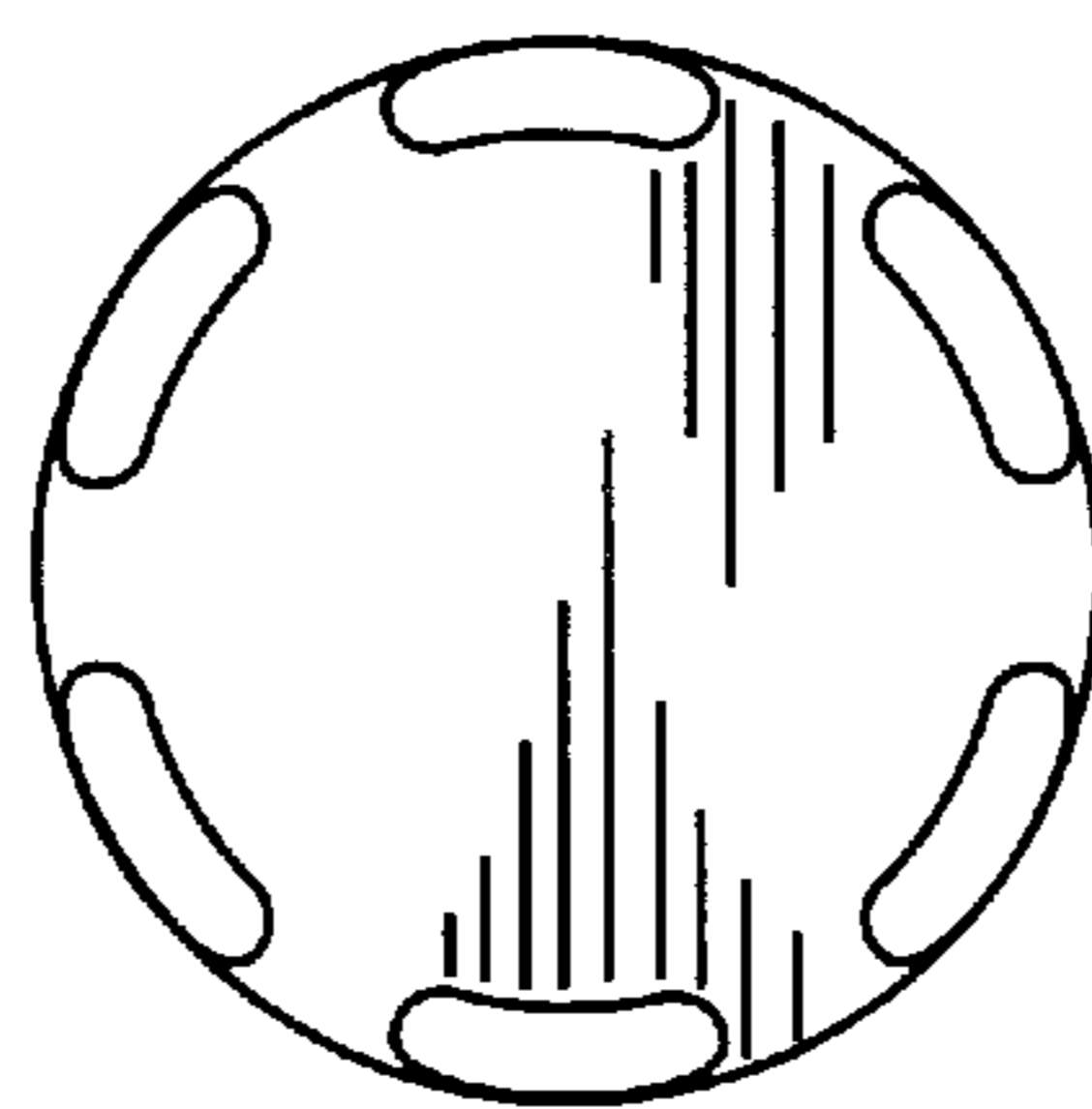


Fig. 2

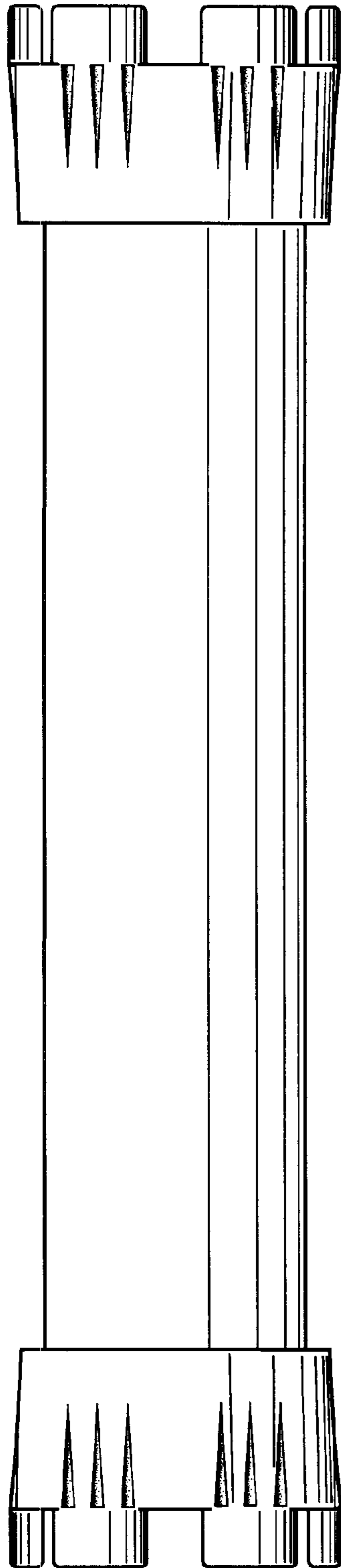


Fig. 3

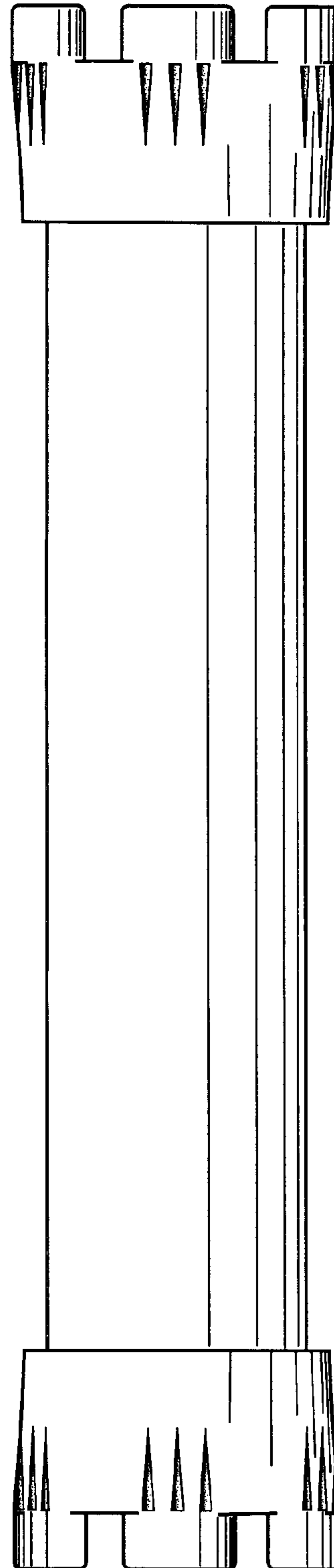


Fig. 4