



US00D543657S

(12) **United States Design Patent**  
**Lehman**

(10) **Patent No.: US D543,657 S**

(45) **Date of Patent: \*\* May 29, 2007**

(54) **LAMPHOLDER**

(75) Inventor: **Gregg Lehman**, Peachtree City, GA  
(US)

(73) Assignee: **Cooper Technologies Company**,  
Houston, TX (US)

(\*\*) Term: **14 Years**

(21) Appl. No.: **29/251,913**

(22) Filed: **Jan. 13, 2006**

**Related U.S. Application Data**

(63) Continuation of application No. 29/233,364, filed on Jun.  
30, 2005.

(51) **LOC (8) Cl.** ..... **26-99**

(52) **U.S. Cl.** ..... **D26/138**

(58) **Field of Classification Search** ..... D26/138,  
D26/72, 75, 76, 81, 113, 141, 155, 118, 119,  
D26/128; 362/269, 234, 247, 282, 147, 217,  
362/257, 260, 382, 404, 432; D6/308; 40/715  
See application file for complete search history.

(56) **References Cited**

**U.S. PATENT DOCUMENTS**

D32,309	S	*	3/1900	Sweetman	.....	D26/72
1,071,725	A	*	9/1913	Franks	.....	362/282
1,409,114	A	*	3/1922	Loveberg	.....	362/247
D94,402	S	*	1/1935	Brodbeck	.....	D7/402
D125,120	S	*	2/1941	Shulman	.....	D6/308
D128,284	S	*	7/1941	Herr	.....	D26/63
D258,009	S	*	1/1981	Wotowiec et al.	.....	D26/75
5,813,155	A	*	9/1998	Shen	.....	40/715
6,036,334	A	*	3/2000	Nakano	.....	362/234
D451,685	S	*	12/2001	Hermanson et al.	.....	D6/303
2001/0009511	A1	*	7/2001	Griffiths	.....	362/269
2003/0227776	A1	*	12/2003	Lin	.....	362/402

**OTHER PUBLICATIONS**

www.caprilighting.com, Capri Lighting, WW CT9574/  
CT9575, Apr. 4, 2006 (1 page).

www.caprilighting.com, Capri Lighting, WW CT9576/  
CT9577, Apr. 4, 2006 (1 page).

www.caprilighting.com, Capri Lighting, WW CT9578/  
CT9579, Apr. 4, 2006 (1 page).

www.caprilighting.com, Capri Lighting, WW CT9580/  
CT9581, Apr. 4, 2006 (1 page).

www.caprilighting.com, Capri Lighting, WW CT9582, Apr.  
4, 2006 (1 page).

(Continued)

*Primary Examiner*—Freda S. Nunn

*Assistant Examiner*—Kevin K. Rudzinski

(74) *Attorney, Agent, or Firm*—SAIDMAN DesignLaw  
Group

(57) **CLAIM**

The ornamental design for a lampholder, as shown and  
described.

**DESCRIPTION**

This application is related to co-pending applications: Ser.  
No. 11/322,837, filed Dec. 30, 2005 and titled “Halo Flex  
Track”; Ser. No. 11/324,099, filed Dec. 30, 2005 and titled  
“Halo Power Supplies”; Ser. No. 11/323/231, filed Dec. 30,  
2005 and titled “Halo Clam Shell Connections”; and Ser.  
No. 11/323/755, filed Dec. 30, 2005 and titled “Halo Hubs  
and Connections”.

FIG. 1 is a top, front perspective view of a first embodiment  
of a lampholder showing my new design;

FIG. 2 is a front view thereof;

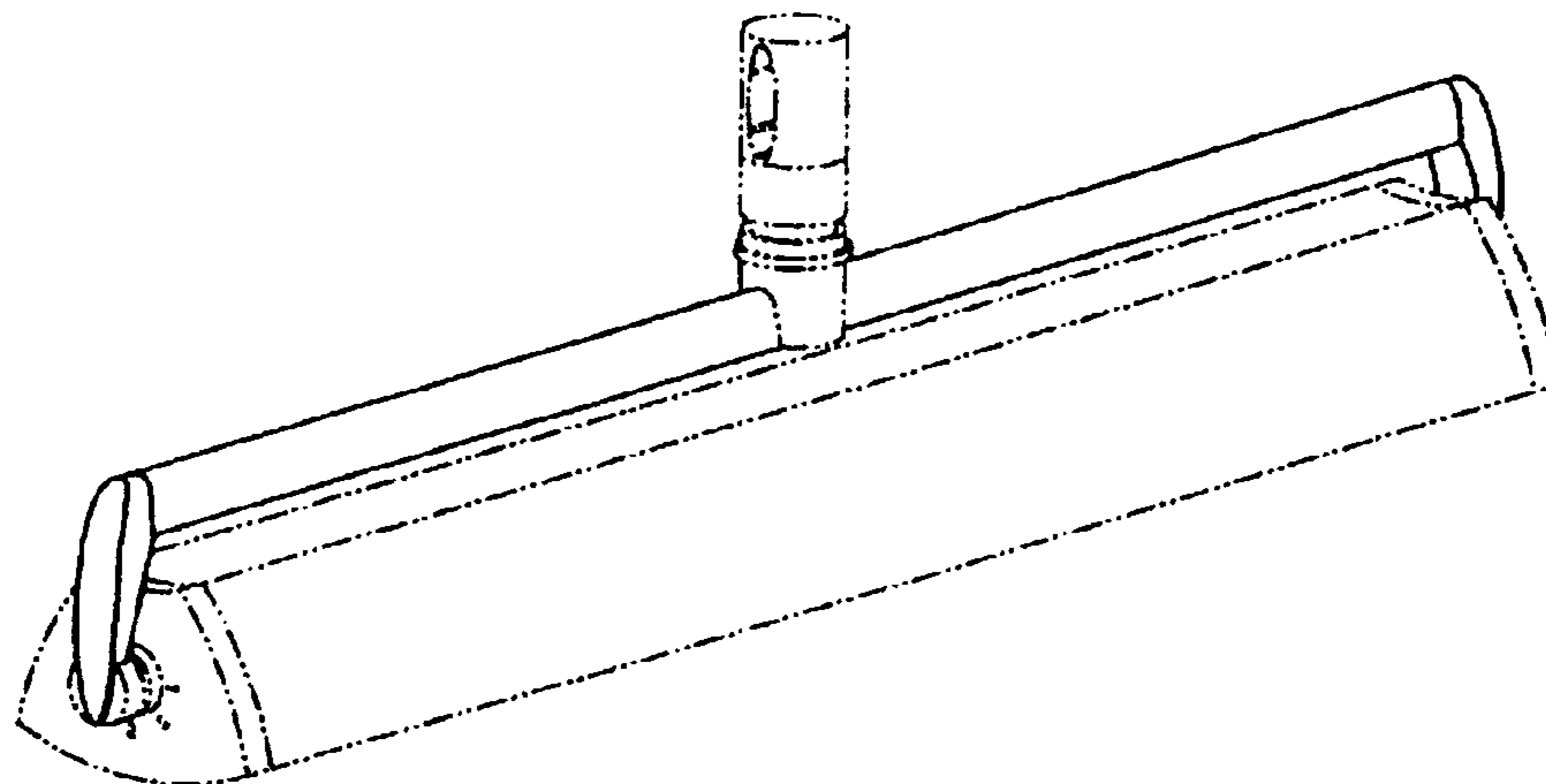
FIG. 3 is a left end view thereof;

FIG. 4 is a top view thereof; and,

FIG. 5 is a top, front perspective view of a second embodi-  
ment of a lampholder showing my new design.

The broken lines form no part of the claimed design.

**1 Claim, 3 Drawing Sheets**



OTHER PUBLICATIONS

Capri Lighting, CT9574, CT9575, Line Voltage 120V, Wall Wash, TR1-33, rev. Sep. 2005 (2 pages).

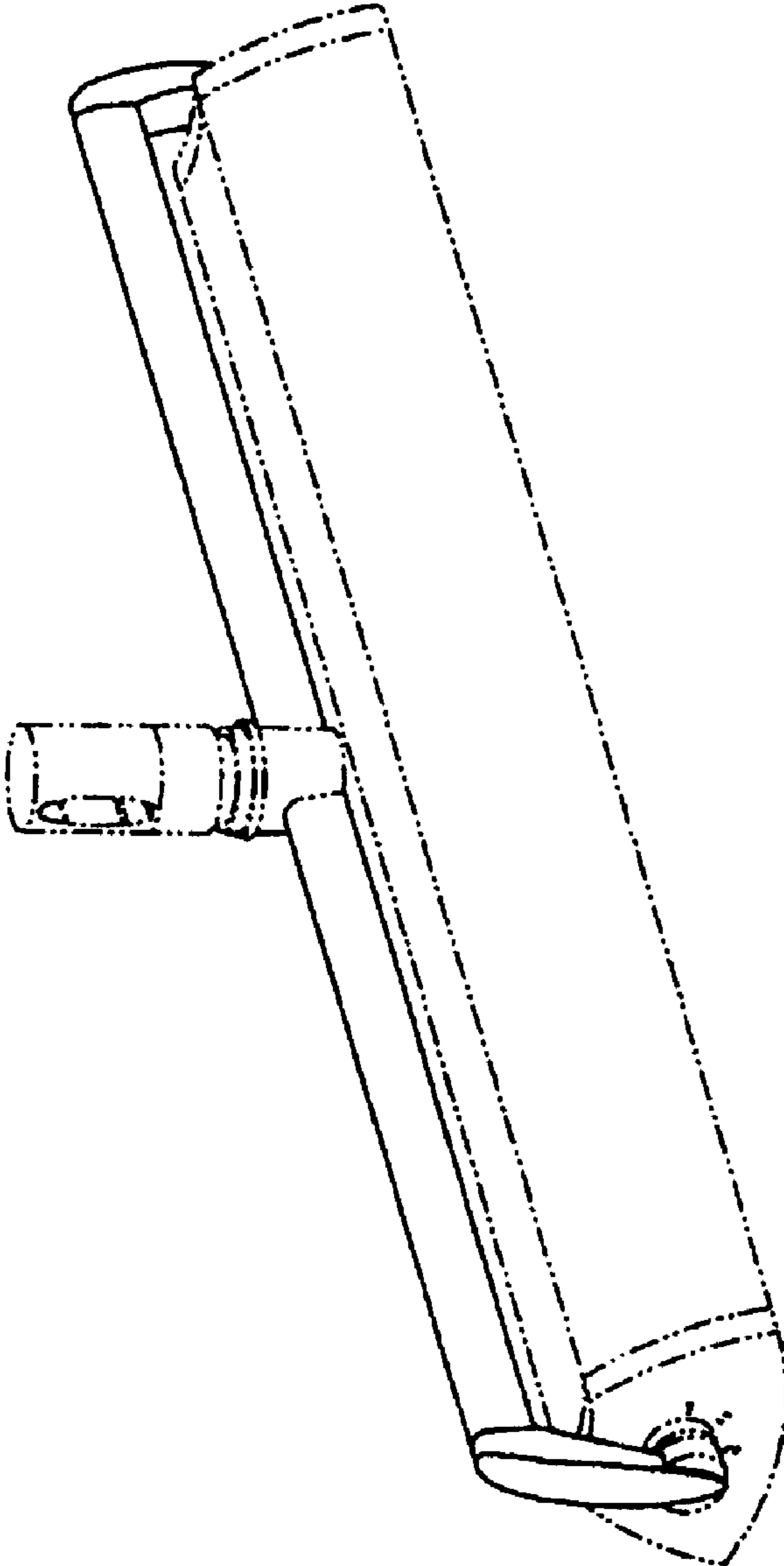
Capri Lighting, CT9576, CT9577, Line Voltage 120V, Wall Wash, TR1-34, rev. Sep. 2005 (2 pages).

Capri Lighting, CT9578, CT9579, Line Voltage 120V, Wall Wash, TR1-35, rev. Sep. 2005 (2 pages).

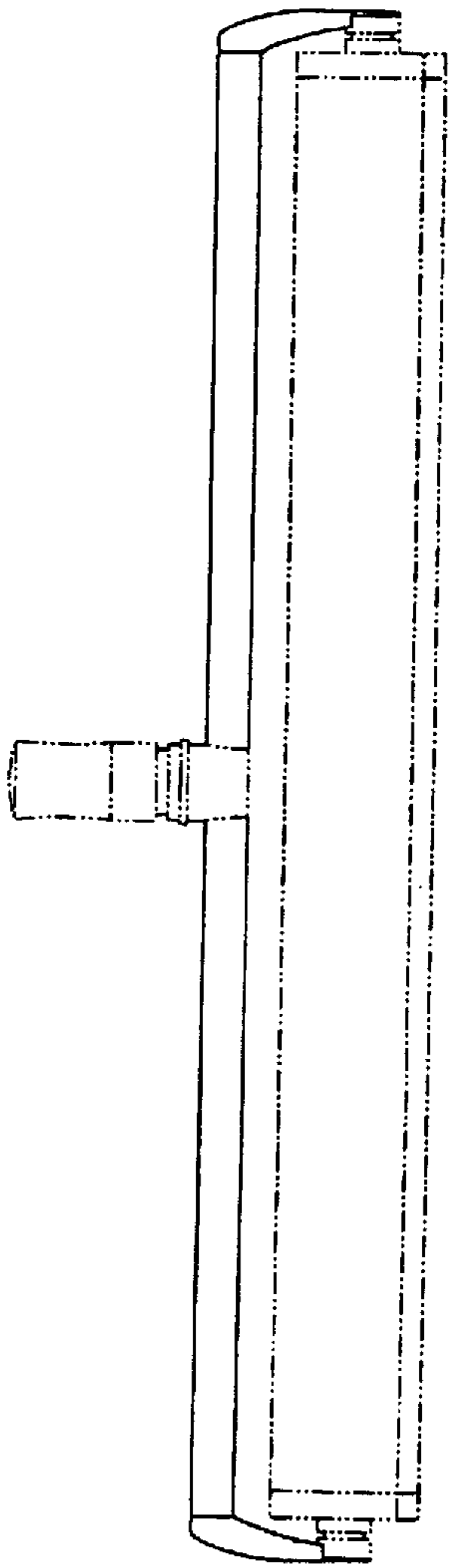
Capri Lighting, CT9580, CT9581, Line Voltage 120V, Wall Wash, TR1-36, rev. Sep. 2005 (2 pages).

Capri Lighting, CT9582, Line Voltage 120V, Wall Wash, TR1-37, rev. Sep. 2005 (2 pages).

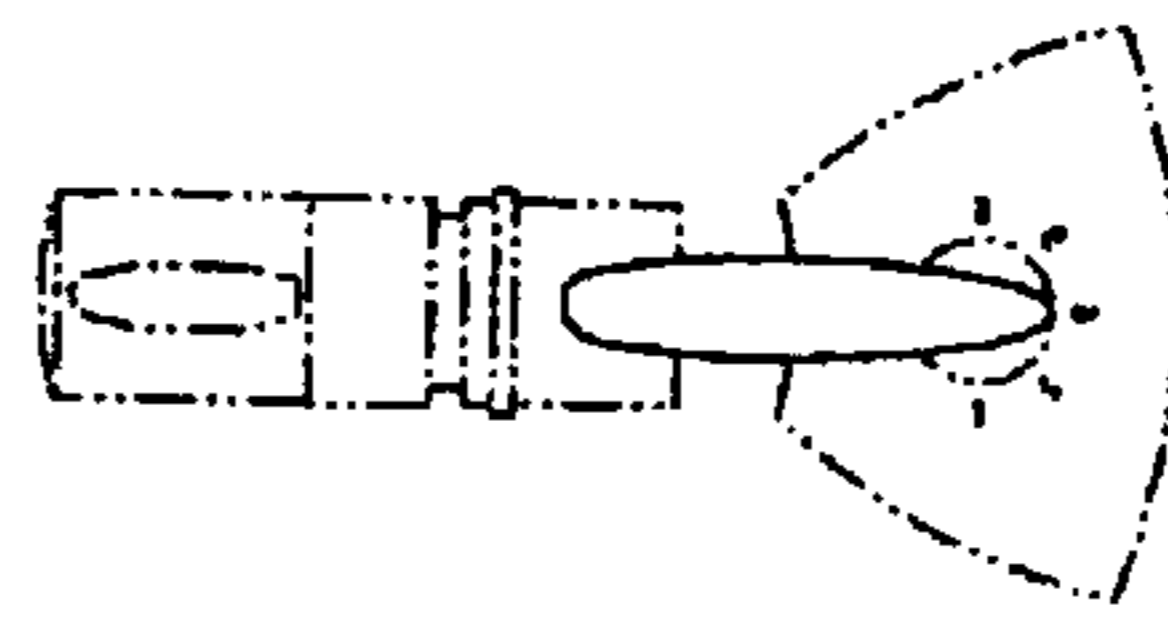
\* cited by examiner



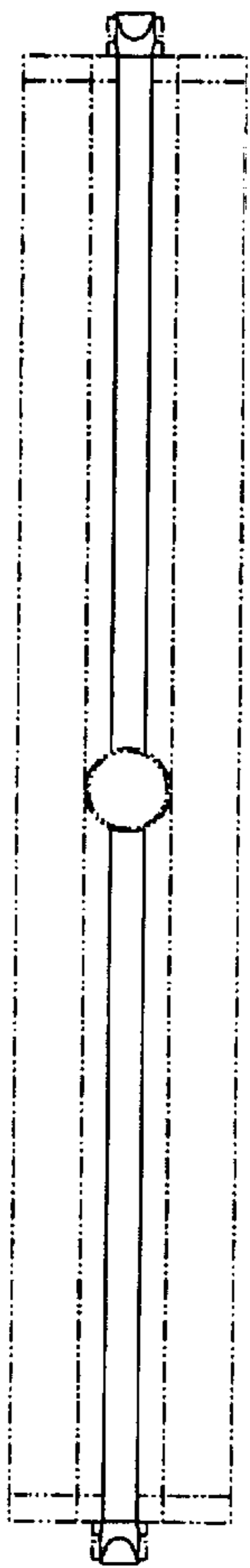
*Fig. 1*



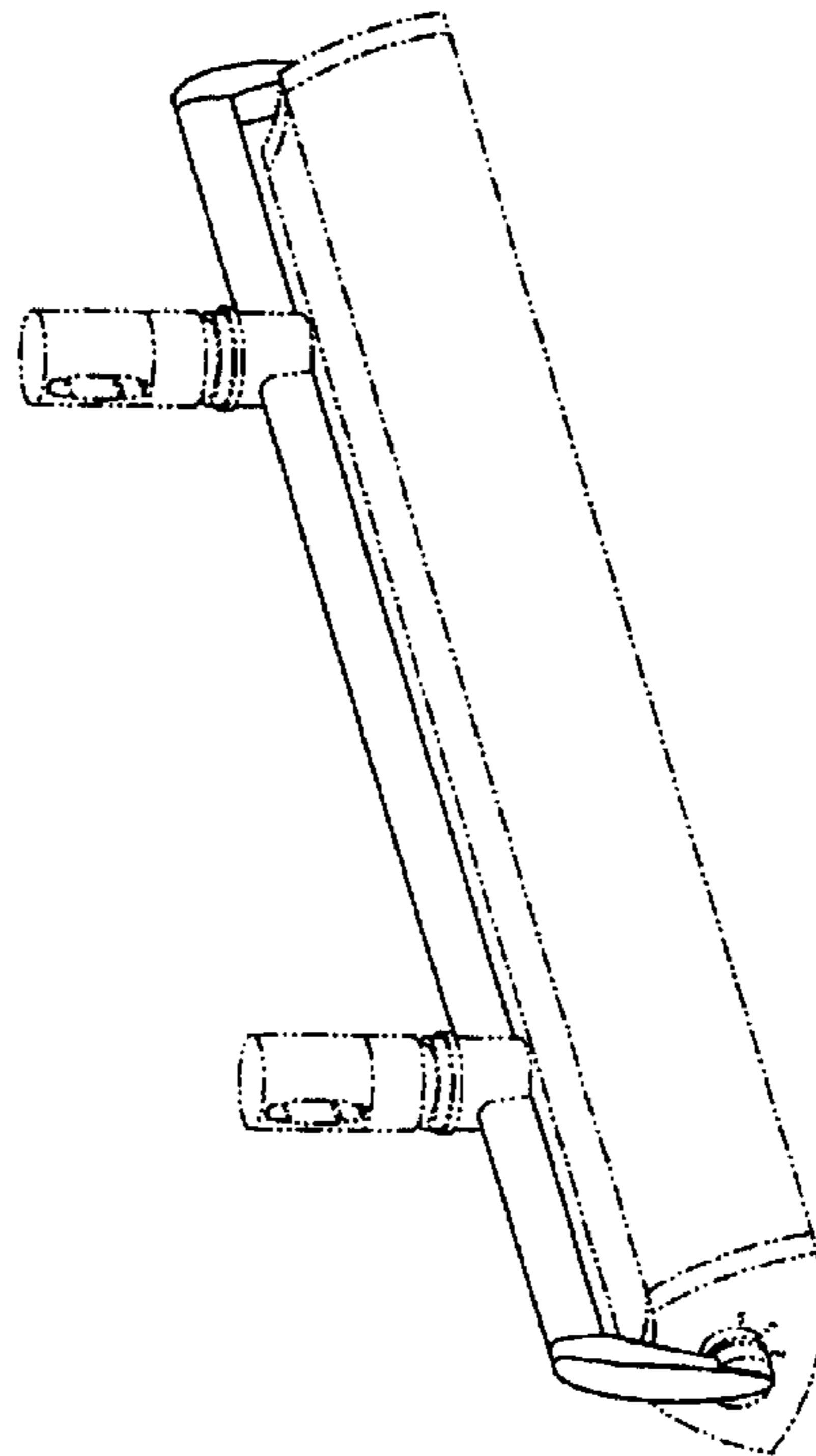
*Fig. 2*



*Fig. 3*



*Fig. 4*



*Fig. 5*