



US00D543652S

(12) **United States Design Patent**  
**Hargreaves**

(10) **Patent No.:** **US D543,652 S**

(45) **Date of Patent:** **\*\* May 29, 2007**

- (54) **REFLECTIVE LIGHT HOUSING**
- (75) Inventor: **Craig Hargreaves**, Vancouver, WA (US)
- (73) Assignee: **IP Holdings, LLC**, Vancouver, WA (US)
- (\*\*) Term: **14 Years**

- D415,304 S \* 10/1999 Brown ..... D26/87
- D418,626 S \* 1/2000 Herst et al. .... D26/118
- D445,943 S \* 7/2001 Littman ..... D26/87
- D447,272 S \* 8/2001 Smith ..... D26/118
- D456,938 S \* 5/2002 Wardenburg ..... D26/118

\* cited by examiner

*Primary Examiner*—Clare E Heflin

(74) *Attorney, Agent, or Firm*—Robert J. Ireland

- (21) Appl. No.: **29/216,804**
- (22) Filed: **Nov. 10, 2004**

(57) **CLAIM**

The ornamental design for a reflective light housing, as shown and described.

- (51) **LOC (8) Cl.** ..... **26-03**
- (52) **U.S. Cl.** ..... **D26/76; D26/118**
- (58) **Field of Classification Search** ..... D26/75–78, D26/73, 118; 362/1, 2, 147, 217, 218, 219, 362/221–224, 294, 345, 373, 614, 805, 806, 362/807

**DESCRIPTION**

See application file for complete search history.

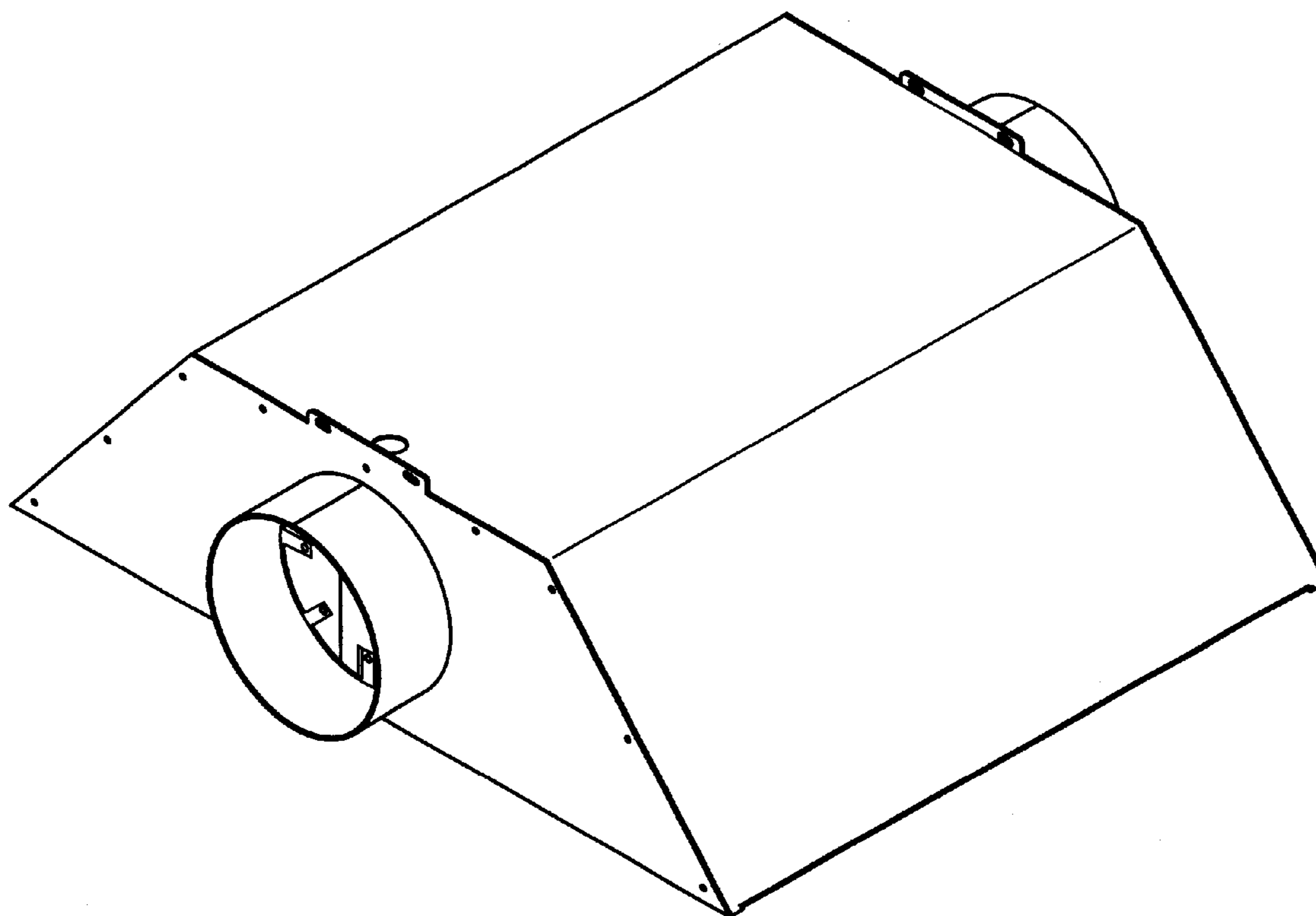
FIG. 1 is a perspective view of the reflective light housing, and according to the new and unique design;  
 FIG. 2 is a top view of the reflective light housing of FIG. 1;  
 FIG. 3 is a right side view in elevation of the reflective light housing in FIG. 1, the left side being a mirror image thereof;  
 FIG. 4 is a front side view of the reflective light housing of FIG. 1;  
 FIG. 5 is a rear side view of the reflective light housing of FIG. 1; and,  
 FIG. 6 is a bottom view of the reflective light housing of FIG. 1.

(56) **References Cited**

**U.S. PATENT DOCUMENTS**

- D123,768 S \* 12/1940 Scribner ..... D26/78
- D213,391 S \* 2/1969 Bruno ..... D26/86
- D266,578 S \* 10/1982 Moshier ..... D26/76
- 5,199,784 A \* 4/1993 Hempleman ..... 362/294
- D376,437 S \* 12/1996 Karlo et al. .... D26/28
- D399,328 S \* 10/1998 Compton ..... D26/72

**1 Claim, 6 Drawing Sheets**



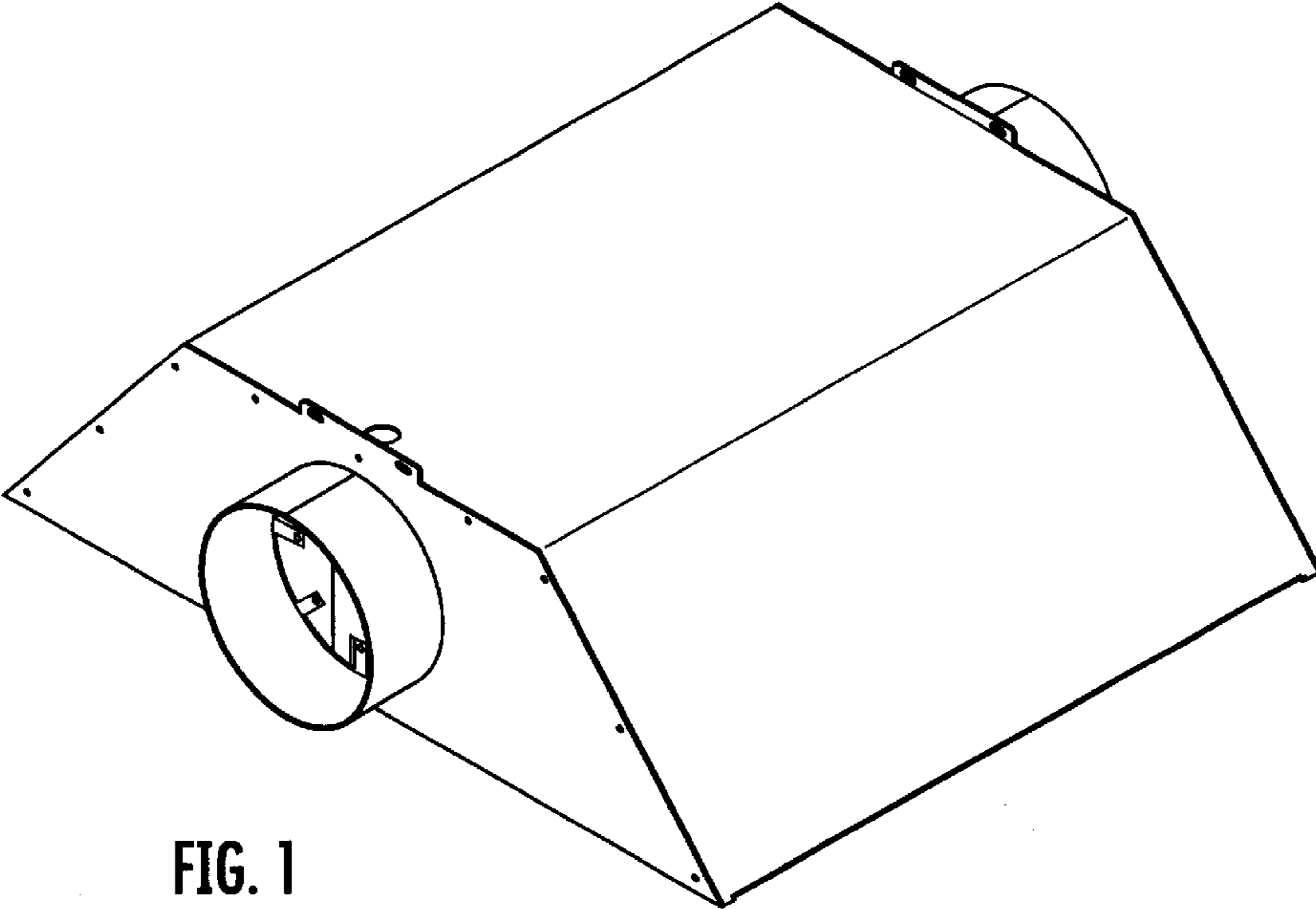


FIG. 1

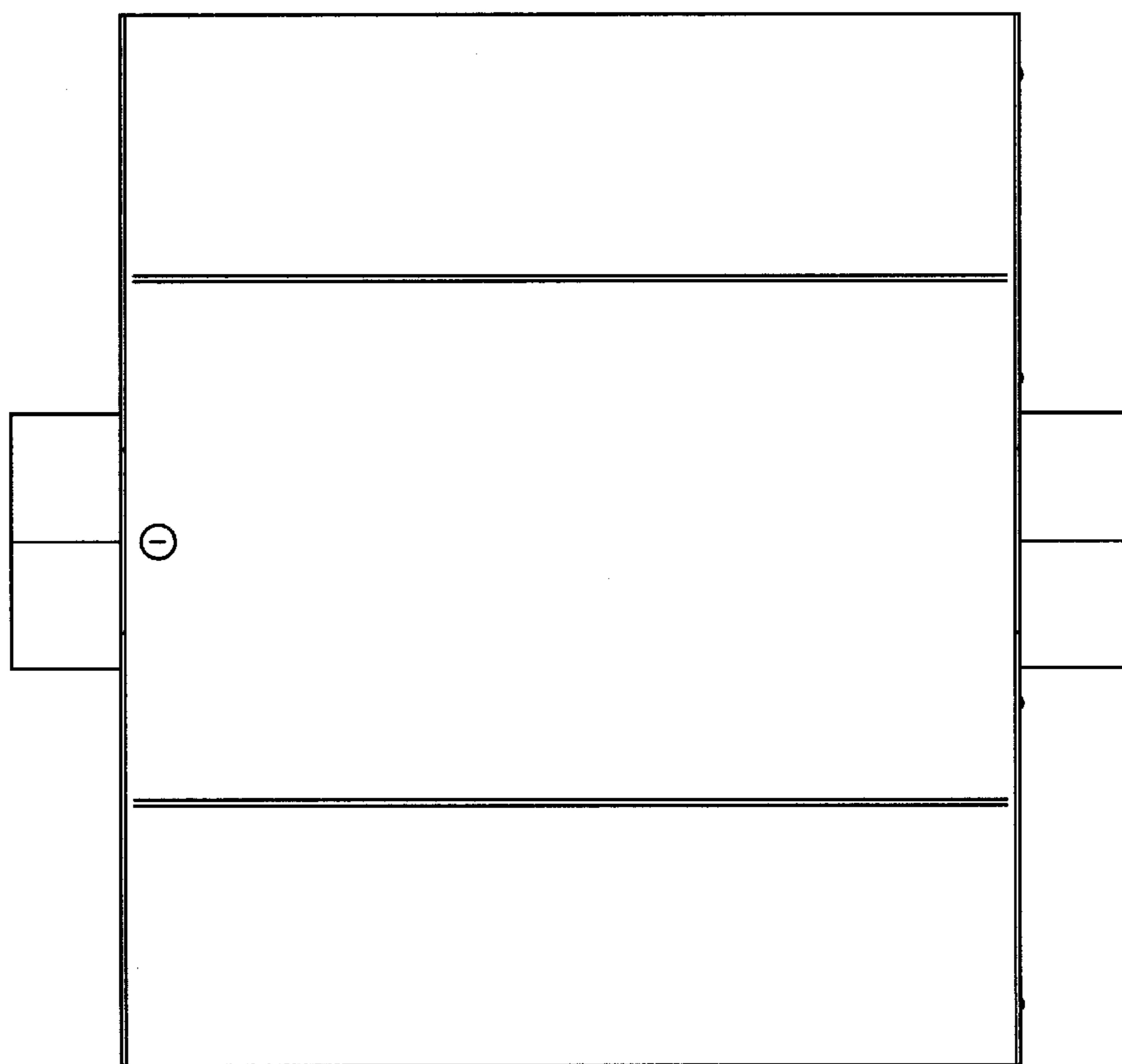


FIG. 2

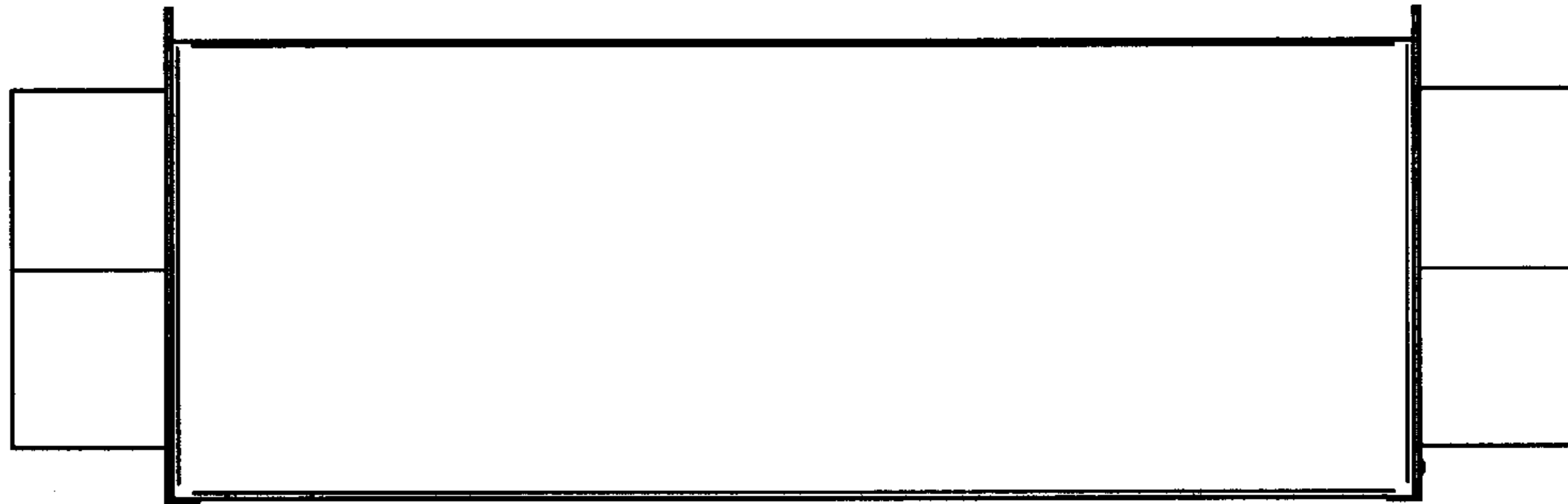


FIG. 3

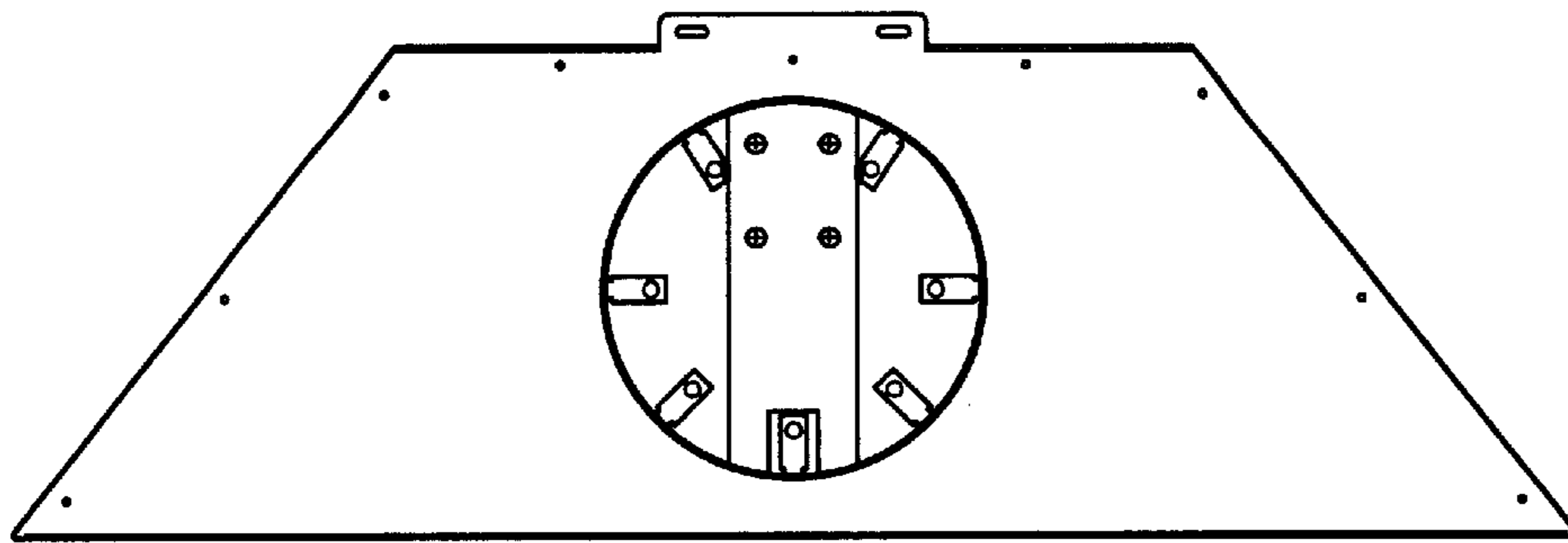


FIG. 4

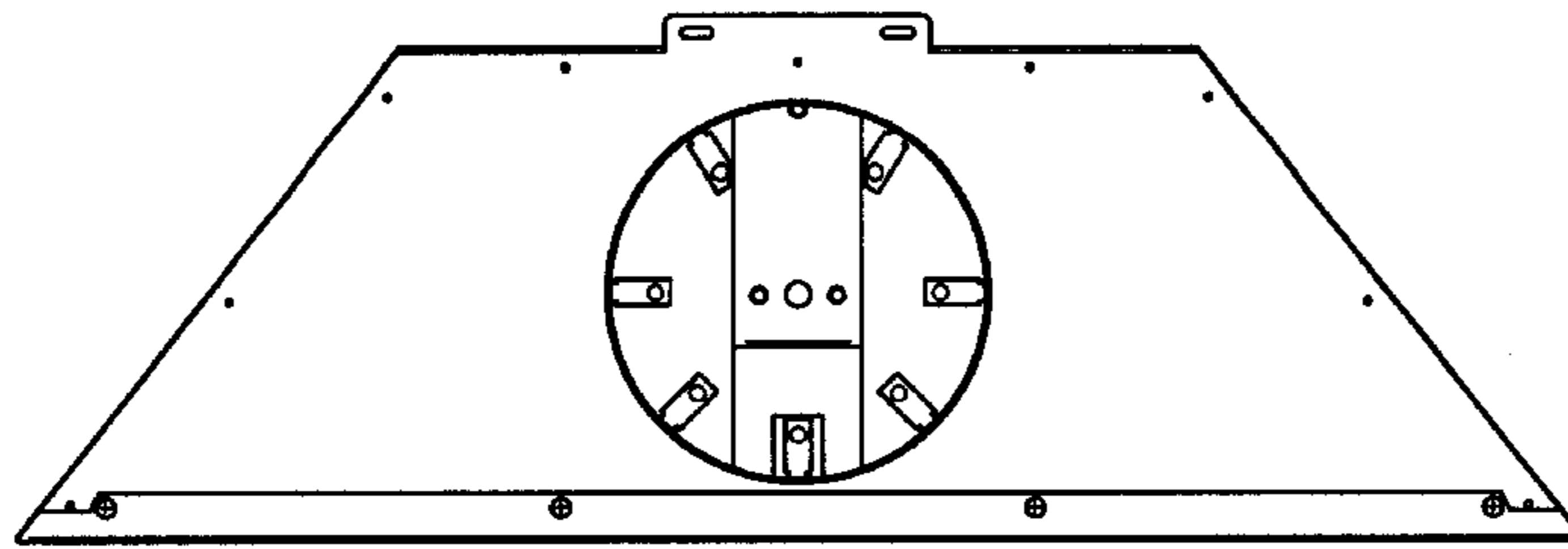


FIG. 5

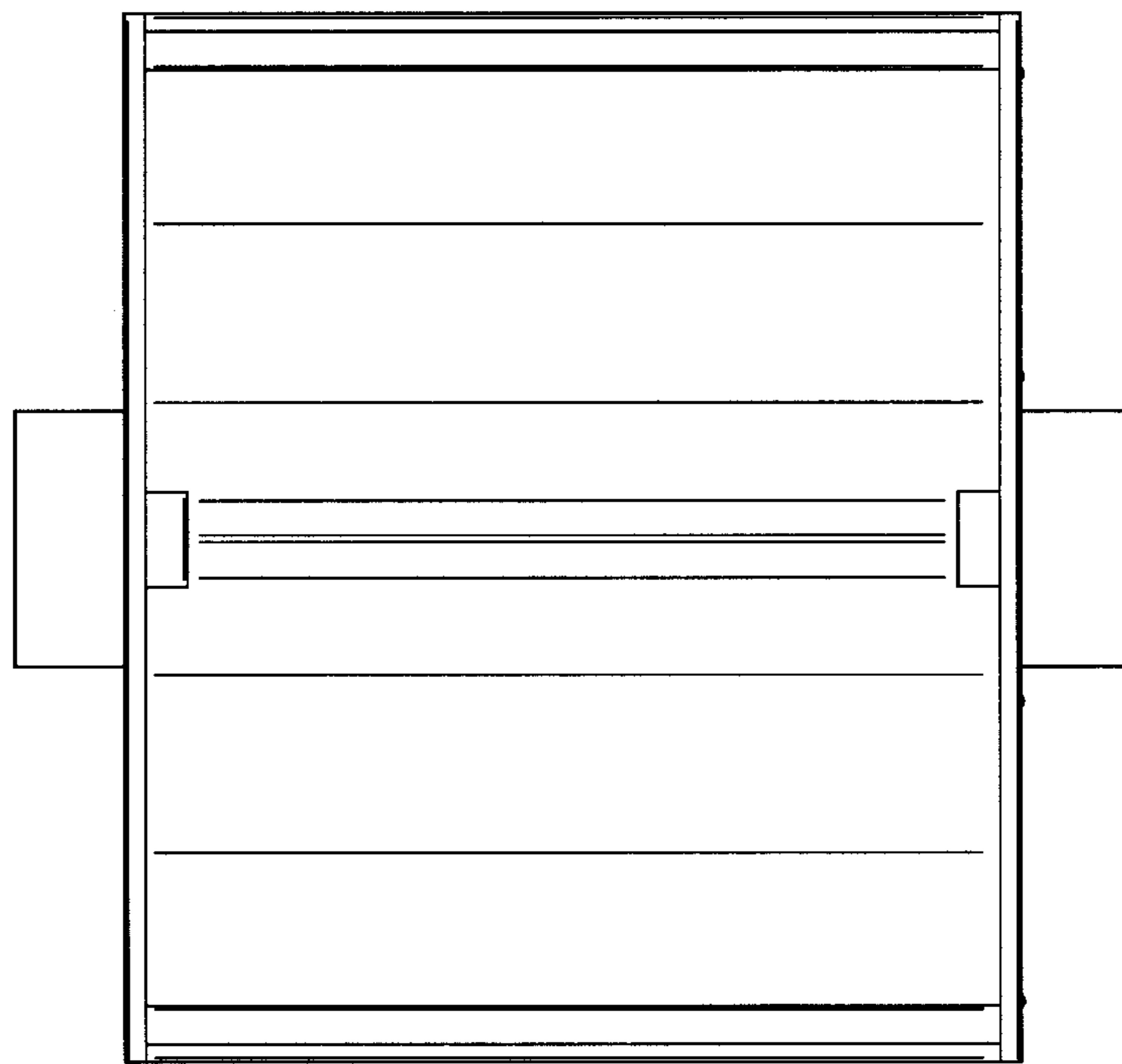


FIG. 6