



US00D543650S

(12) **United States Design Patent**
Rothman

(10) **Patent No.:** **US D543,650 S**

(45) **Date of Patent:** **** May 29, 2007**

(54) **WIND-UP FLASHLIGHT**

(76) Inventor: **Jacob Rothman**, 1451 Doolittle Dr.,
San Leandro, CA (US) 94577

(**) Term: **14 Years**

(21) Appl. No.: **29/260,235**

(22) Filed: **May 23, 2006**

(51) **LOC (8) Cl.** **26-02**

(52) **U.S. Cl.** **D26/37; D26/38; D26/46**

(58) **Field of Classification Search** D26/37,
D26/46, 48, 28, 38; 362/192, 193, 160, 183,
362/205, 200, 196, 208, 259

See application file for complete search history.

(56) **References Cited**

U.S. PATENT DOCUMENTS

D524,470 S	*	7/2006	Lee	D26/37
D528,676 S	*	9/2006	Leslie et al.	D26/28
D532,915 S	*	11/2006	Yuen	D26/38
2005/0111218 A1	*	5/2005	Lee	362/192
2006/0098426 A1	*	5/2006	Yen	362/192

2006/0098427 A1 * 5/2006 Yeh 362/192

* cited by examiner

Primary Examiner—Ian Simmons

Assistant Examiner—Carissa Fitts

(57) **CLAIM**

The ornamental design for a wind-up flashlight, as shown and described.

DESCRIPTION

FIG. 1 is a left side, top perspective view showing my new design;

FIG. 2 is a top plan view;

FIG. 3 is a bottom plan view;

FIG. 4 is a front elevational view;

FIG. 5 is a rear elevational view;

FIG. 6 is a left side view;

FIG. 7 is a right side view; and,

FIG. 8 is a left side, top perspective view with the crank rotated outwardly; thereof.

The broken lines used in the claimed design views have been included for the purpose of illustrating environment and forms no part of the claimed design.

1 Claim, 4 Drawing Sheets

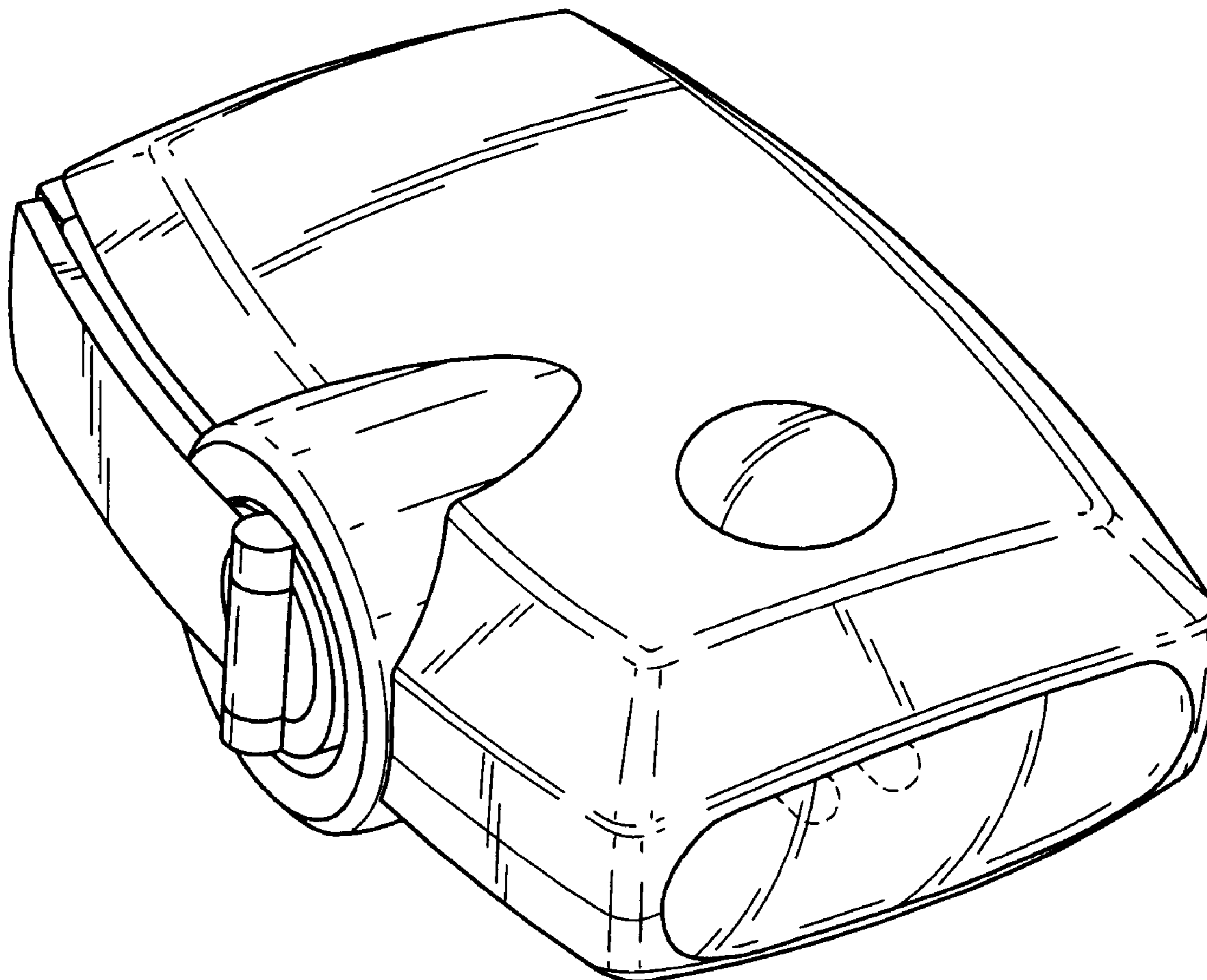


FIG. 1

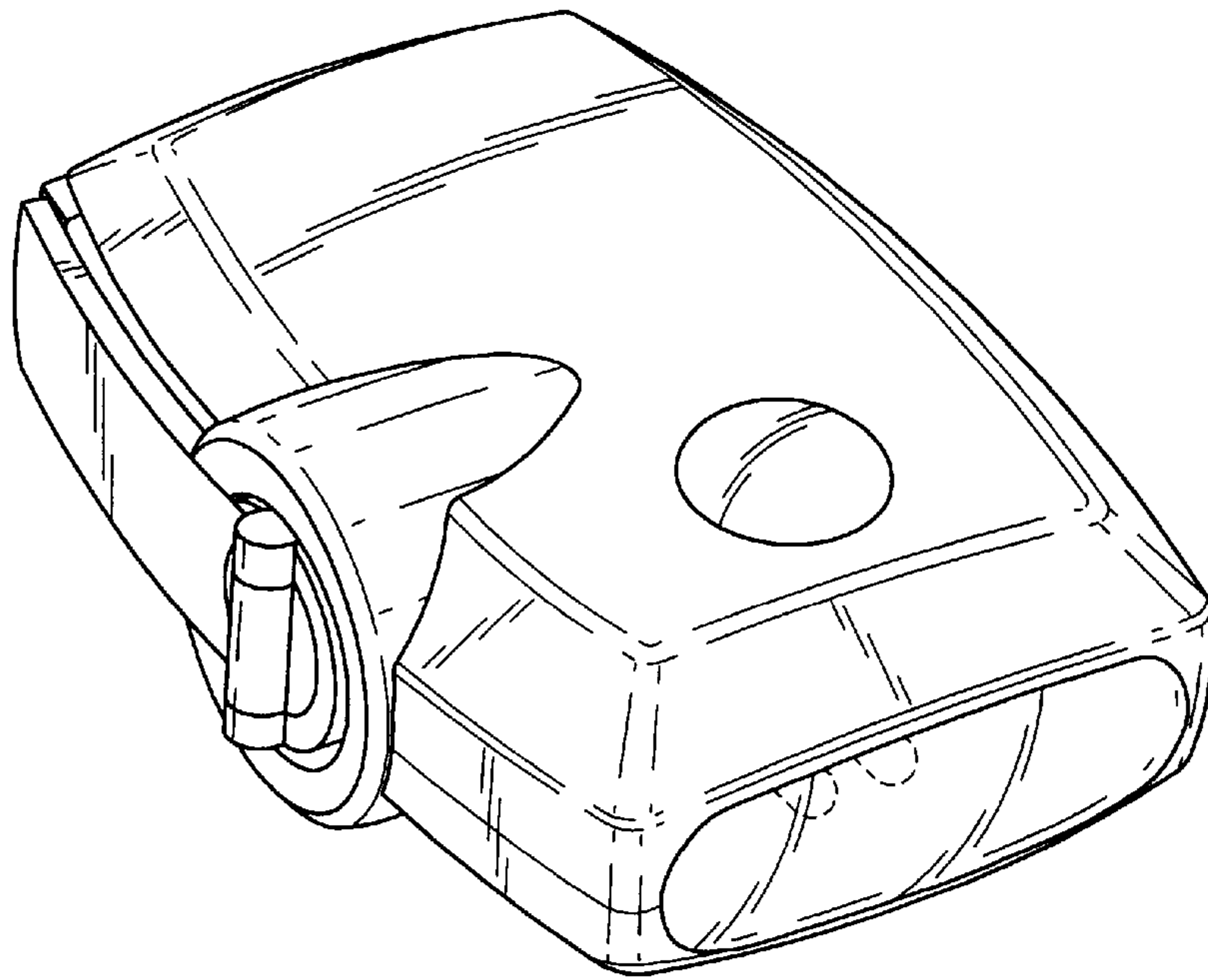


FIG. 2

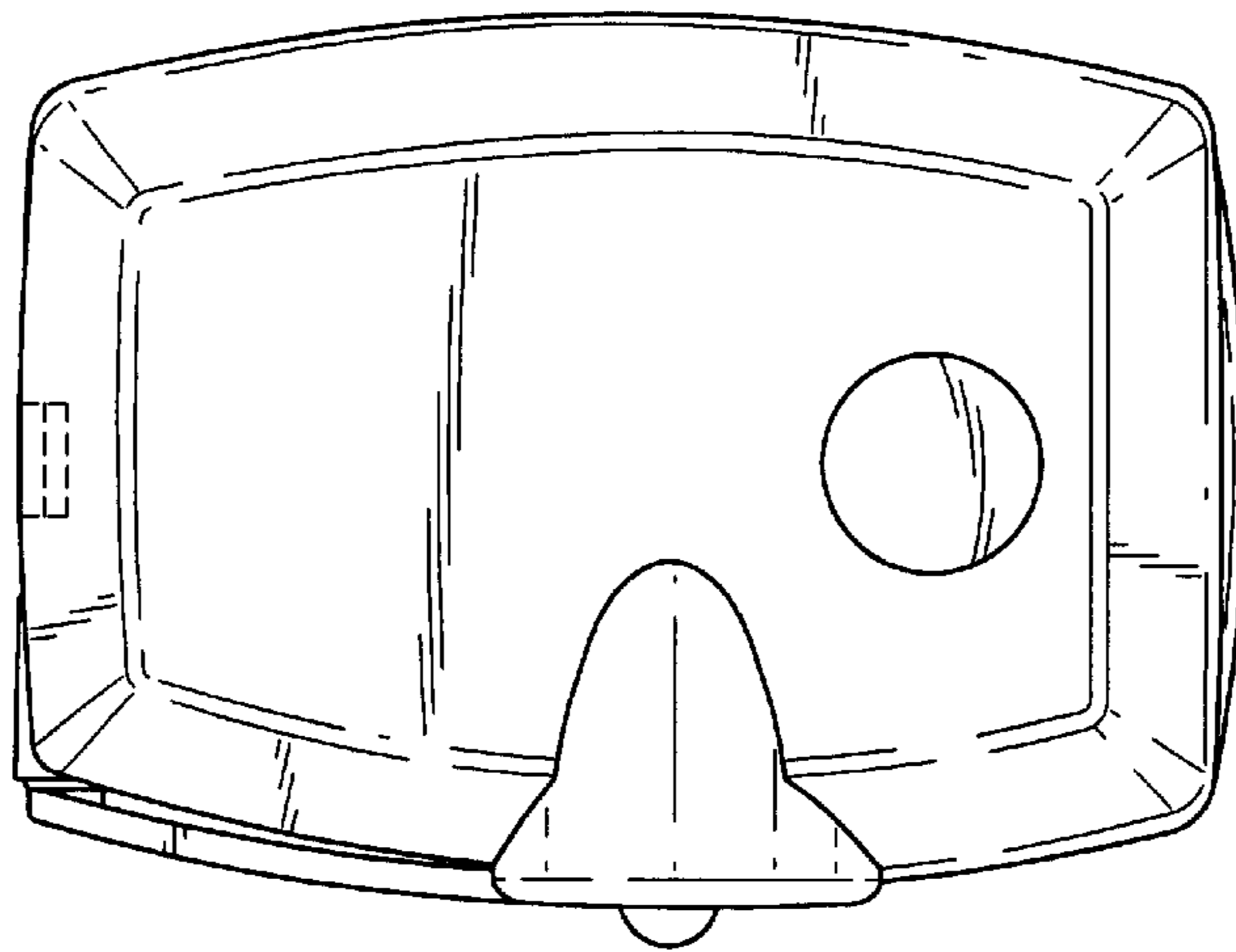


FIG. 3

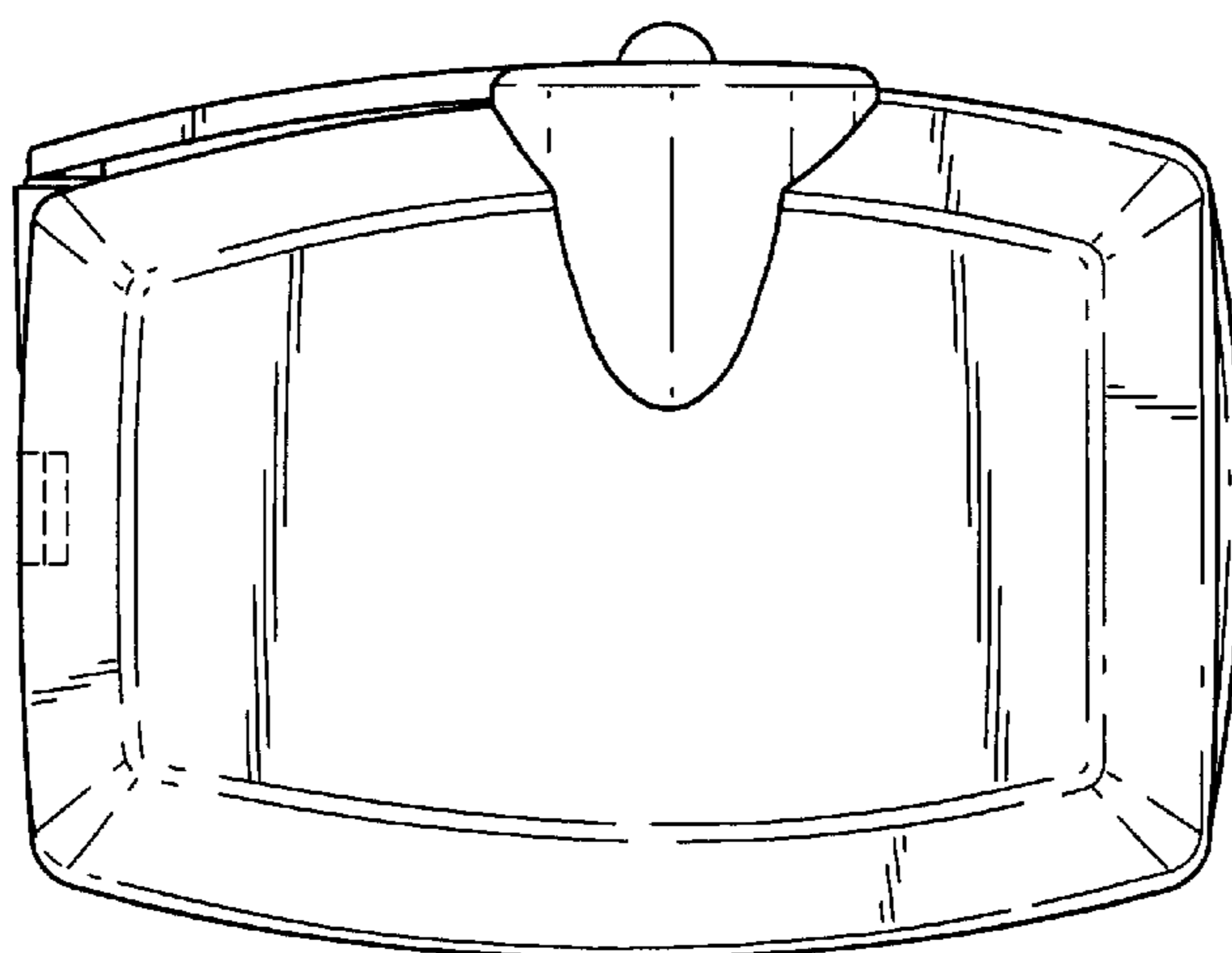


FIG. 4

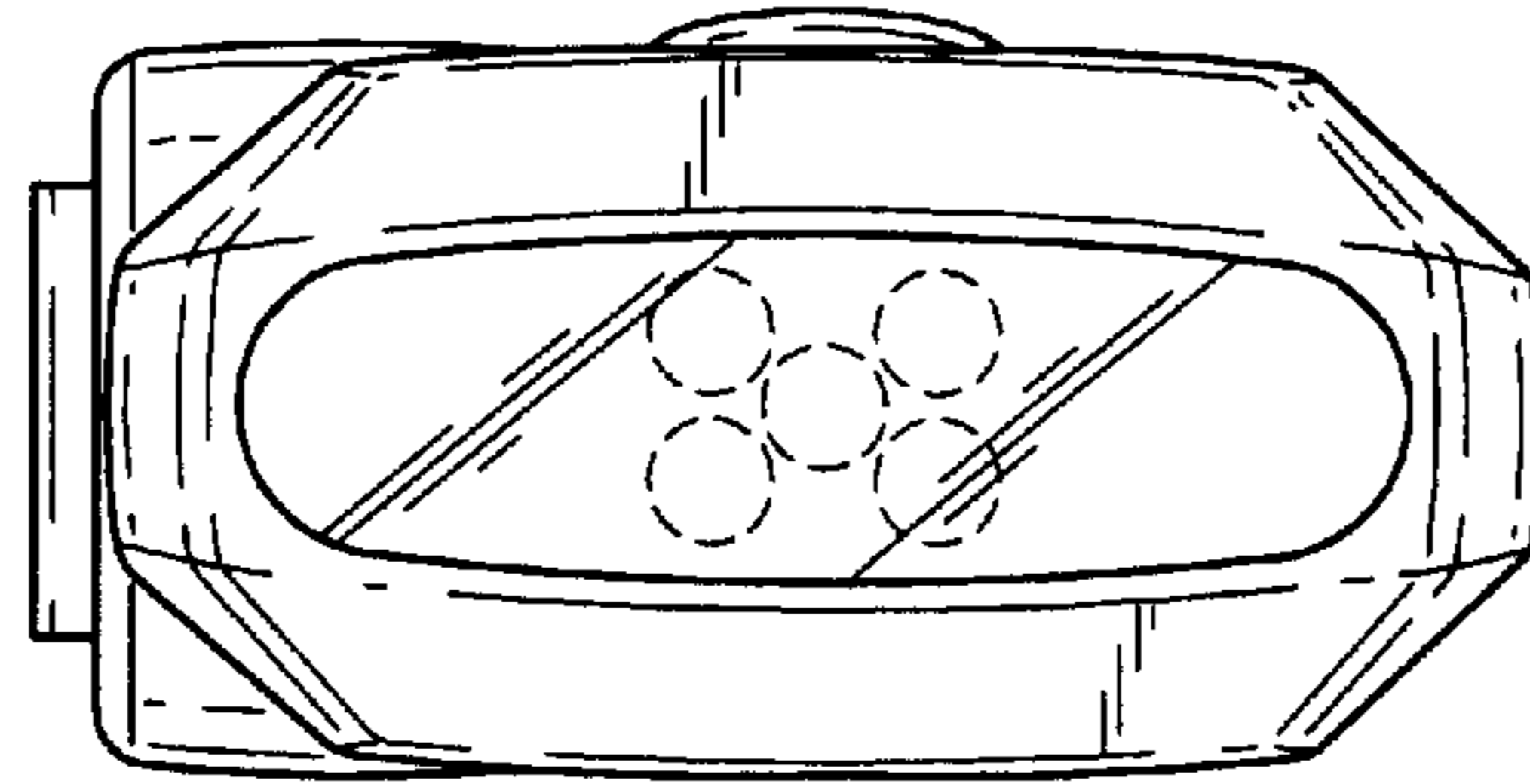


FIG. 5

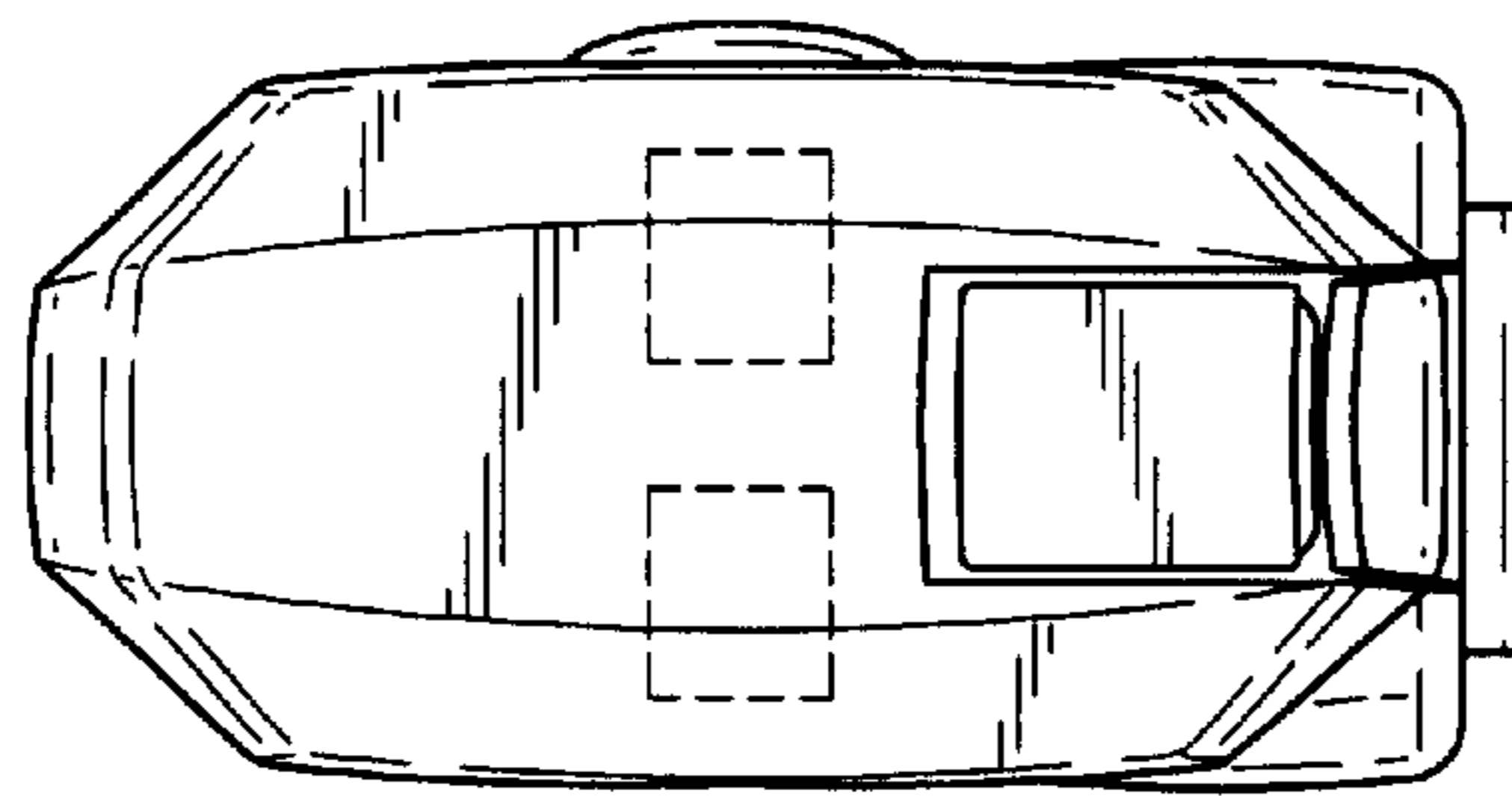


FIG. 6

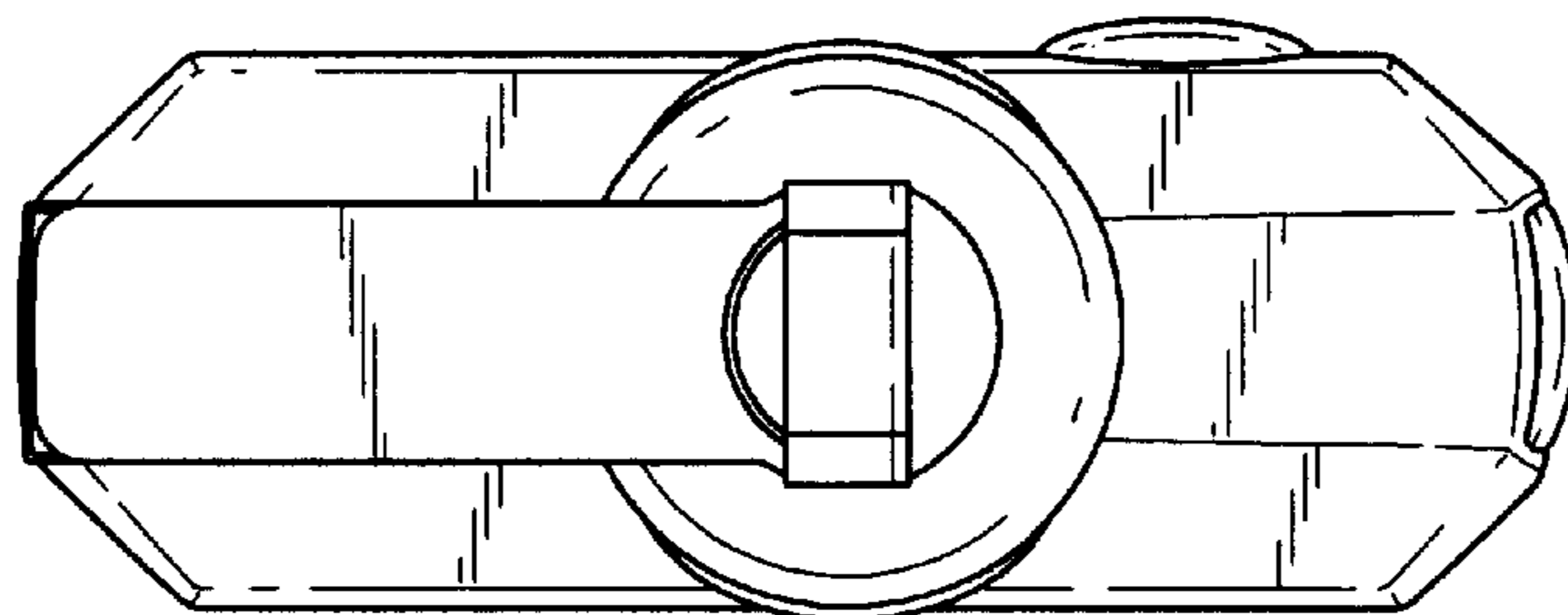


FIG. 7

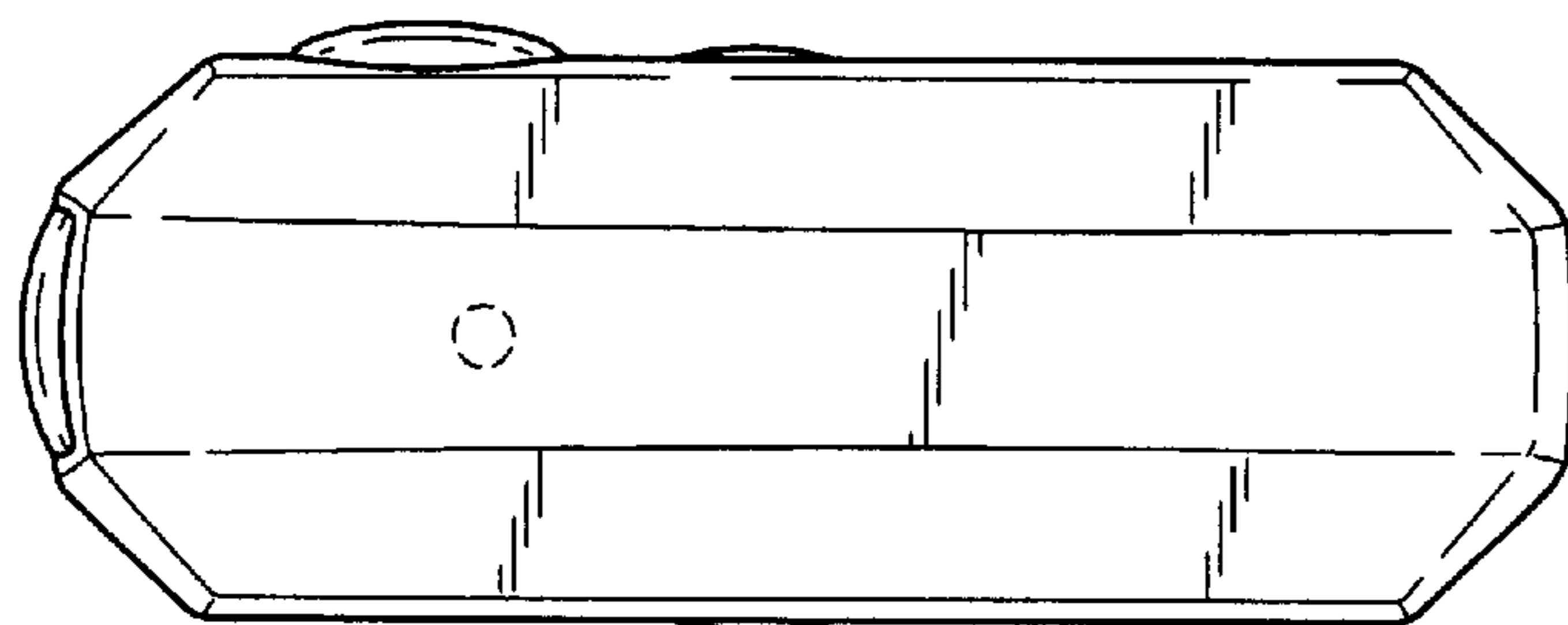


FIG. 8

