



US00D543649S

(12) **United States Design Patent**
Bhavnani

(10) **Patent No.:** **US D543,649 S**

(45) **Date of Patent:** **** May 29, 2007**

(54) **FLASHLIGHT WITH ERGONOMIC GRIP**

(75) **Inventor:** **Dilip Bhavnani**, Beverly Hills, CA
(US)

(73) **Assignee:** **Sun Coast Merchandise Corporation**,
Commerce, CA (US)

(**) **Term:** **14 Years**

(21) **Appl. No.:** **29/247,756**

(22) **Filed:** **Jul. 10, 2006**

(51) **LOC (8) Cl.** **26-02**

(52) **U.S. Cl.** **D26/37; D26/46**

(58) **Field of Classification Search** D26/37,
D26/38, 41, 45, 46, 48, 49, 50, 51, 52, 42;
362/157, 158, 171-174, 178, 183, 196, 199,
362/201-205, 119, 208, 266, 116; D14/168
See application file for complete search history.

(56) **References Cited**

U.S. PATENT DOCUMENTS

D281,280 S	*	11/1985	Schosser et al.	D26/46
D298,659 S	*	11/1988	Burns	D26/46
D311,066 S	*	10/1990	Fenne	D26/46
D311,777 S	*	10/1990	Stearns	D26/42
D323,403 S	*	1/1992	Sinrod	D26/38
D365,647 S	*	12/1995	Witte	D26/46

D381,099 S	*	7/1997	Yuen	D26/37
D433,401 S	*	11/2000	Chan	D14/168
D438,528 S	*	3/2001	Chan	D14/168
D479,350 S	*	9/2003	Herman	D26/38
D484,624 S	*	12/2003	Shiu	D26/37
6,926,422 B2	*	8/2005	Bruwer et al.	362/157

* cited by examiner

Primary Examiner—Ian Simmons

Assistant Examiner—Carissa Fitts

(74) *Attorney, Agent, or Firm*—The Soni Law Firm

(57) **CLAIM**

The ornamental design for a flashlight with ergonomic grip,
as shown and described.

DESCRIPTION

FIG. 1 is a front side top perspective view thereof;

FIG. 2 is a side elevational view thereof;

FIG. 3 is a top plan view thereof;

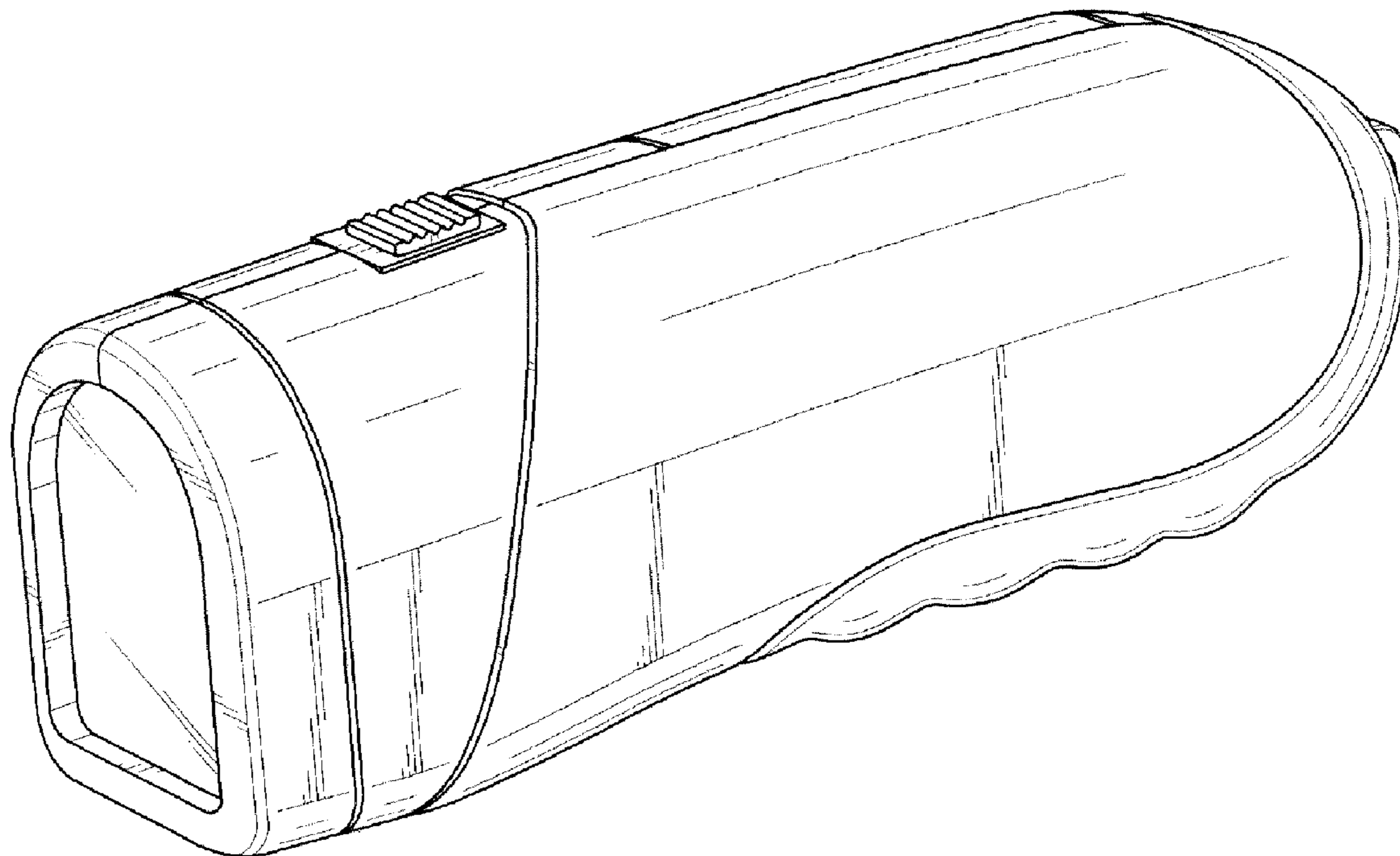
FIG. 4 is a front elevational view thereof;

FIG. 5 is a back elevational view thereof;

FIG. 6 is a side elevational view thereof; and,

FIG. 7 is a bottom plan view thereof.

1 Claim, 3 Drawing Sheets



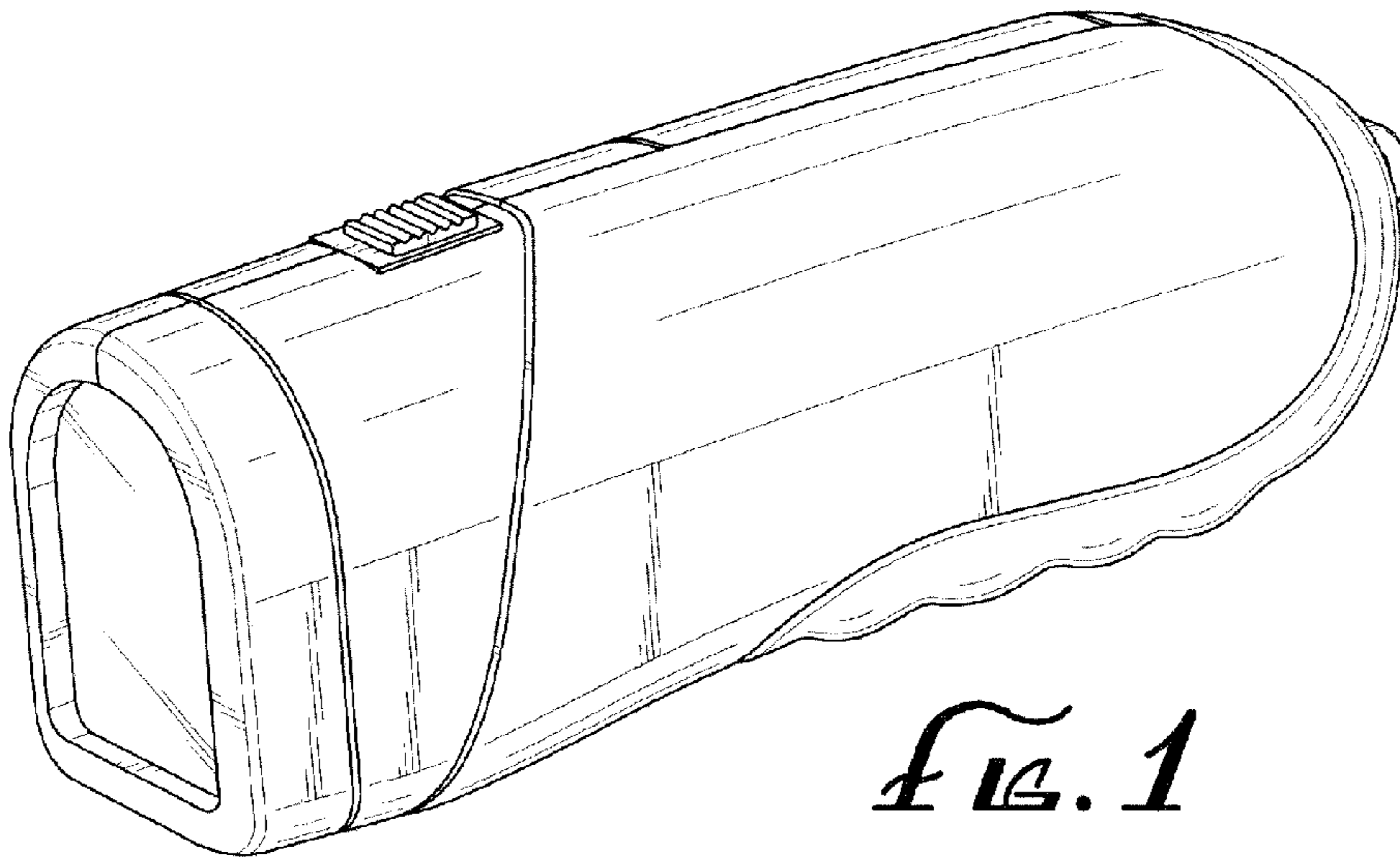


FIG. 1

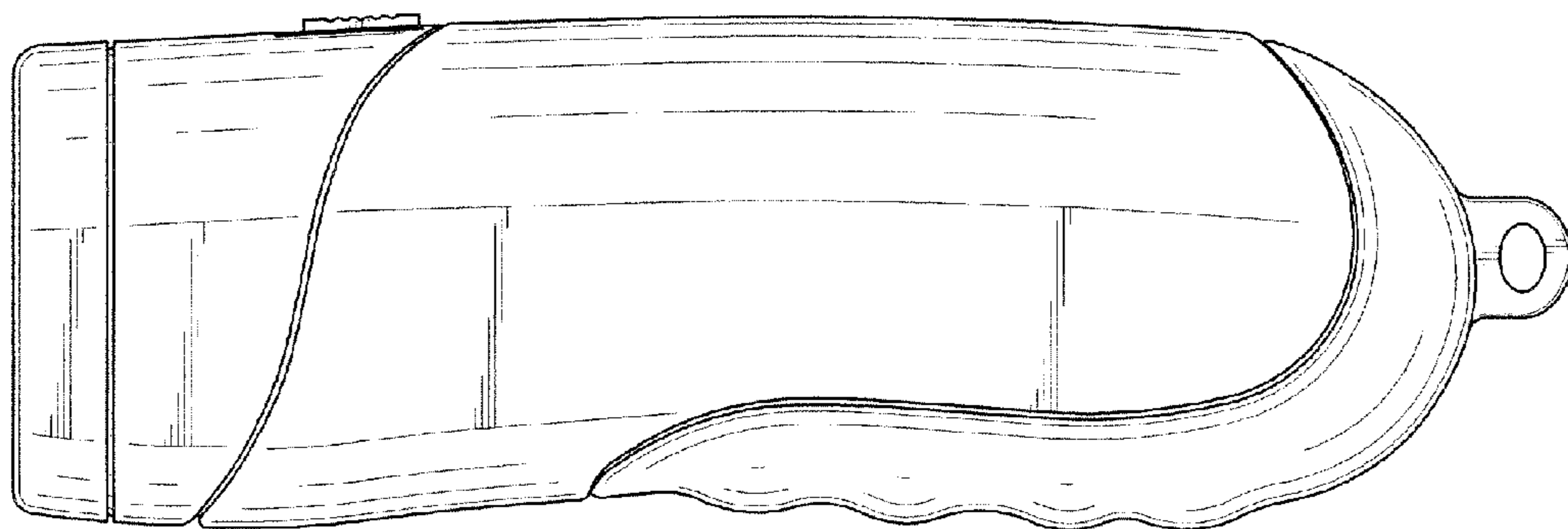


FIG. 2

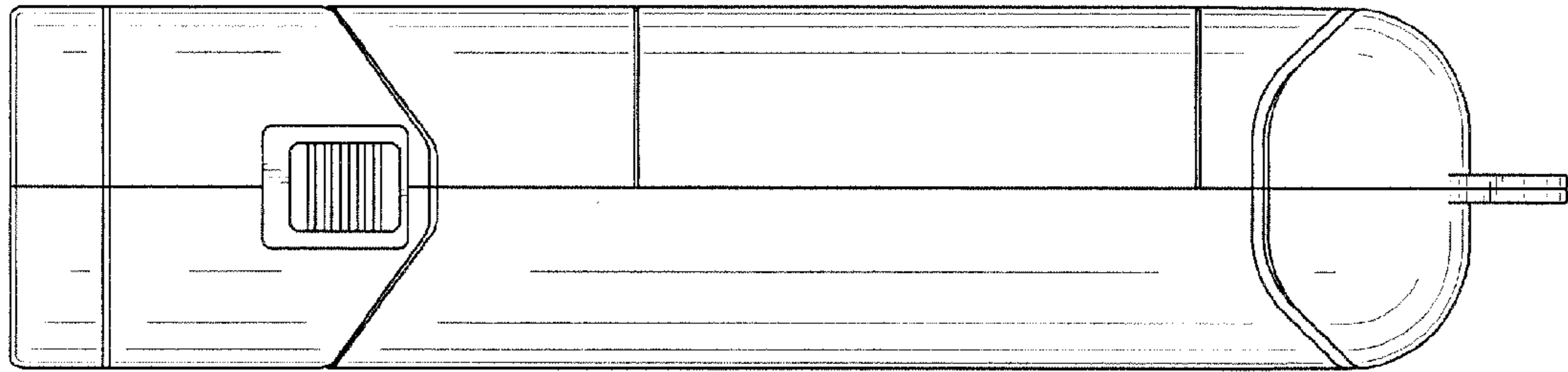


FIG. 3

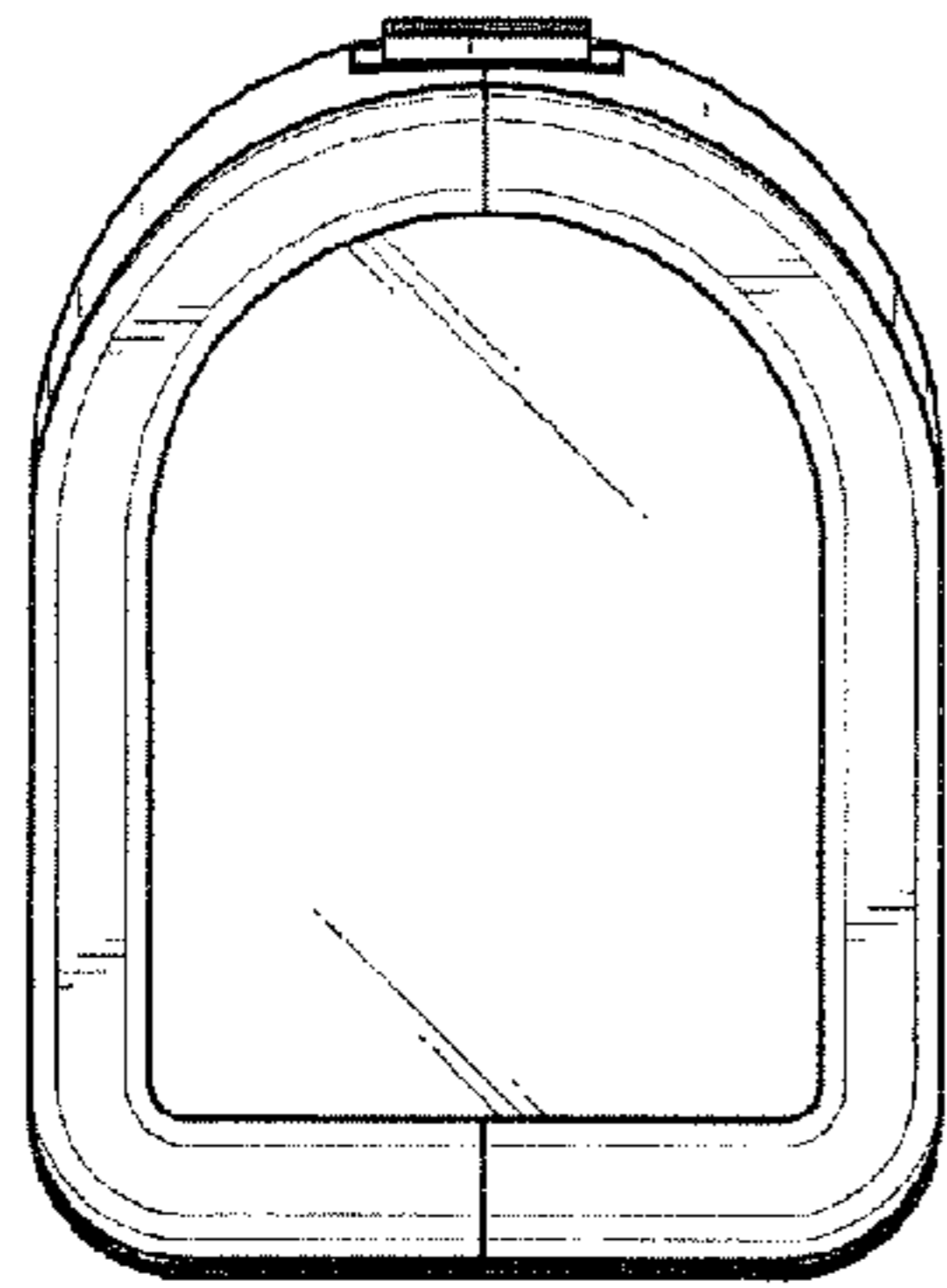


FIG. 4

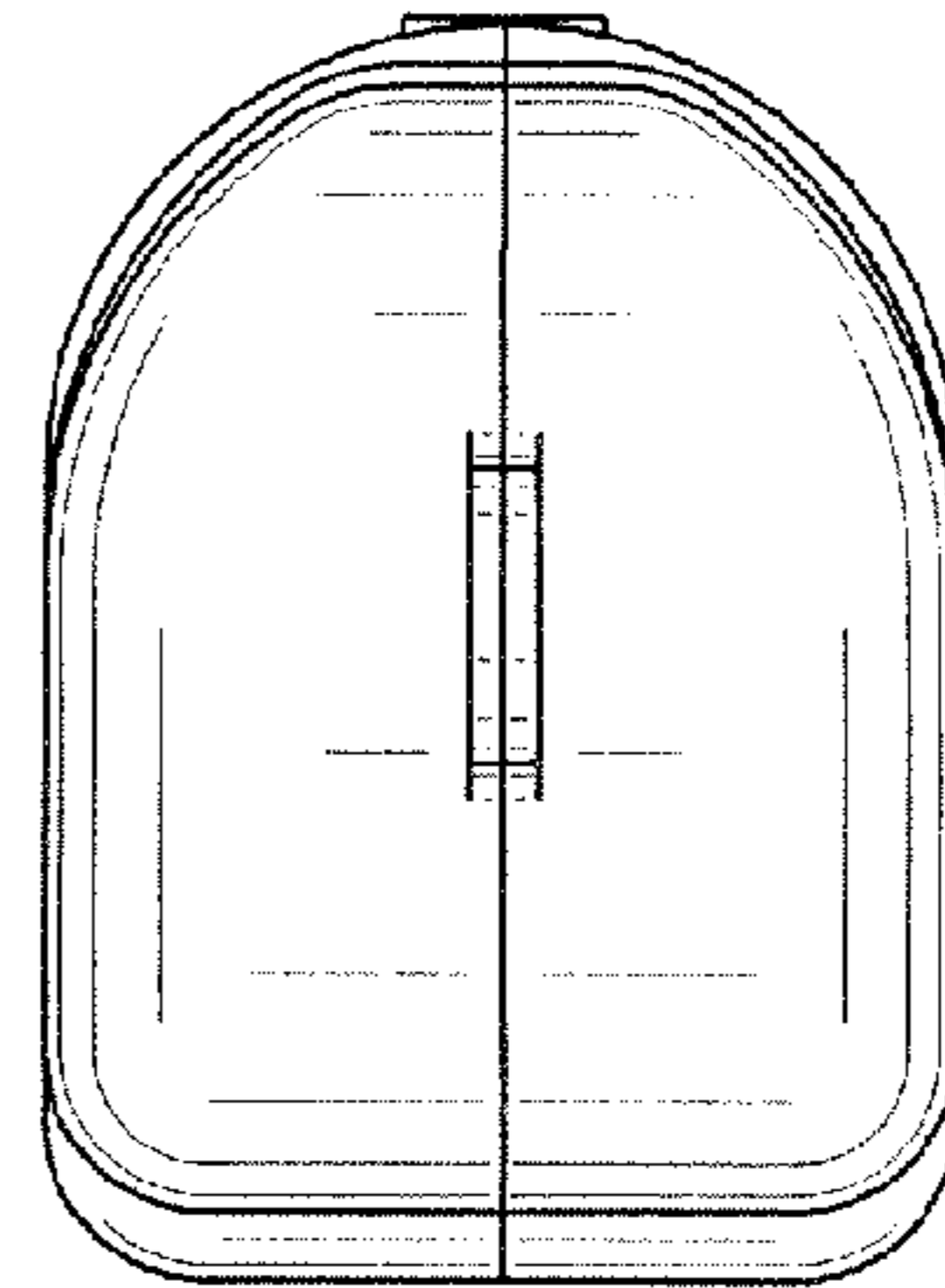


FIG. 5

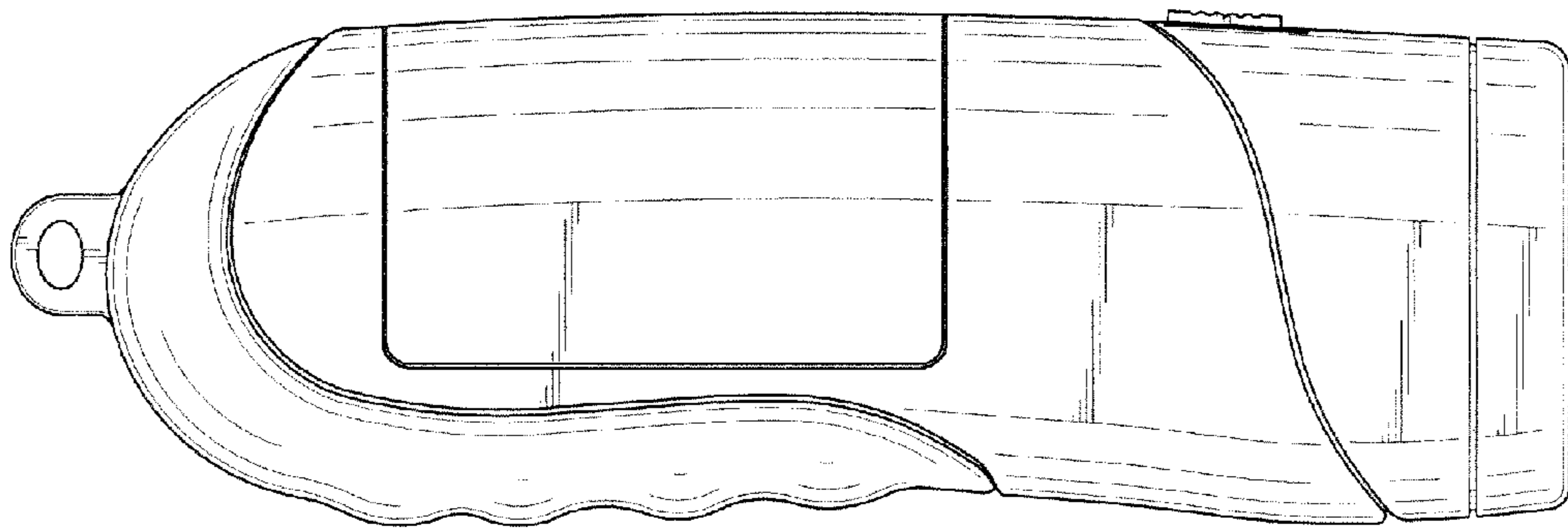


FIG. 6

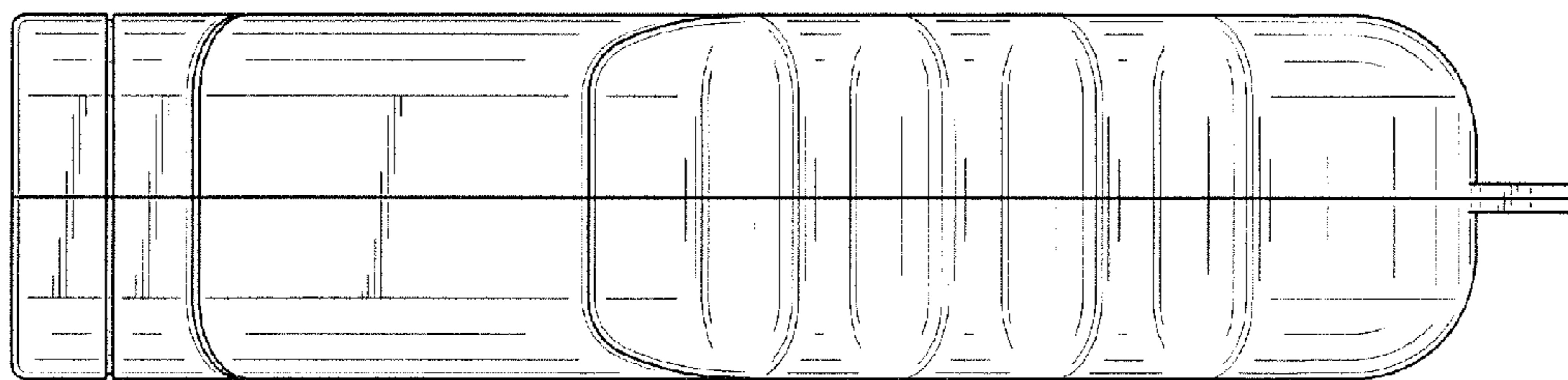


FIG. 7