



US00D543648S

(12) **United States Design Patent**
Kaoud et al.

(10) **Patent No.:** **US D543,648 S**

(45) **Date of Patent:** **** May 29, 2007**

(54) **VEHICLE REAR TAILLIGHT LENS**

(75) Inventors: **Ehab Kaoud**, Canton, MI (US); **Lon Zaback**, Farmington Hills, MI (US); **David Griffiths**, Ann Arbor, MI (US); **Bruce Williams**, Grosse Pointe Park, MI (US)

(73) Assignee: **Ford Global Technologies, LLC**, Dearborn, MI (US)

(**) Term: **14 Years**

(21) Appl. No.: **29/248,123**

(22) Filed: **Jul. 28, 2006**

(51) **LOC (8) Cl.** **26-06**

(52) **U.S. Cl.** **D26/28**

(58) **Field of Classification Search** D26/28–36;
362/459–468, 475–478, 485–487
See application file for complete search history.

(56) **References Cited**

U.S. PATENT DOCUMENTS

D465,039 S	*	10/2002	Murkett	D26/28
D467,364 S	*	12/2002	Yang	D26/28
D485,920 S	*	1/2004	Yoneyama	D26/28
D494,294 S	*	8/2004	Pfeiffer	D26/28
D523,976 S	*	6/2006	Pfeiffer et al.	D26/28

OTHER PUBLICATIONS

European First Drive: 2006 Ford Focus ST (Euro Spec), Nov. 28, 2005, <http://www.edmunds.com/insideline/do/Features/articleId=108108>.

Spied: 2007 Ford Focus, Feb. 1, 2006, <http://www.carand-driver.com/carnews/10702/spied-2007Ford-focus.html>.

(Continued)

Primary Examiner—Marcus A Jackson

(74) *Attorney, Agent, or Firm*—Damian Porcari

(57) **CLAIM**

A vehicle rear taillight lens, as shown in FIGS. 1–5.

DESCRIPTION

FIG. 1 is an elevational view of a right vehicle rear taillight lens (as viewed from the rear of the vehicle), the right vehicle rear taillight lens has a strong horizontal feature two thirds from the top and a complex curvilinear edge being disjunct, the left vehicle rear taillight lens is a mirror of the right and is not shown;

FIG. 2 is a right side elevational view of the right vehicle rear taillight lens;

FIG. 3 is a left side elevational view of the right vehicle rear taillight lens illustrating the Class B surface, the curvature on the right side of the figure is shown and claimed;

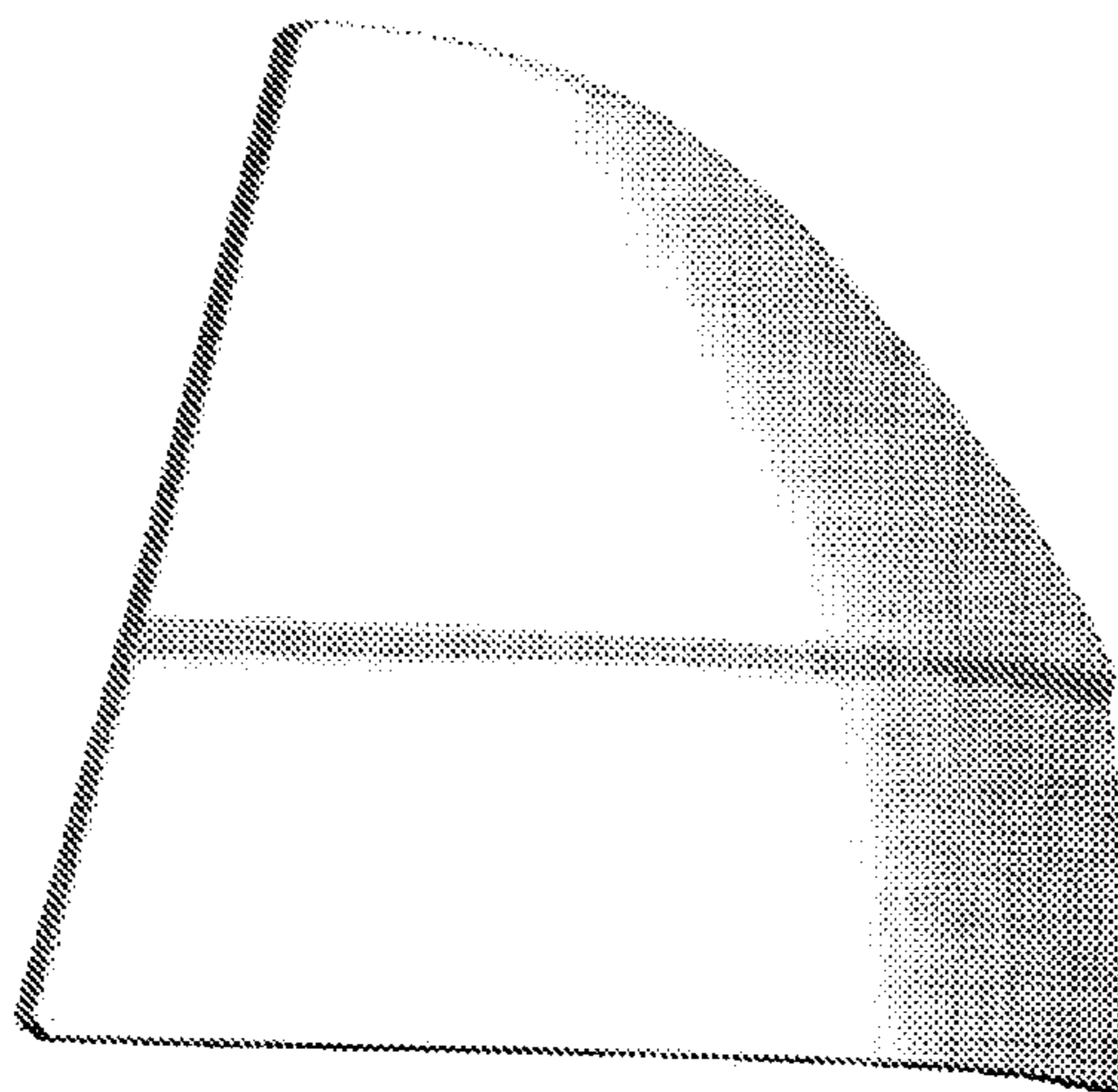
FIG. 4 is a top down plan view of the right vehicle rear taillight lens;

FIG. 5 is bottom up plan view of the right vehicle rear taillight lens; and,

FIG. 6 is an elevational view of the right vehicle rear taillight lens (as viewed from the front of the vehicle), illustrating the Class B surface. This view is not claimed and is used for secondary filing.

The vehicle rear taillight lens is styled independently of adjacent vehicle panels. To the extent that any feature lines are illustrated, they are intended to illustrate the crest and valley of the feature and are not necessarily sharp bends in the part. Shading is used to illustrate the curvature of the part and not color. Areas shown in or sounded by phantom lines are not claimed. The surface normally visible when the vehicle rear taillight lens is attached to a vehicle is called the “Class A” surface is claimed. The surface not normally visible when the vehicle rear taillight lens is attached to a vehicle is called the “Class B” surface and is not claimed. Any functional features of the vehicle rear taillight lens are not claimed.

1 Claim, 3 Drawing Sheets



OTHER PUBLICATIONS

Ford Focus CC Spy Photos, Feb. 15, 2006 <http://www.worldcarfans.com/spyphotos.cfm/country/acf/spyphotoID/6060215.001/ford/ford-focus-cc-spy-photos>.

Spy Photos: Ford Focus Coupe Cabriolet, Feb. 16, 2006 <http://www.jalopnik.com/cars/focus/spy-photos-ford-focus-coupe-cabriolet-155192.php>.

07-08 focus sedan pics, Jul. 19, 2006 <http://forums.focaljet.com/team-pit-stop/519600-07-08-focus-sedan-pics.html>.

Autoblog, Spy Shots: 2008 Ford Focus, Jul. 21, 2006 <http://www.autoblog.com/2006/07/21/spy-shots-2008-ford-focus>.

Spy Shots: 2008 Ford Focus, Jul. 21, 2006 <http://www.vroomvroom.com/spy-shots-2008-ford-focus-3123>.

Ford Focus 4x4 on the way, Jul. 26, 2006 <http://www.autospies.com/news/Ford-Focus-4x4-on-the-way-7135>.

Sneak Peek: 2008 Ford Focus, Jul. 26, 2006 <http://www.detnews.com/apps/pbcs.dll/article?AID=/20060726/AUTO03/607260310&SearchID=73252435264334>.

2006 Ford Focus Exterior Photos <http://www.automotive.com/2006/12/ford/focus/photos/exterior.html>.

* cited by examiner

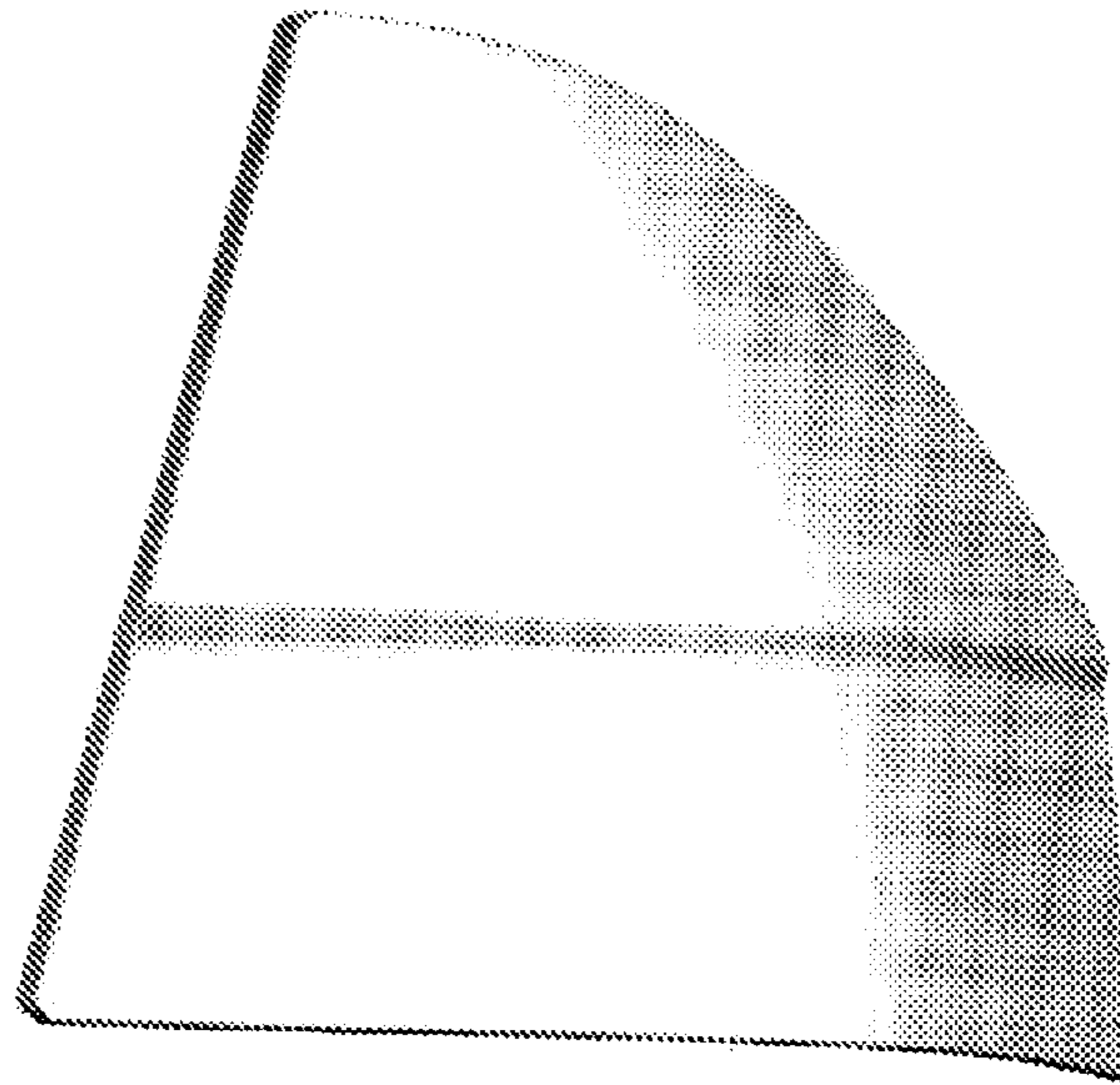


Figure 1

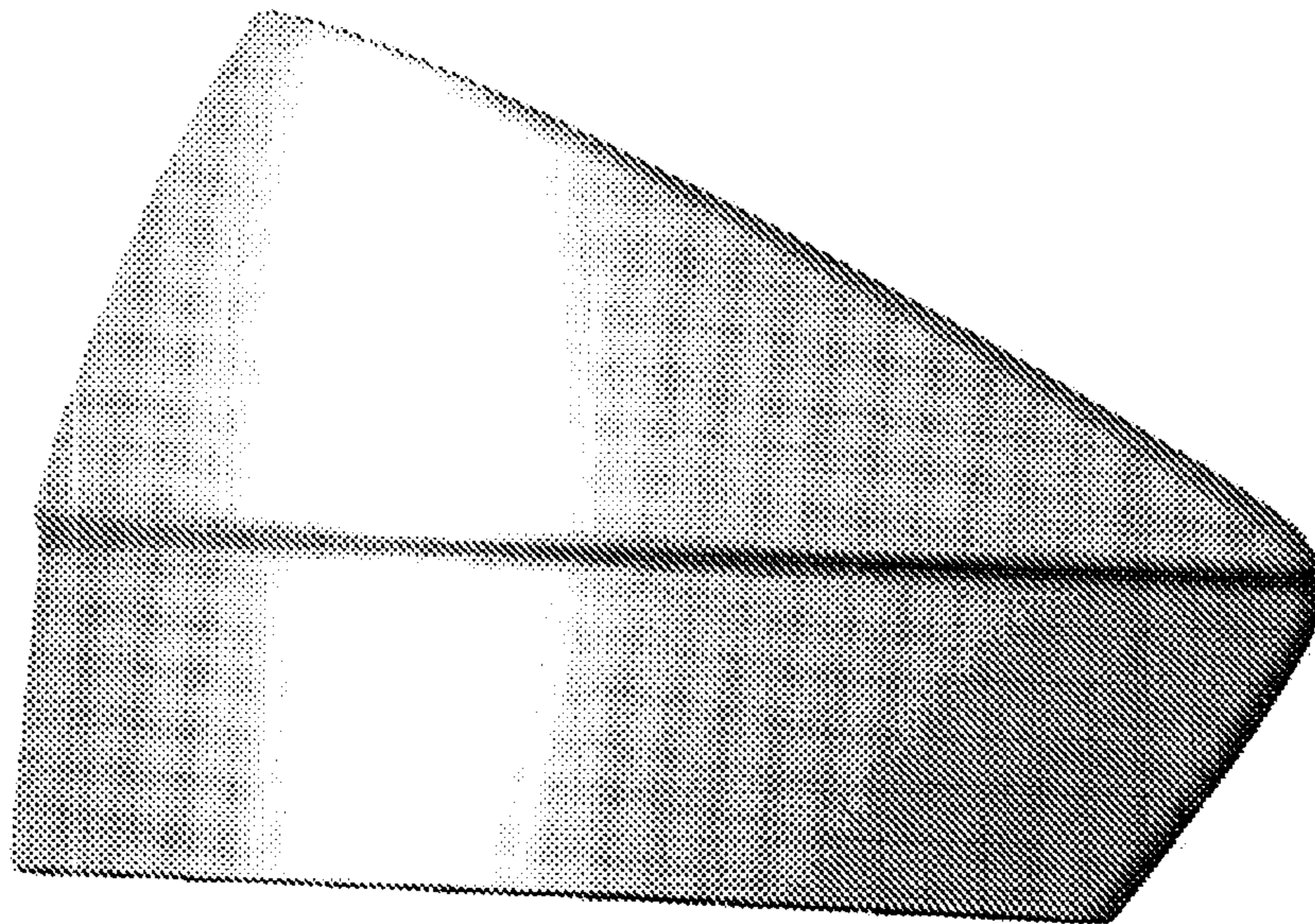


Figure 2

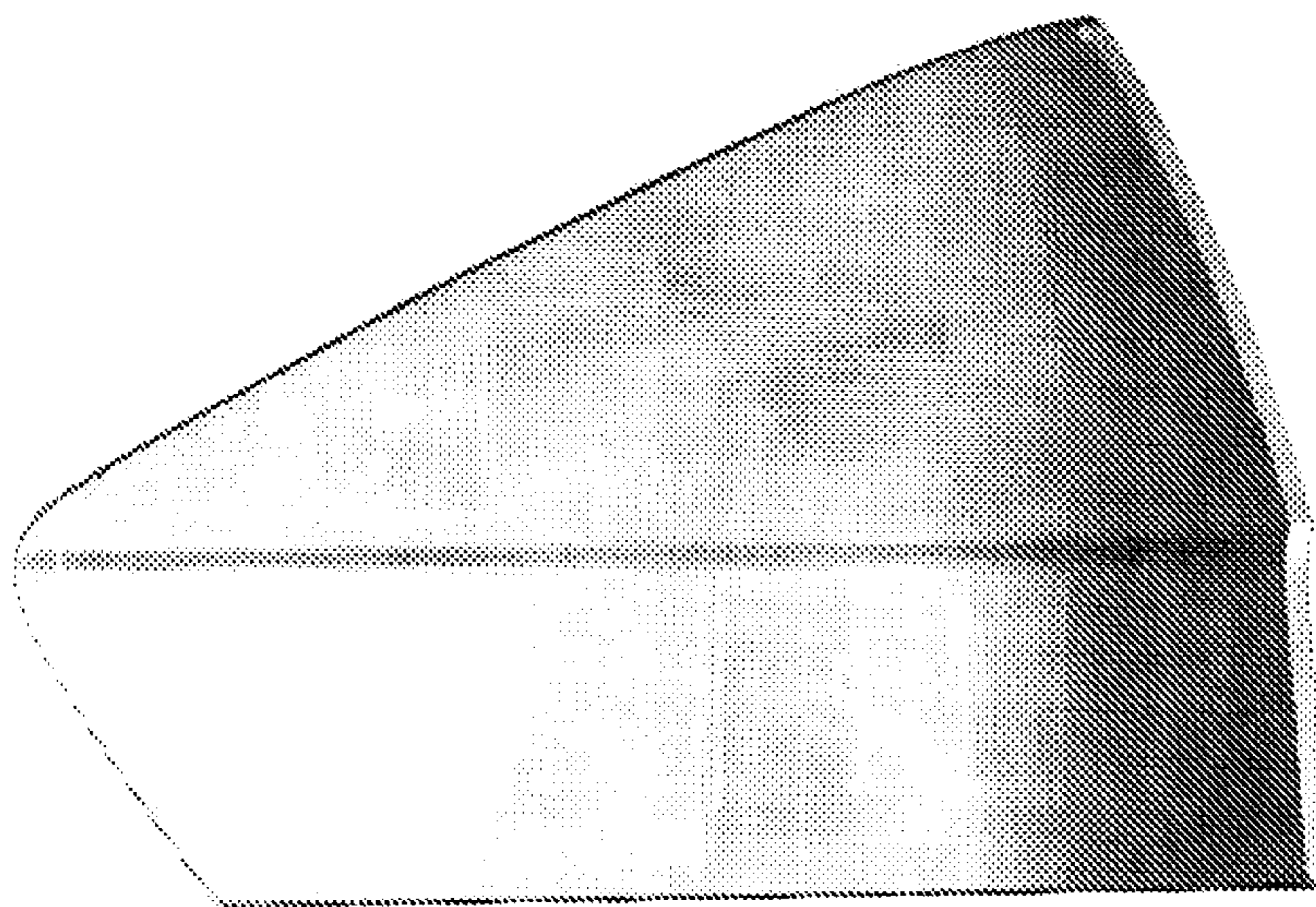


Figure 3

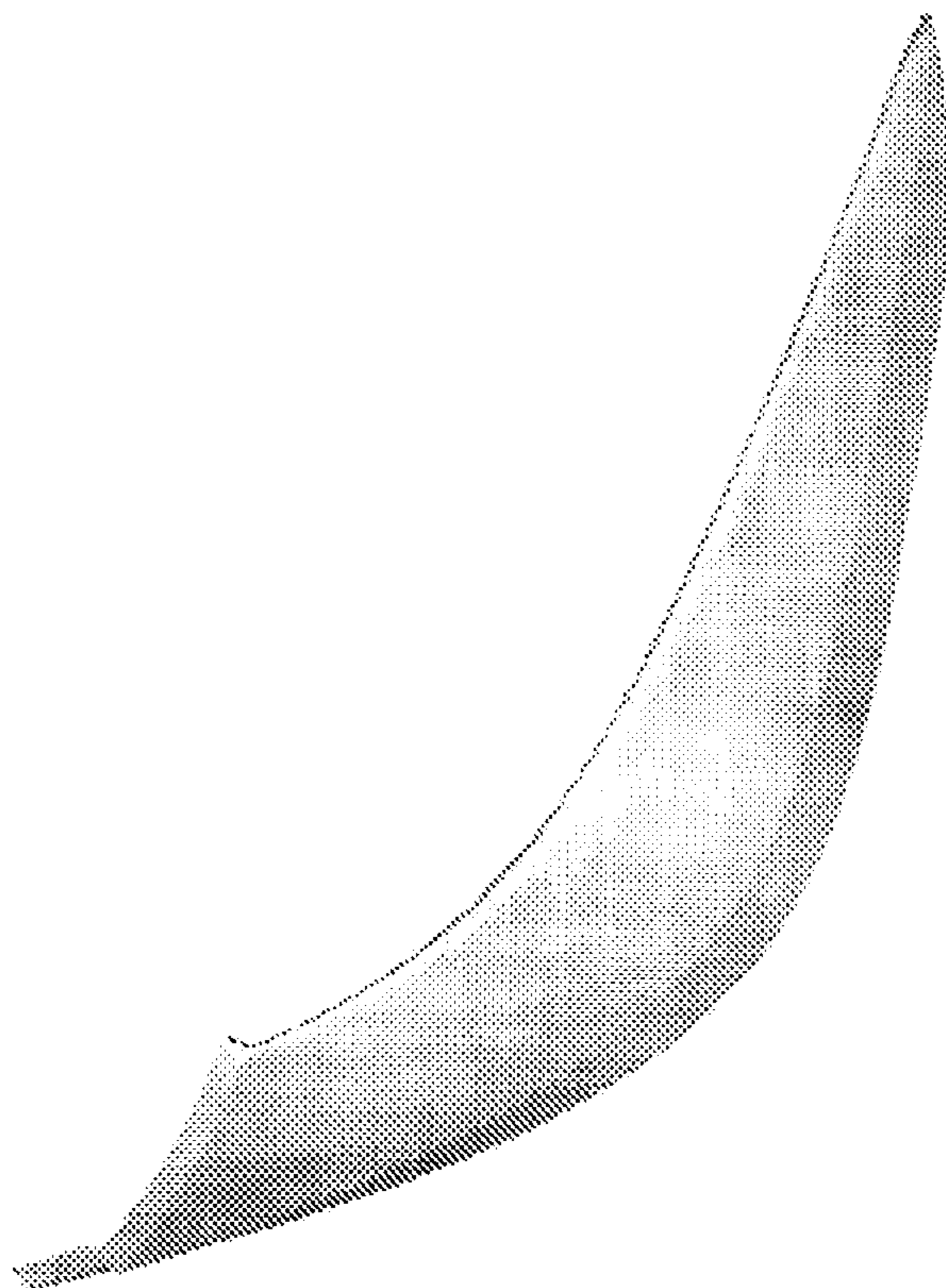


Figure 4

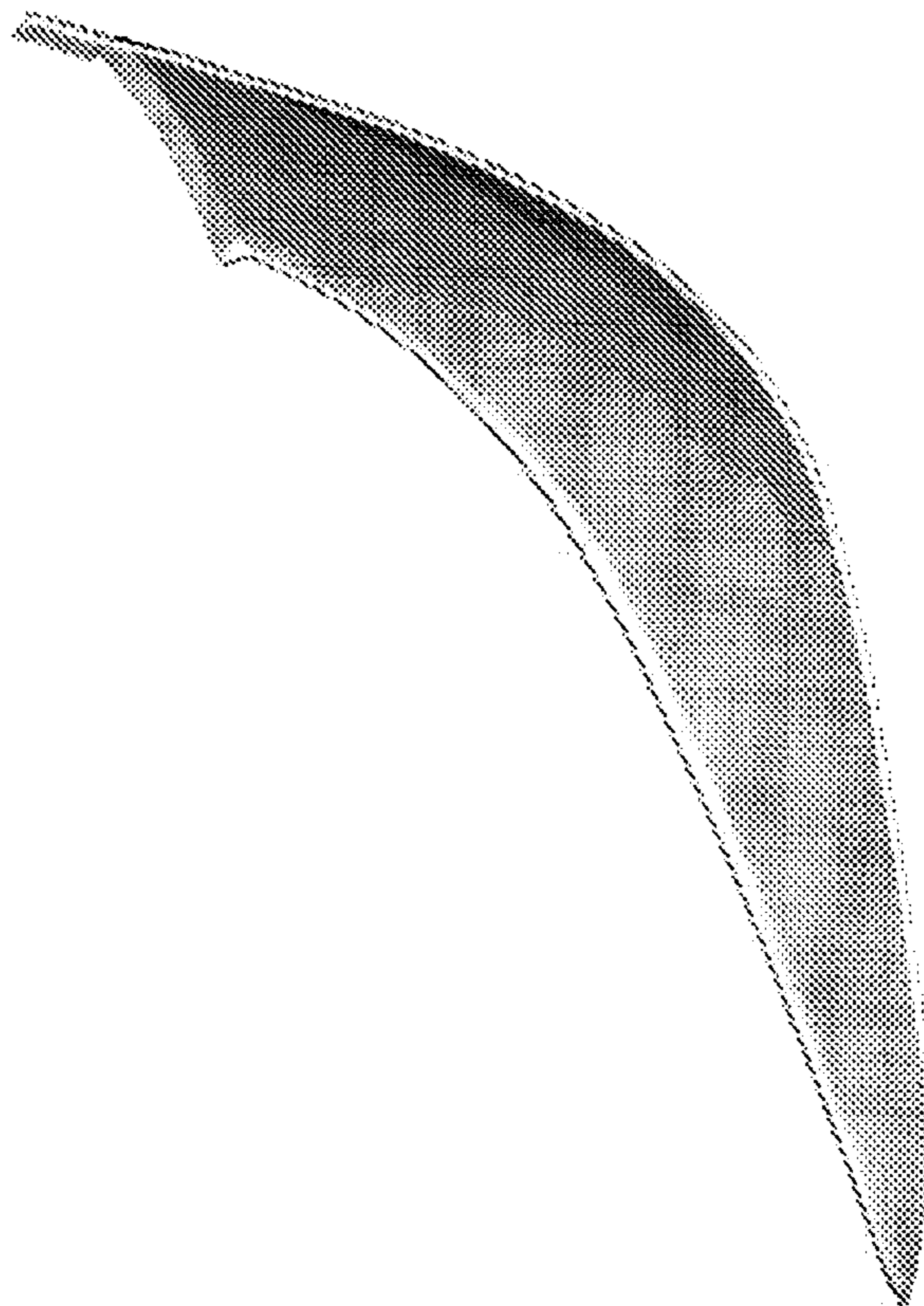


Figure 5

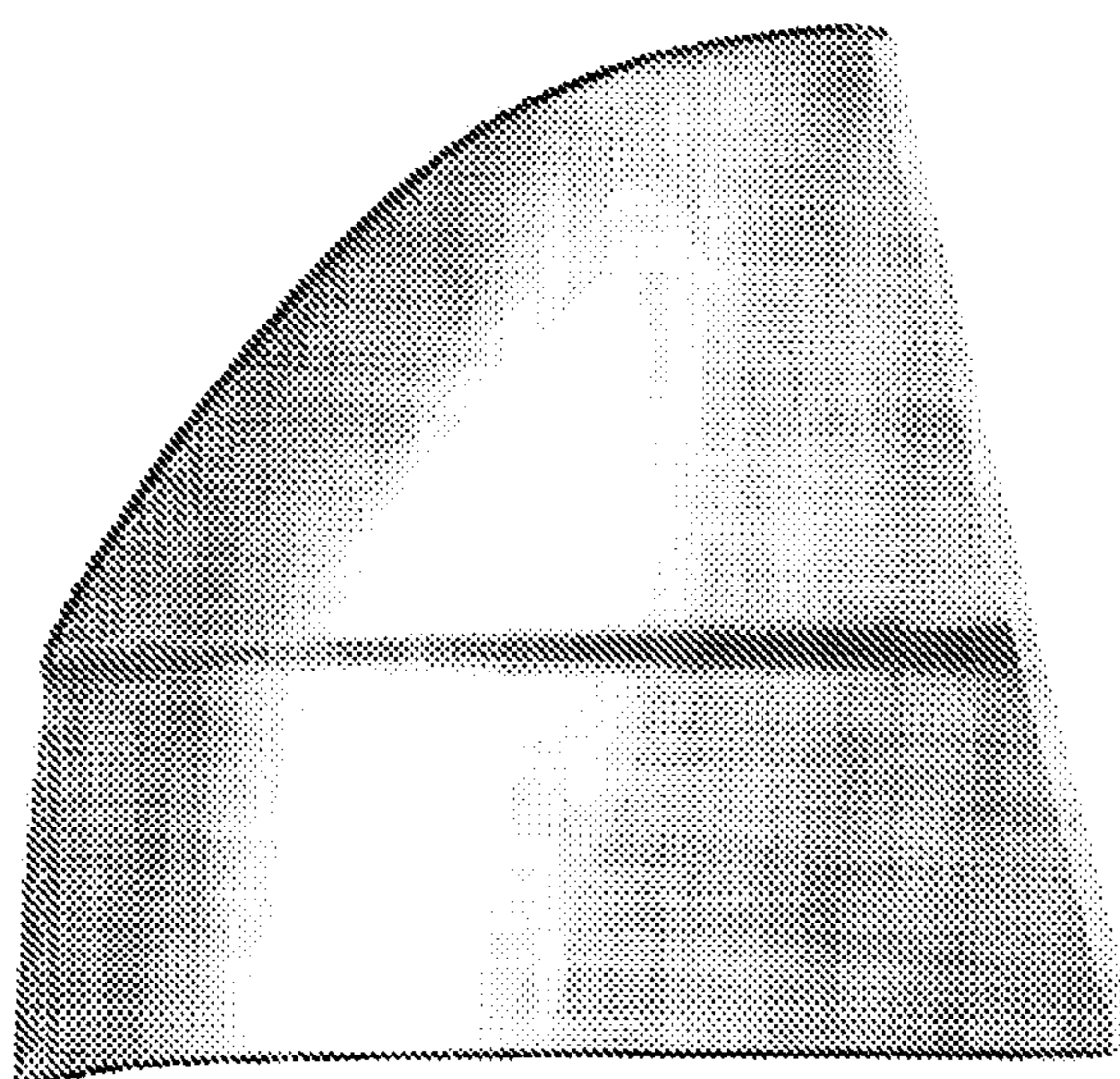


Figure 6