



US00D543646S

(12) **United States Design Patent**
Korzen

(10) **Patent No.:** **US D543,646 S**

(45) **Date of Patent:** **** May 29, 2007**

(54) **HI-OUTPUT CF CLUSTER LAMP**

(76) **Inventor:** **Victor Korzen**, 6587 N. Lakewood -
Suite #2, Chicago, IL (US) 60620

(**) **Term:** **14 Years**

(21) **Appl. No.:** **29/257,259**

(22) **Filed:** **Mar. 31, 2006**

(51) **LOC (8) Cl.** **26-04**

(52) **U.S. Cl.** **D26/3**

(58) **Field of Classification Search** D26/1-4;
313/313, 315, 316, 317, 318; 315/52, 53,
315/56, 57, 58

See application file for complete search history.

(56) **References Cited**

U.S. PATENT DOCUMENTS

D317,508 S * 6/1991 Lim D26/3

D426,324 S * 6/2000 Gunsagar et al. D26/3

* cited by examiner

Primary Examiner—Marcus A. Jackson
(74) *Attorney, Agent, or Firm*—Meroni & Meroni, P.C.;
Charles F. Meroni, Jr.

(57) **CLAIM**

I claim the ornamental design for hi-output CF cluster lamp,
as shown and described.

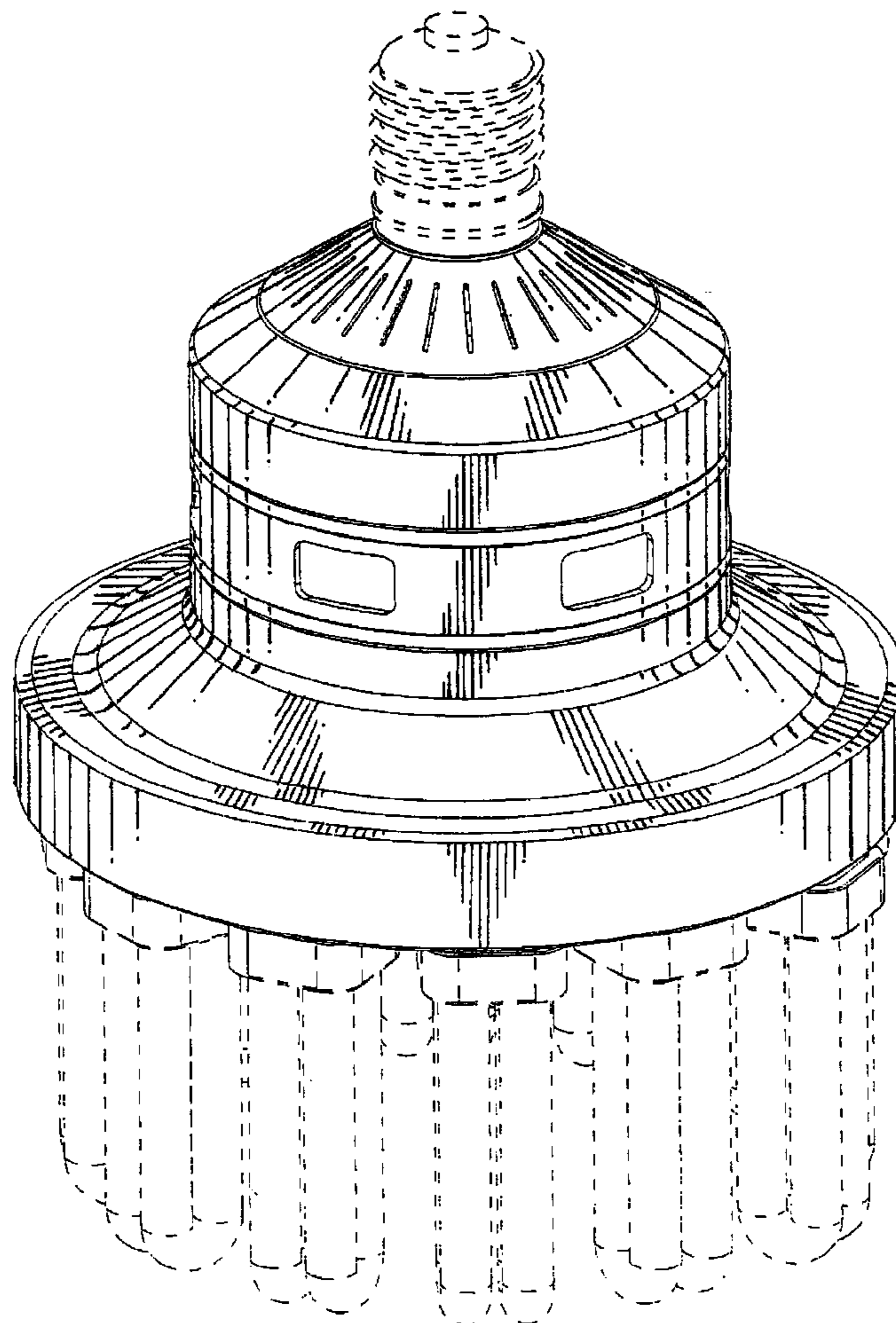
DESCRIPTION

FIG. 1 is a perspective view of my hi-output CF cluster lamp,
and the broken lines show that threads for securing the
lamp into an electrical socket and the broken lines showing
light bulbs are all for illustration purposes only, and form no
part of the claimed design.

FIG. 2 is a bottom view of my hi-output CF cluster lamp
shown in FIG. 1, and the broken lines showing the lamp bulb
sockets are for illustrative purposes only, and form no part
of the claimed design; and,

FIG. 3 is a side view of one side of my hi-output CF cluster
lamp shown in FIG. 1 as viewed from another rear location.

1 Claim, 3 Drawing Sheets



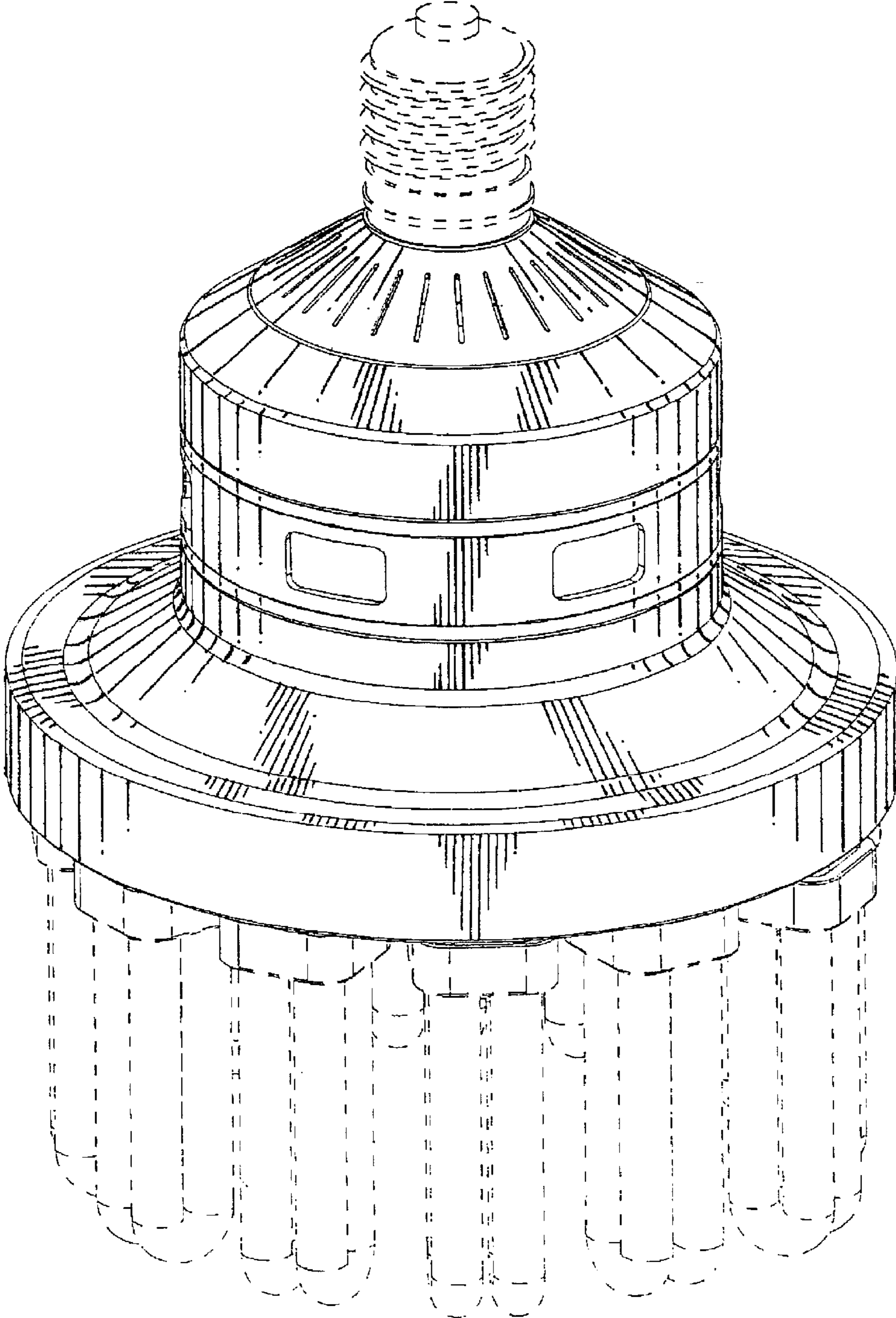


Fig. 1

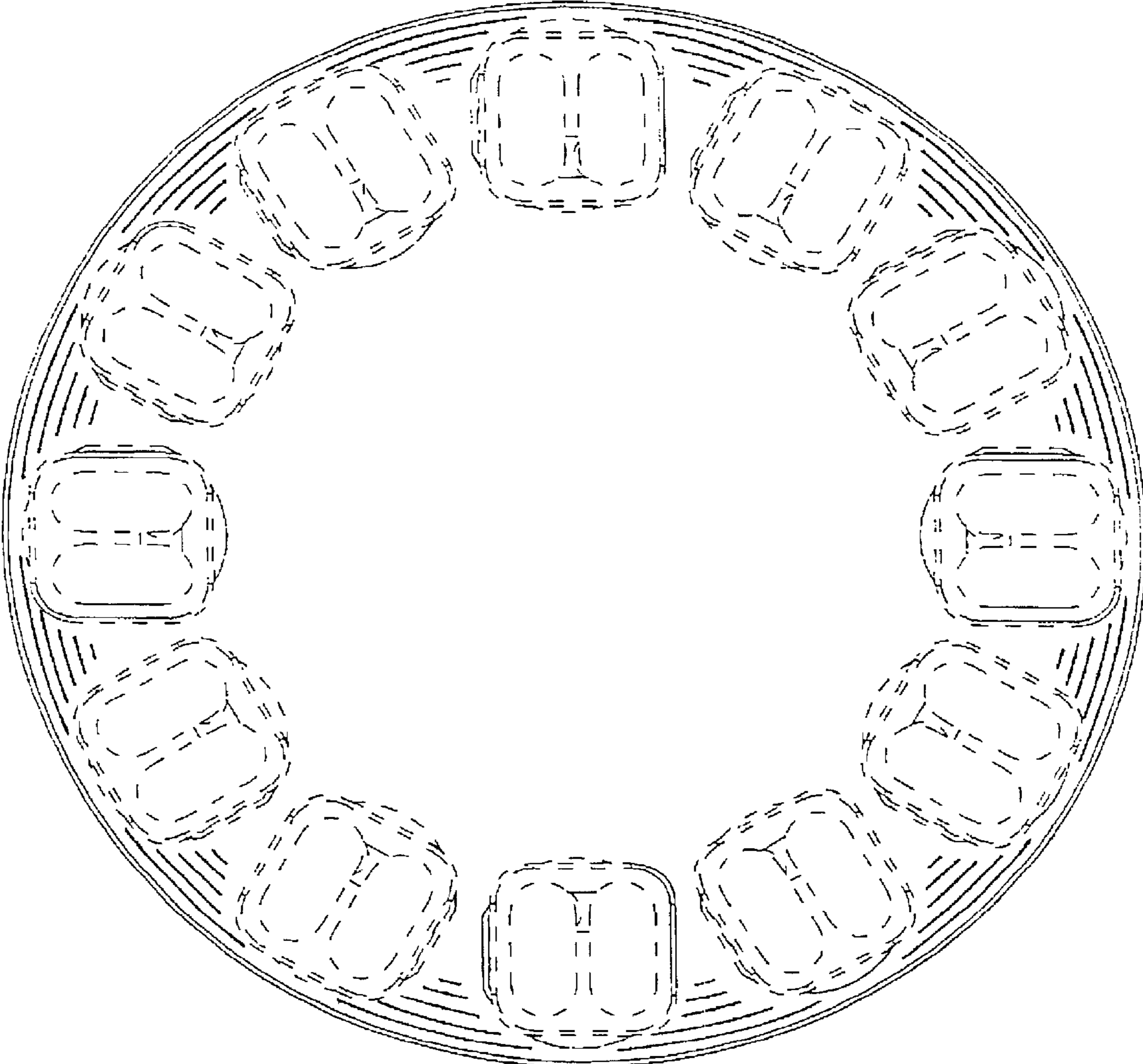


Fig. 2

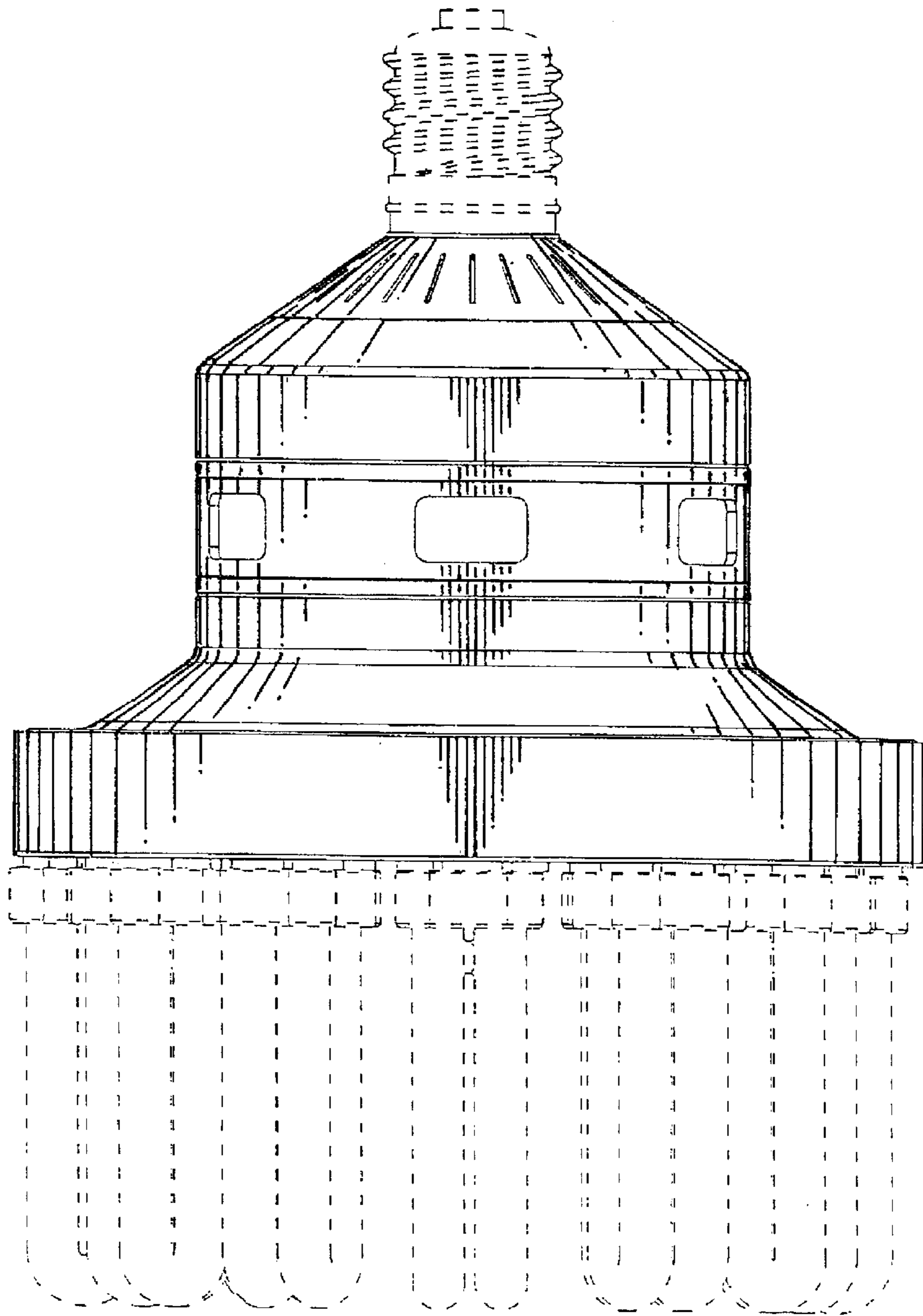


Fig. 3