



US00D543645S

(12) **United States Design Patent**
Hawass

(10) **Patent No.:** **US D543,645 S**

(45) **Date of Patent:** **** May 29, 2007**

(54) **COMPACT FLUORESCENT LIGHT WITH BUILT-IN, TEA-LIGHT CANDLE HOLDER**

(76) Inventor: **Nour-El-Din Hawass**, 4 Lady Slipper Dr., Halifax, Nova Scotia (CA), B3M 3R5

(**) Term: **14 Years**

(21) Appl. No.: **29/229,305**

(22) Filed: **May 6, 2005**

(51) **LOC (8) Cl.** **26-04**

(52) **U.S. Cl.** **D26/3**

(58) **Field of Classification Search** D26/1-4;
313/313, 315, 317, 318, 493; 315/52, 53,
315/56, 57, 58

See application file for complete search history.

(56) **References Cited**

U.S. PATENT DOCUMENTS

1,535,486	A	4/1925	Lundy	
3,762,857	A	10/1973	Andeweg	
3,890,085	A	6/1975	Andeweg	
4,965,490	A	10/1990	Ratner	
6,241,362	B1	6/2001	Morrison	
D447,580	S *	9/2001	Kim	D26/3
D448,502	S *	9/2001	Choi	D26/3
6,305,108	B1	10/2001	Lin	
D462,464	S *	9/2002	Yeh	D26/3
D471,653	S *	3/2003	Lin et al.	D26/3
D479,753	S *	9/2003	Kakuno et al.	D26/3
D498,311	S *	11/2004	Leung et al.	D26/3

* cited by examiner

Primary Examiner—Marcus A. Jackson

(74) *Attorney, Agent, or Firm*—Mario Theriault

(57) **CLAIM**

The ornamental design for a compact fluorescent light with built-in, tea-light candle holder, as shown and described.

DESCRIPTION

FIG. 1 is a perspective front, right side and bottom view of a compact fluorescent light with built-in, tea-light candle holder, showing the first variant of my design;

FIG. 2 is a front view thereof;

FIG. 3 is a right side view thereof;

FIG. 4 is a rear view thereof;

FIG. 5 is a left side view thereof;

FIG. 6 is a bottom view thereof;

FIG. 7 is a top view thereof;

FIG. 8 is a perspective front, right side and bottom view of the second variant of my design;

FIG. 9 is a front view of the second variant of my design;

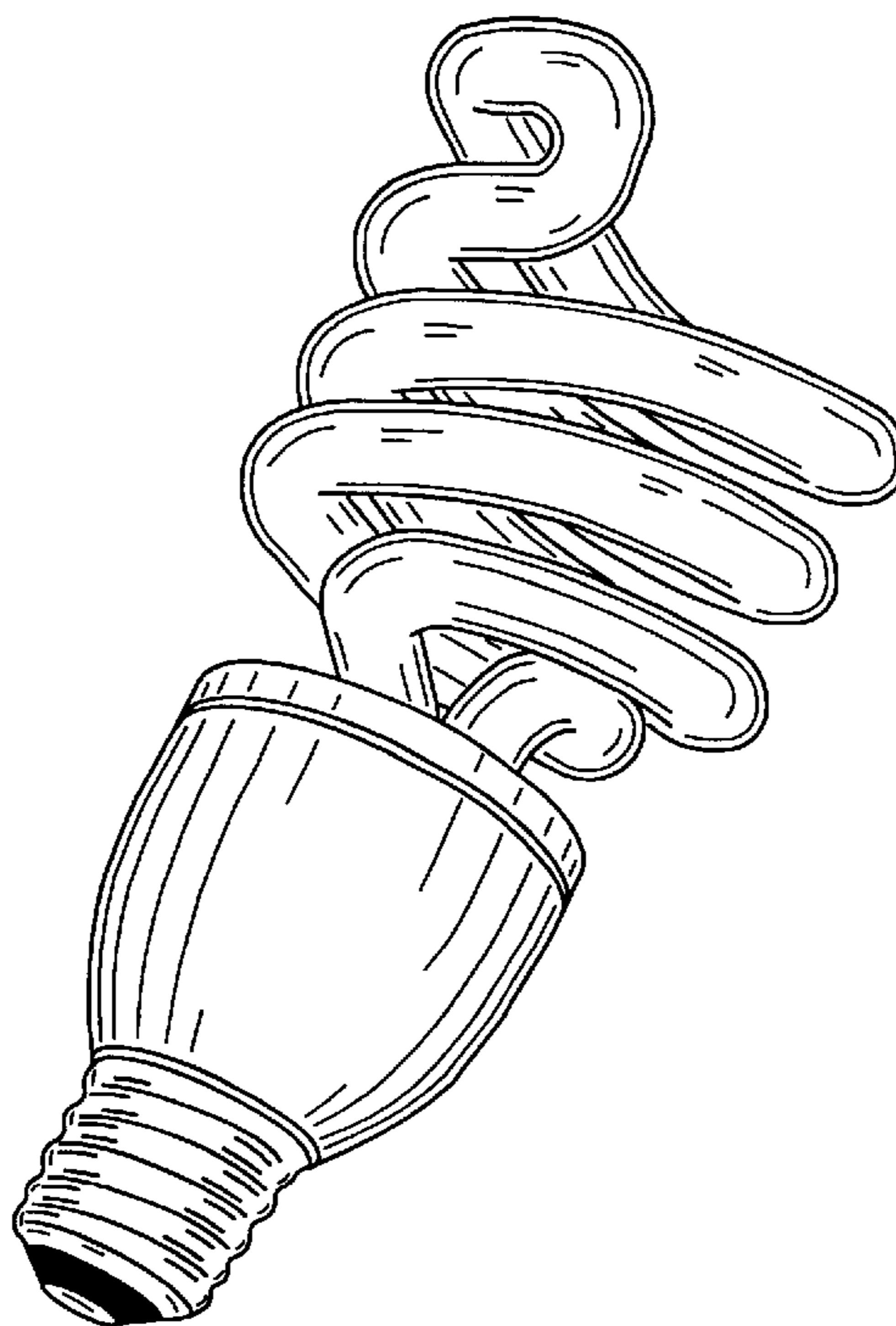
FIG. 10 is a right side view of the second variant of my design;

FIG. 11 is a rear view of the second variant of my design; FIG. 12 is a left side view of the second variant of my design; and,

FIG. 13 is a top view the second variant of my design; the bottom view of the second variant of my design being a same image as in FIG. 6.

The dotted line disclosure of a tea-light candle in FIG. 2 is for illustrative purposes only and forms no part of the claimed design.

1 Claim, 4 Drawing Sheets



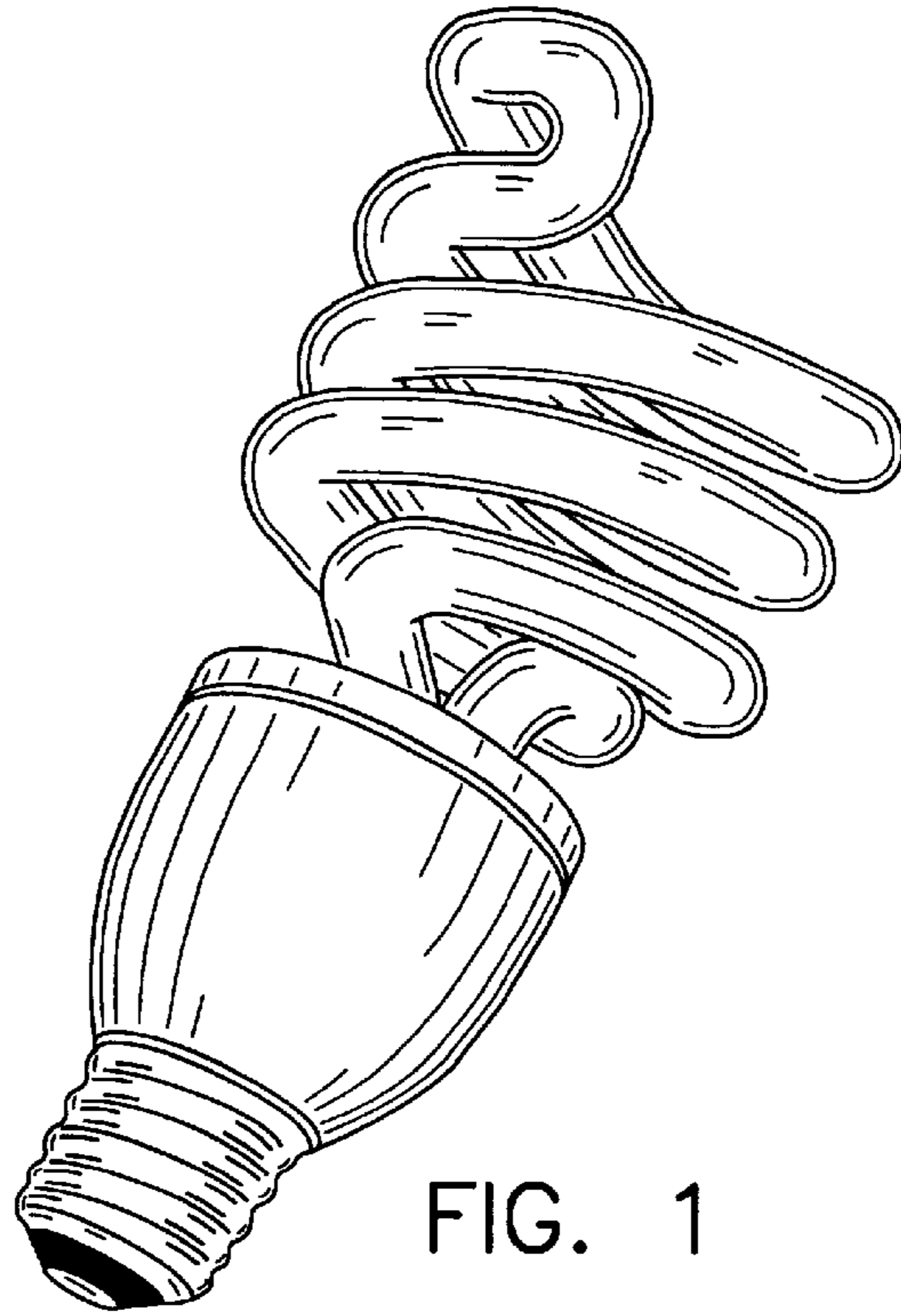


FIG. 1

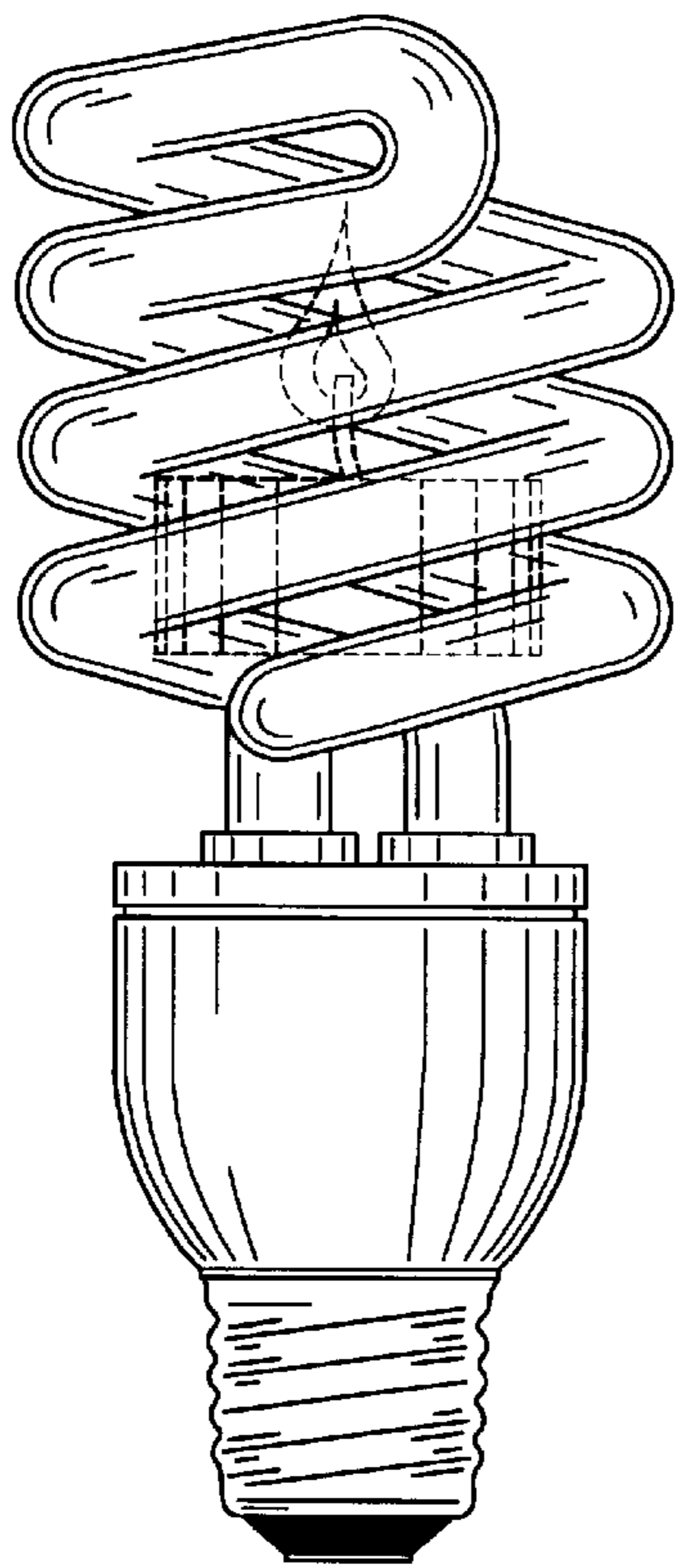


FIG. 2

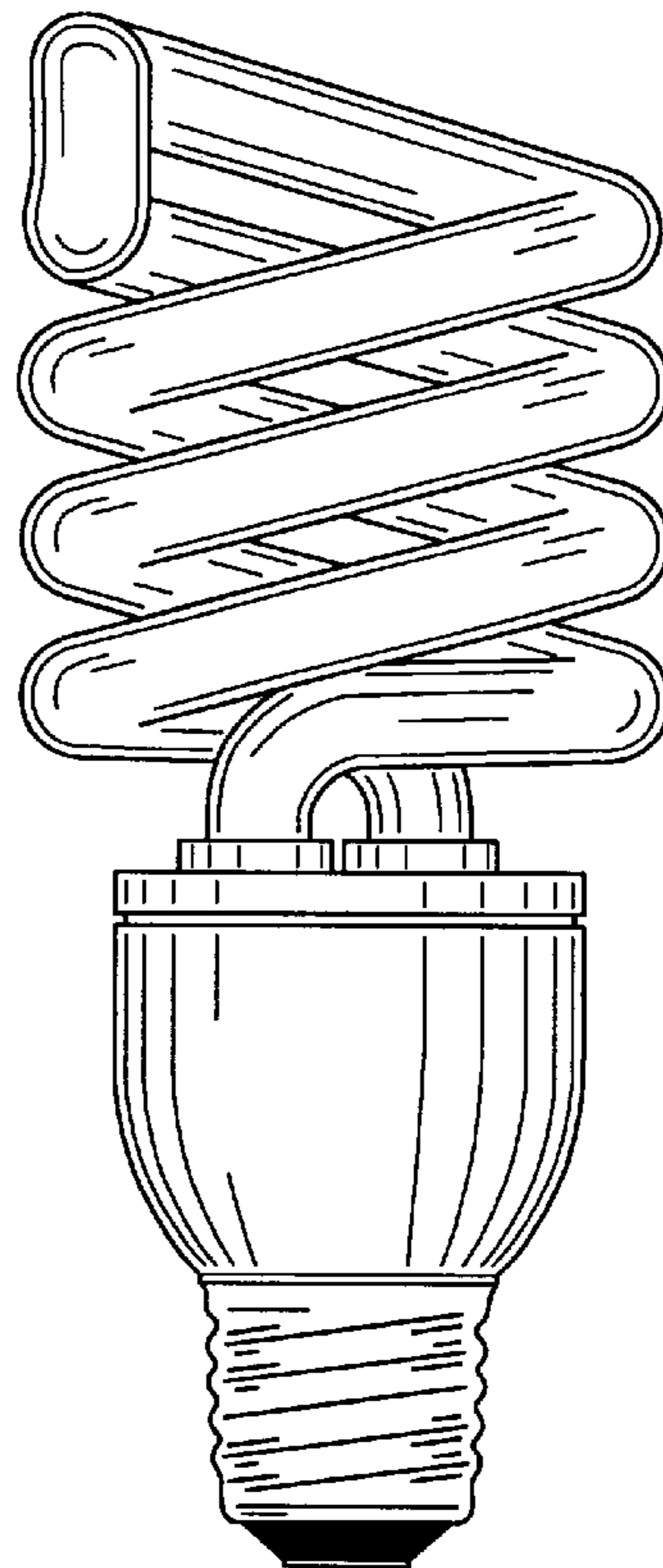


FIG. 3

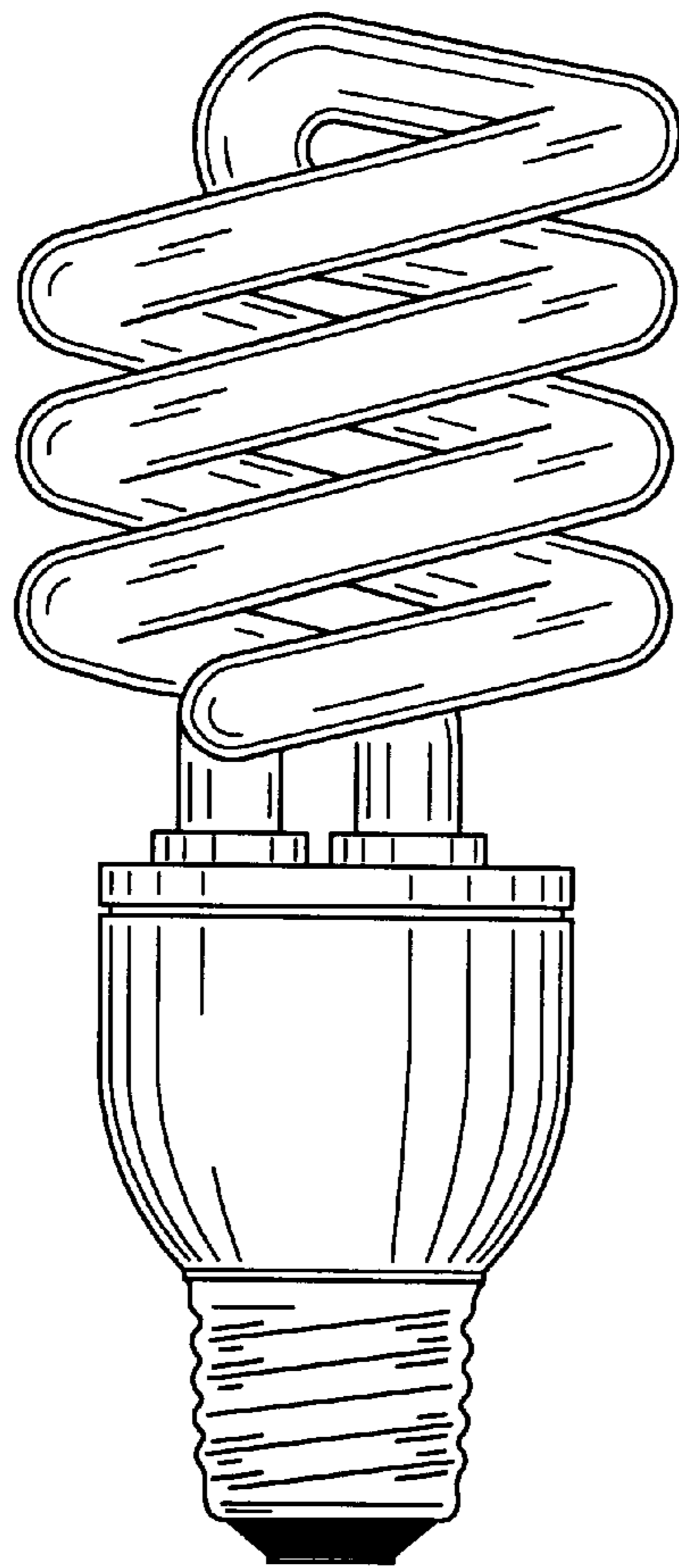


FIG. 4

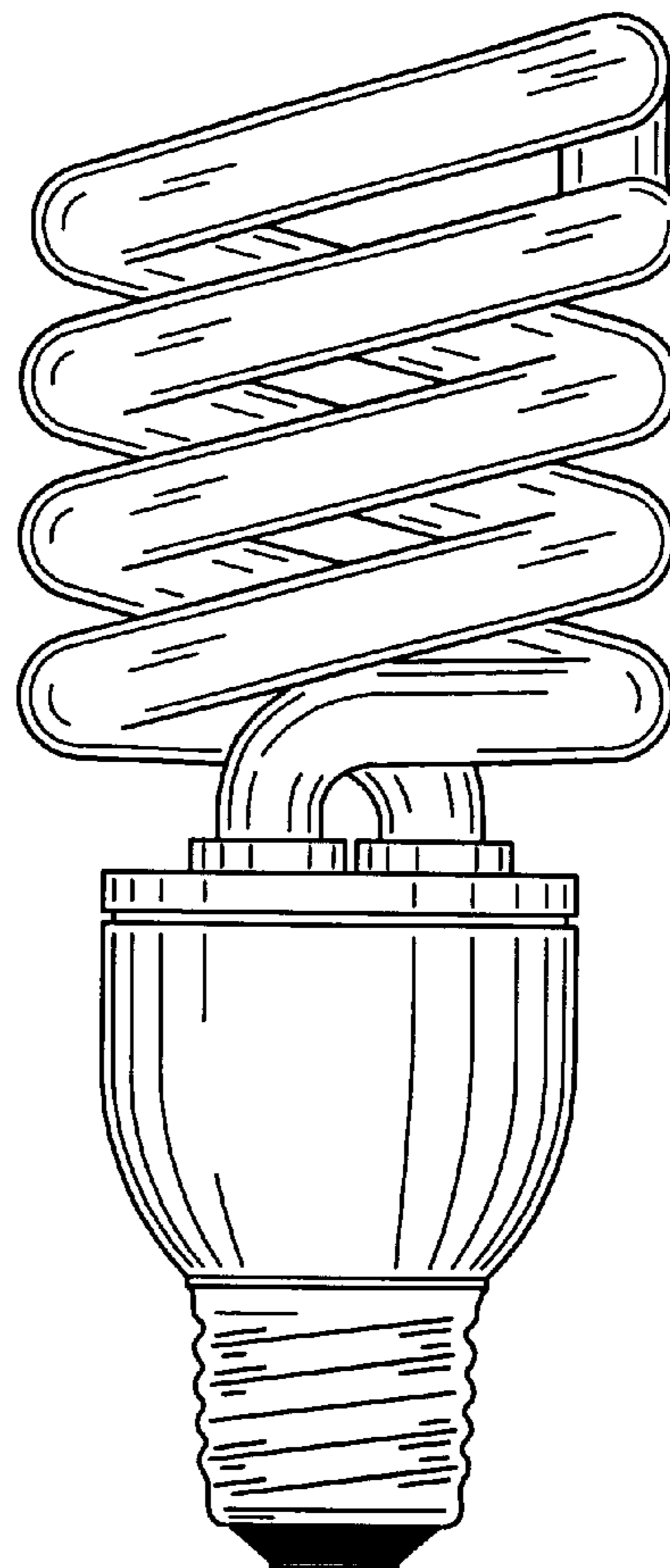


FIG. 5

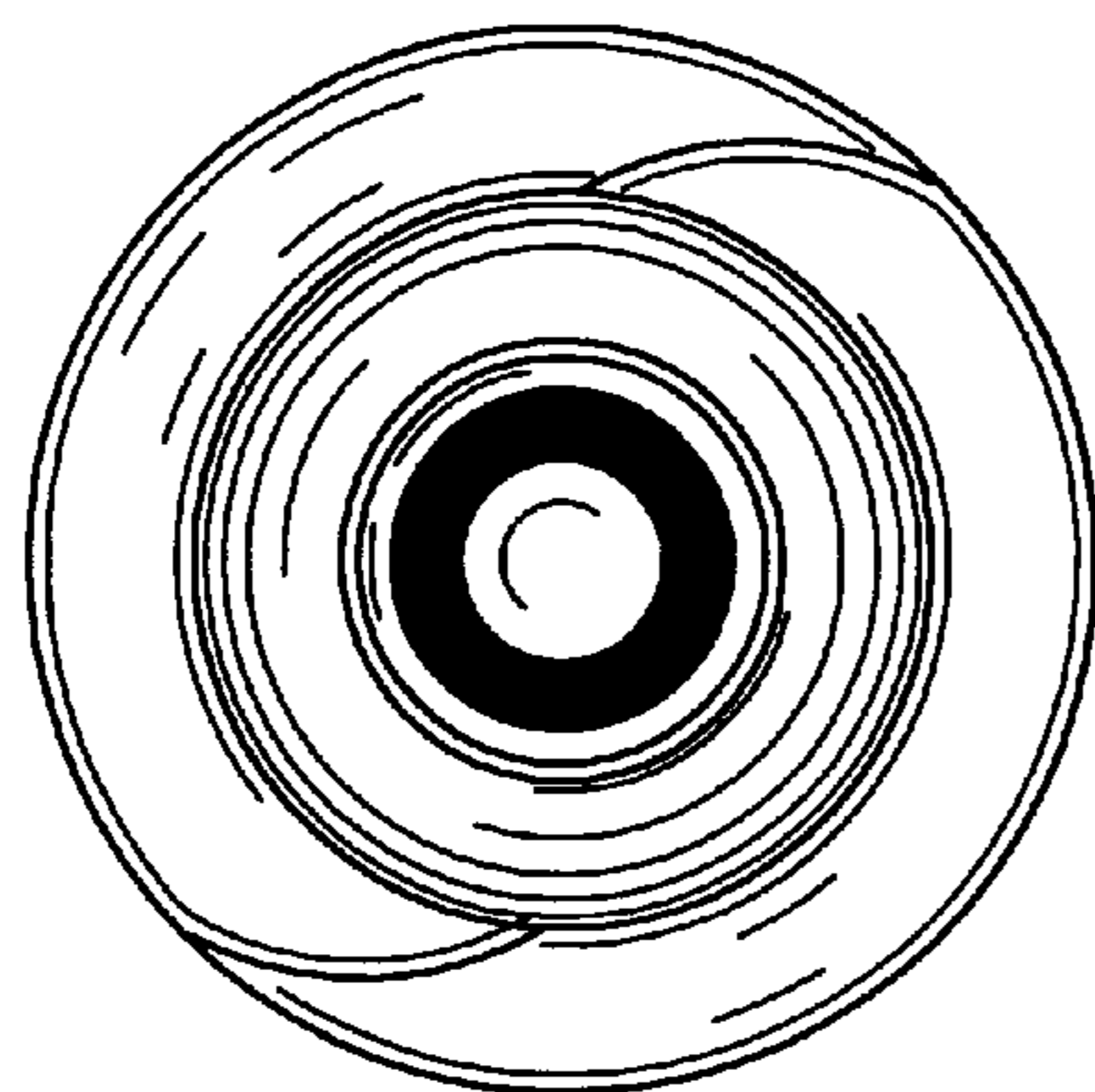


FIG. 6

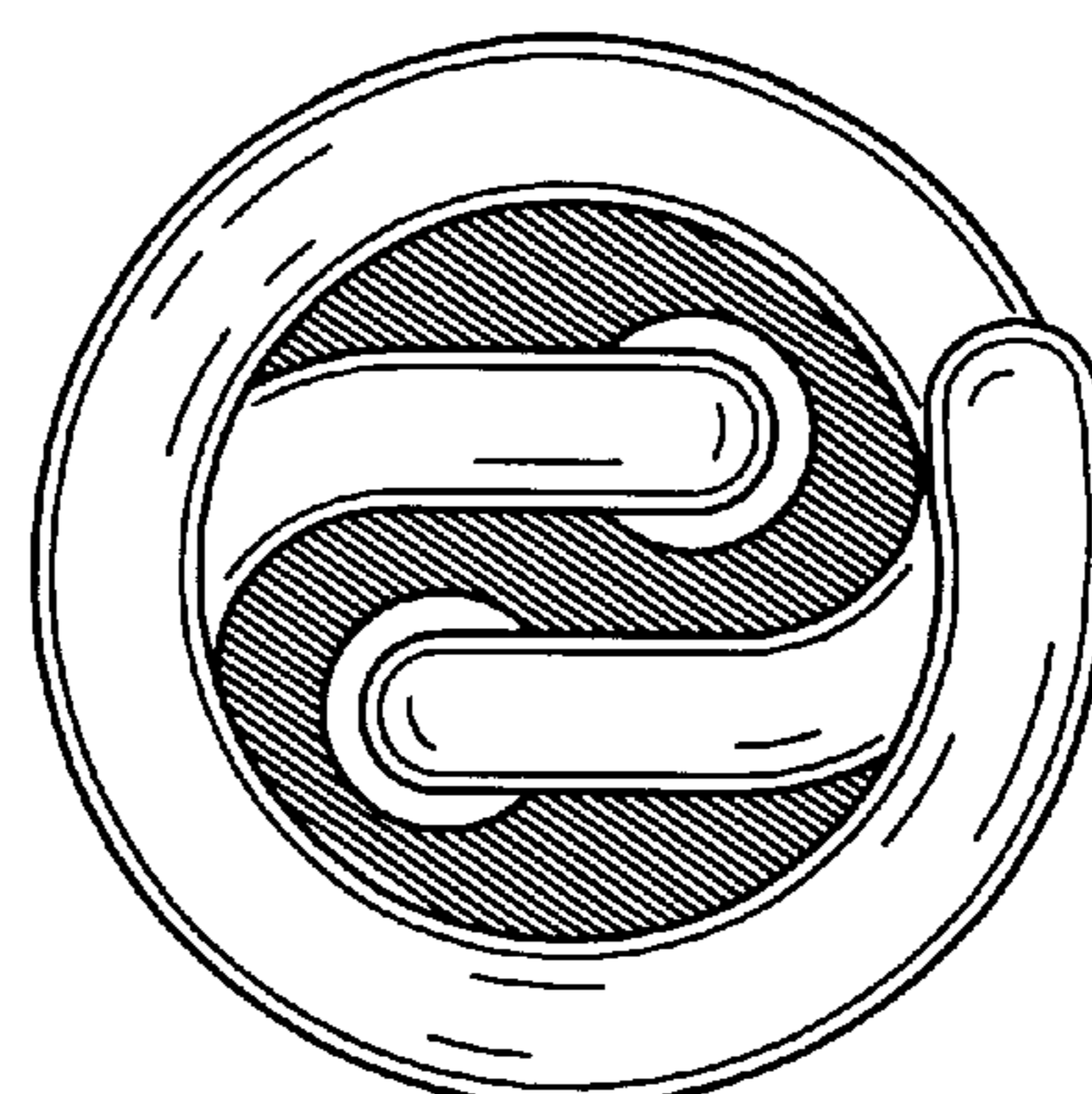


FIG. 7

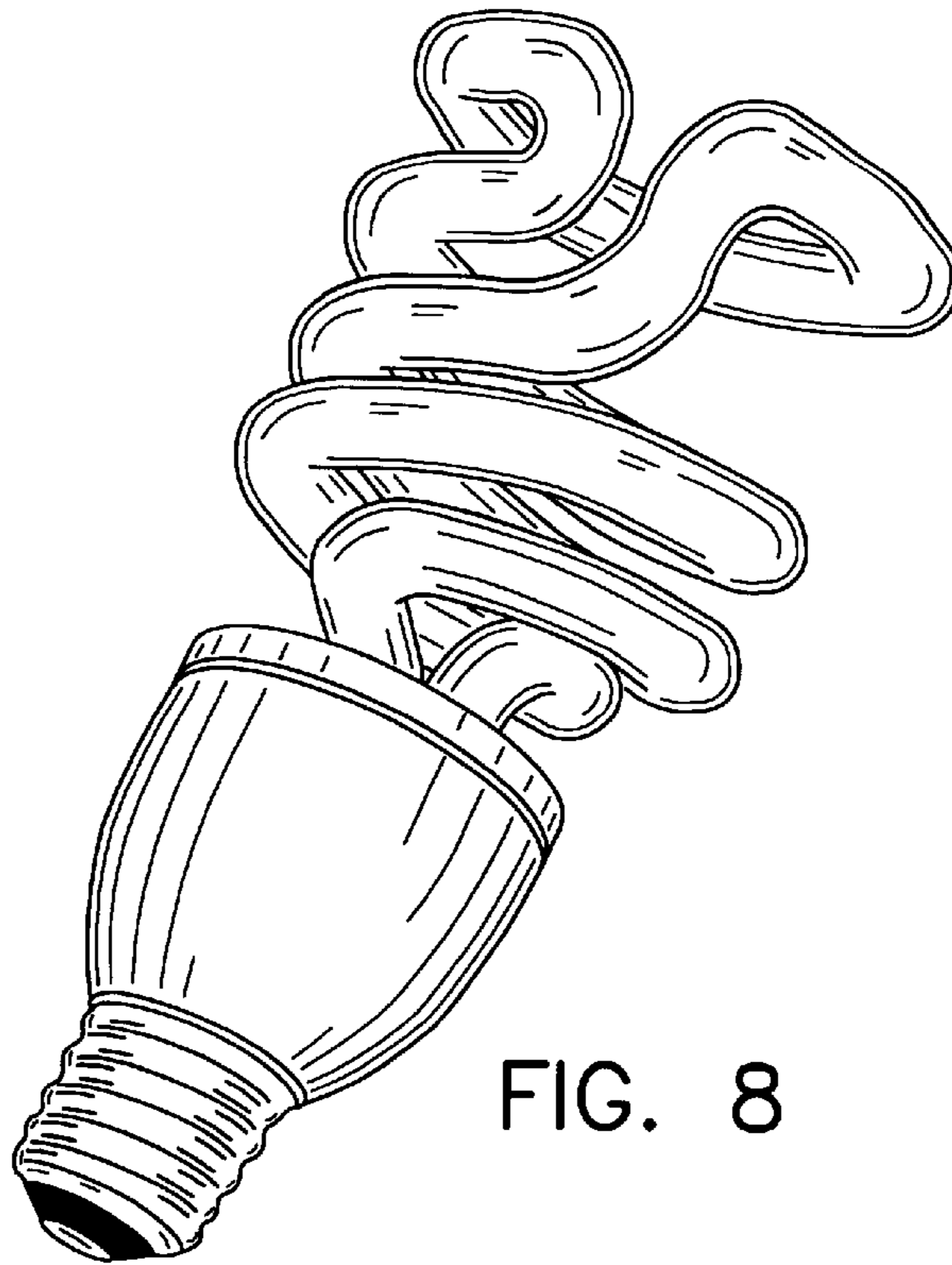


FIG. 8

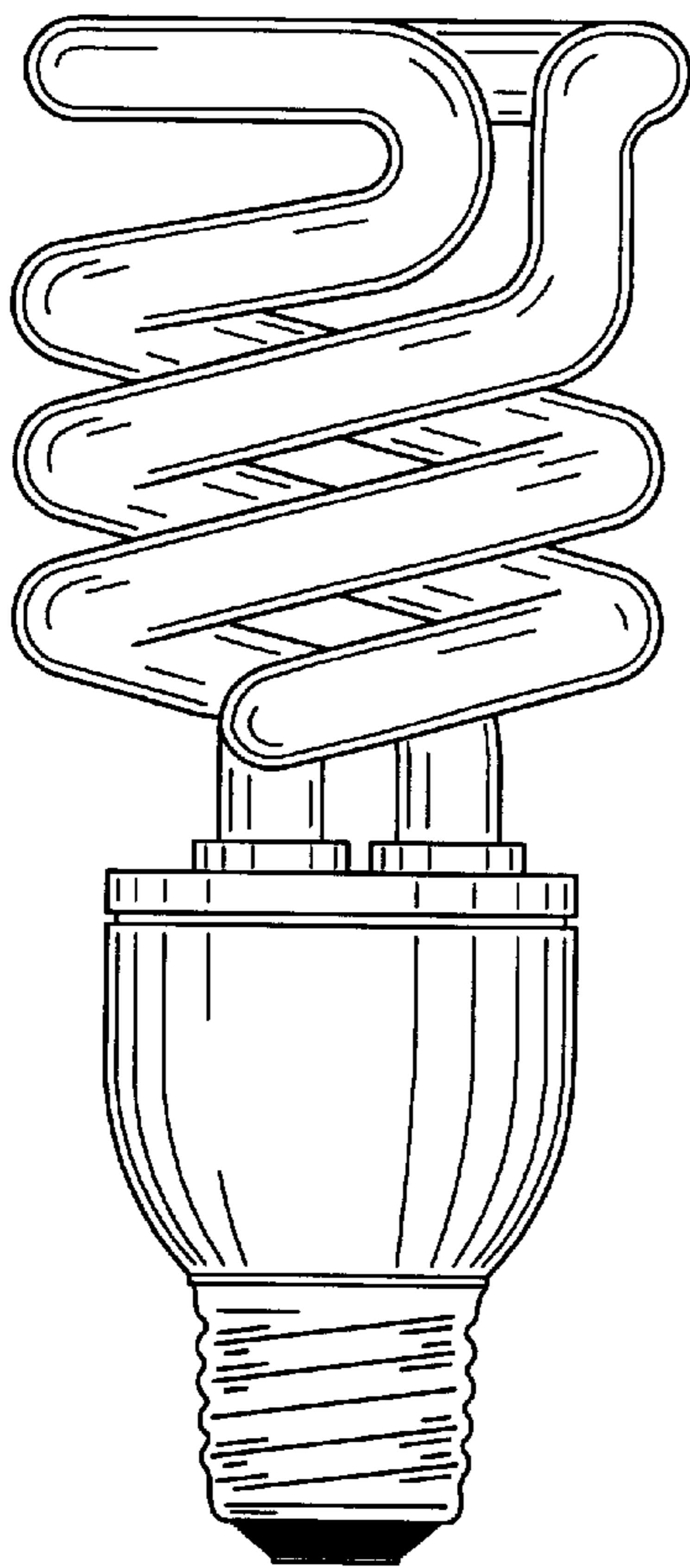


FIG. 9

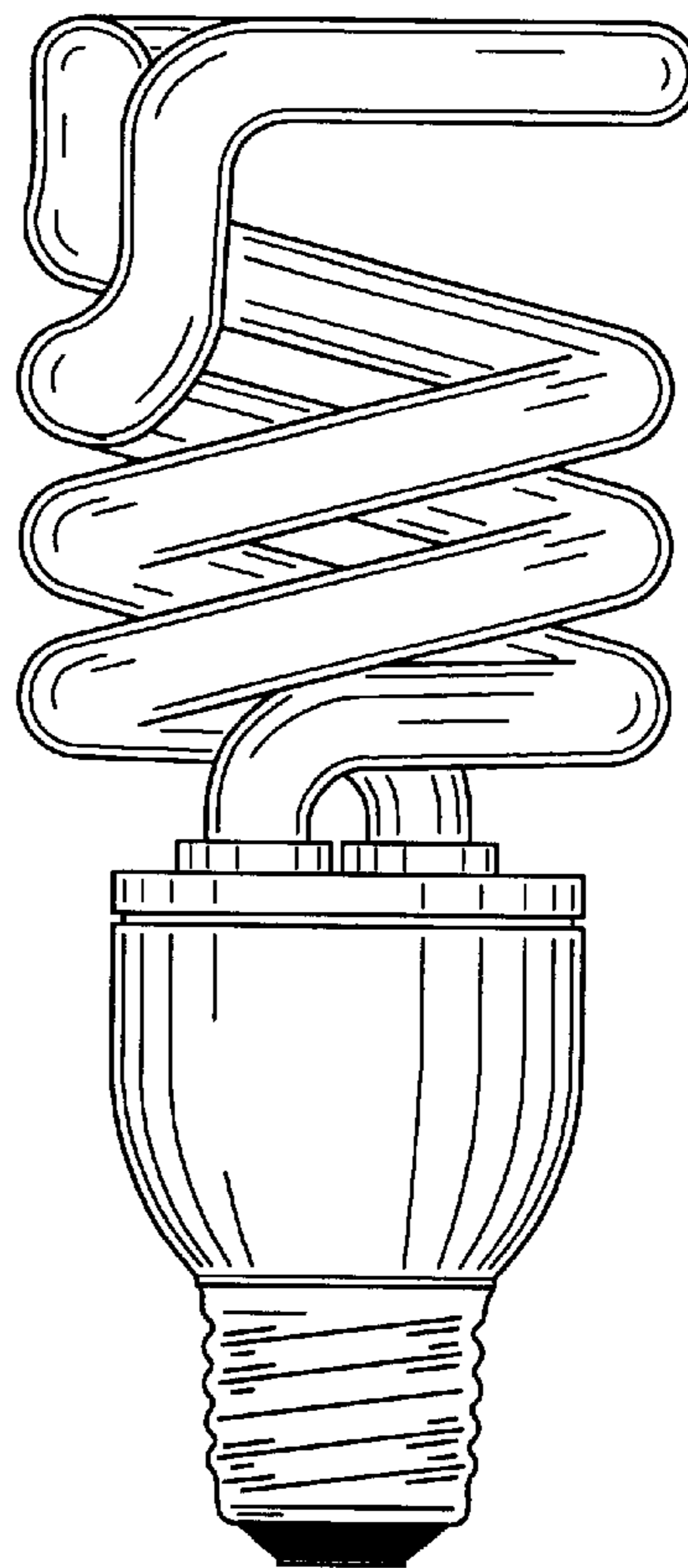


FIG. 10

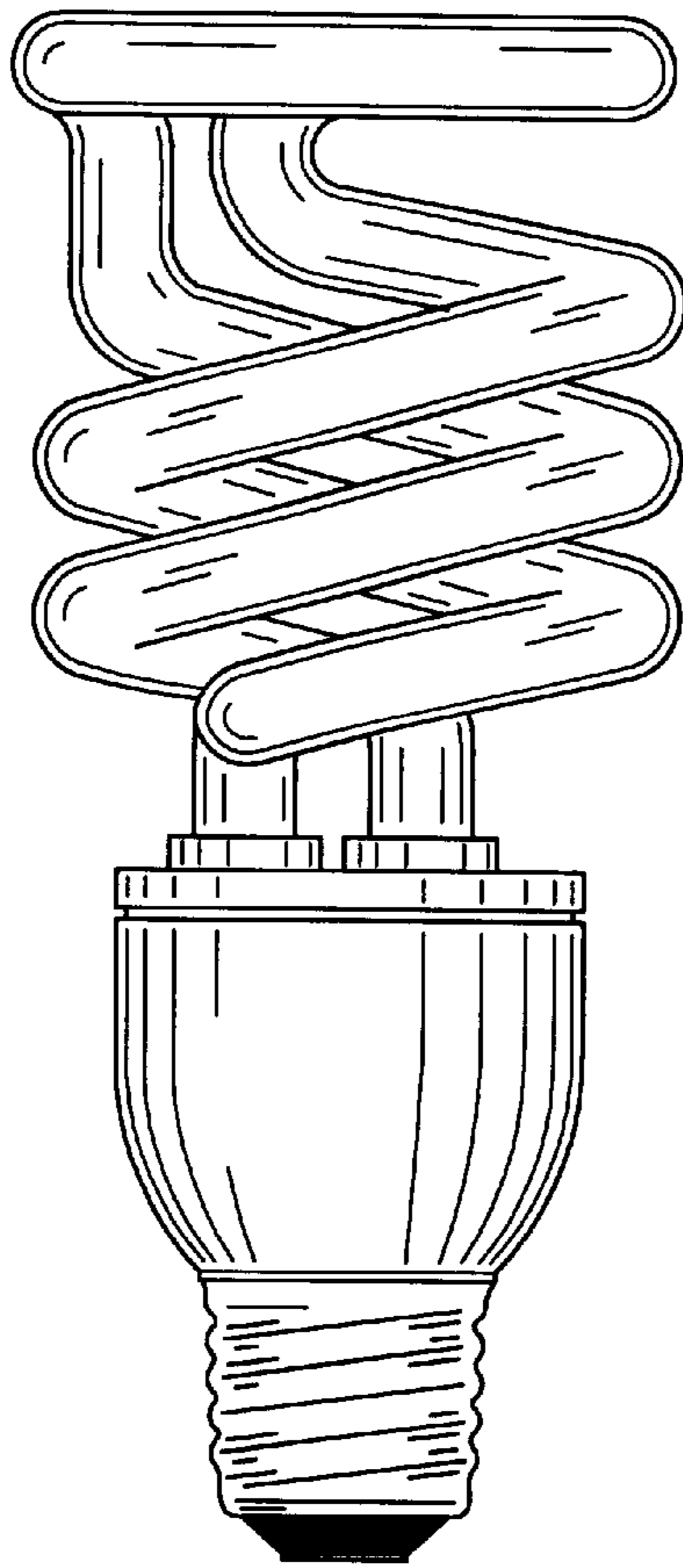


FIG. 11

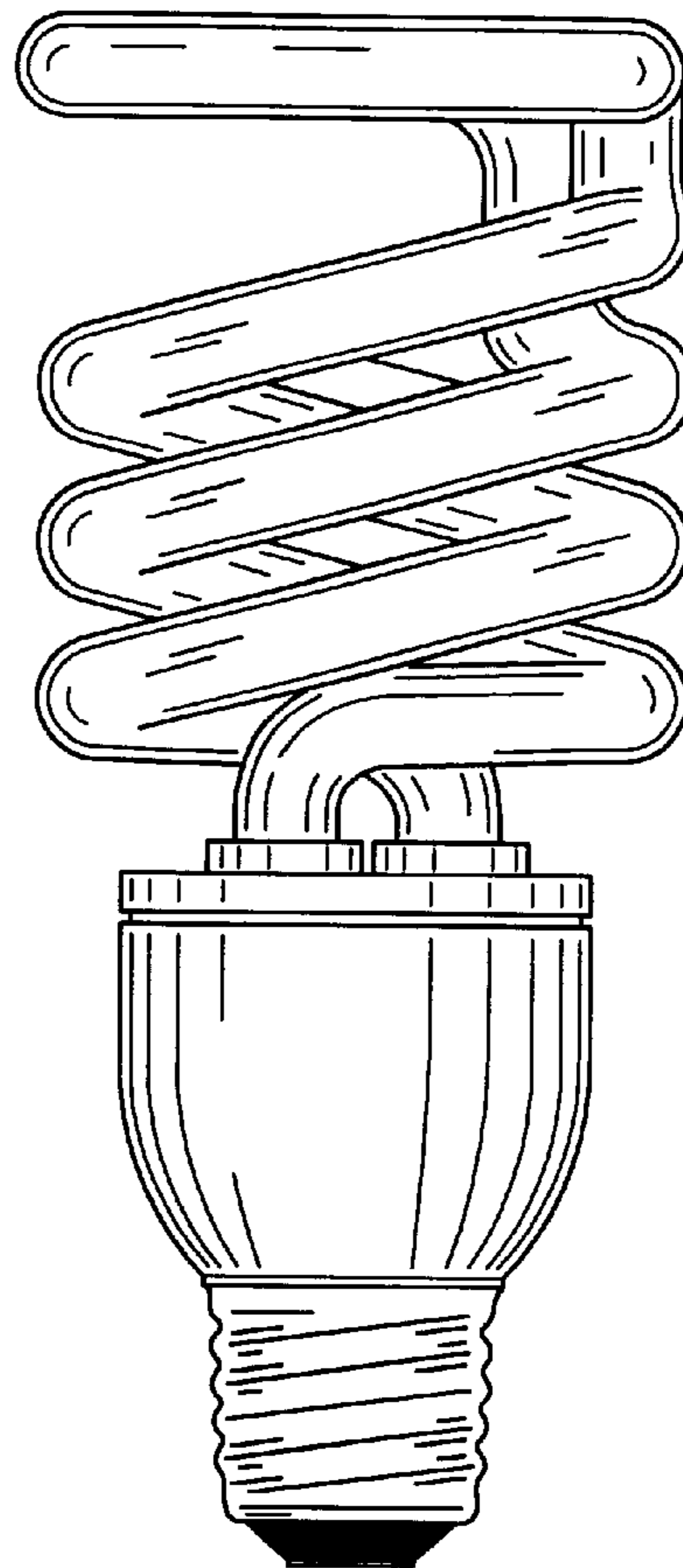


FIG. 12

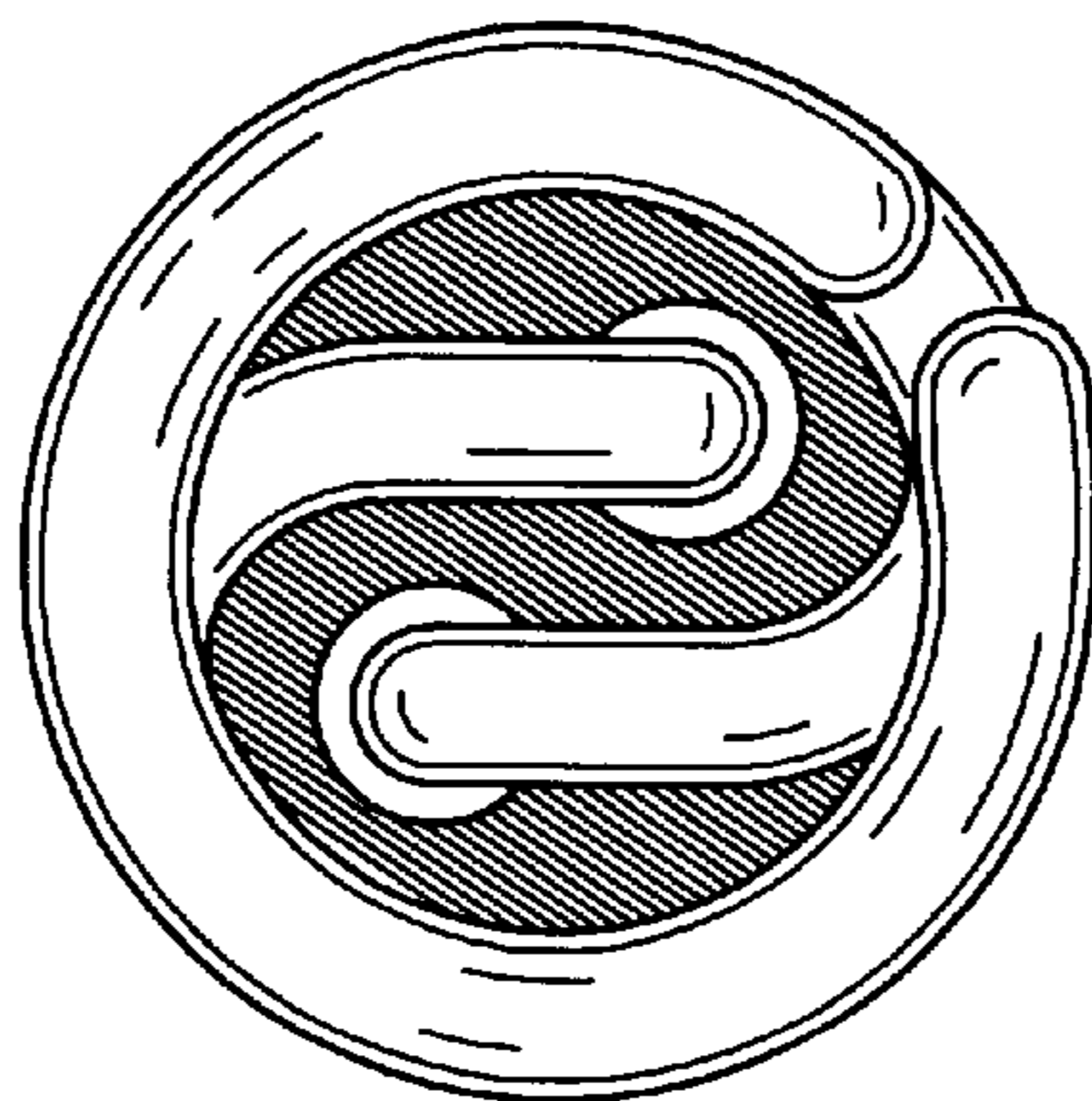


FIG. 13