



US00D543643S

(12) **United States Design Patent**
Wilson

(10) **Patent No.:** **US D543,643 S**

(45) **Date of Patent:** **** May 29, 2007**

(54) **LANDSCAPING CONSTRUCTION BLOCK**

D526,067 S * 8/2006 Rainey D25/114

(76) Inventor: **Charles A. Wilson**, 323 N. Elm St.,
Little Rock, AR (US) 72205

* cited by examiner

Primary Examiner—Louis S. Zarfes

Assistant Examiner—Greg Andoll

(74) *Attorney, Agent, or Firm*—Stephen D. Carver

(**) Term: **14 Years**

(21) Appl. No.: **29/235,823**

(57) **CLAIM**

(22) Filed: **Aug. 8, 2005**

The ornamental design for a landscaping construction block,
as shown and described.

(51) **LOC (8) Cl.** **25-01**

(52) **U.S. Cl.** **D25/114**

(58) **Field of Classification Search** D25/112–115,
D25/118; D21/484–485, 489–490, 499–502;
405/15–16, 33, 35, 284–286; 404/29–30,
404/34, 37, 42; 52/503–504, 575, 596–599,
52/603–612

DESCRIPTION

See application file for complete search history.

FIG. 1 is a rear isometric view of my new landscaping
construction block;

FIG. 2 is a rear bottom isometric view thereof;

FIG. 3 is a frontal bottom isometric view thereof;

FIG. 4 is a bottom isometric view thereof;

FIG. 5 is a rear elevational view thereof;

FIG. 6 is a right side elevational view thereof;

FIG. 7 is a left side elevational view thereof;

FIG. 8 is a top plan view thereof;

FIG. 9 is a bottom plan view thereof; and,

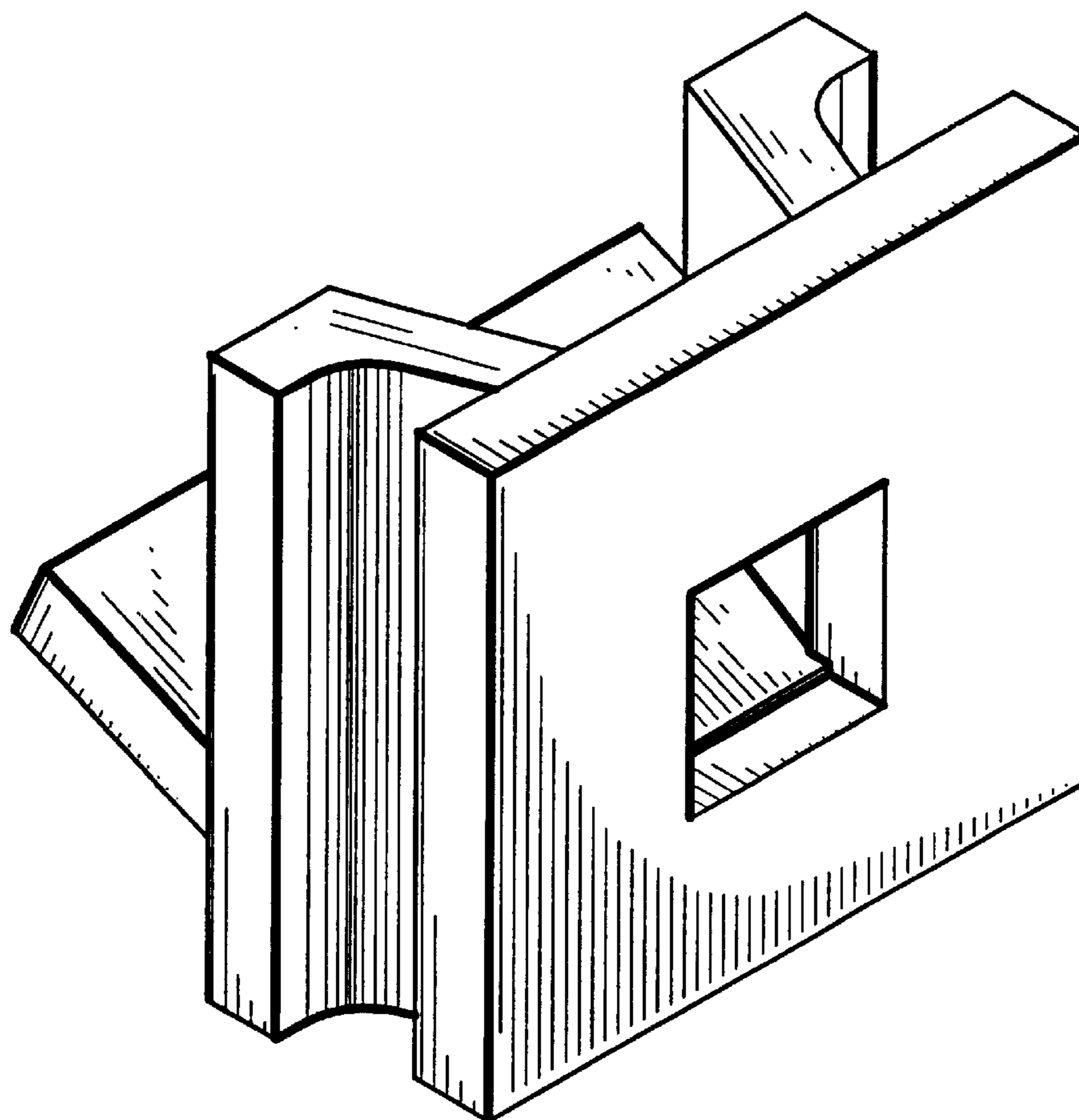
FIG. 10 is a front plan view thereof.

(56) **References Cited**

U.S. PATENT DOCUMENTS

3,379,017 A * 4/1968 Kusatake 405/31
3,953,979 A * 5/1976 Kurose 405/286
D300,863 S * 4/1989 McNeely D25/113

1 Claim, 10 Drawing Sheets



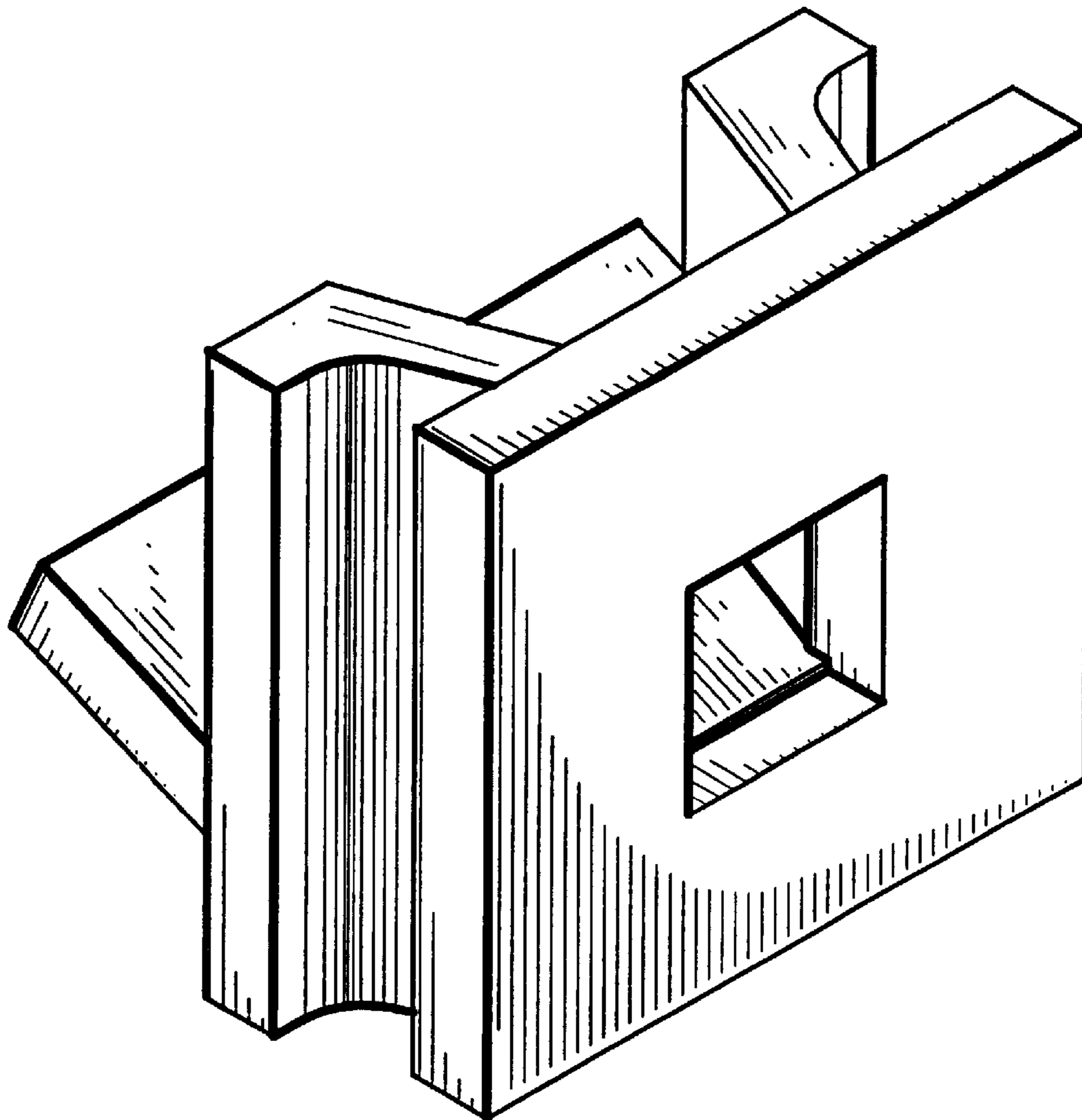


Fig. 1

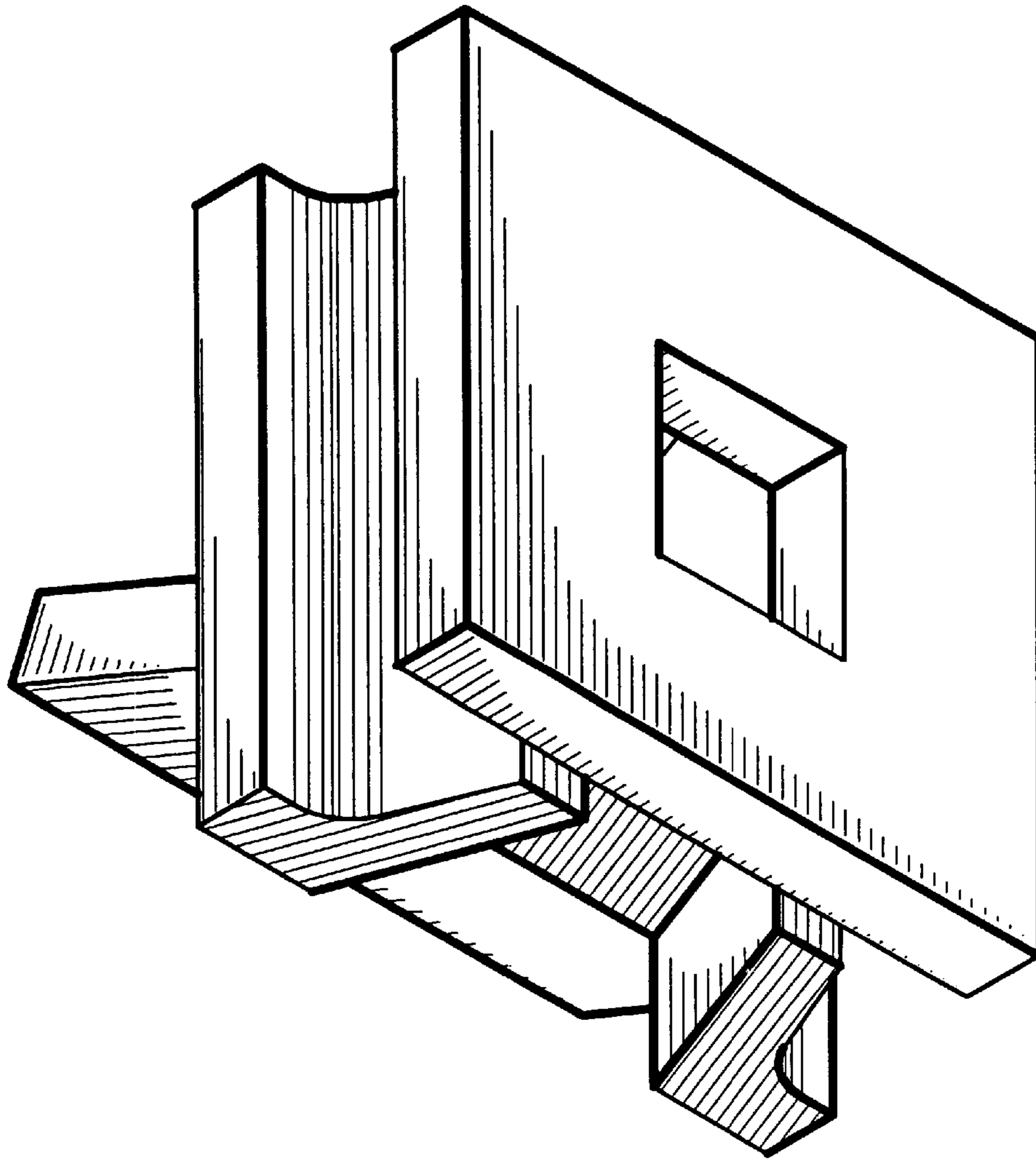


Fig. 2

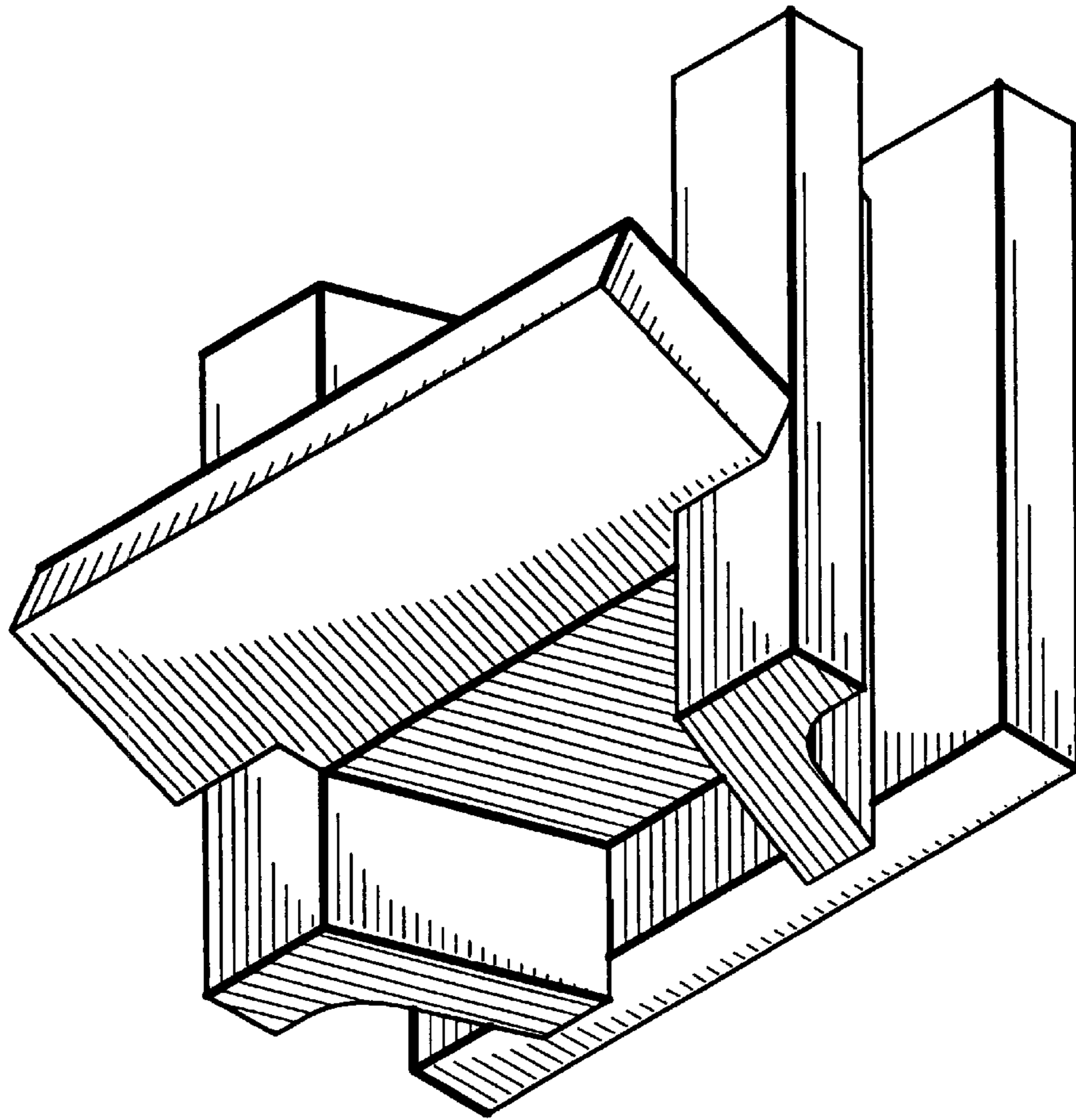


Fig. 3

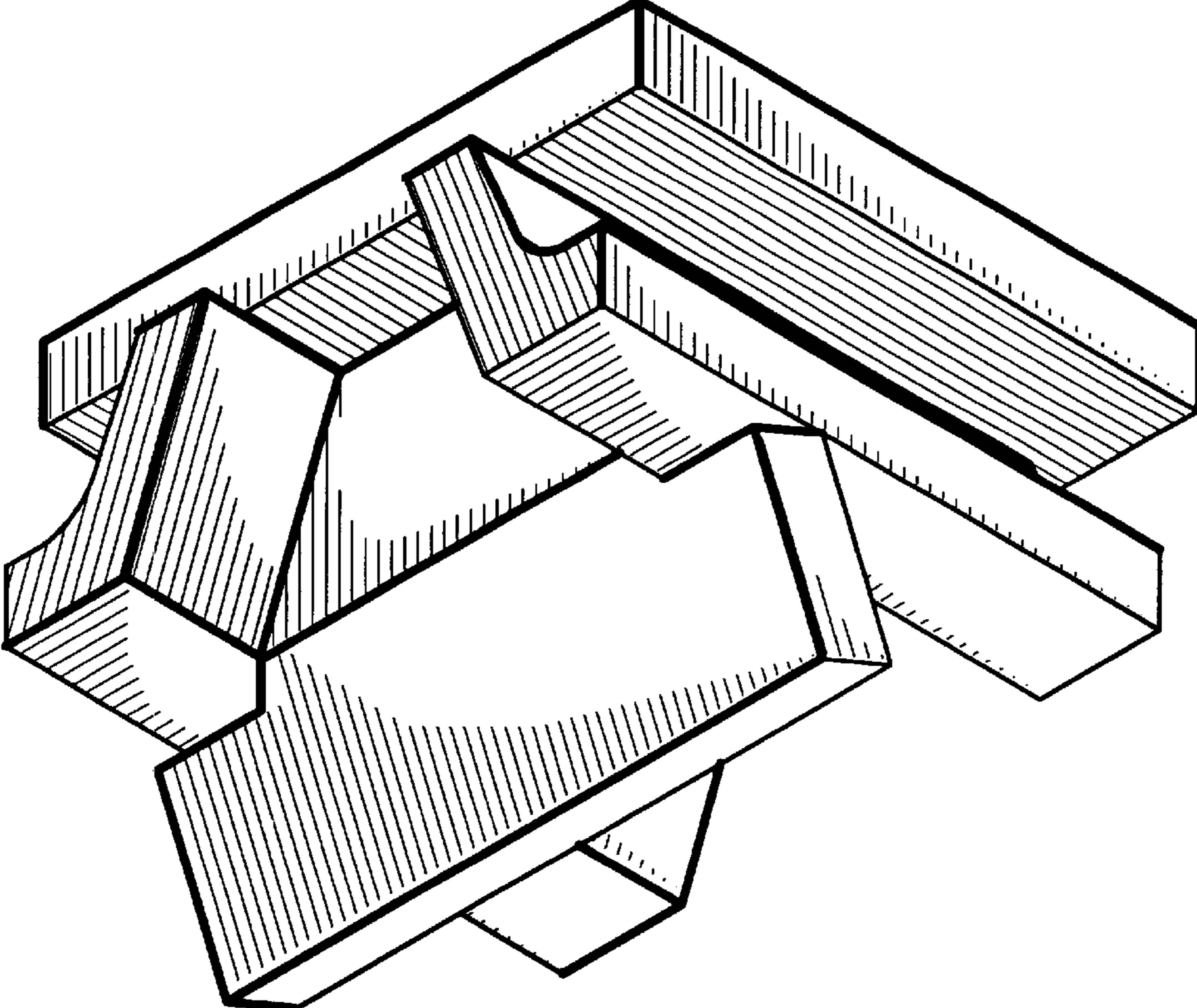


Fig. 4

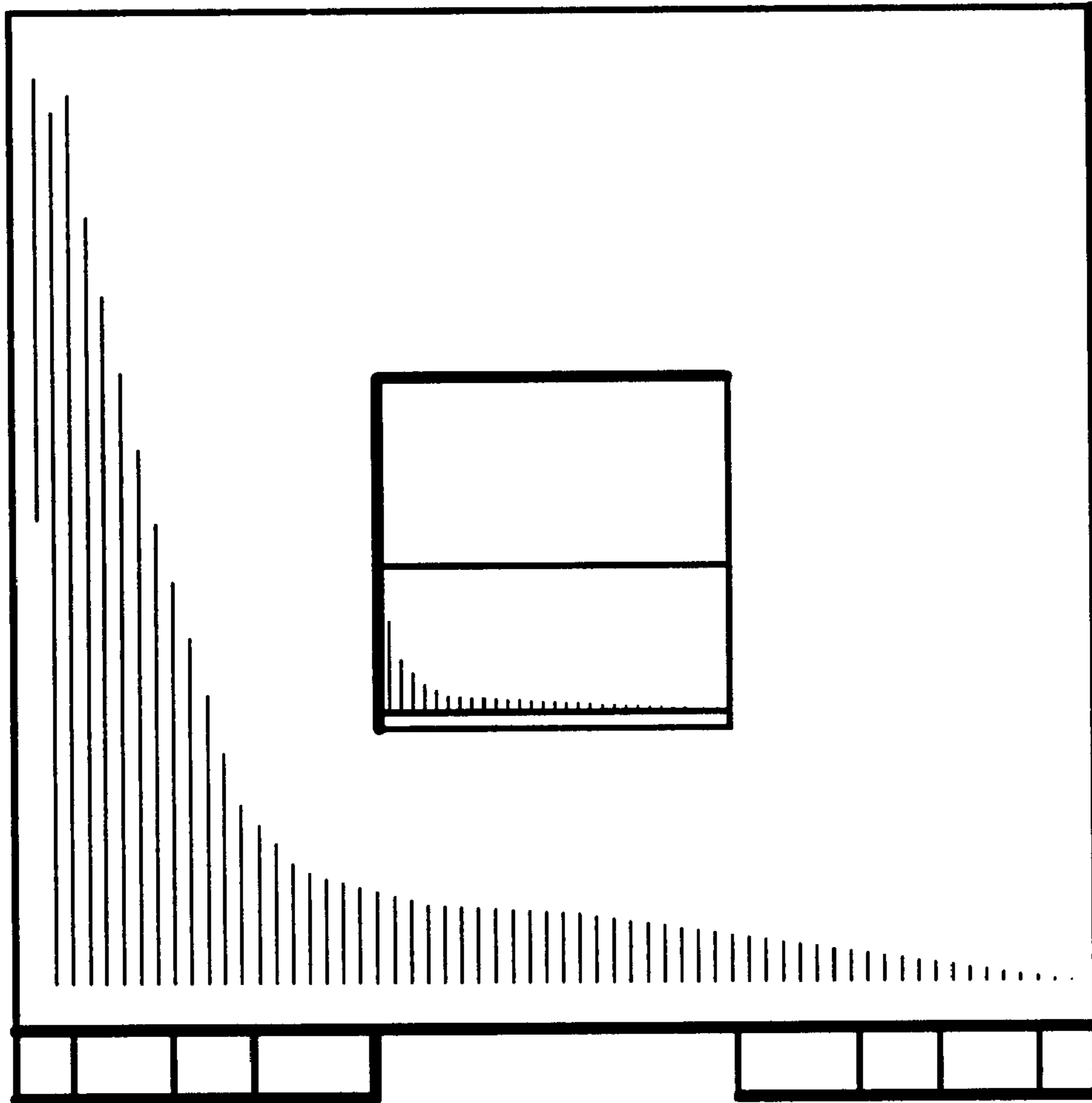


Fig. 5

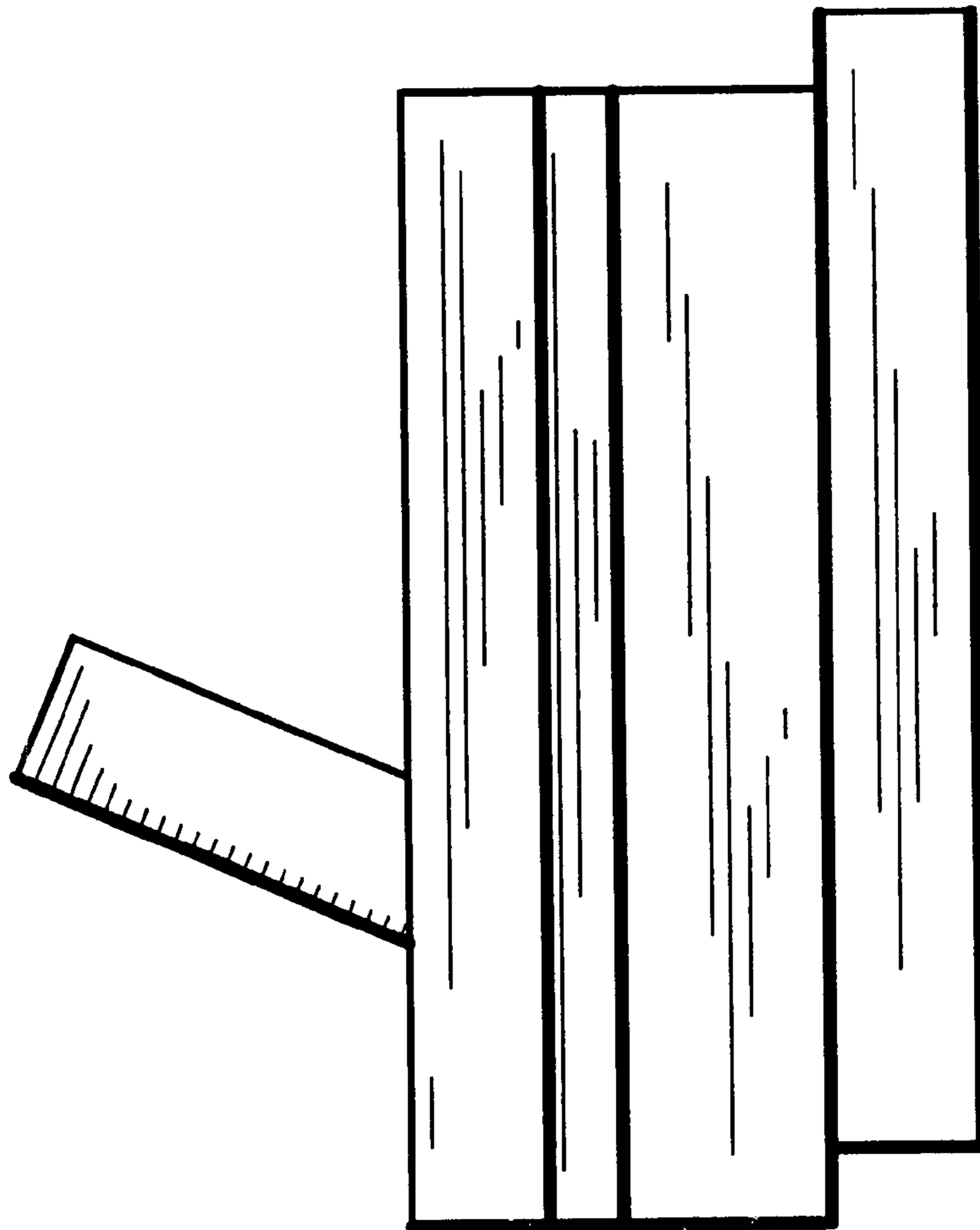


Fig. 6

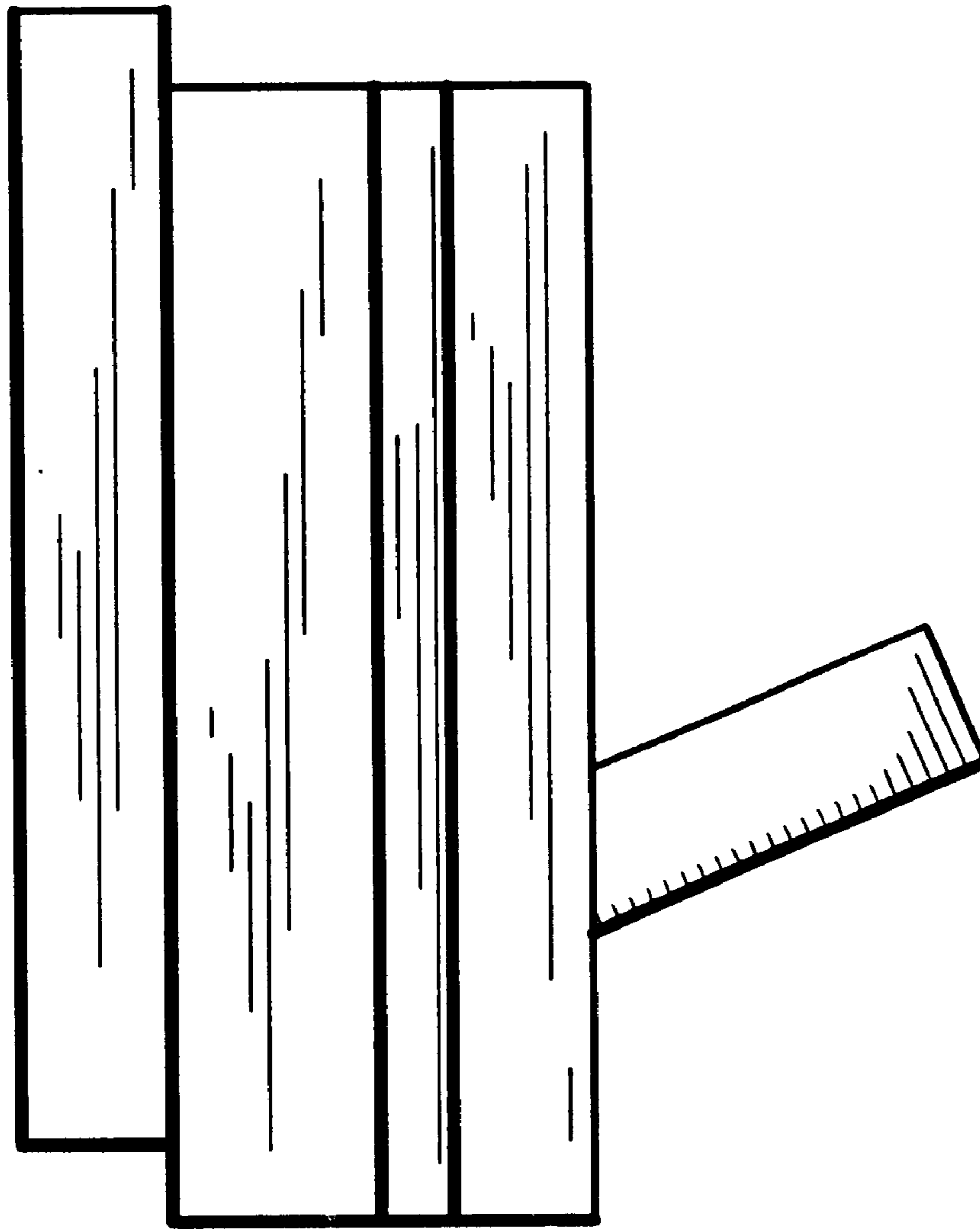


Fig. 7

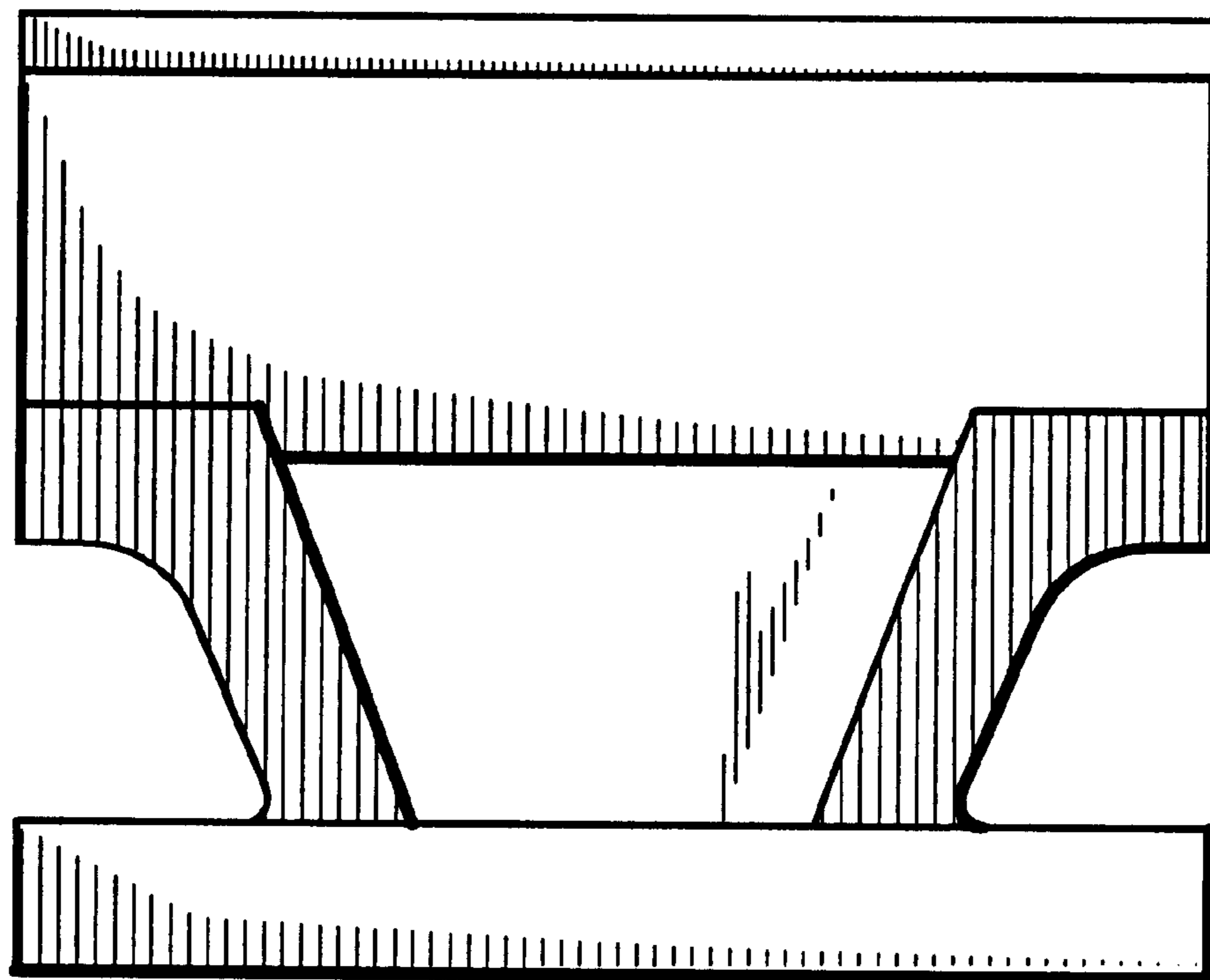


Fig. 8

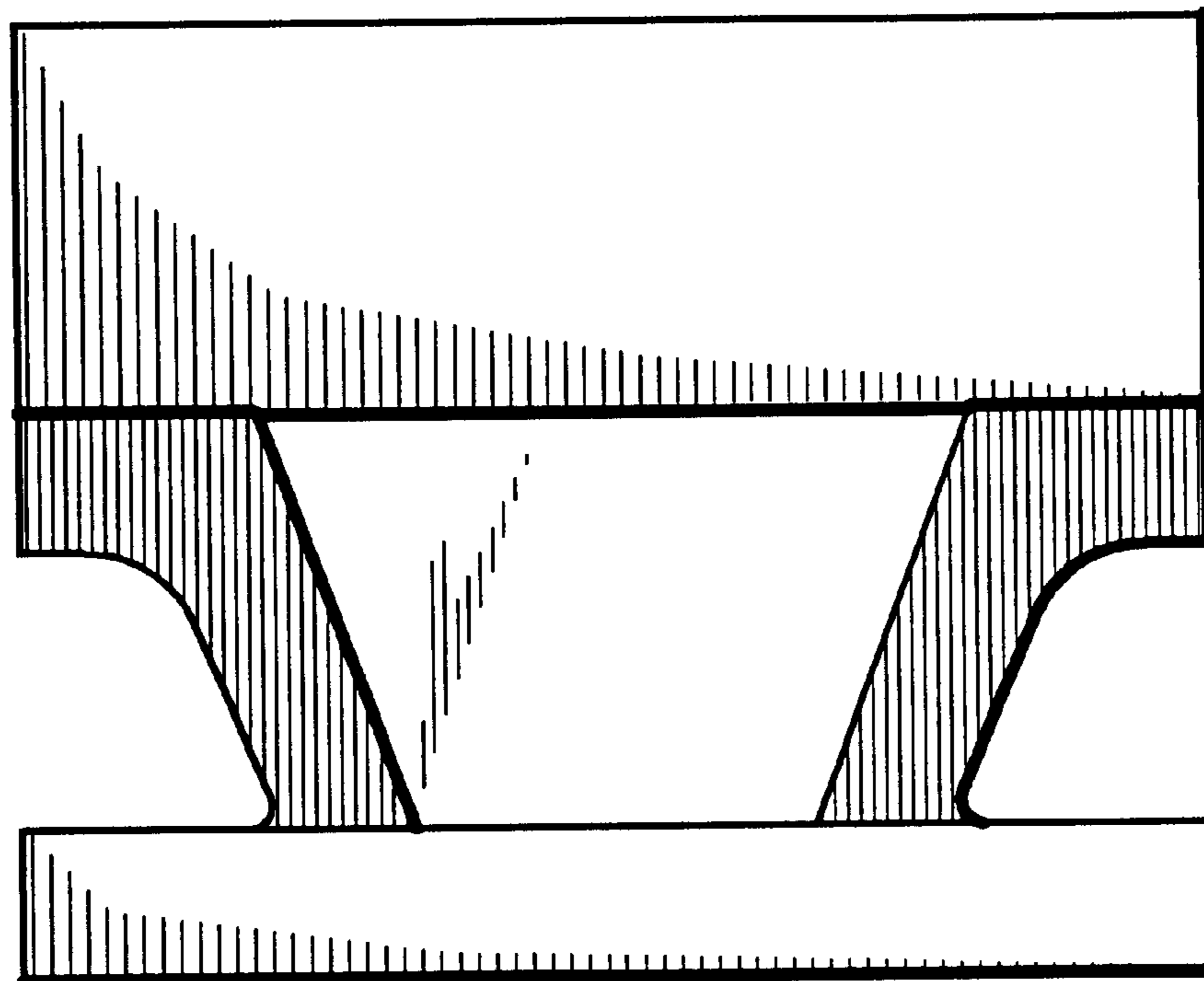


Fig. 9

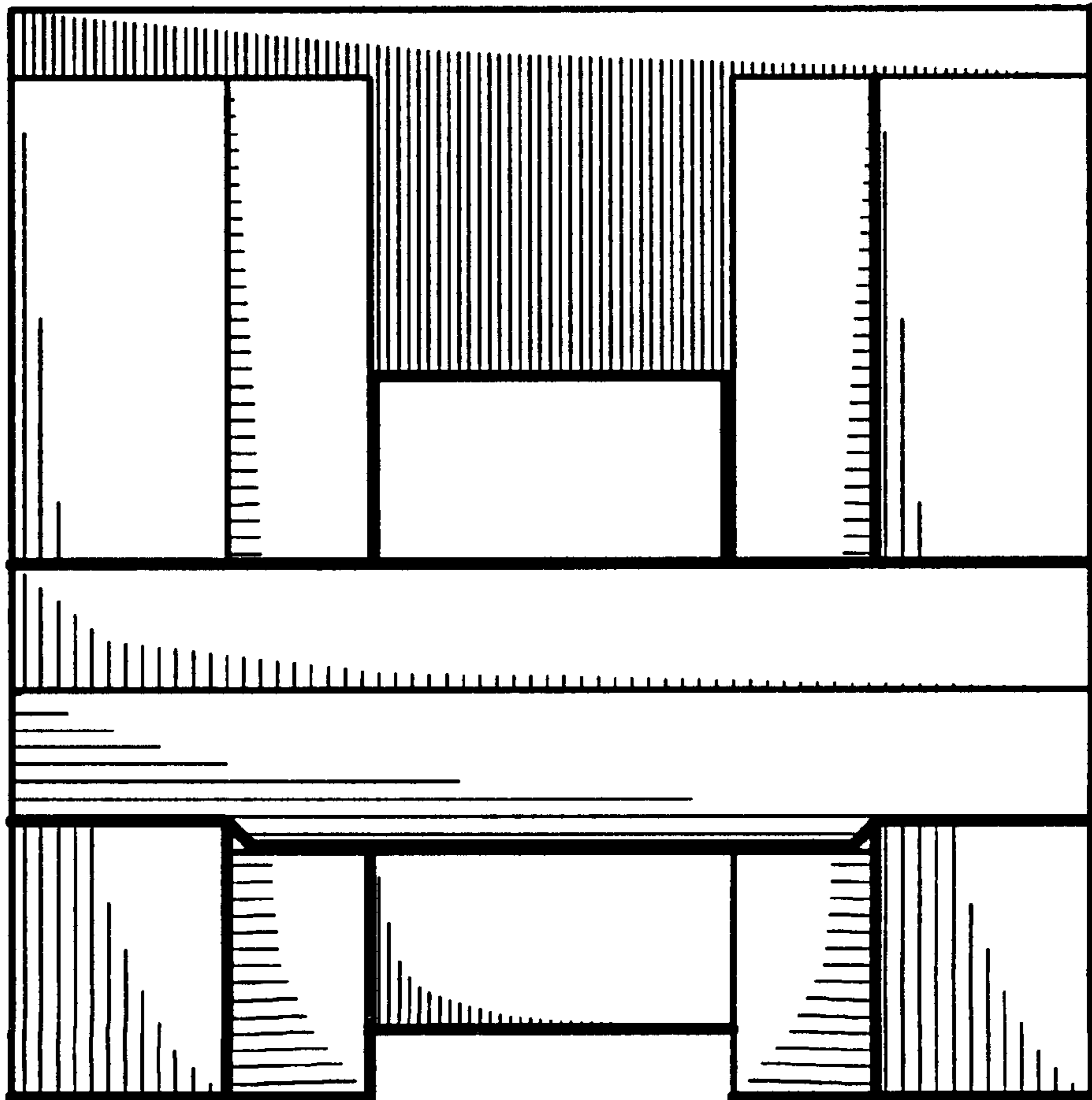


Fig. 10