



US00D543634S

(12) **United States Design Patent** (10) **Patent No.:** **US D543,634 S**
Lundstrom (45) **Date of Patent:** **** May 29, 2007**

(54) **MORTAR FOR USE WITH A PESTLE OR SIMILAR ARTICLE**

(76) Inventor: **Magnus Lundstrom**, 180 Varick St., Suite 936, New York, NY (US) 10014

(**) Term: **14 Years**

(21) Appl. No.: **29/223,854**

(22) Filed: **Feb. 18, 2005**

(51) **LOC (8) Cl.** **24-02**

(52) **U.S. Cl.** **D24/220**

(58) **Field of Classification Search** D24/216-231; D7/372, 679, 682; 241/169.2, 199

See application file for complete search history.

(56) **References Cited**

U.S. PATENT DOCUMENTS

365,021	A	*	6/1887	Purdy	241/199
507,410	A	*	10/1893	Brashear	241/199
D50,471	S	*	3/1917	Grier	D24/220
D52,957	S	*	2/1919	Hurritt	D24/220
D231,923	S	*	6/1974	Johnsrud	D24/220
4,121,775	A	*	10/1978	Roseberg et al.	241/169.2
4,967,971	A	*	11/1990	Smith	241/169.2
D490,160	S	*	5/2004	Sorensen	D24/220

OTHER PUBLICATIONS

Fisher Scientific, 93/94 Catalog, p. 1094 all Mortars and Pestles shown.*

* cited by examiner

Primary Examiner—Robert A. Delehanty

Assistant Examiner—Mark Cavanna

(74) *Attorney, Agent, or Firm*—Knight Law Services; Lisa M. Knight, Esq.

(57) **CLAIM**

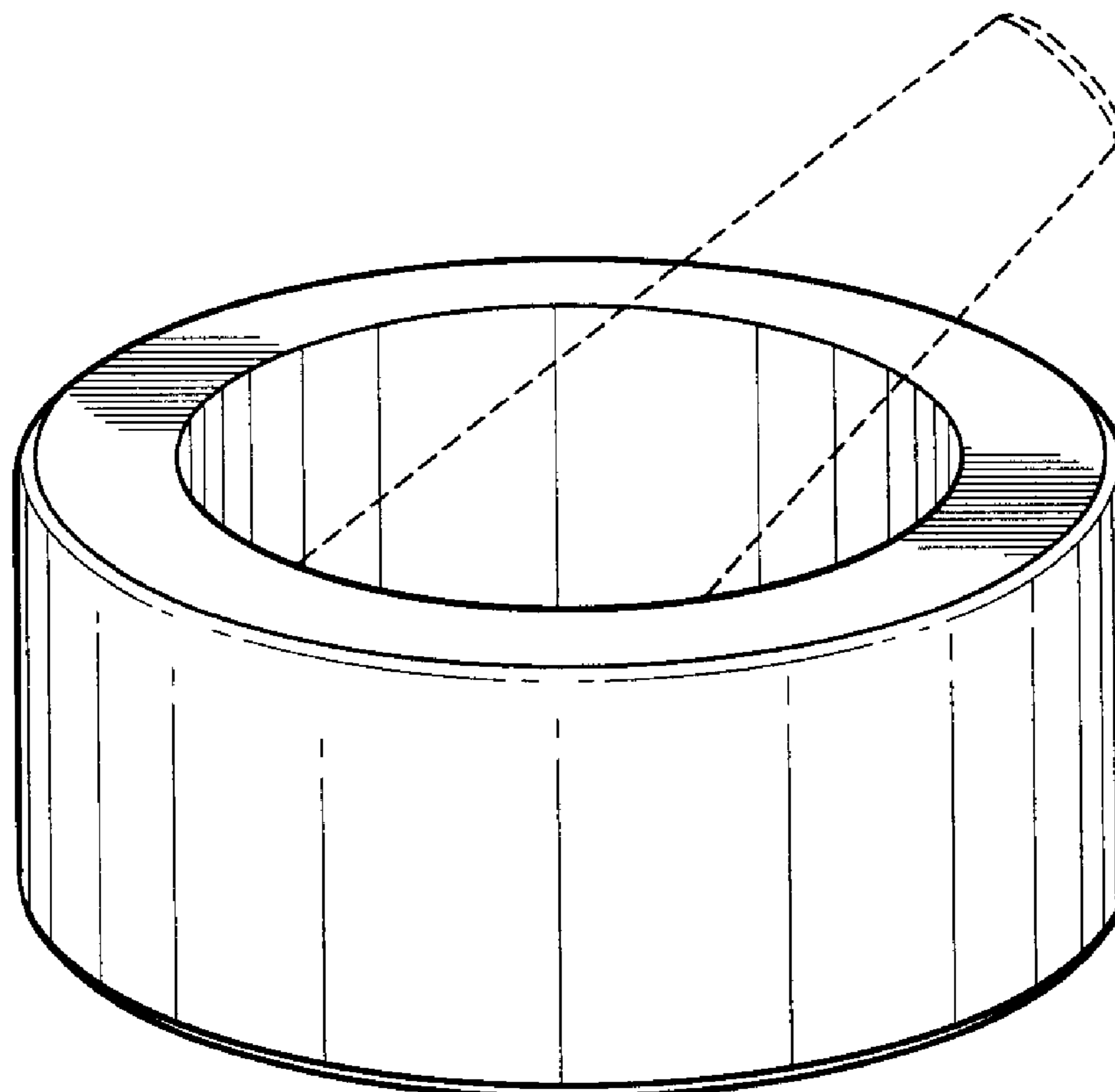
The ornamental design for a mortar for use with a pestle or similar article, as shown and described.

DESCRIPTION

FIG. 1 is a perspective view of a mortar for use with a pestle or similar article showing my new design; FIG. 2 is a side view thereof; FIG. 3 is a top view thereof; FIG. 4 is a bottom view thereof; and, FIG. 5 is a sectional view thereof taken along line "5.5" of FIG. 3.

The pestle, which is shown in broken lines, represents environmental matter and is shown for illustration purposes only and therefore forms no part of the claimed design.

1 Claim, 2 Drawing Sheets



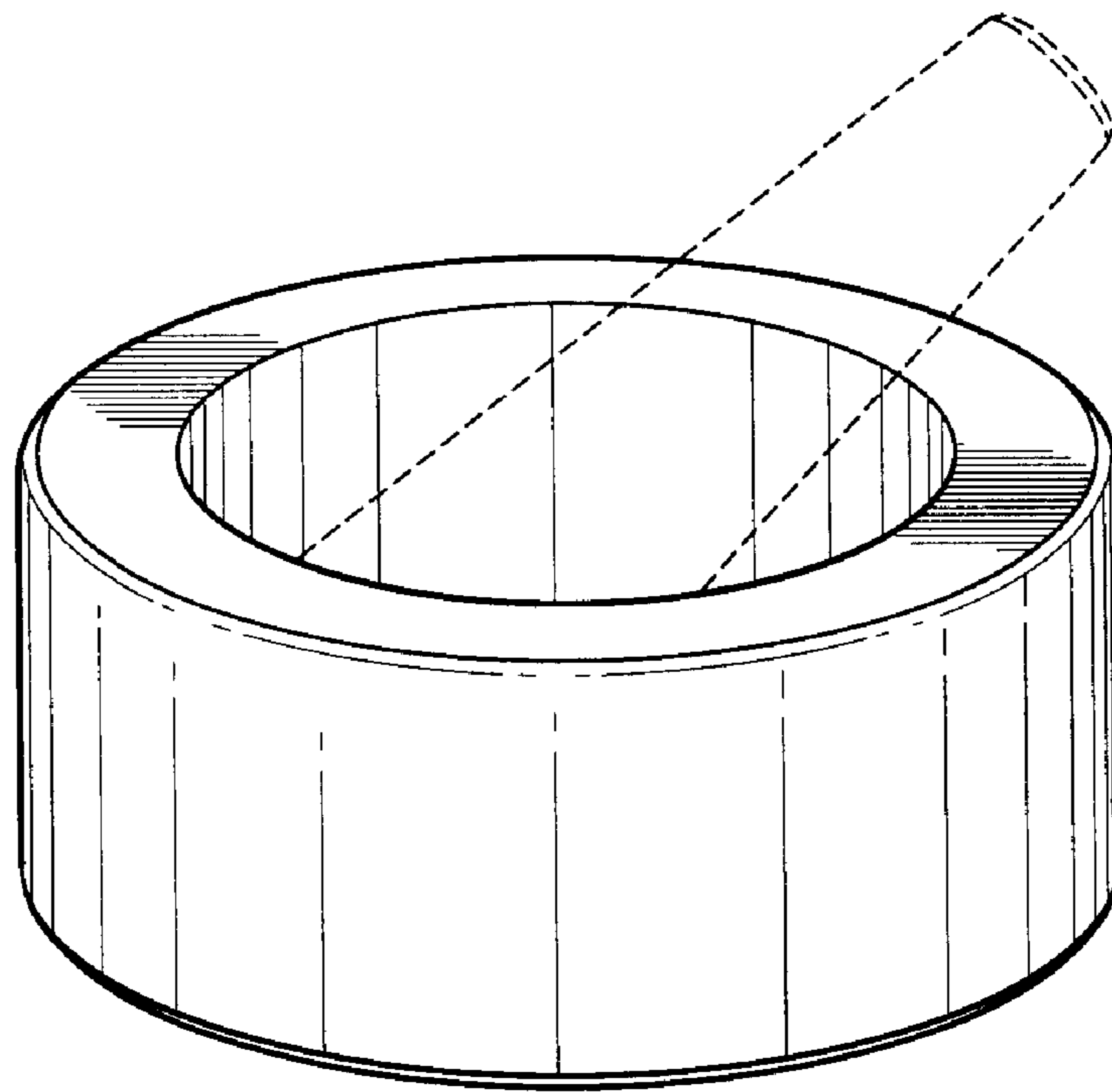


FIG. 1

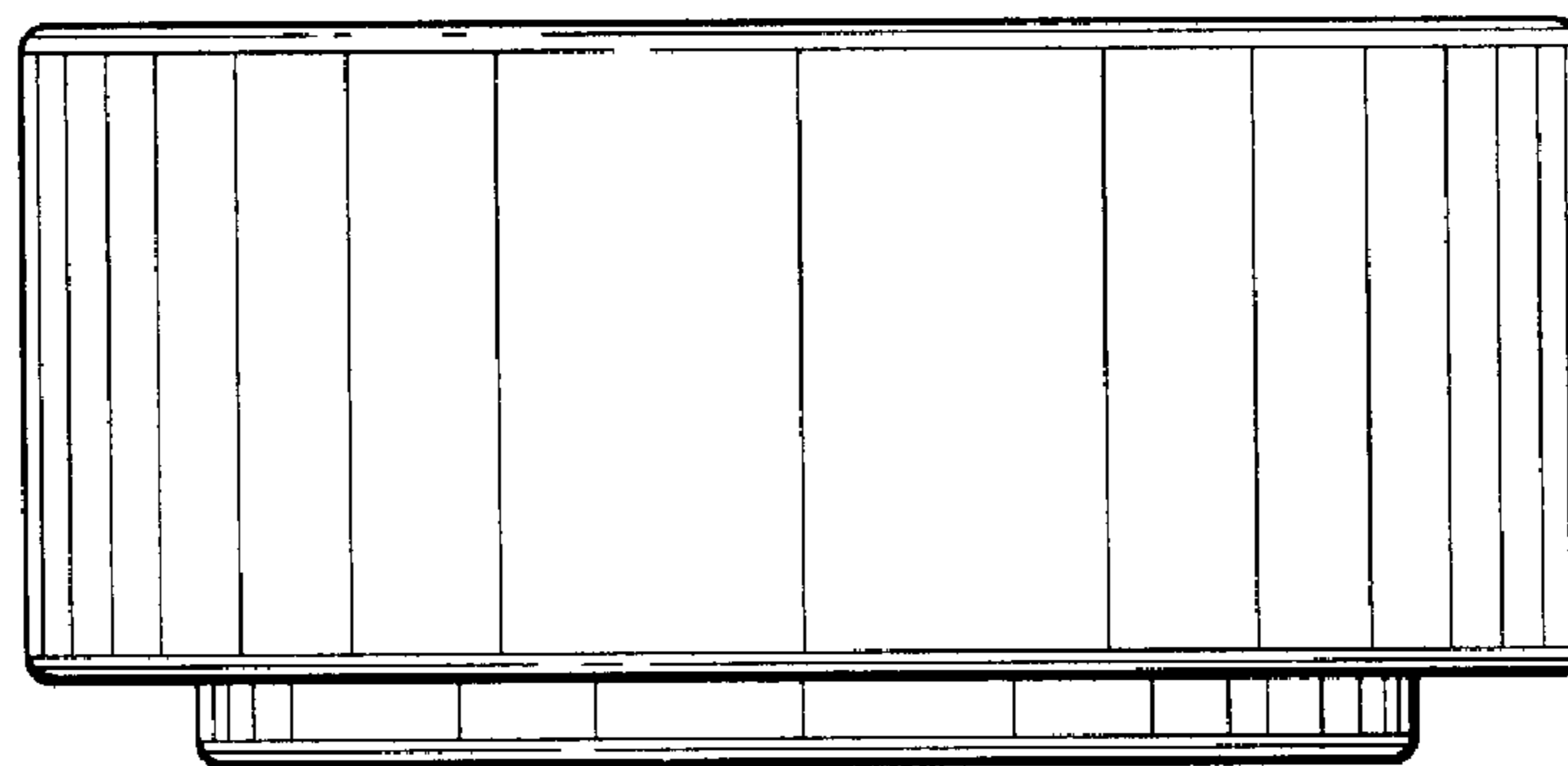


FIG. 2

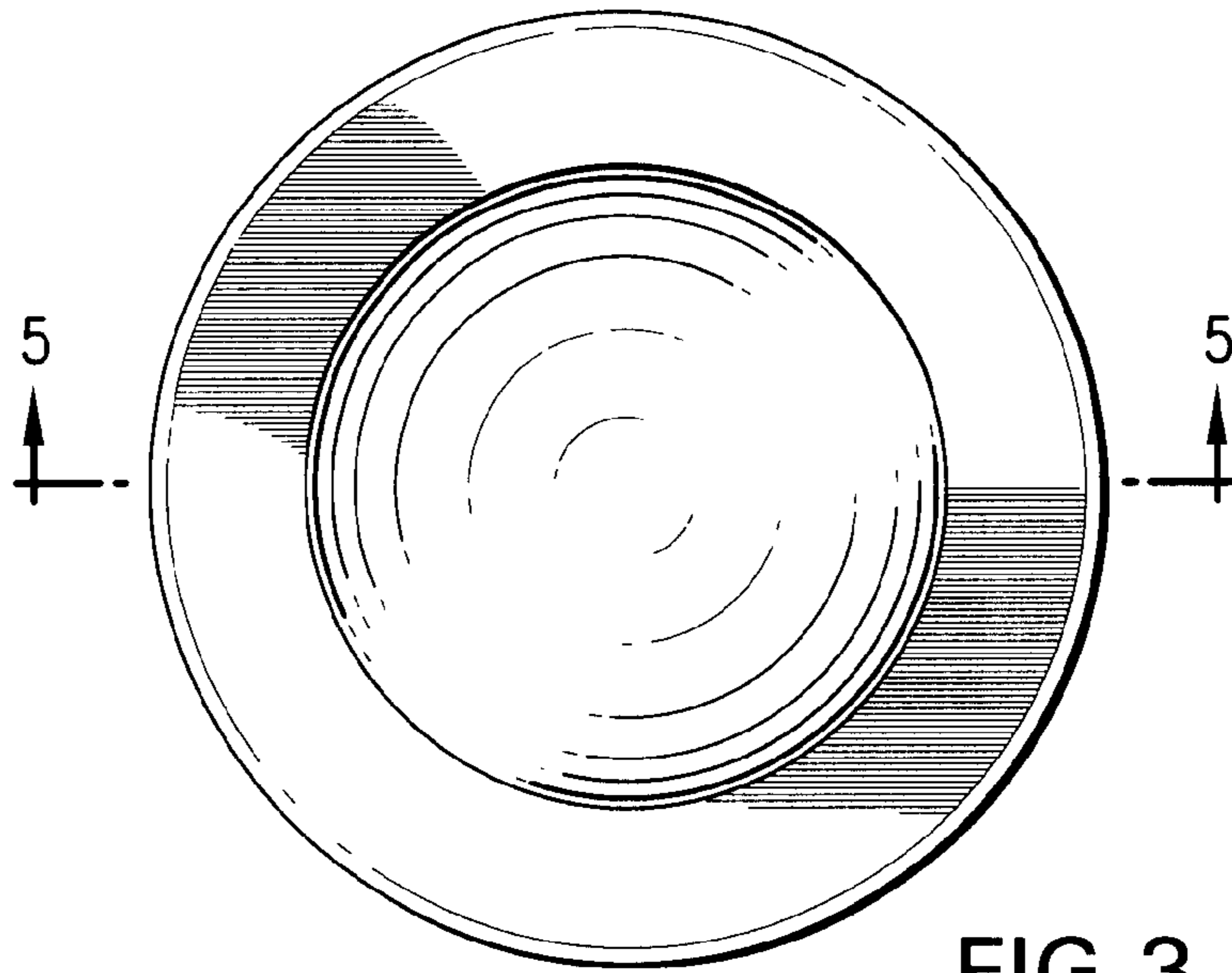


FIG. 3

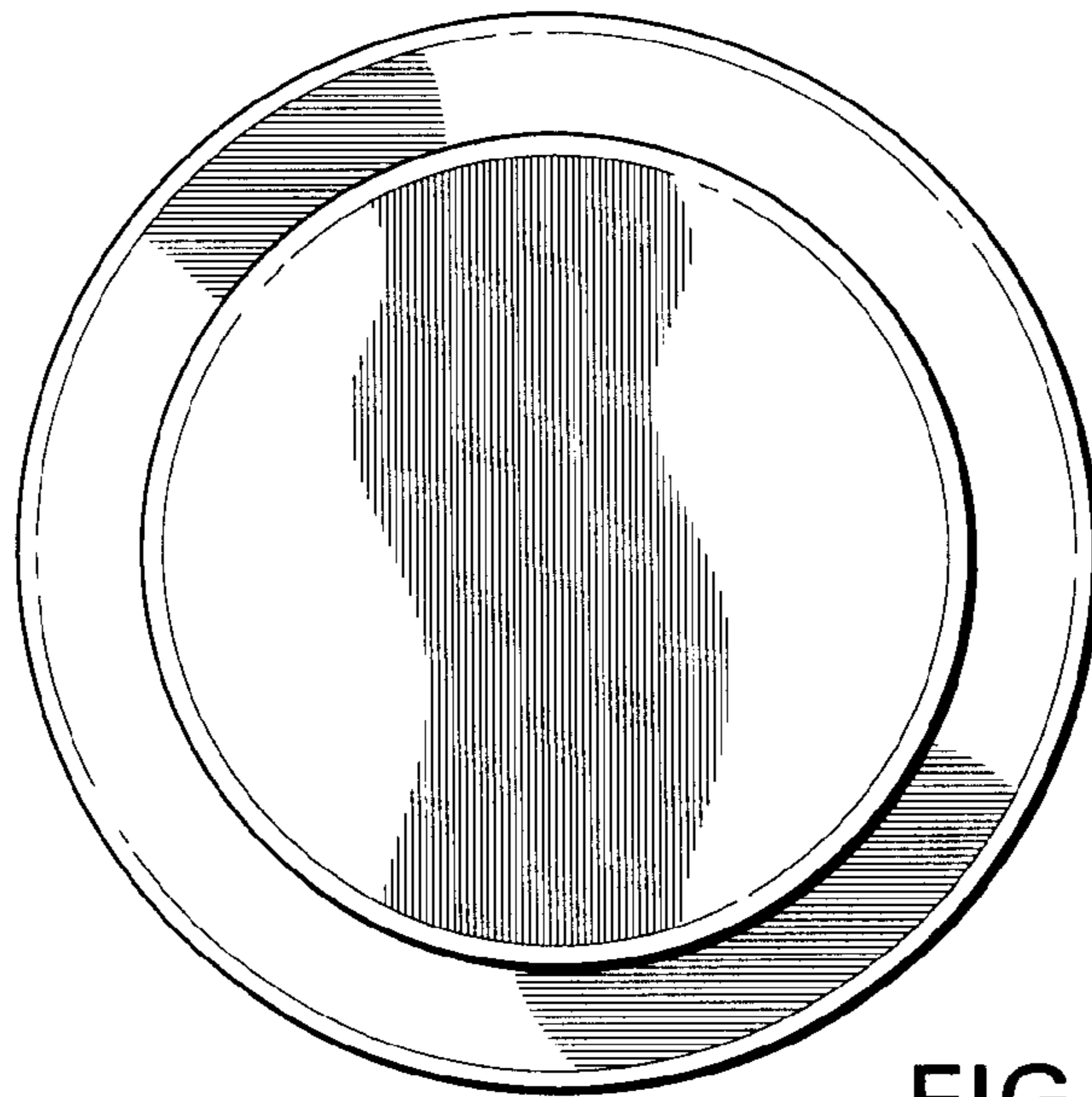


FIG. 4

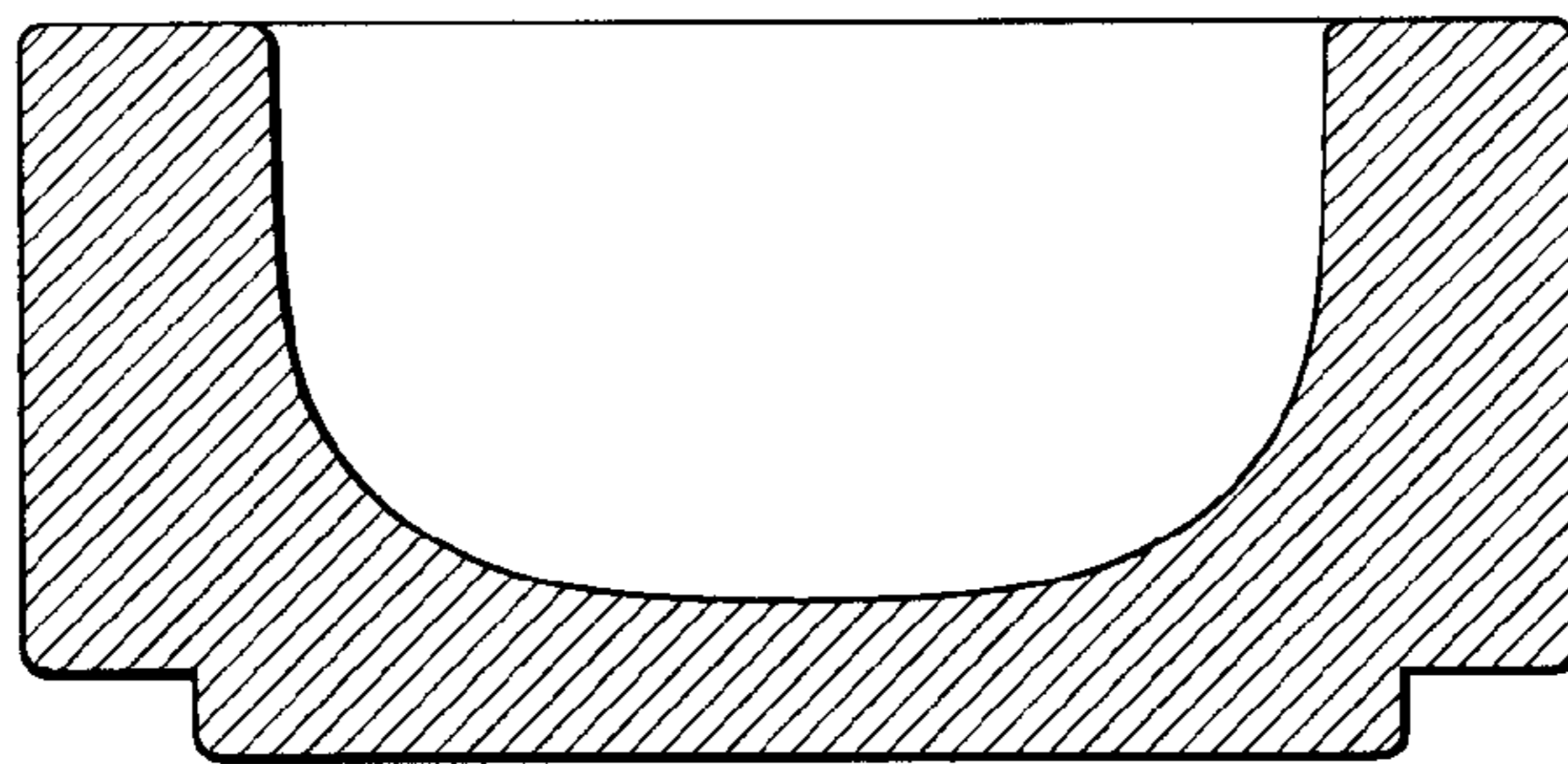


FIG. 5