

US00D543631S

(12) **United States Design Patent**
Cullen et al.

(10) **Patent No.:** **US D543,631 S**

(45) **Date of Patent:** **** May 29, 2007**

(54) **LEAD EXTENSION ADAPTER WITH INTEGRAL STRAIN RELIEF**

(75) Inventors: **Patrick M. Cullen**, Dallas, TX (US);
Robert E. Jones, McKinney, TX (US);
Terry D. Daglow, Allen, TX (US)

(73) Assignee: **Advanced Neuromodulation Systems, Inc.**, Plano, TX (US)

(**) Term: **14 Years**

(21) Appl. No.: **29/235,849**

(22) Filed: **Aug. 8, 2005**

(51) **LOC (8) Cl.** **24-03**

(52) **U.S. Cl.** **D24/167; D24/155**

(58) **Field of Classification Search** D24/144,
D24/133, 146, 155, 167, 130, 147, 113; 607/39,
607/40, 41, 46, 28

See application file for complete search history.

(56) **References Cited**

U.S. PATENT DOCUMENTS

D523,557 S	*	6/2006	Jones et al.	D24/155
2005/0245987 A1	*	11/2005	Woods et al.	607/46
2006/0190046 A9	*	8/2006	Gerber	607/39

* cited by examiner

Primary Examiner—Ian Simmons

Assistant Examiner—Christopher Lee

(74) *Attorney, Agent, or Firm*—Peter R. Lando; Christopher S. L. Crawford

(57) **CLAIM**

The ornamental design for a lead extension adapter with integral strain relief, as shown and described.

DESCRIPTION

FIG. 1 shows an isometric view of a lead extension adapter with integral strain relief showing our new design;

FIG. 2 shows a first side elevation view of the lead extension adapter with integral strain relief of FIG. 1, it being appreciated that the opposite side thereof appears as a mirror image of the first side shown in FIG. 2;

FIG. 3 shows a front elevation view of the lead extension assembly with integral strain relief of FIG. 1, wherein said lead to be inserted into the lead extension adapter is inserted into the orifice shown in the front view of FIG. 3;

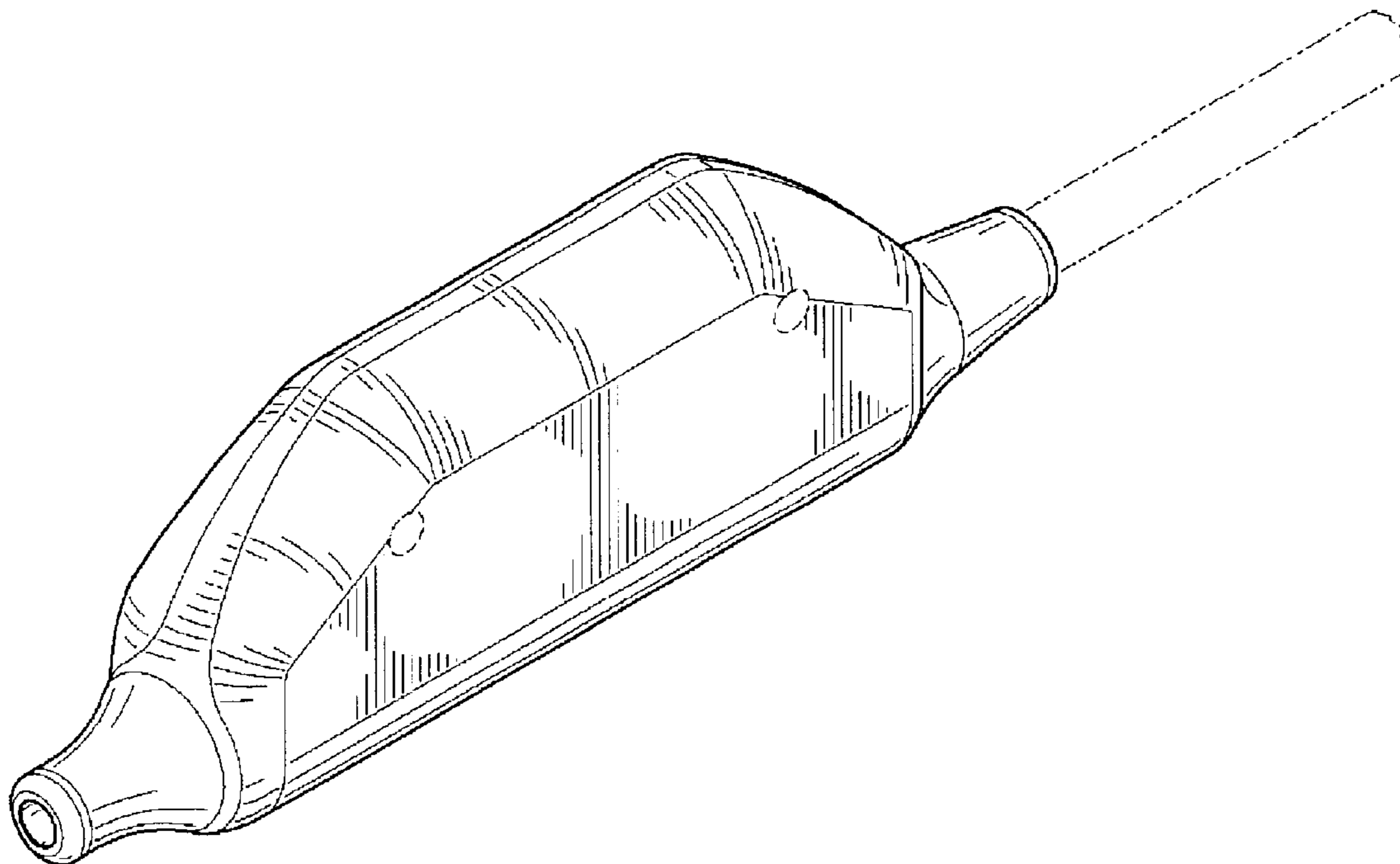
FIG. 4 shows a back elevation view of the lead extension adapter with integral strain relief of FIG. 1;

FIG. 5 shows a top plan view of the lead extension adapter with integral strain relief of FIG. 1; and,

FIG. 6 shows a bottom plan view of the lead extension adapter with integral strain relief of FIG. 1.

The broken line showing is for illustrative purposes only and forms no part of the claimed design.

1 Claim, 2 Drawing Sheets



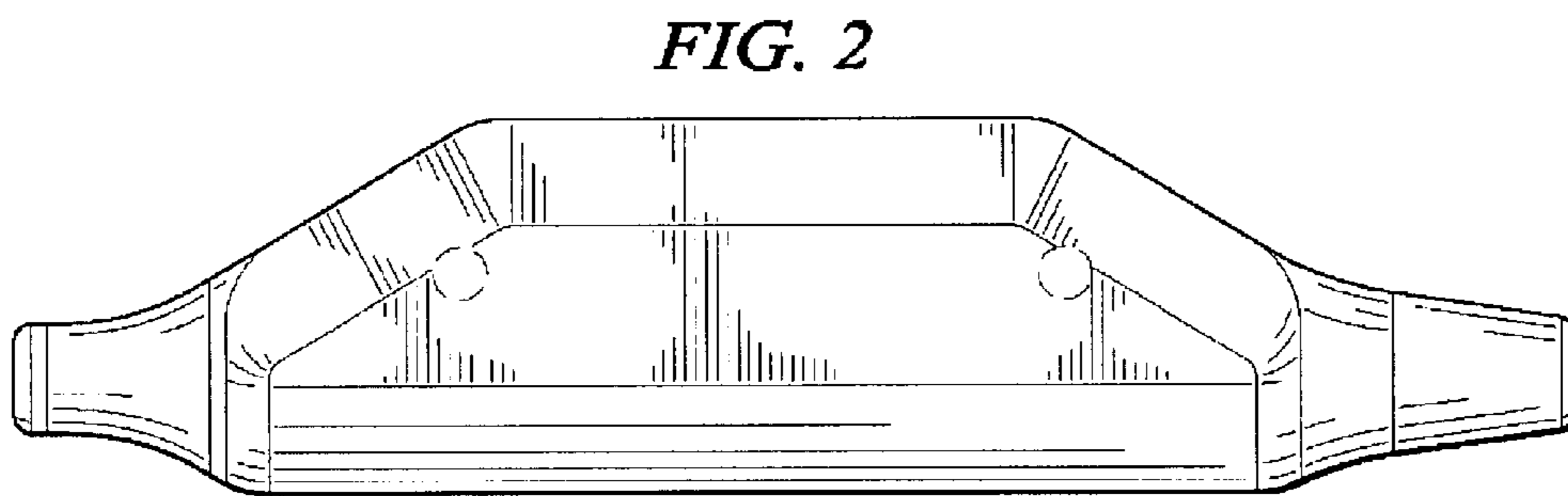
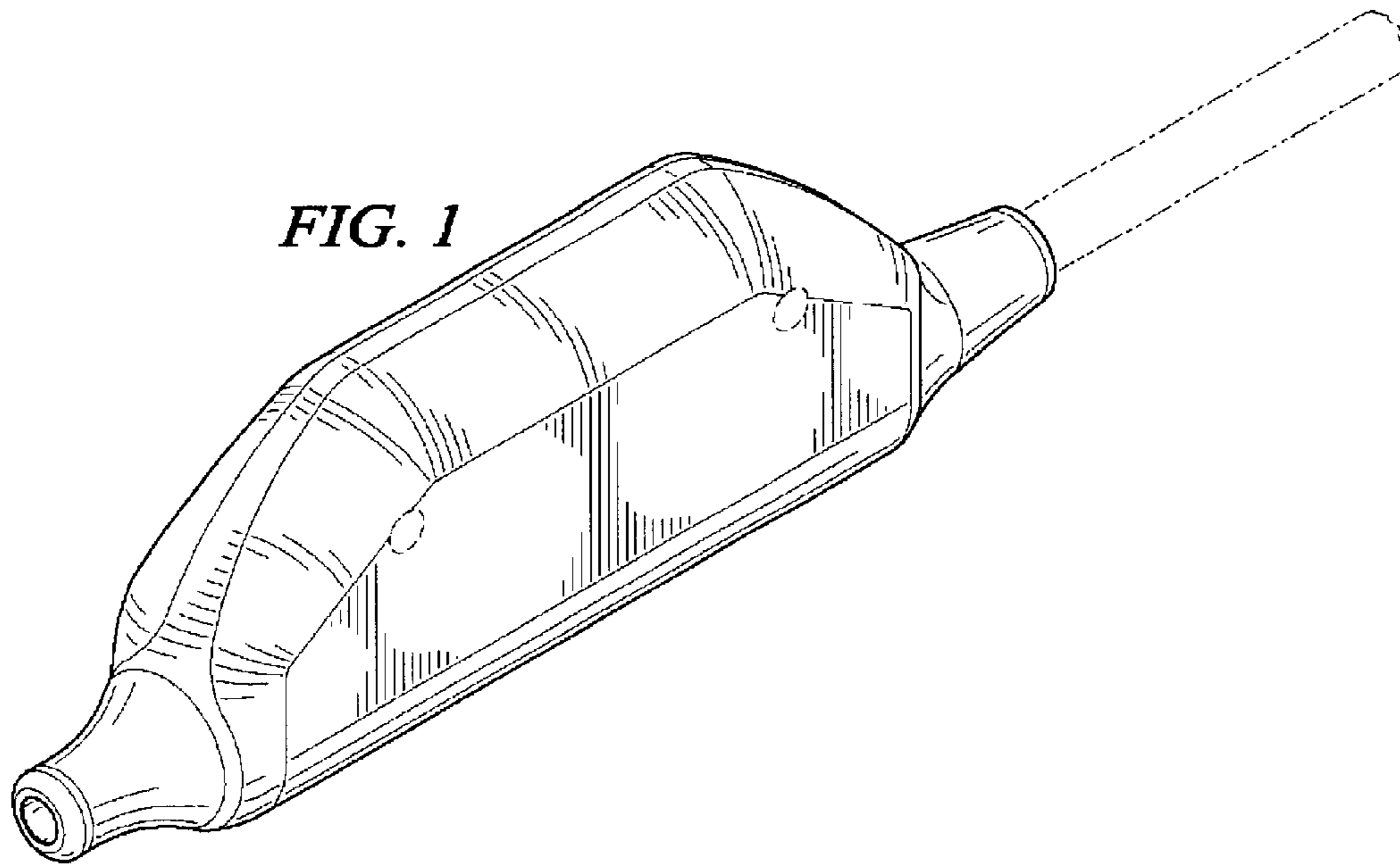


FIG. 3

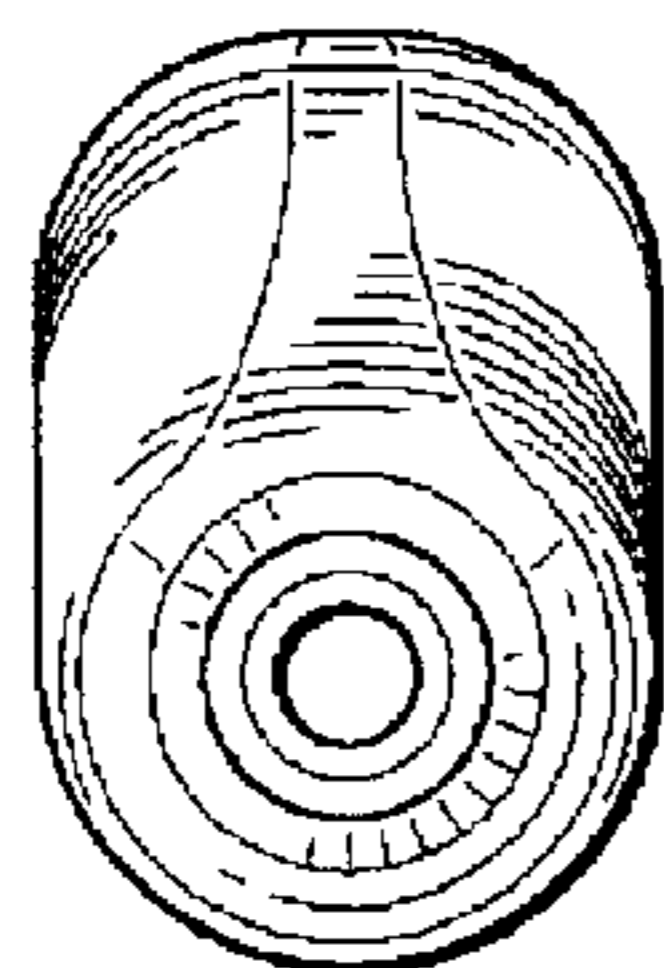


FIG. 4

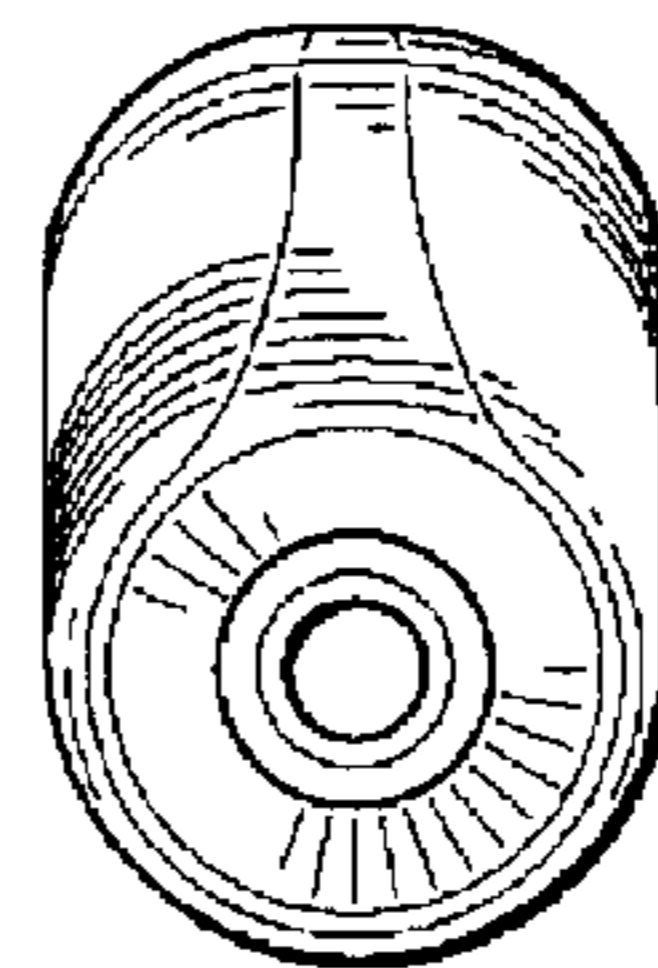


FIG. 5

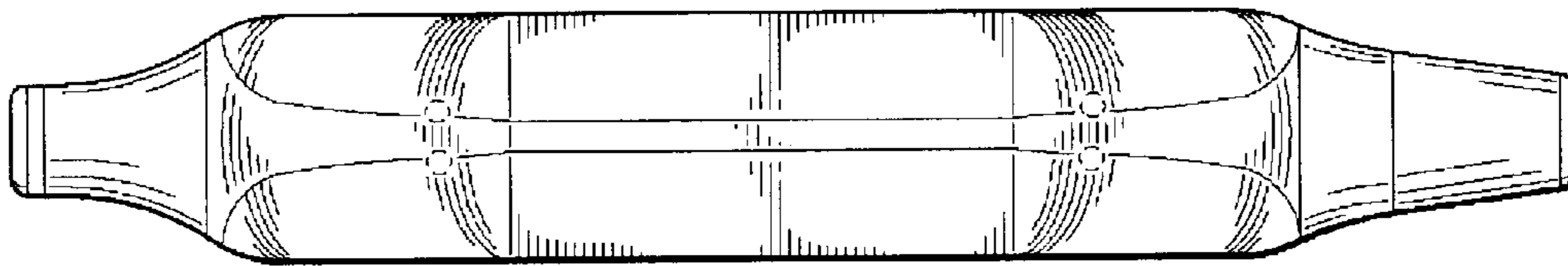


FIG. 6

