

US00D543630S

(12) **United States Design Patent**
Cullen et al.

(10) **Patent No.:** **US D543,630 S**

(45) **Date of Patent:** **** May 29, 2007**

(54) **STIMULATOR HEADER WITH INTEGRAL STRAIN RELIEF**

(75) Inventors: **Patrick M. Cullen**, Dallas, TX (US);
Robert E. Jones, McKinney, TX (US);
Terry D. Daglow, Allen, TX (US)

(73) Assignee: **Advanced Neuromodulation Systems, Inc.**, Plano, TX (US)

(**) Term: **14 Years**

(21) Appl. No.: **29/235,847**

(22) Filed: **Aug. 8, 2005**

(51) **LOC (8) Cl.** **24-03**

(52) **U.S. Cl.** **D24/167; D24/155**

(58) **Field of Classification Search** D24/144,
D24/155, 167; 607/4, 5, 9, 30, 32, 36, 37;
439/488

See application file for complete search history.

(56) **References Cited**

U.S. PATENT DOCUMENTS

5,871,515	A *	2/1999	Wiklund et al.	607/36
D523,557	S *	6/2006	Jones et al.	D24/155
7,096,068	B2 *	8/2006	Mass et al.	607/32
2005/0131481	A1 *	6/2005	Ries et al.	607/36
2006/0030204	A1 *	2/2006	Jones et al.	439/488

* cited by examiner

Primary Examiner—Ian Simmons

Assistant Examiner—Christopher Lee

(74) *Attorney, Agent, or Firm*—Peter R. Lando; Christopher S. L. Crawford

(57) **CLAIM**

The ornamental design for a stimulator header with integral strain relief, as shown and described.

DESCRIPTION

FIG. 1 shows an isometric view of a single lead stimulator header with integral strain relief for the lead according to an embodiment of the invention, wherein the fastener ports shown in phantom form no part of the claimed invention; FIG. 2 shows a first side elevation view of the single lead stimulator header with integral strain relief of FIG. 1; FIG. 3 shows a front elevation view of the single lead stimulator header with integral strain relief of FIG. 1; FIG. 4 shows a back elevation view of the single lead stimulator header with integral strain relief of FIG. 1; FIG. 5 shows a second side elevation view of the single lead stimulator header with integral strain relief of FIG. 1; FIG. 6 shows a top plan view of the single lead stimulator header with integral strain relief of FIG. 1; and, FIG. 7 shows a bottom plan view of the single lead stimulator header with integral strain relief of FIG. 1.

The broken line showing is for illustrative purposes only and forms no part of the claimed design.

1 Claim, 2 Drawing Sheets

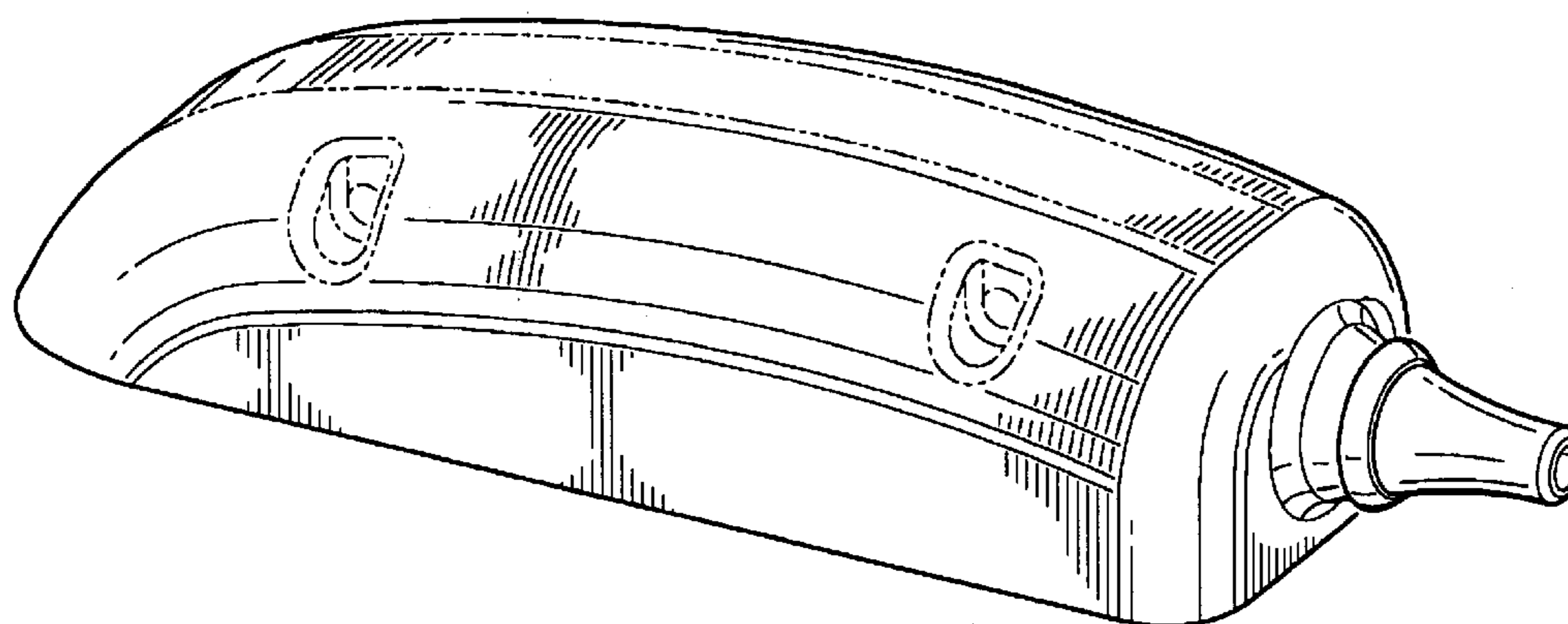


FIG. 1

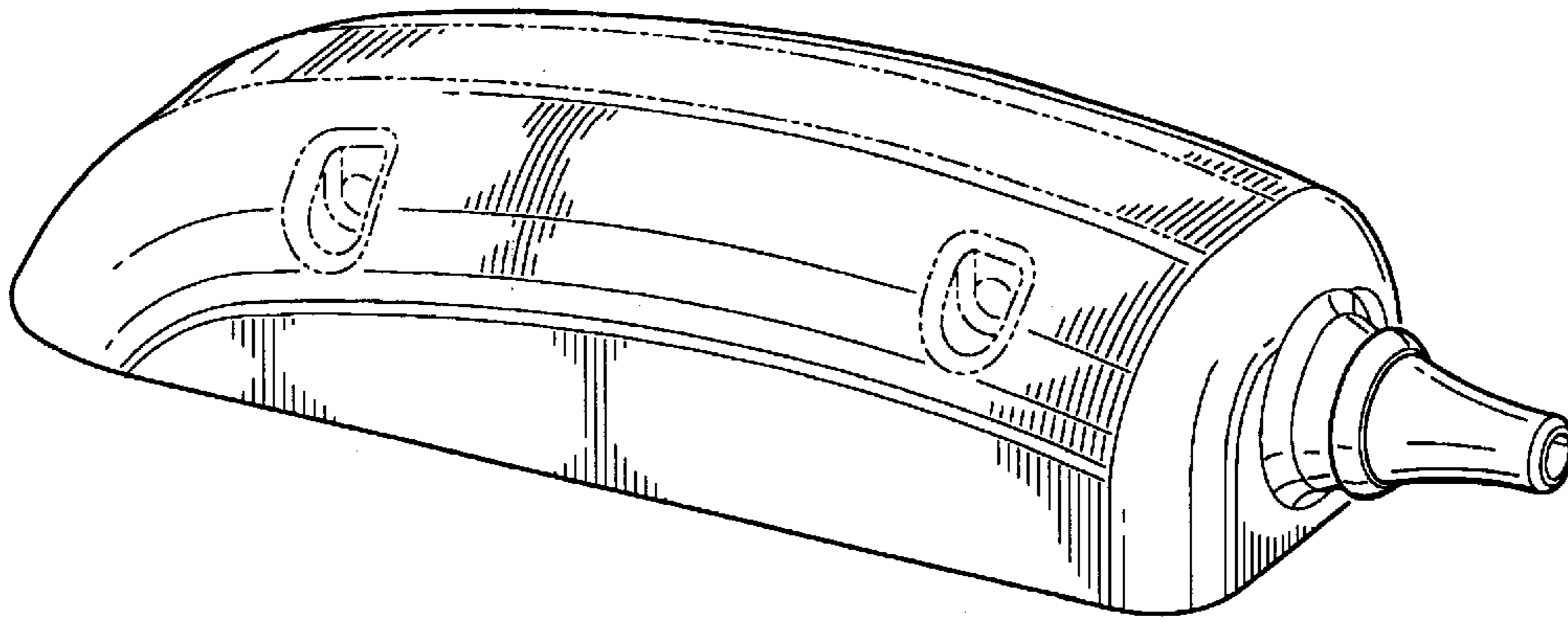


FIG. 2

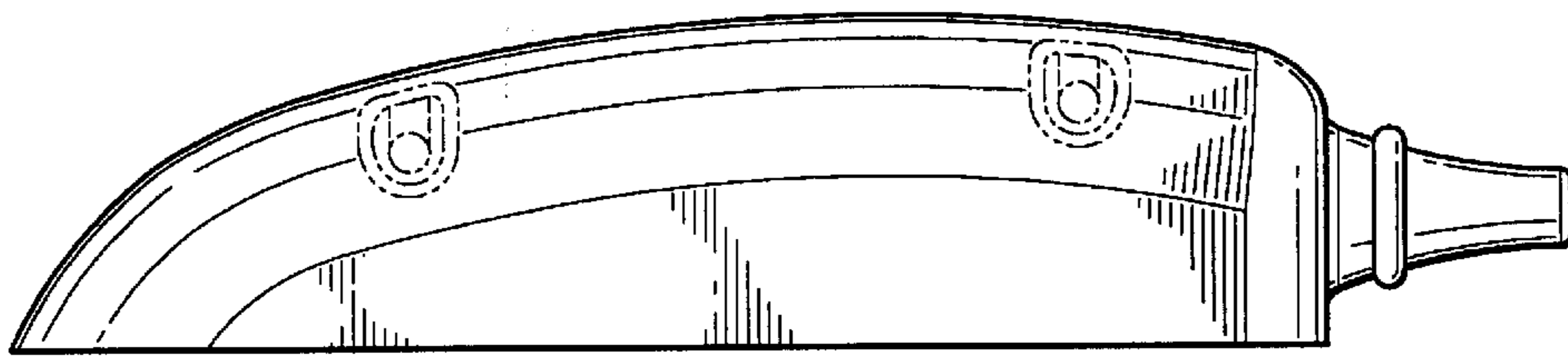


FIG. 3

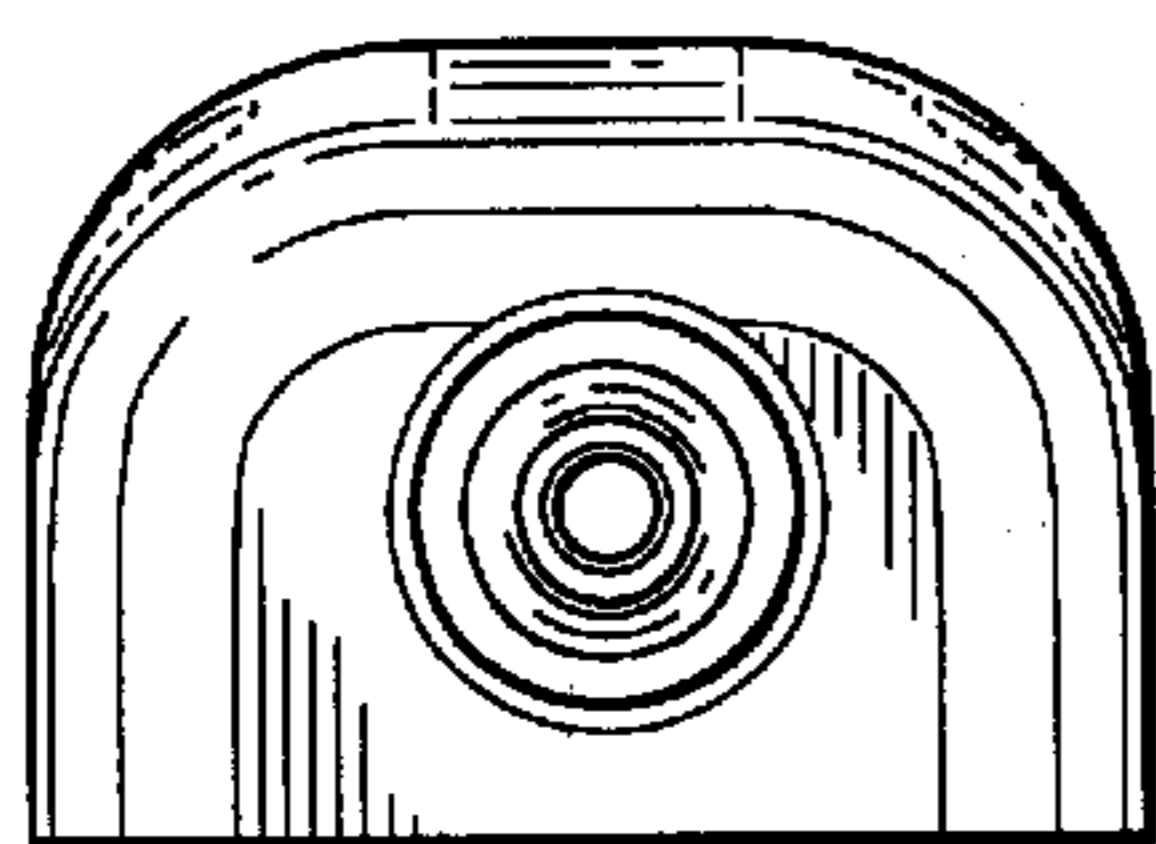


FIG. 4

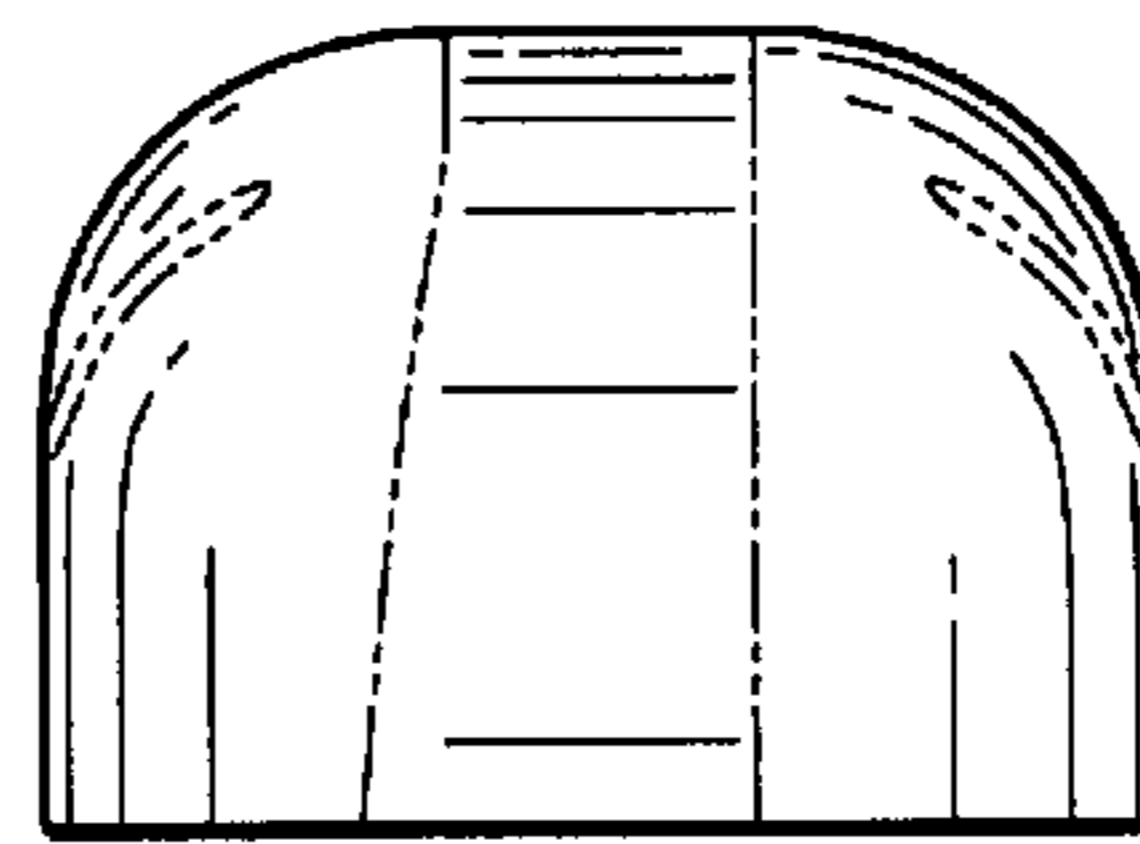


FIG. 5

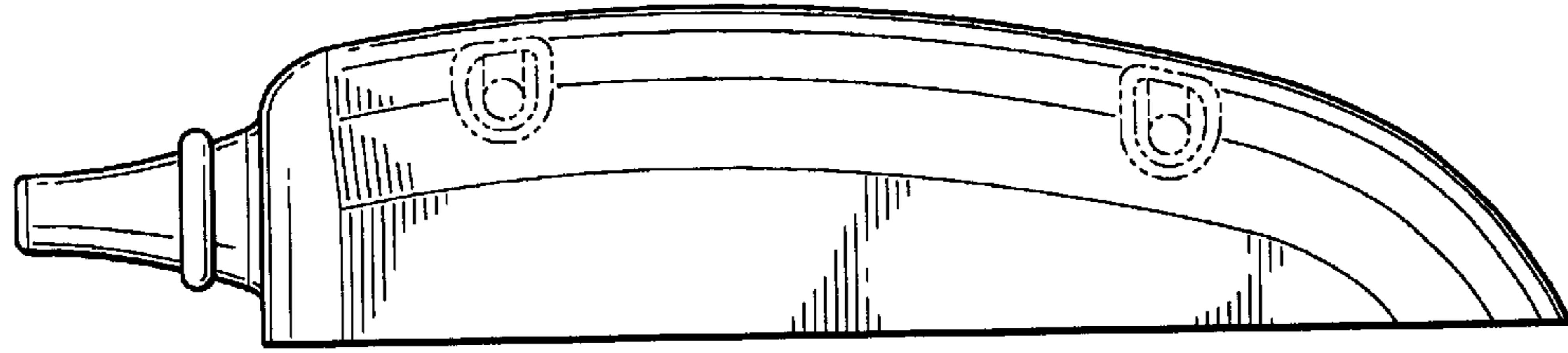


FIG. 6

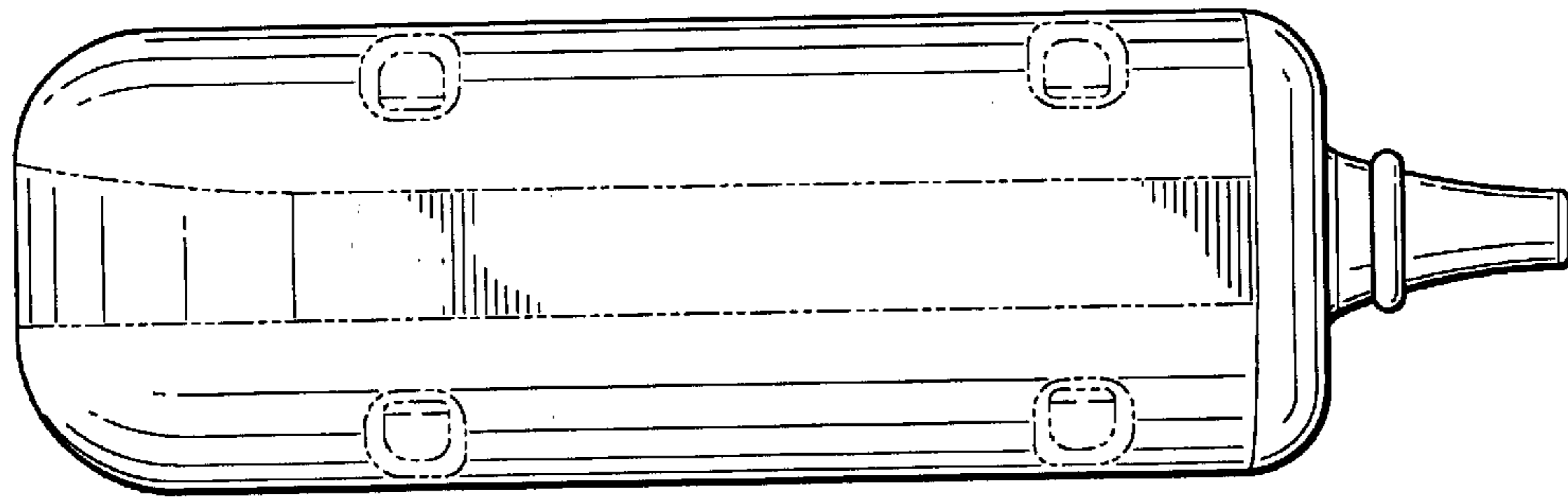


FIG. 7

