

US00D543621S

(12) **United States Design Patent**
Khalaj

(10) **Patent No.:** **US D543,621 S**

(45) **Date of Patent:** **** May 29, 2007**

(54) **INJECTION DEVICE**

(76) **Inventor:** **Ben M. Khalaj**, 106 Arista, San Clemente, CA (US) 92673

(**) **Term:** **14 Years**

(21) **Appl. No.:** **29/220,579**

(22) **Filed:** **Dec. 31, 2004**

(51) **LOC (8) Cl.** **24-02**

(52) **U.S. Cl.** **D24/112**

(58) **Field of Classification Search** D24/112-114,
D24/146; 604/211, 218, 207, 208, 209, 506,
604/185, 198, 132, 134-137
See application file for complete search history.

(56) **References Cited**

U.S. PATENT DOCUMENTS

3,905,365	A	*	9/1975	Colombo	604/209
4,033,346	A	*	7/1977	Phillips et al.	604/208
D277,506	S	*	2/1985	Ibis	D24/113
4,512,767	A	*	4/1985	Denance	604/137
4,676,781	A	*	6/1987	Phillips et al.	604/135
D398,988	S	*	9/1998	Nash	D24/113
5,807,340	A	*	9/1998	Pokras	604/183
5,817,054	A	*	10/1998	Grimm	604/62

5,913,869	A	*	6/1999	Reil	606/188
5,964,736	A	*	10/1999	Lane	604/220
6,582,405	B2	*	6/2003	Kawagishi et al.	604/187
6,607,512	B2	*	8/2003	Oliver et al.	604/209

* cited by examiner

Primary Examiner—Louis S. Zarfaz

Assistant Examiner—Daniel Yu

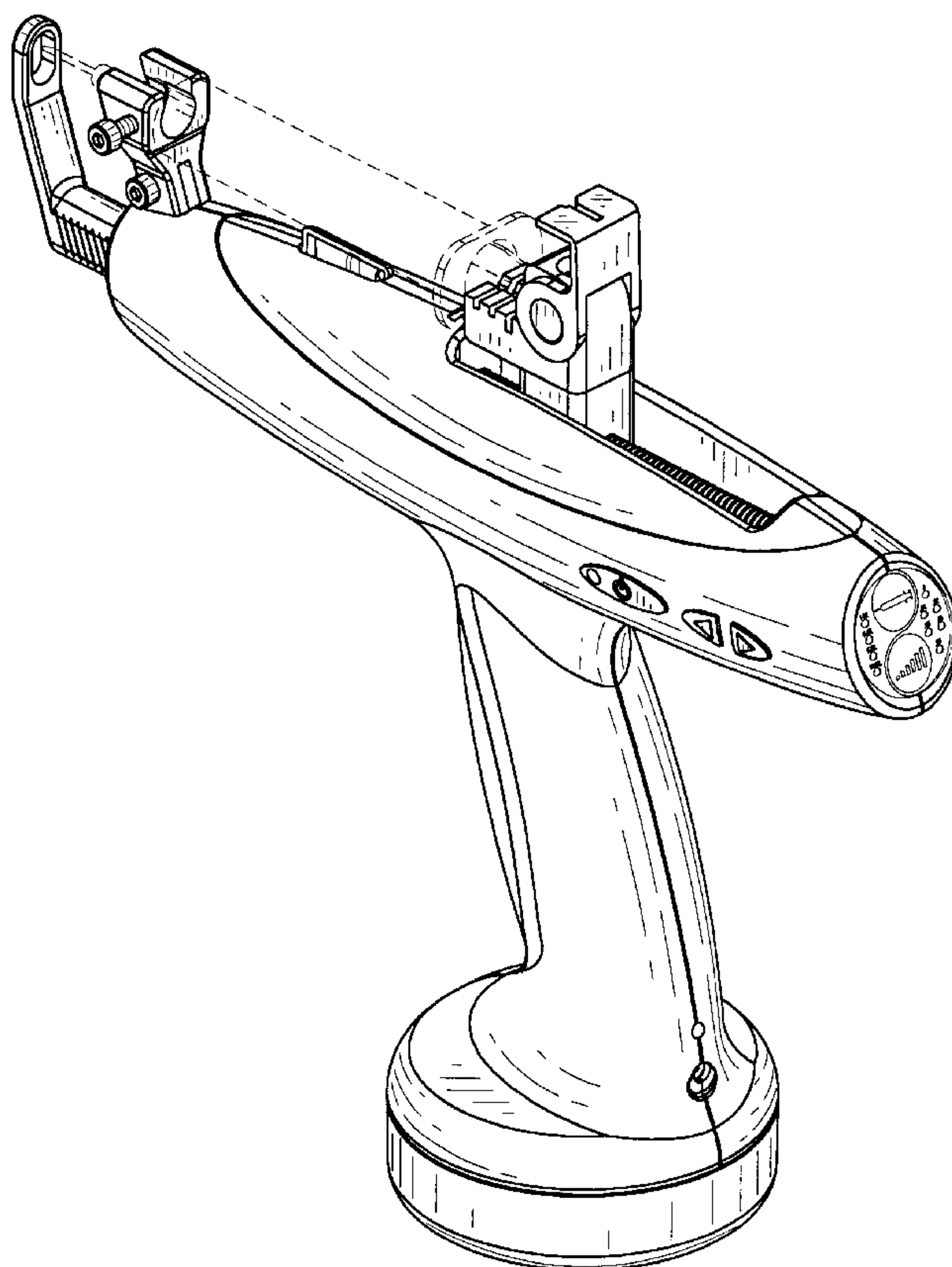
(57) **CLAIM**

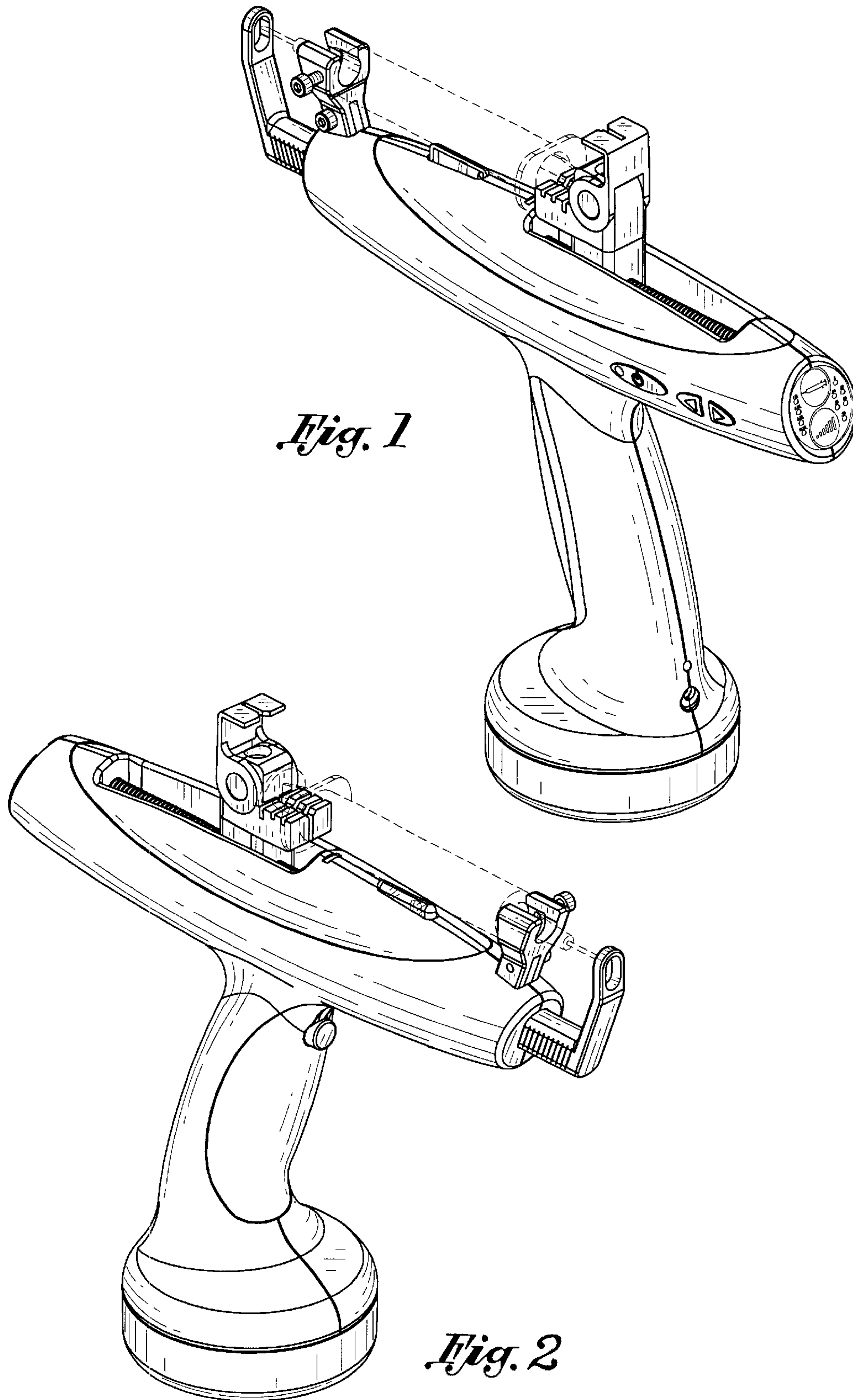
The ornamental design for a injection device, as shown and described.

DESCRIPTION

FIG. 1 is a rear perspective view of a injection device showing my new design;
FIG. 2 is a frontal perspective view thereof;
FIG. 3 is a top plan view thereof;
FIG. 4 is a right side elevation view thereof;
FIG. 5 is a front elevation view thereof;
FIG. 6 is a bottom elevation view thereof;
FIG. 7 is a left side elevation view thereof; and,
FIG. 8 is a rear elevation view thereof.
The broken lines shown in views are for illustrative purposes only and form no part of the claimed design.

1 Claim, 3 Drawing Sheets





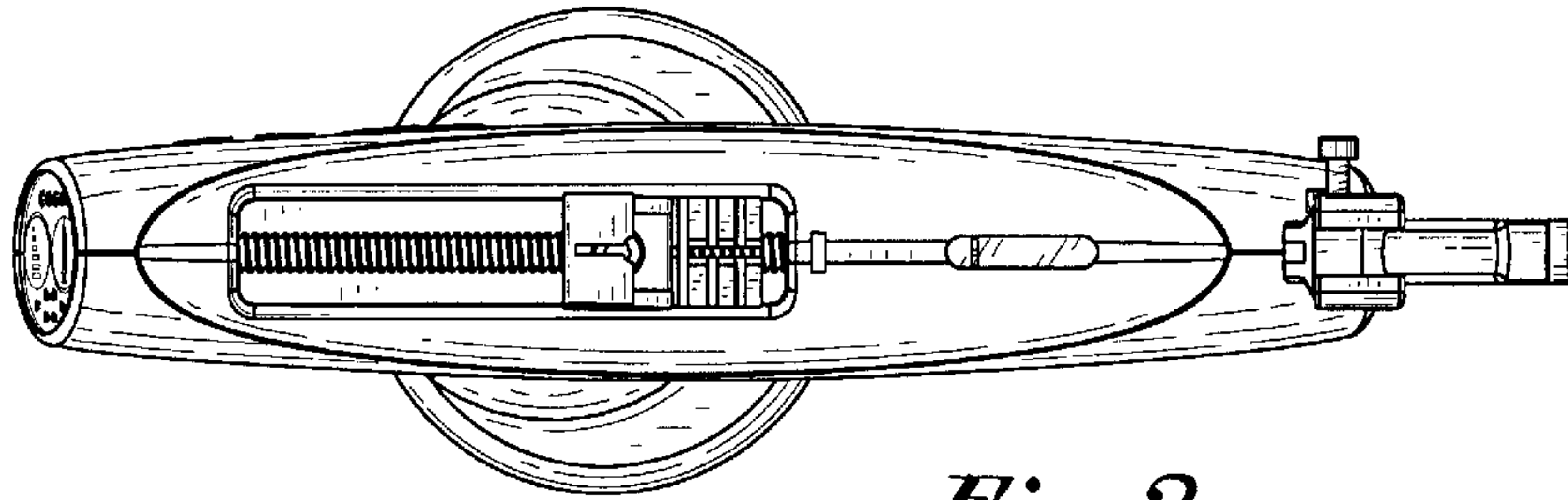


Fig. 3

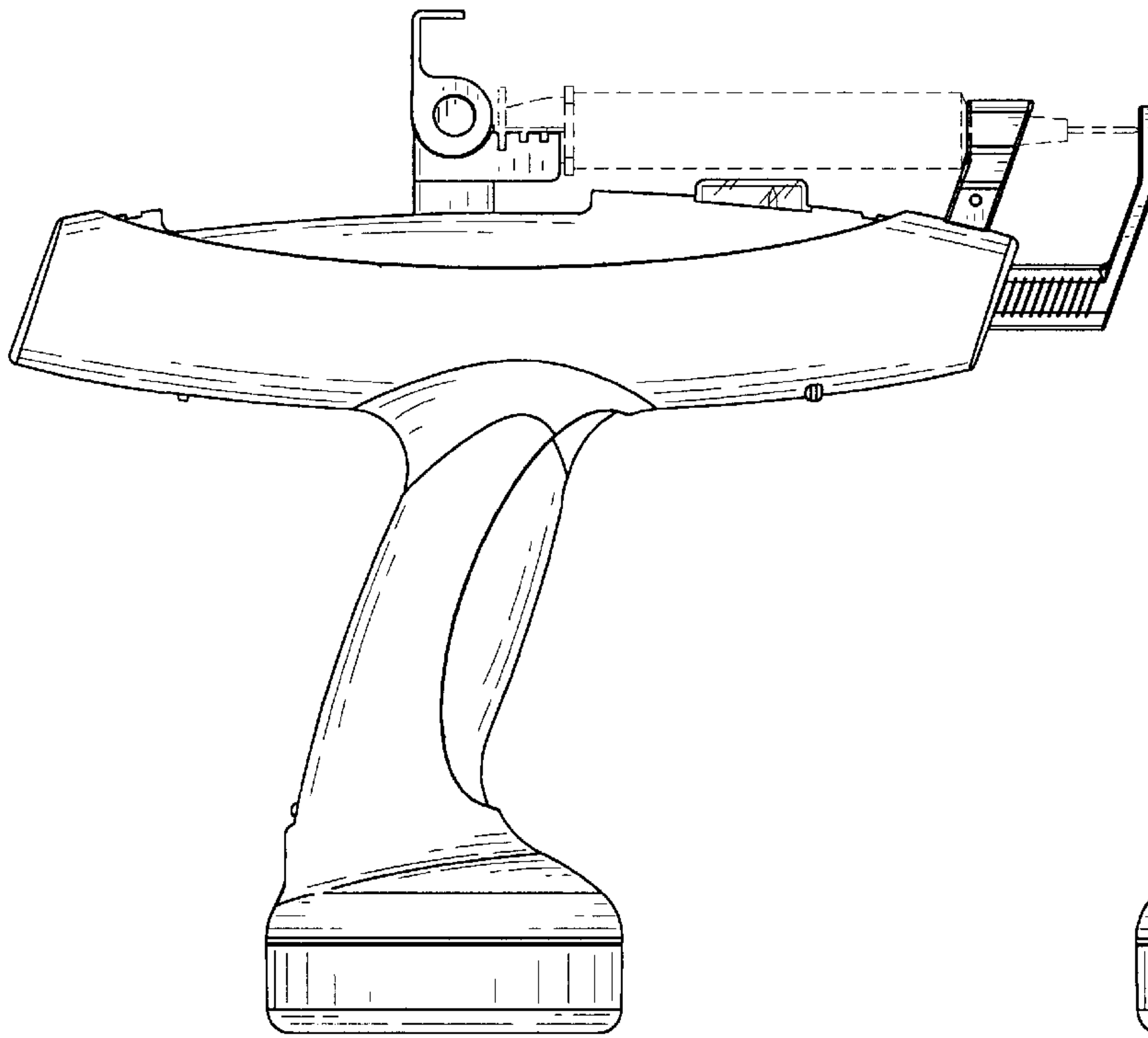


Fig. 4

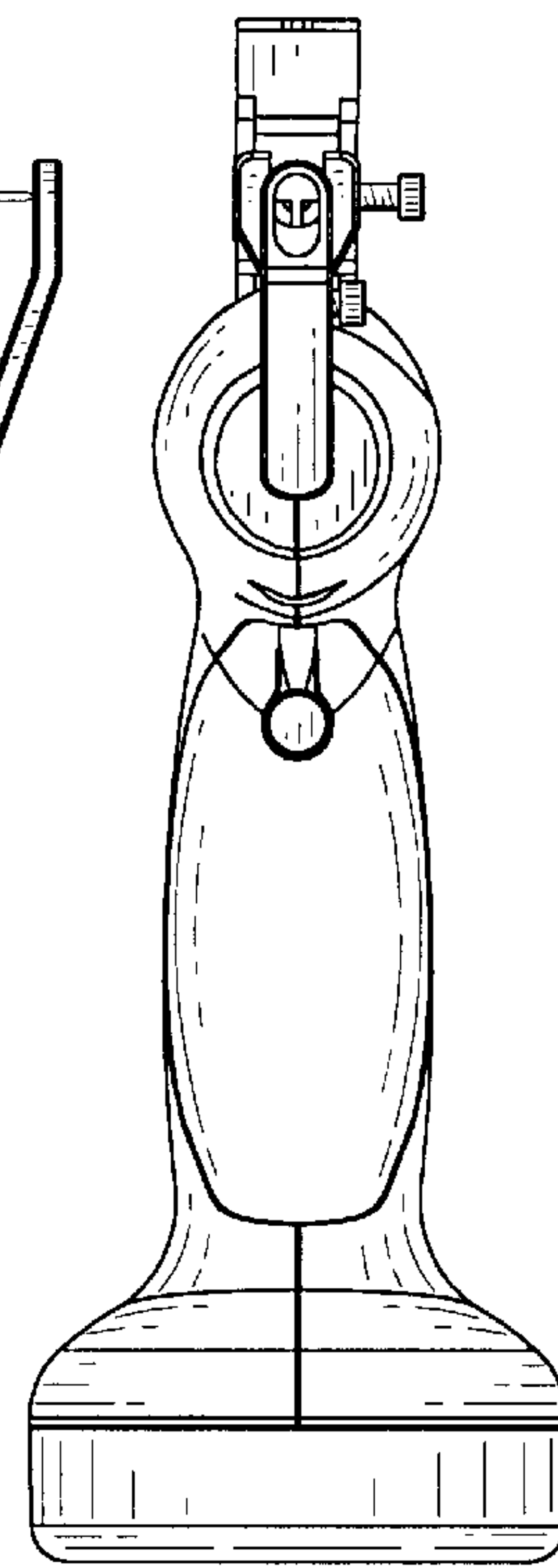


Fig. 5

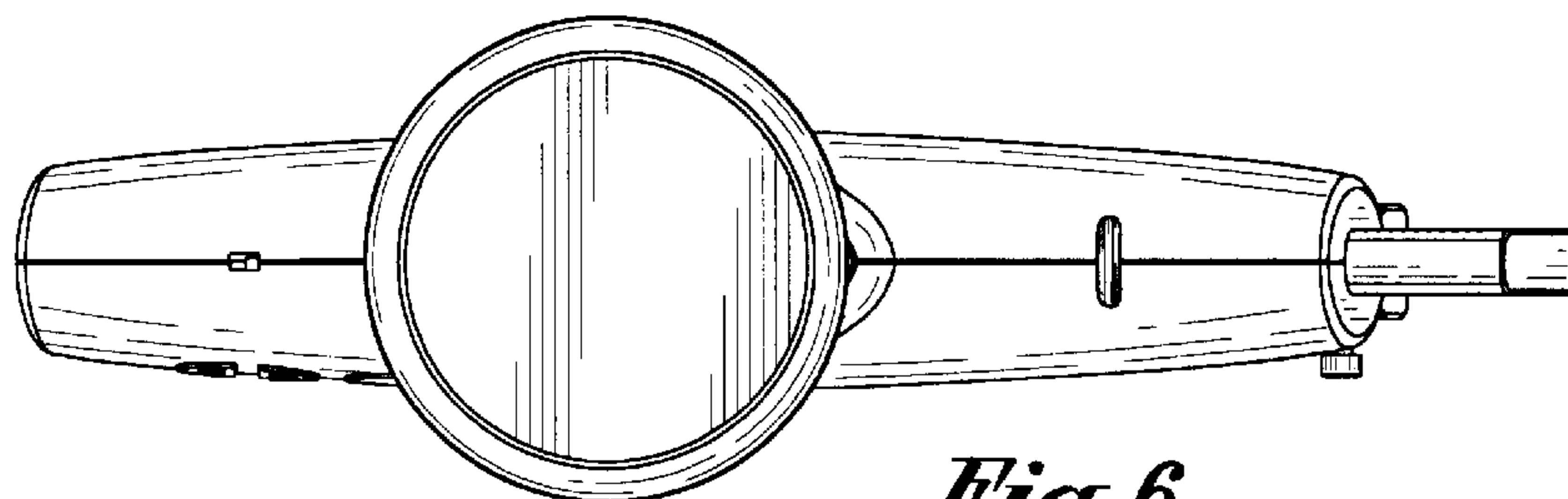


Fig. 6

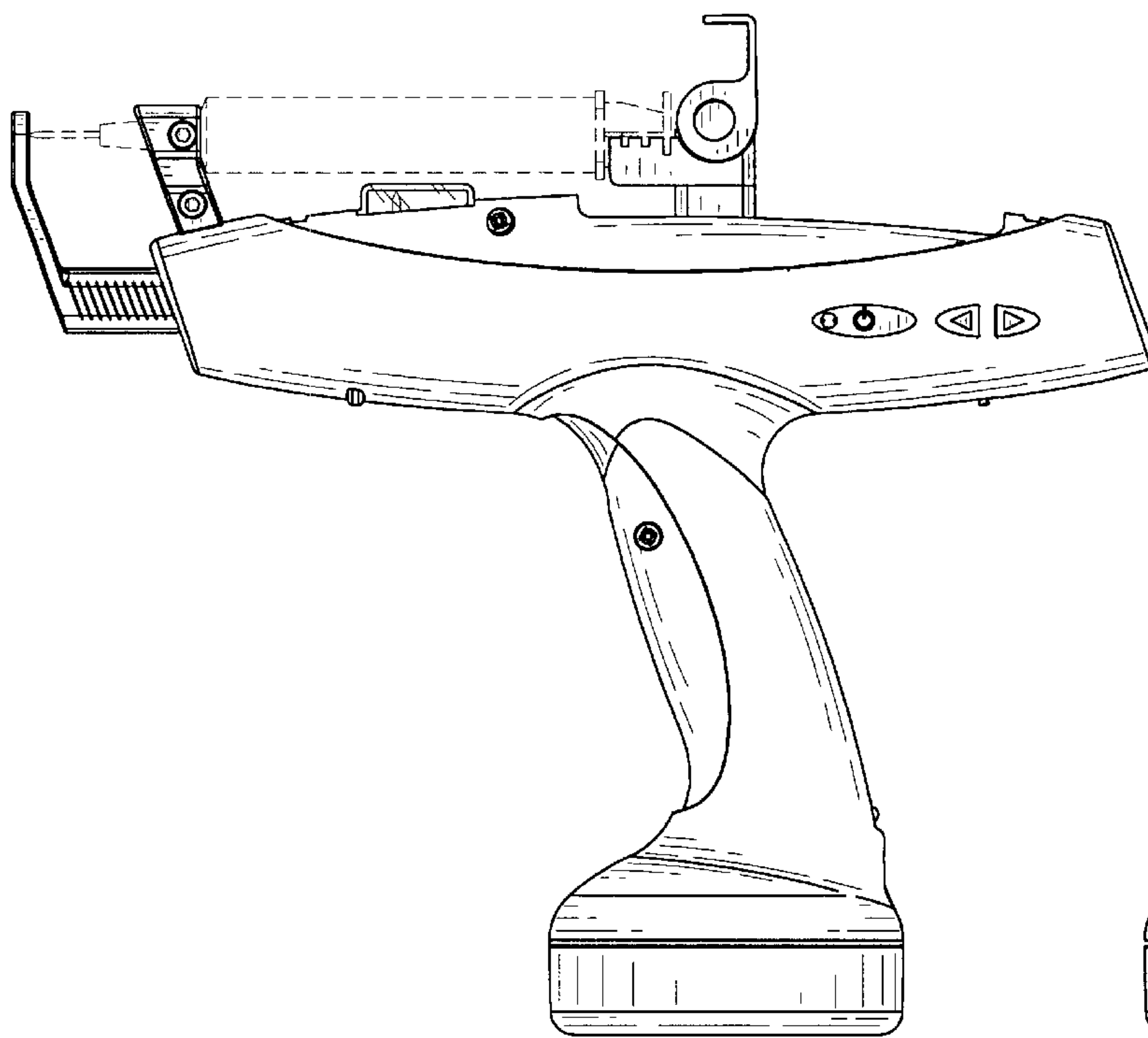


Fig. 7

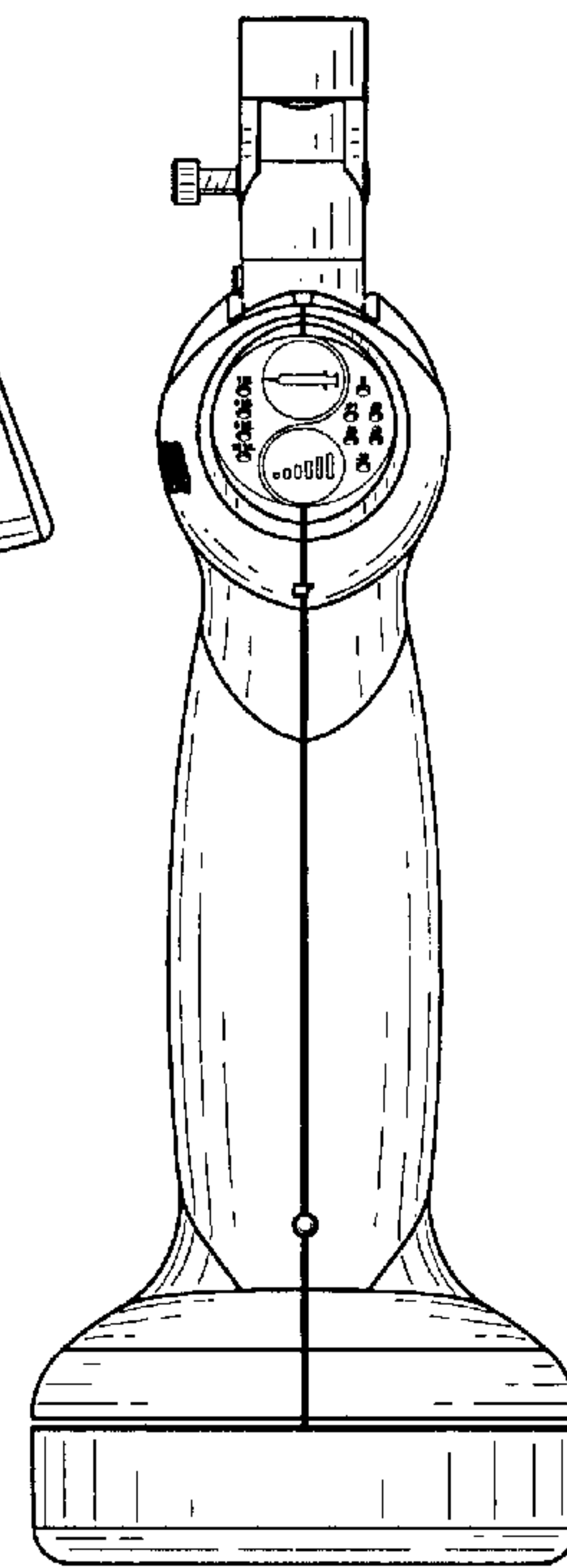


Fig. 8