



US00D543619S

(12) **United States Design Patent**  
**Marshall**

(10) **Patent No.:** **US D543,619 S**

(45) **Date of Patent:** **\*\* May 29, 2007**

(54) **HEADGEAR**

(75) **Inventor:** **Bryony Louise Marshall**, Westleigh (AU)

(73) **Assignee:** **ResMed Limited**, Bella Vista (AU)

(\*\*) **Term:** **14 Years**

(21) **Appl. No.:** **29/233,673**

(22) **Filed:** **Jul. 8, 2005**

(51) **LOC (8) Cl.** ..... **29-02**

(52) **U.S. Cl.** ..... **D24/110; D24/110.1**

(58) **Field of Classification Search** ..... D24/110,  
D24/110.1; 128/207.11, 207.17, 201.19, 206.24,  
128/205.25

See application file for complete search history.

(56) **References Cited**

**U.S. PATENT DOCUMENTS**

2,928,387 A	3/1960	Layne
3,752,157 A	8/1973	Malmin
5,538,000 A	7/1996	Rudolph
5,542,128 A	8/1996	Lomas
6,418,929 B1	7/2002	Norfleet
6,494,207 B1	12/2002	Kwok
D485,905 S	1/2004	Moore
D496,726 S	9/2004	Amarasinghe
6,805,117 B1	10/2004	Ho

2003/0051732 A1	3/2003	Smith
2004/0025882 A1	2/2004	Madaus
2004/0067333 A1	4/2004	Amarasinghe
2004/0112377 A1	6/2004	Amarasinghe
2004/0149280 A1	8/2004	Semeniuk

*Primary Examiner*—Ian Simmons

*Assistant Examiner*—Christopher Lee

(74) *Attorney, Agent, or Firm*—Nixon & Vanderhye P.C.

(57) **CLAIM**

The ornamental design for a headgear, as shown and described.

**DESCRIPTION**

FIG. 1 is perspective view of a headgear according to an embodiment of my design;

FIG. 2 is a front view thereof;

FIG. 3 is a rear view thereof;

FIG. 4 is a top view thereof;

FIG. 5 is a bottom view thereof;

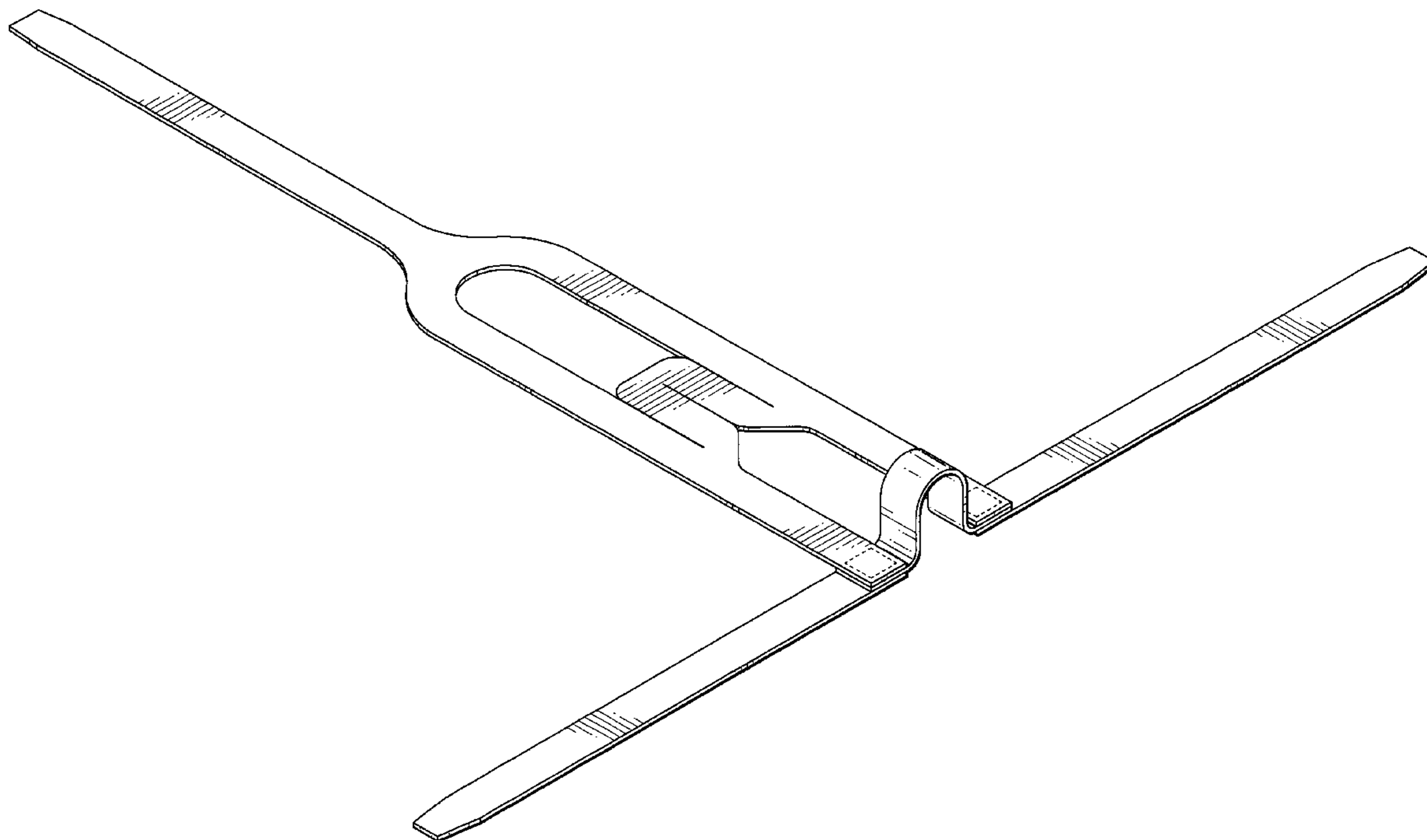
FIG. 6 is a left side view thereof;

FIG. 7 is a right side view thereof; and,

FIG. 8 is a perspective view shown in use.

Where included, broken lines showing environment or structure are for illustrative purposes only and form no part of the claimed design. FIGS. 1, 2, 3 and 8 show stitching in broken lines which form no part of the claimed design.

**1 Claim, 6 Drawing Sheets**



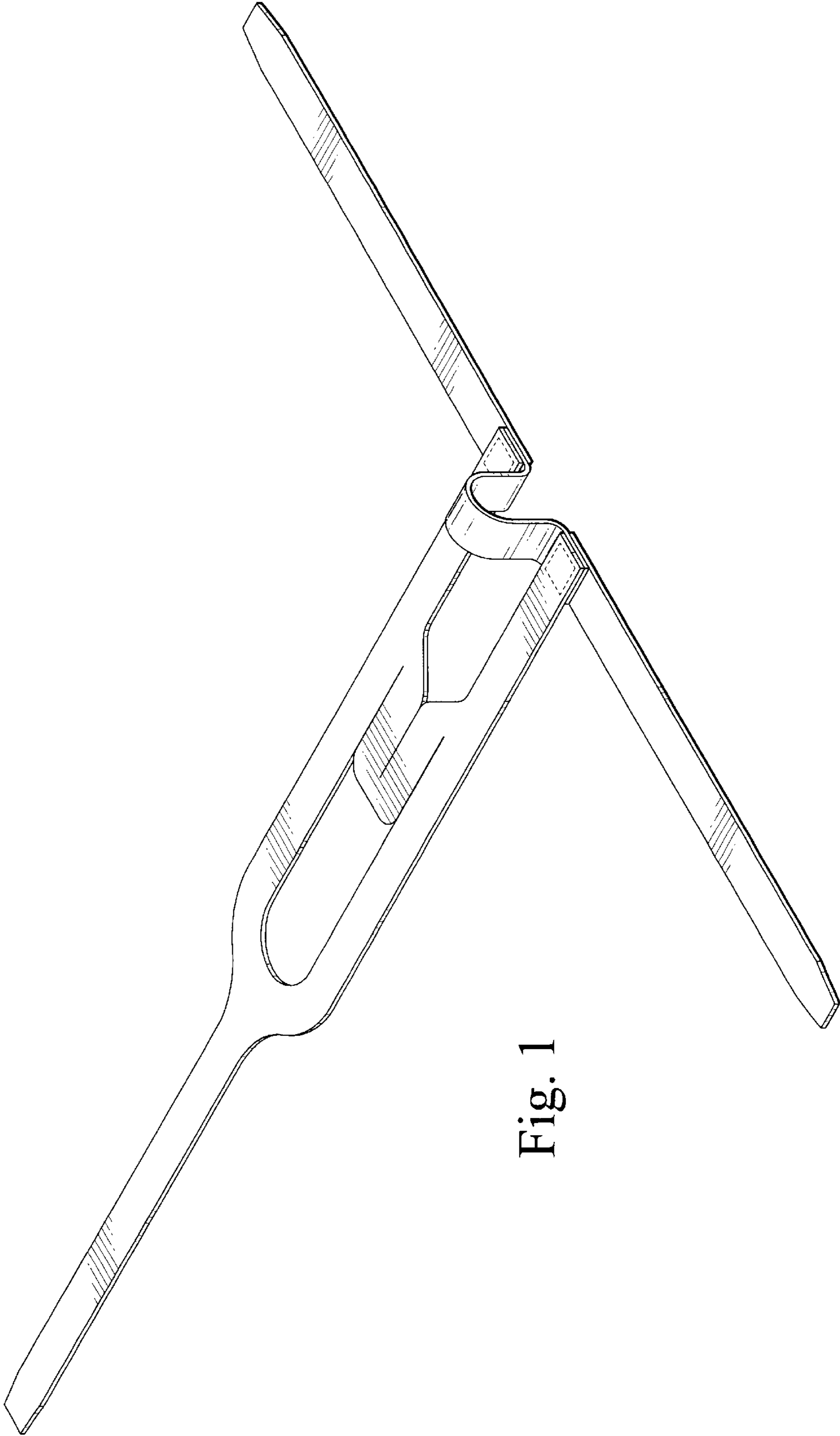


Fig. 1

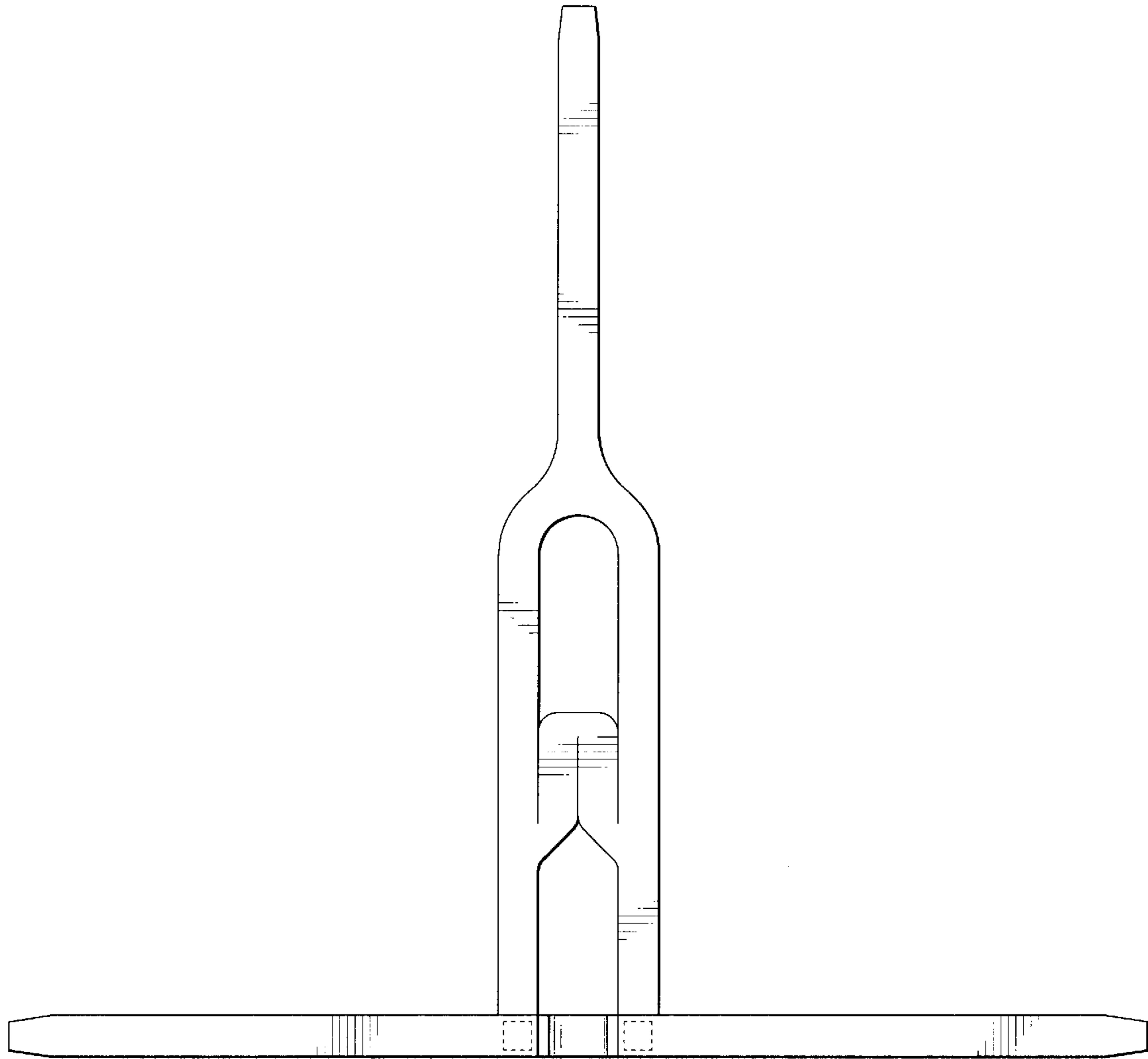


Fig. 2

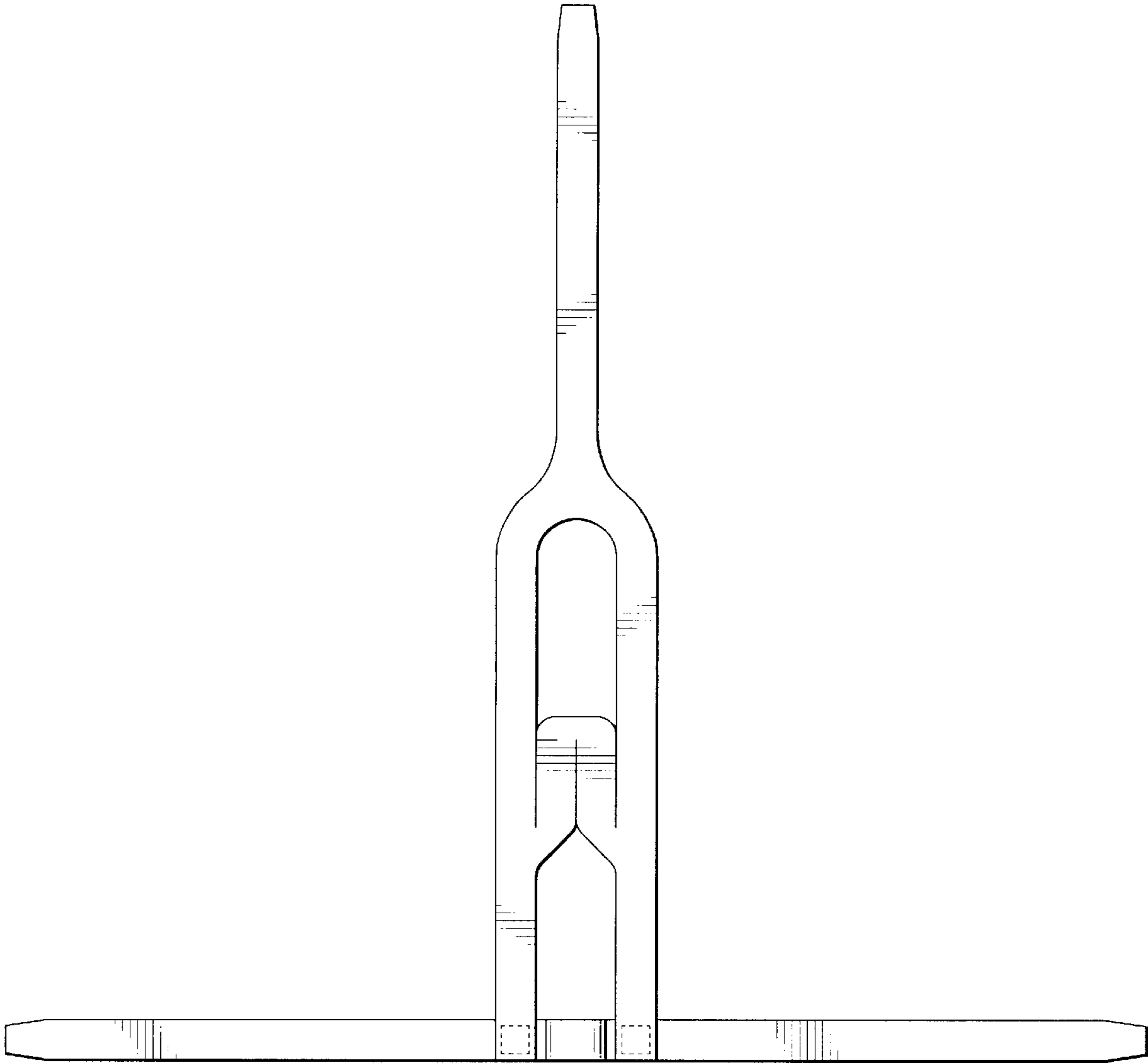


Fig. 3

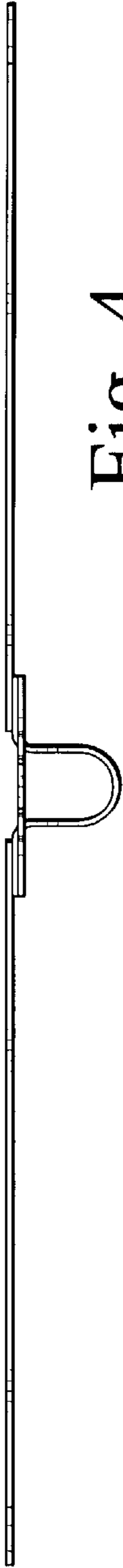


Fig. 4

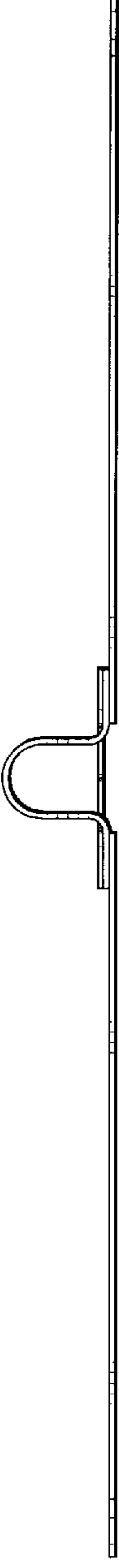


Fig. 5

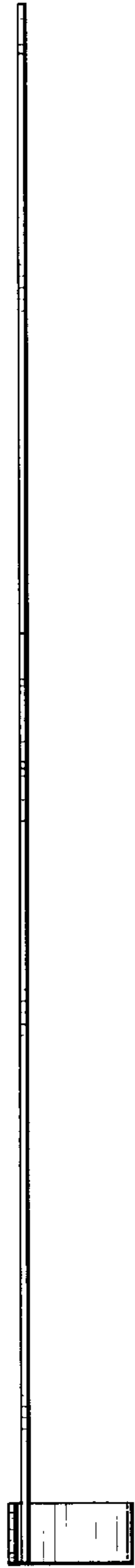


Fig. 6

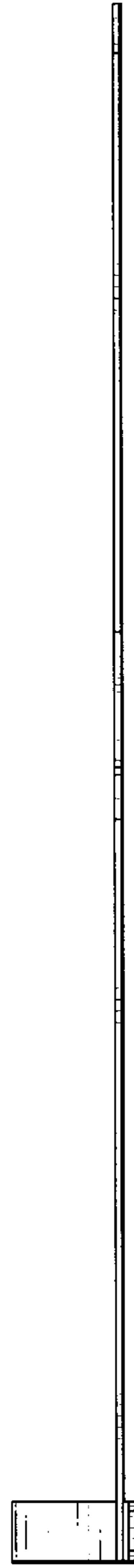


Fig. 7

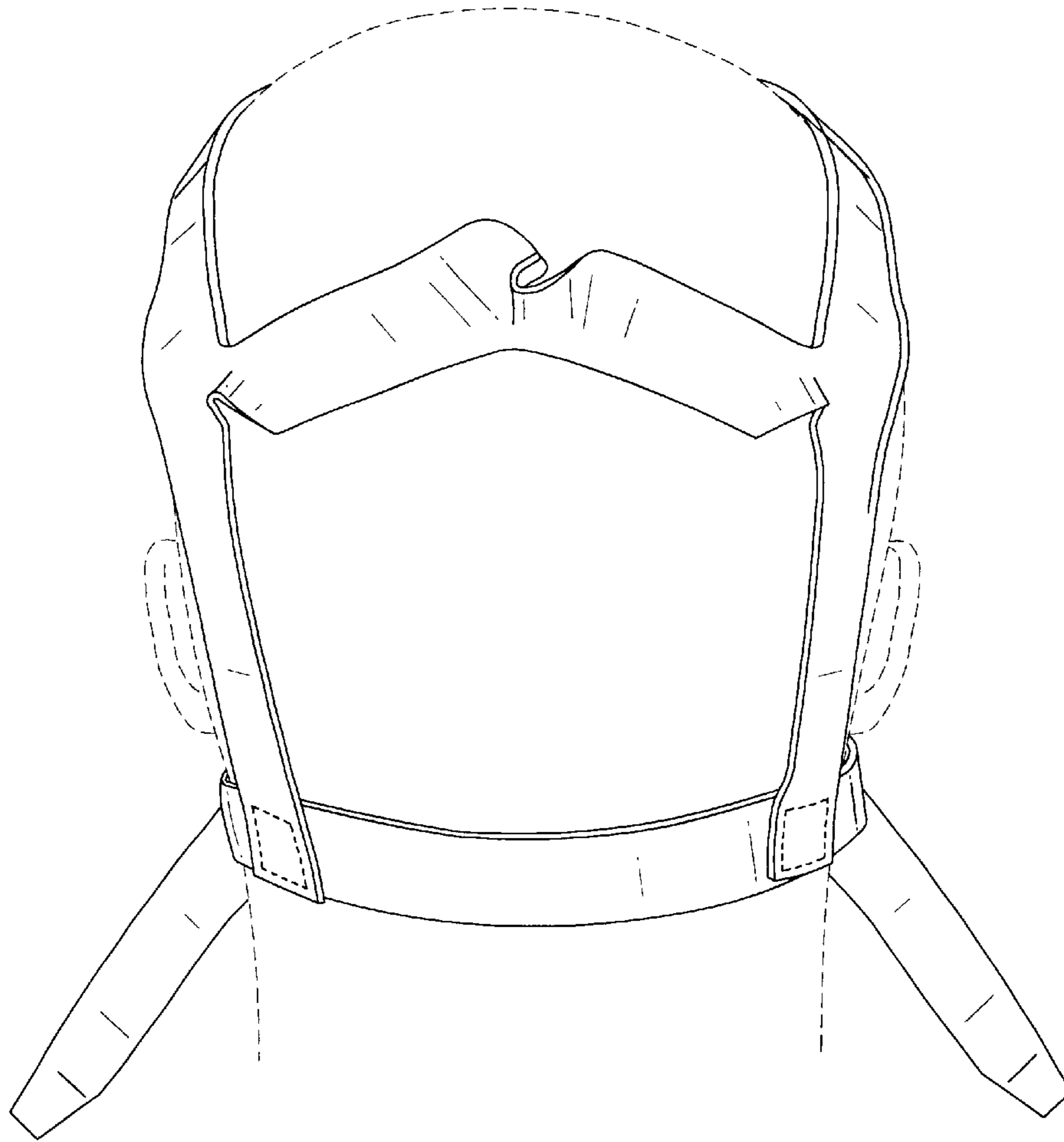


Fig. 8