



US00D543615S

(12) **United States Design Patent**
Lee

(10) **Patent No.:** **US D543,615 S**

(45) **Date of Patent:** **** May 29, 2007**

(54) **FAN BLADE BRACKET**

D382,955 S * 8/1997 Liu D23/411
D483,142 S * 12/2003 Hsu D26/81
D527,093 S * 8/2006 Holmes D23/411

(75) Inventor: **Emily M. Lee**, Monterey Park, CA
(US)

* cited by examiner

(73) Assignee: **Landmark Enterprise Inc.**, Begawan
(BN)

Primary Examiner—Lisa Lichtenstein
(74) *Attorney, Agent, or Firm*—Troxell Law Office, PLLC

(**) Term: **14 Years**

(57) **CLAIM**

(21) Appl. No.: **29/261,540**

I claim the ornamental design for a fan blade bracket, as shown and described.

(22) Filed: **Jun. 16, 2006**

DESCRIPTION

(51) **LOC (8) Cl.** **23-04**

(52) **U.S. Cl.** **D23/411**

(58) **Field of Classification Search** D23/377,
D23/379, 385, 411, 413; 416/5
See application file for complete search history.

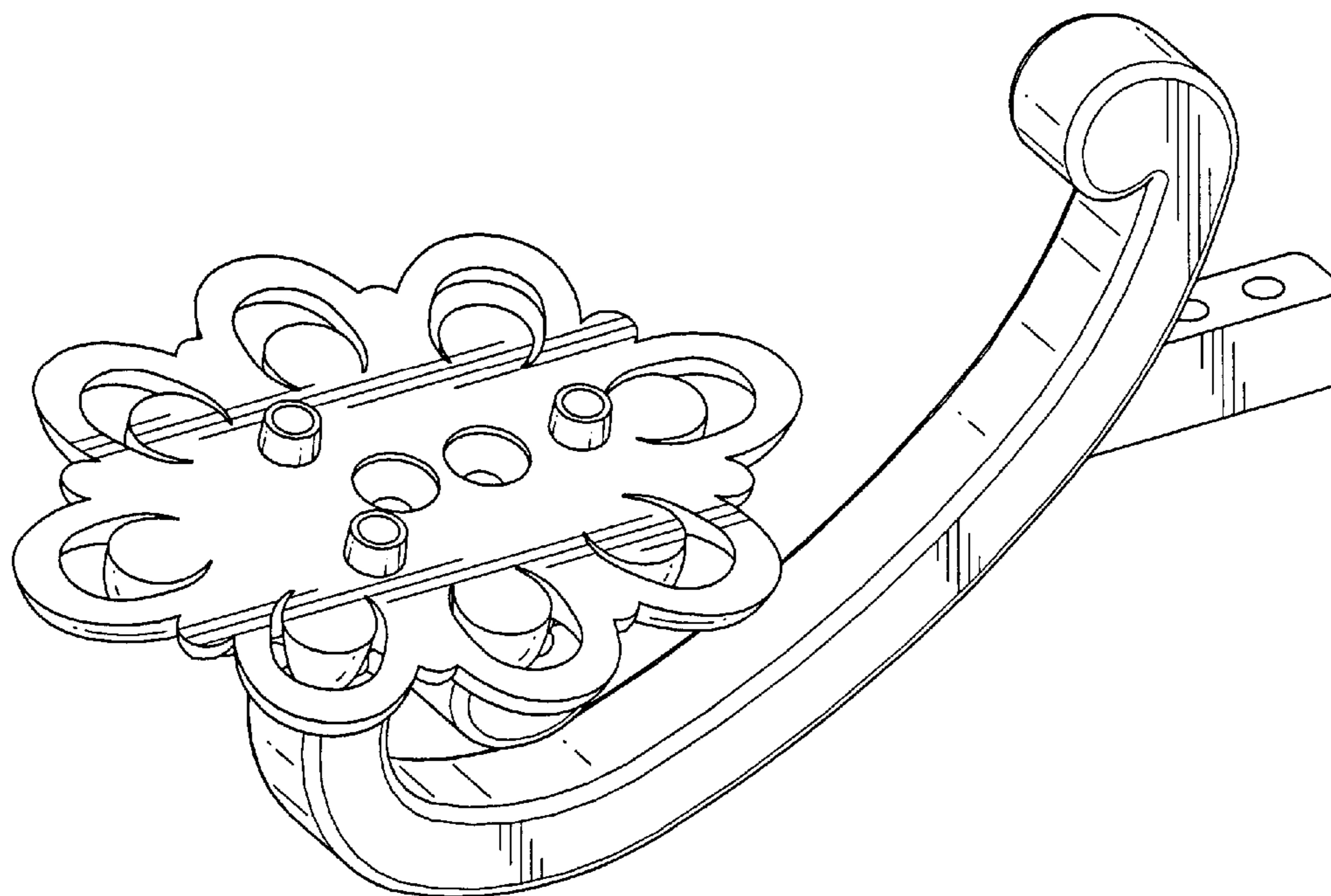
FIG. 1 is a front perspective view of a fan blade bracket showing my new design;
FIG. 2 is a front elevational view thereof;
FIG. 3 is a rear elevational view thereof.
FIG. 4 is a left side elevational view thereof;
FIG. 5 is a right side elevational view thereof;
FIG. 6 is a top plan view thereof; and,
FIG. 7 is a bottom plan view thereof.

(56) **References Cited**

U.S. PATENT DOCUMENTS

D73,197 S * 8/1927 Petersen D26/81

1 Claim, 4 Drawing Sheets



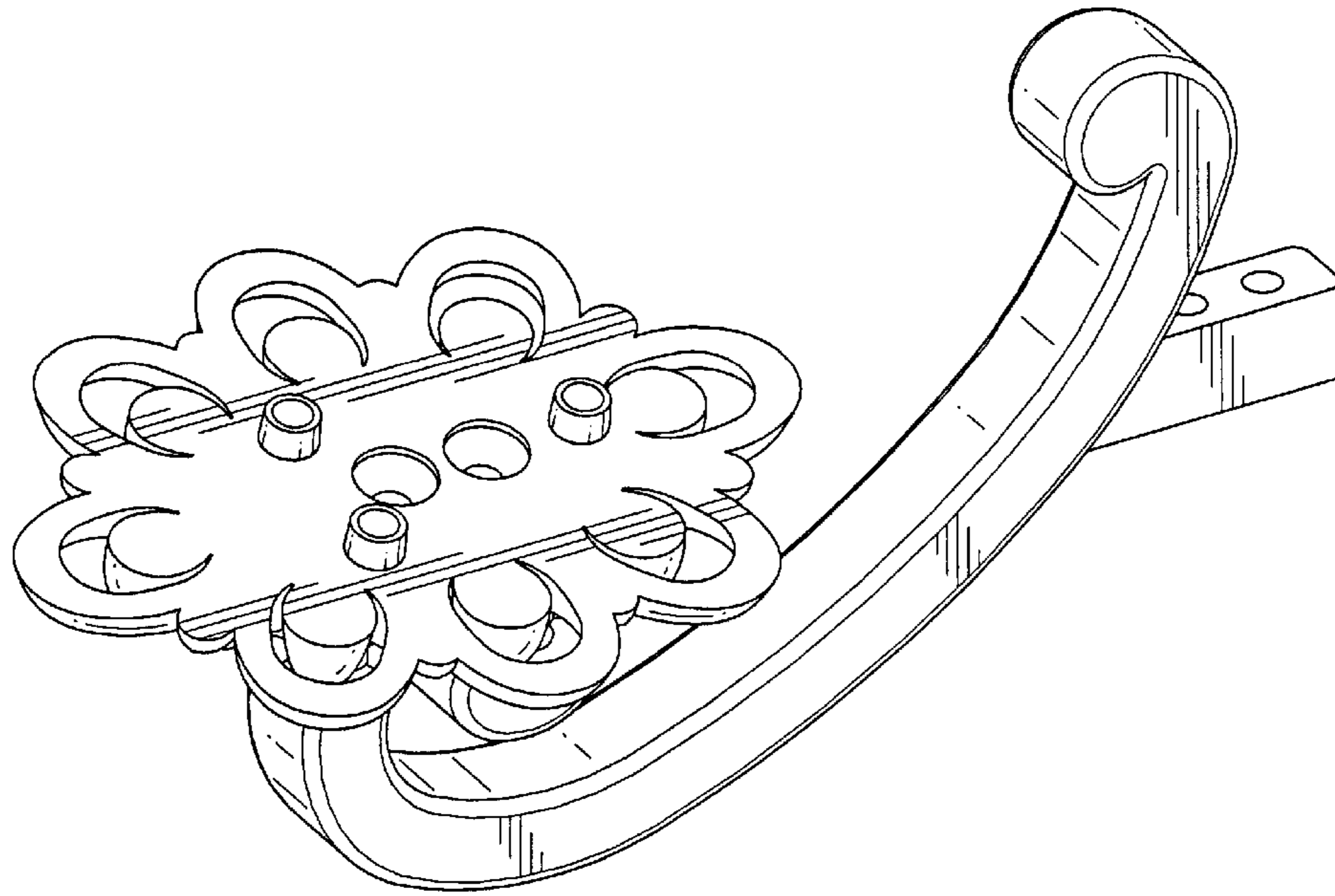


FIG. 1

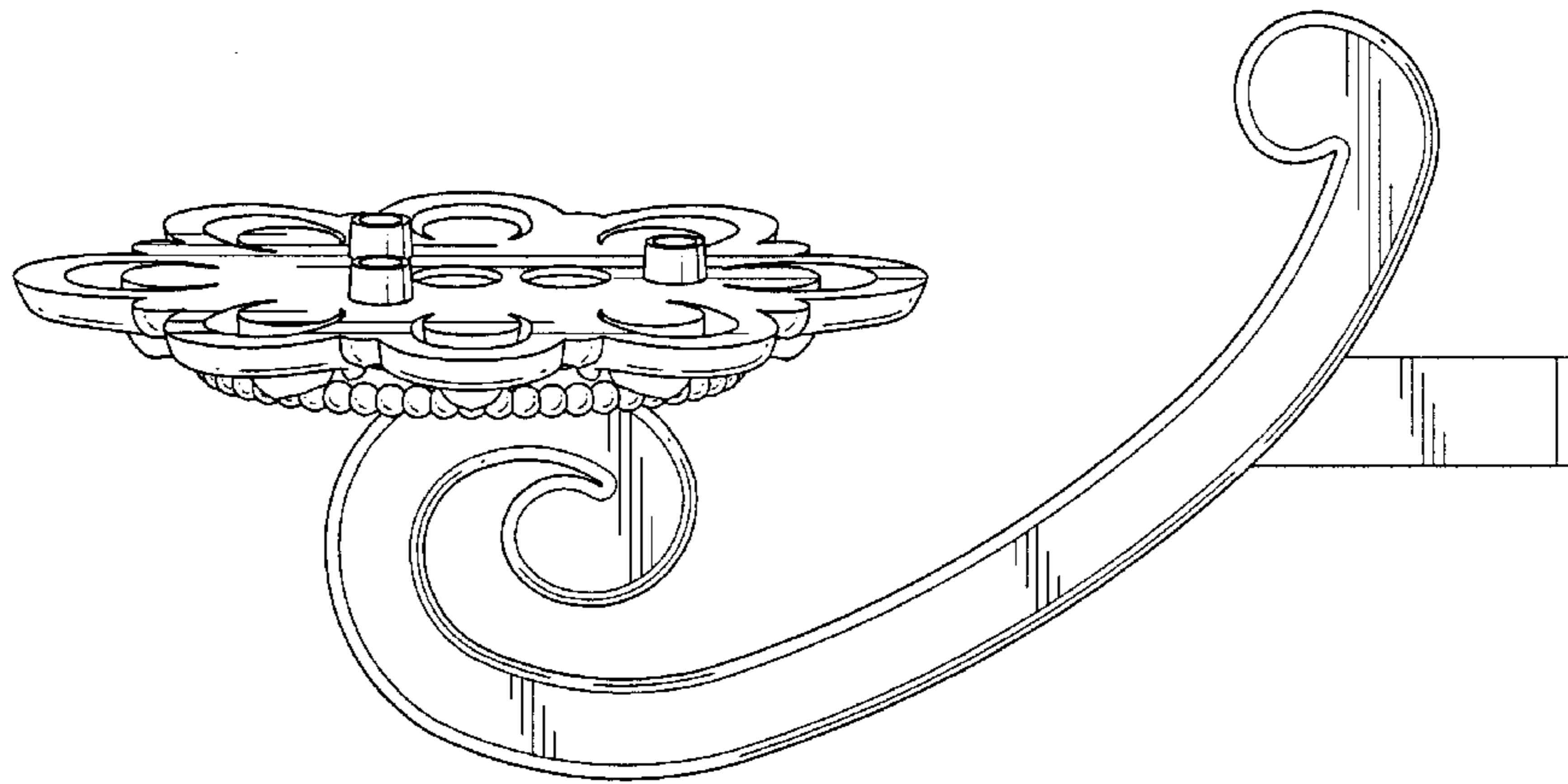


FIG. 2

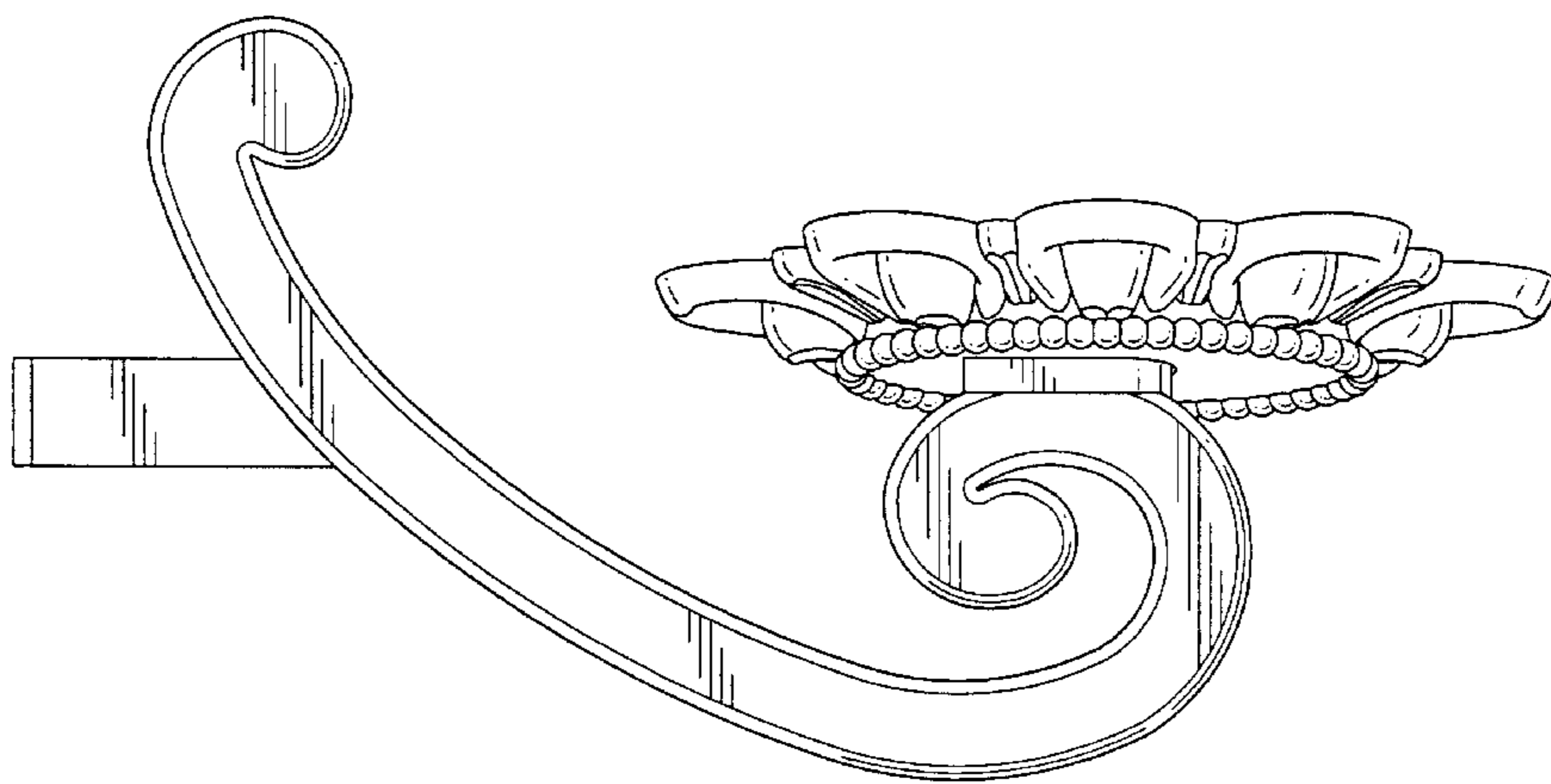


FIG. 3

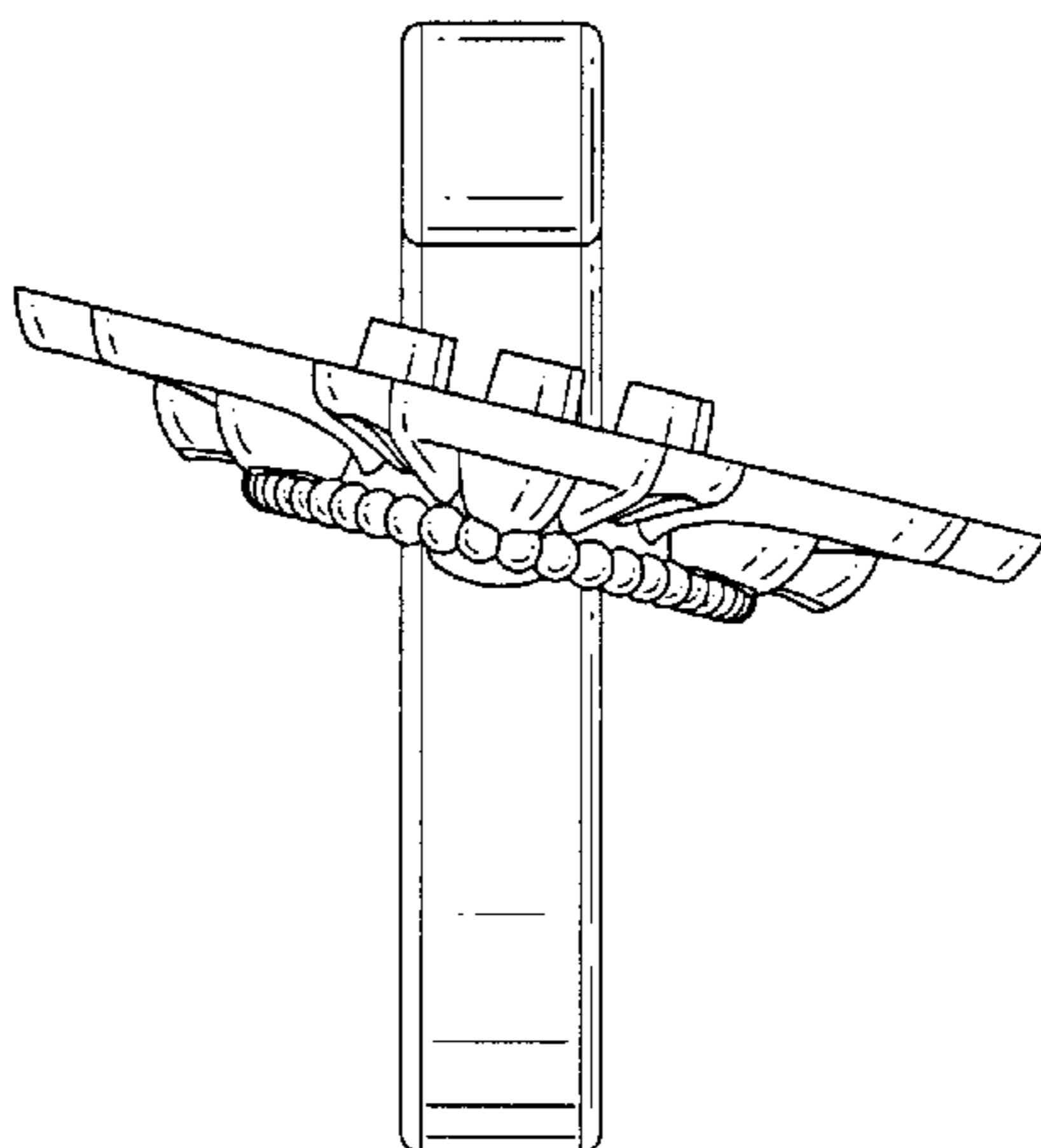


FIG. 4

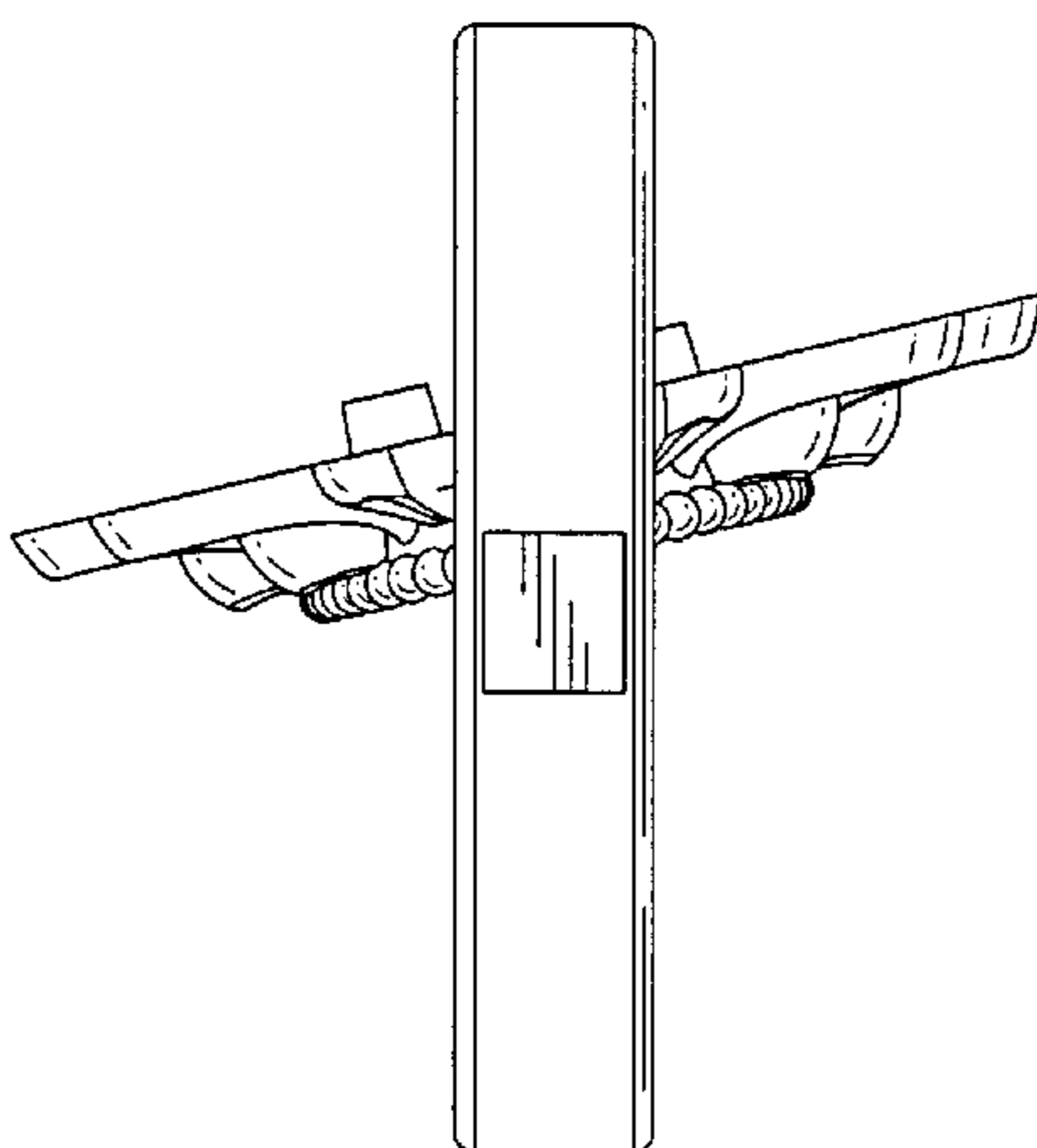


FIG. 5

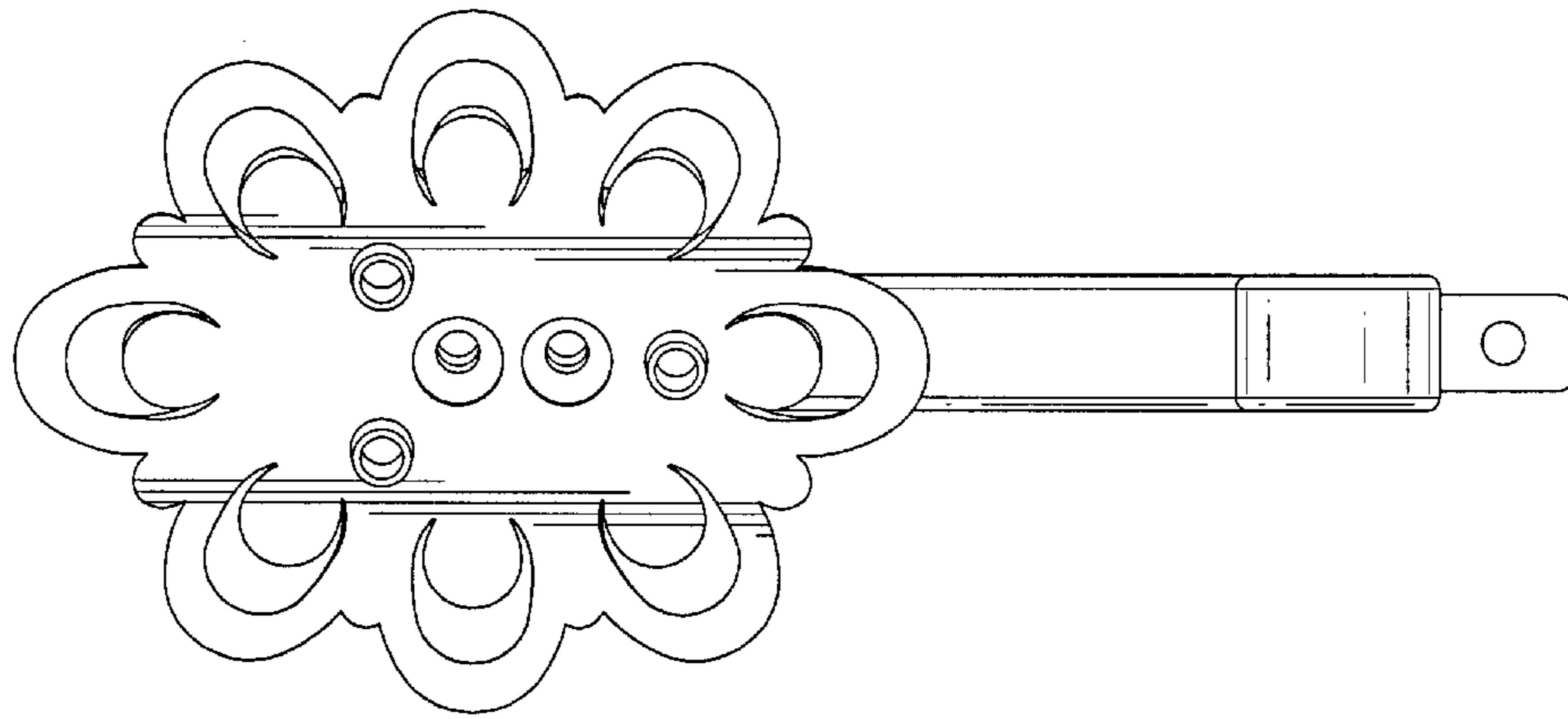


FIG. 6

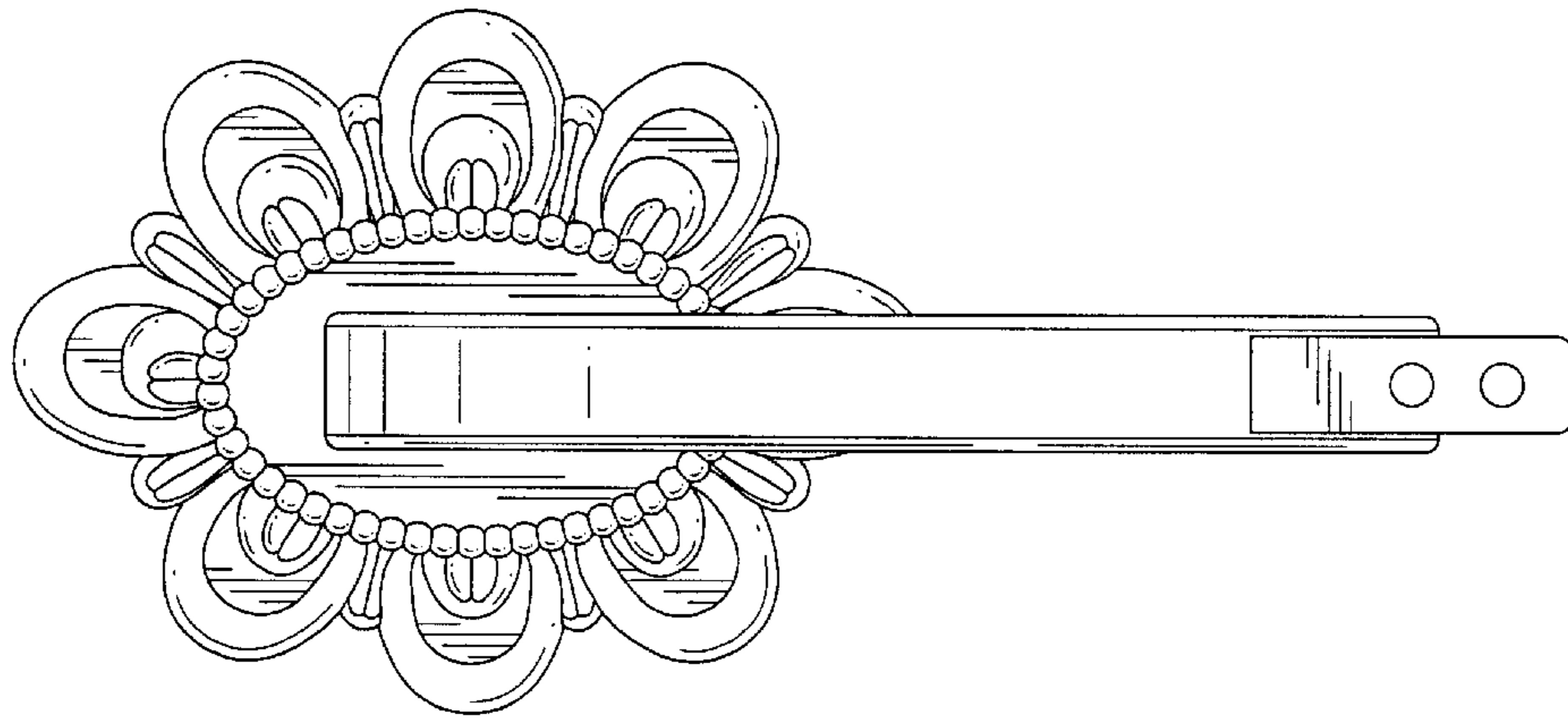


FIG. 7