



US00D543614S

(12) **United States Design Patent**
Chen

(10) **Patent No.:** **US D543,614 S**

(45) **Date of Patent:** **** May 29, 2007**

(54) **PORTABLE FAN**

D495,336 S 8/2004 Andre et al.

D506,476 S 6/2005 Andre et al.

D513,611 S 1/2006 Hibi

(75) Inventor: **Yung Chen**, Clarendon Hills, IL (US)

(73) Assignee: **Squeeze Breeze Circular, a division of GLJ, LLC**, Chicago, IL (US)

* cited by examiner

Primary Examiner—Lisa Lichtenstein

(74) *Attorney, Agent, or Firm*—Gifford, Krass, Groh, Sprinkle, Anderson & Citkowski, P.C.

(**) Term: **14 Years**

(21) Appl. No.: **29/241,131**

(57) **CLAIM**

(22) Filed: **Oct. 24, 2005**

I claim the ornamental design for a portable fan, as shown and described.

(51) **LOC (8) Cl.** **23-04**

(52) **U.S. Cl.** **D23/382**

(58) **Field of Classification Search** D23/382,
D23/381, 370, 328, 335; 416/247 R, 246;
D14/156, 496

DESCRIPTION

See application file for complete search history.

FIG. 1 is a perspective view of the fan according to the present design;

FIG. 2 is a top view of the present design;

FIG. 3 is a front view of the present design; and,

FIG. 4 is a right side plan view of the present design and illustrating in phantom a displaceable stand support, a corresponding left side plan view being a mirror image thereof. The broken line showing of environmental structure is for illustrative purposes only and forms no part of the claimed design.

(56) **References Cited**

U.S. PATENT DOCUMENTS

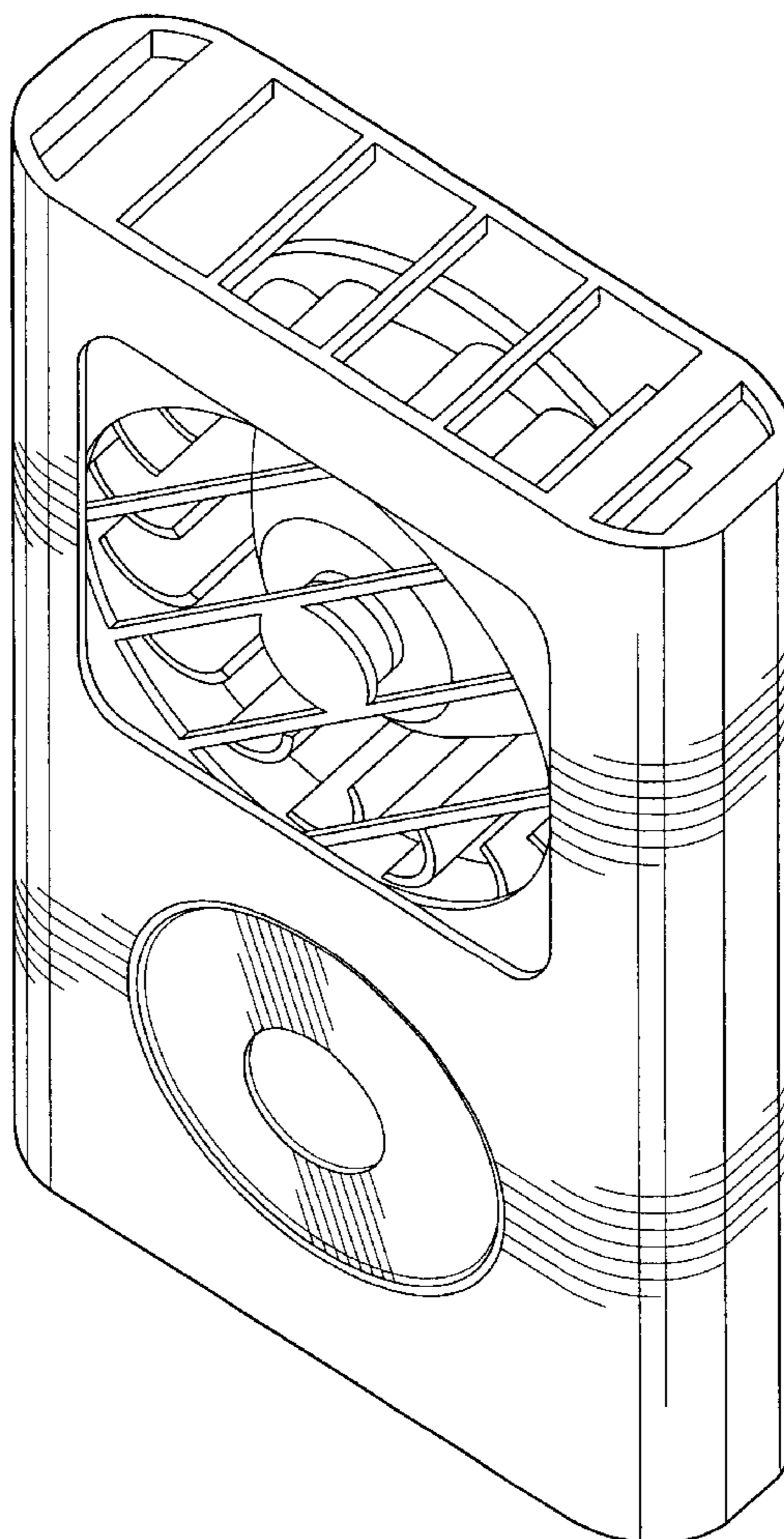
D415,270 S * 10/1999 Fok D23/382

D469,109 S * 1/2003 Andre et al. D14/496

D472,245 S 3/2003 Andre et al.

D489,052 S * 4/2004 Shiraki et al. D14/156

1 Claim, 3 Drawing Sheets



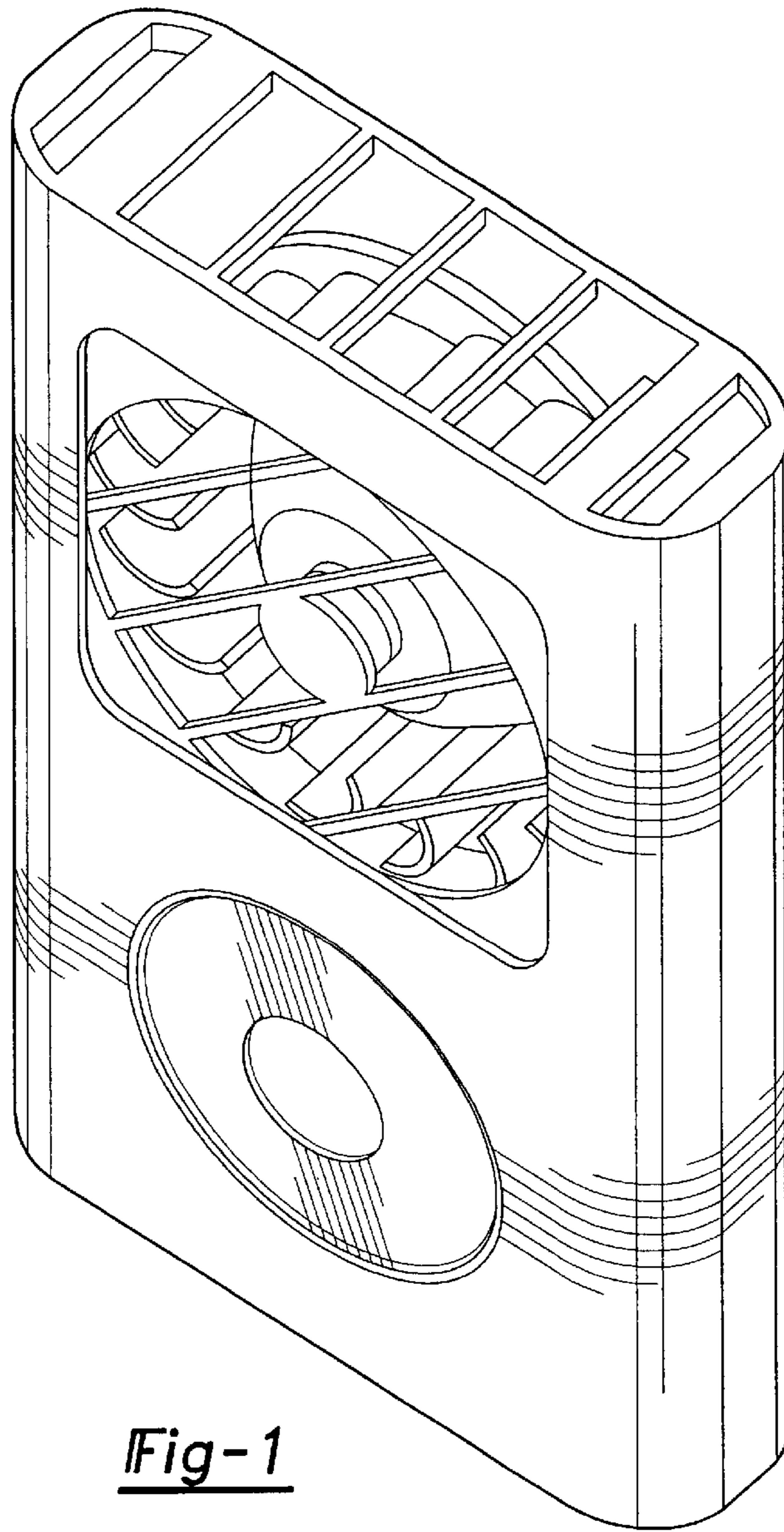


Fig-1

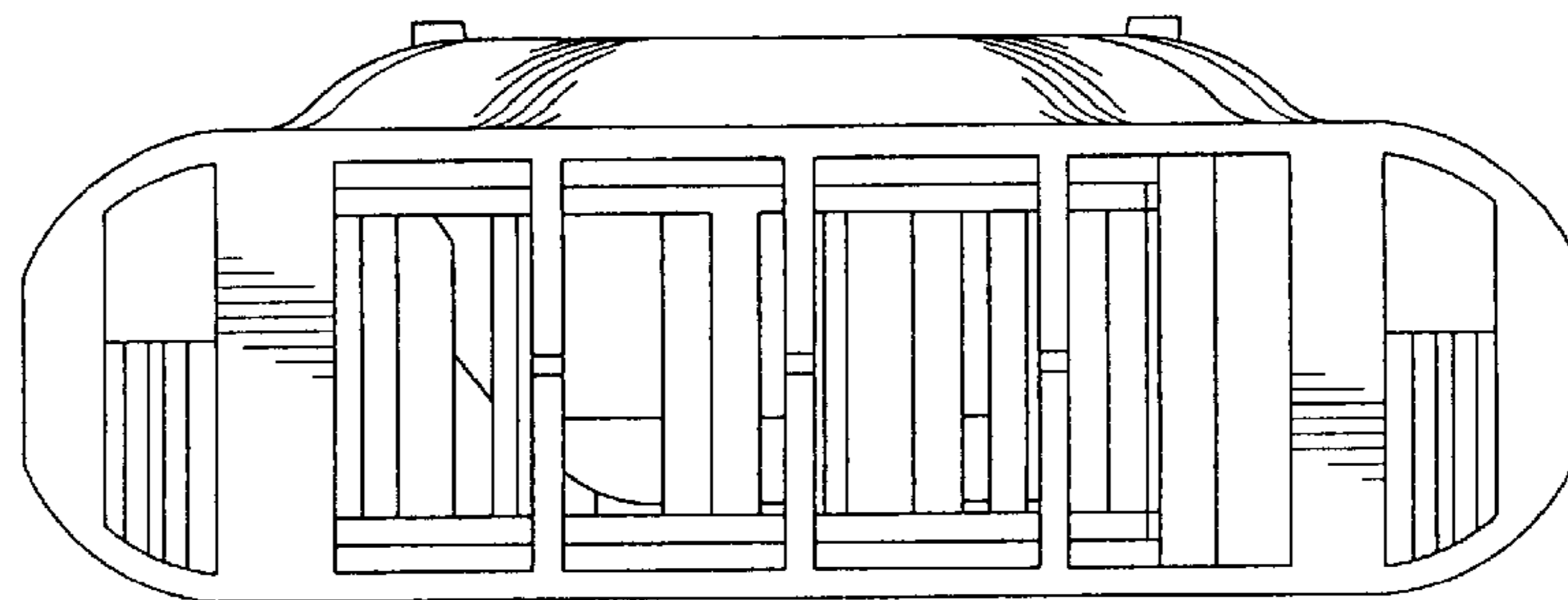


Fig-2

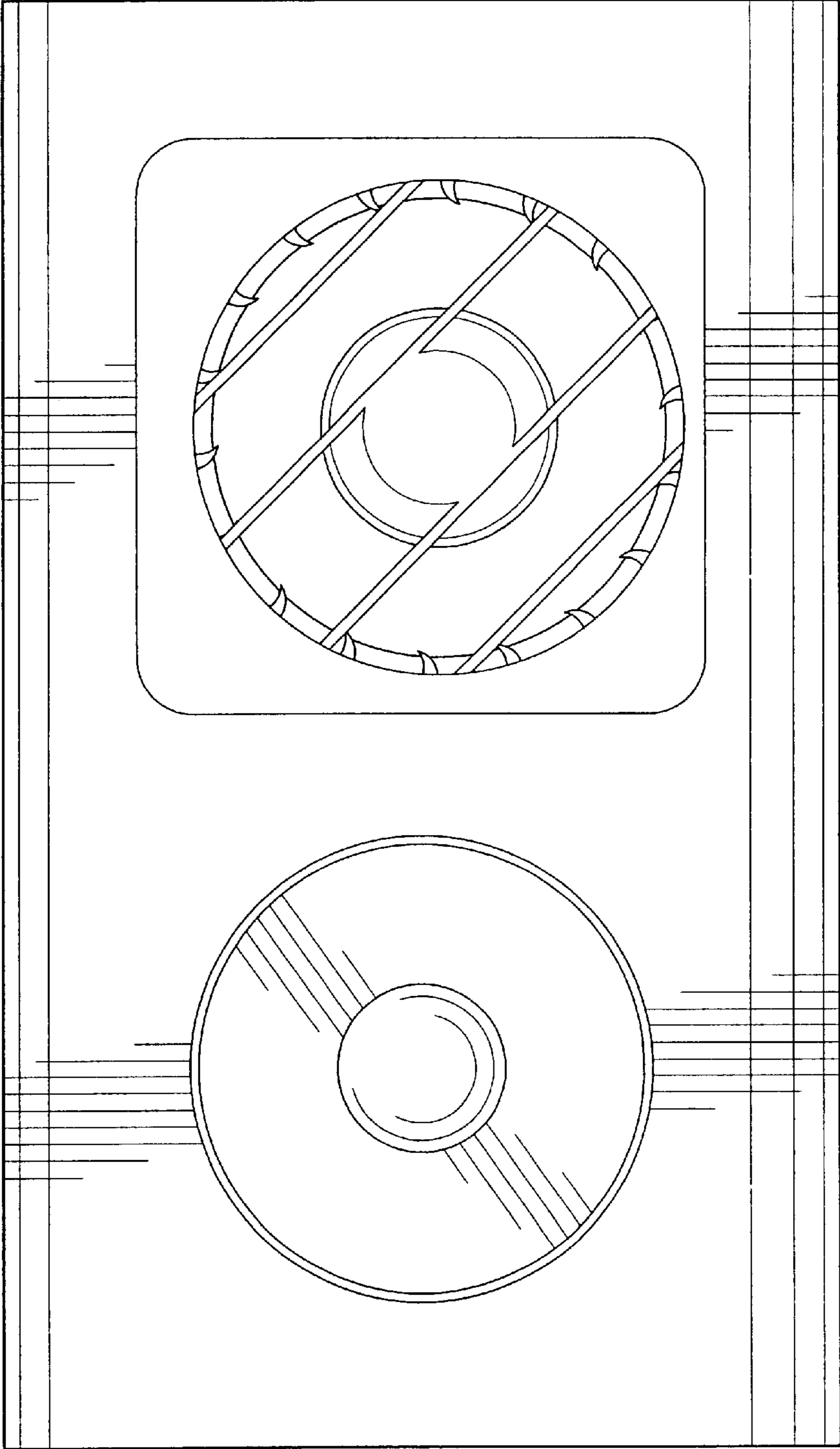


Fig-3

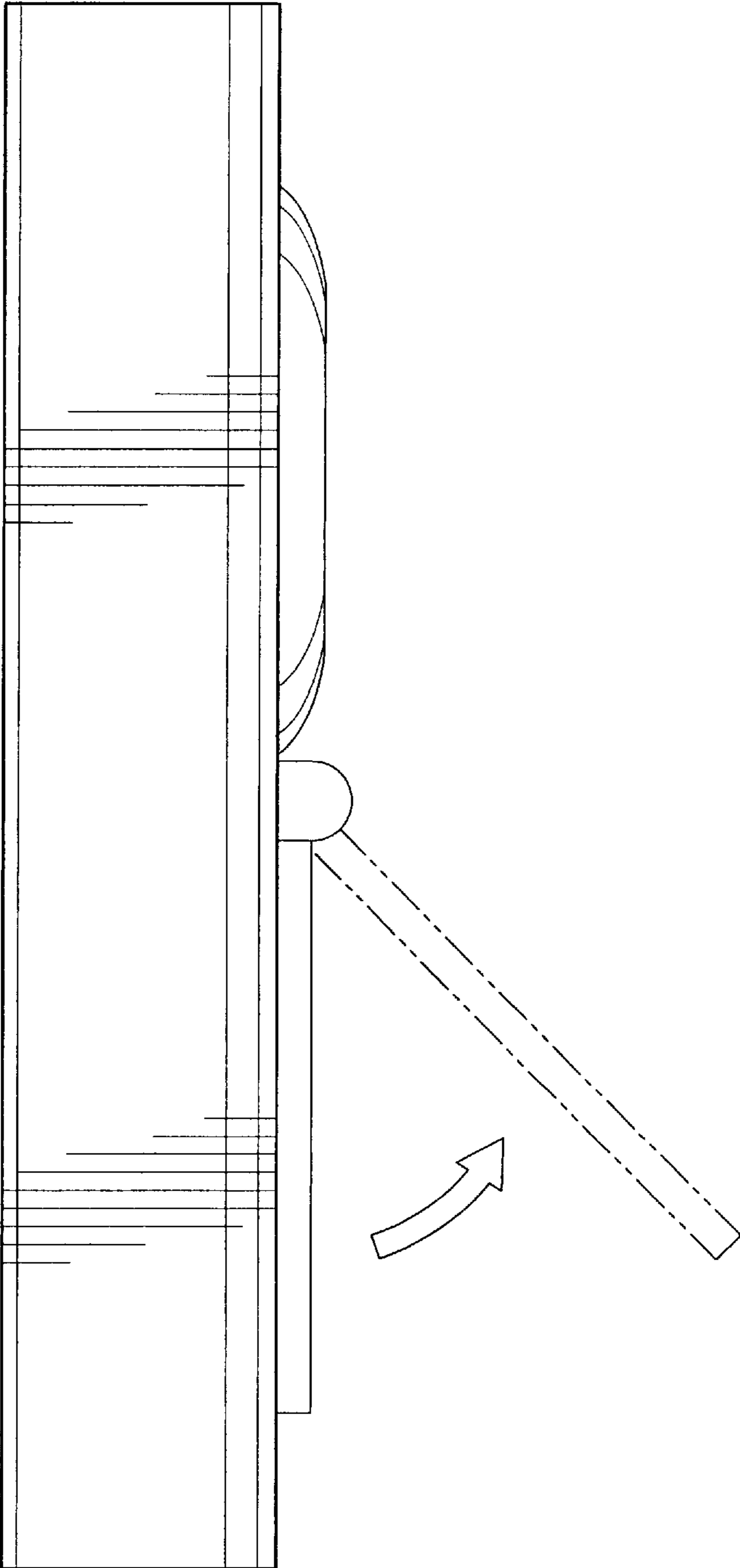


Fig-4