

US00D543611S

(12) **United States Design Patent**  
**Tateishi**

(10) **Patent No.:** **US D543,611 S**

(45) **Date of Patent:** **\*\* May 29, 2007**

- (54) **PORTABLE ELECTRIC HEATER**
- (75) Inventor: **Arthur Tateishi**, Toronto (CA)
- (73) Assignee: **Seabreeze Electric Corporation**,  
Toronto, On (CA)
- (\*\*) Term: **14 Years**
- (21) Appl. No.: **29/257,692**
- (22) Filed: **Apr. 10, 2006**
- (51) **LOC (8) Cl.** ..... **23-03**
- (52) **U.S. Cl.** ..... **D23/335**
- (58) **Field of Classification Search** ..... D23/332,  
D23/335-342; 392/365-369, 373-376, 407,  
392/422-425, 236; 415/208.2, 211.2  
See application file for complete search history.

- 2,936,109 A \* 5/1960 Copeland ..... 415/211.2
- D289,794 S \* 5/1987 Yabe ..... D23/335
- D346,855 S \* 5/1994 Chiu ..... D23/328
- D400,659 S \* 11/1998 Boyle et al. .... D23/337
- D456,066 S \* 4/2002 Ching ..... D23/335

\* cited by examiner

*Primary Examiner*—Louis S. Zarfes  
*Assistant Examiner*—Eric L. Goodman

(57) **CLAIM**

An ornamental design for a portable electric heater, as shown and described.

**DESCRIPTION**

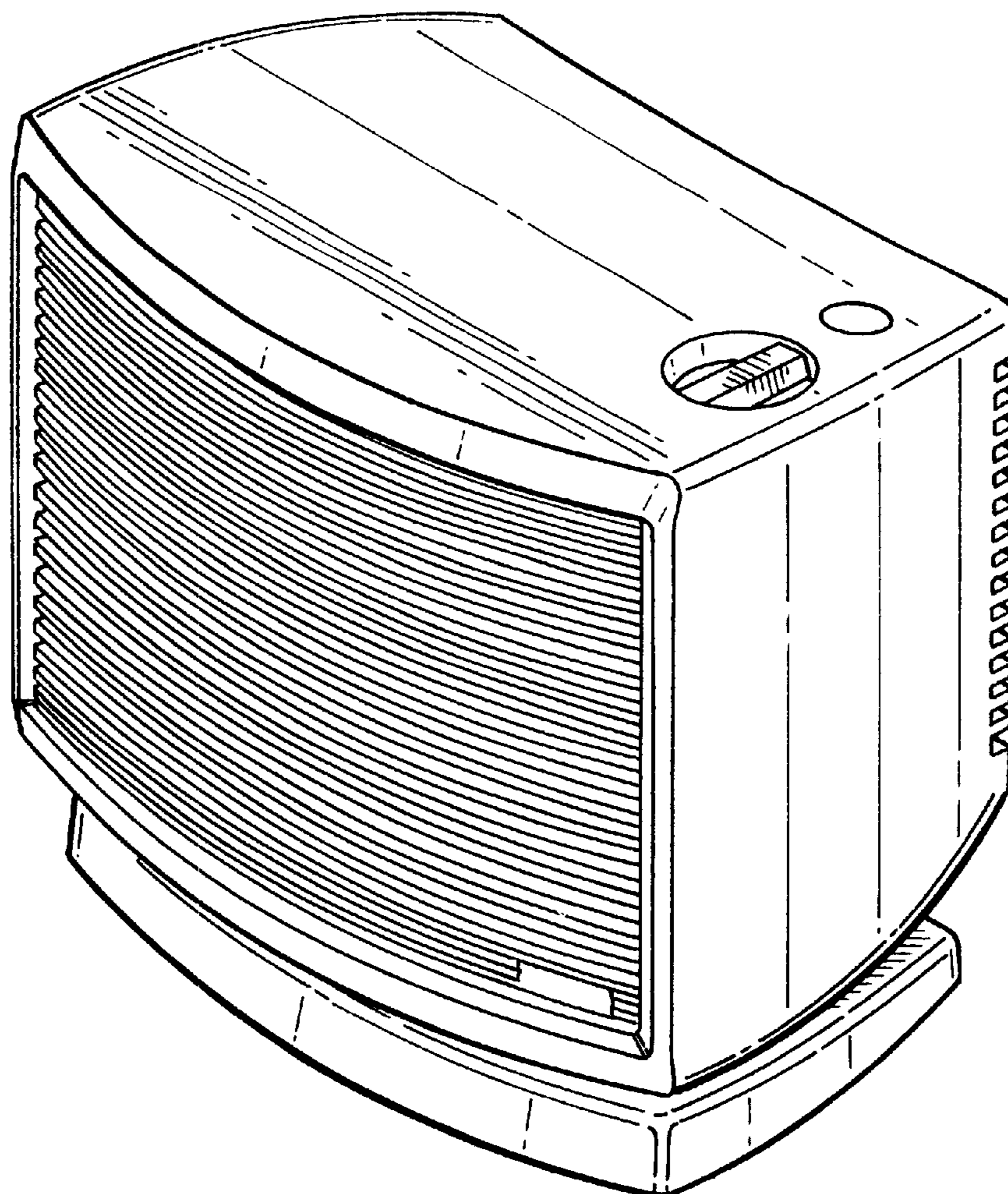
FIG. 1 is a perspective view of my portable electric heater embodying my new design;  
FIG. 2 is a front elevational view of my said heater;  
FIG. 3 is a side elevational view of my said heater;  
FIG. 4 is a top plan view of my said heater;  
FIG. 5 is a side elevational view of my said heater; and,  
FIG. 6 is a rear elevational view of my said heater.

(56) **References Cited**

**U.S. PATENT DOCUMENTS**

- D161,215 S \* 12/1950 Mcfarland ..... D23/370
- D167,759 S \* 9/1952 Bastian ..... D23/370

**1 Claim, 3 Drawing Sheets**



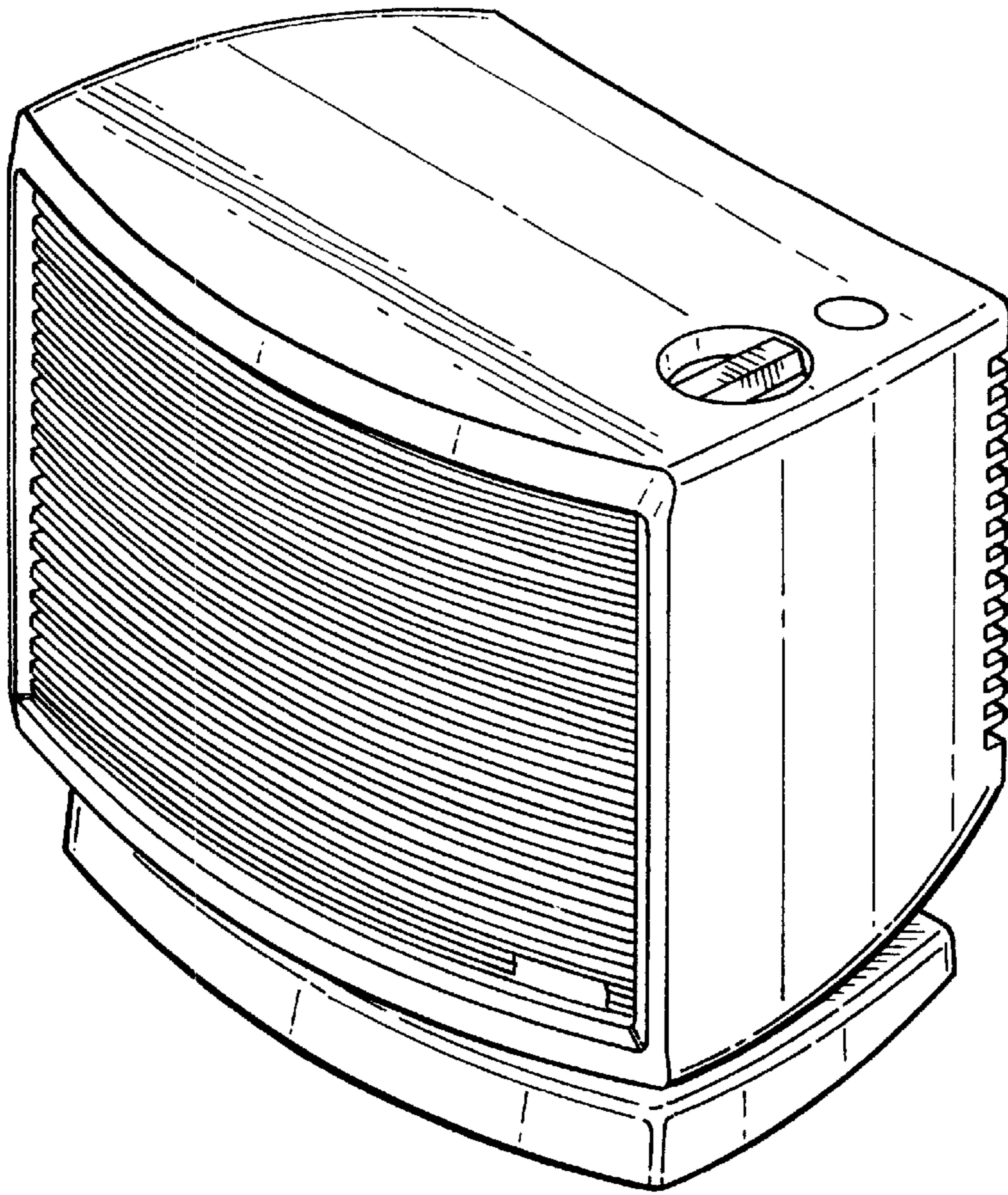


FIG. 1.

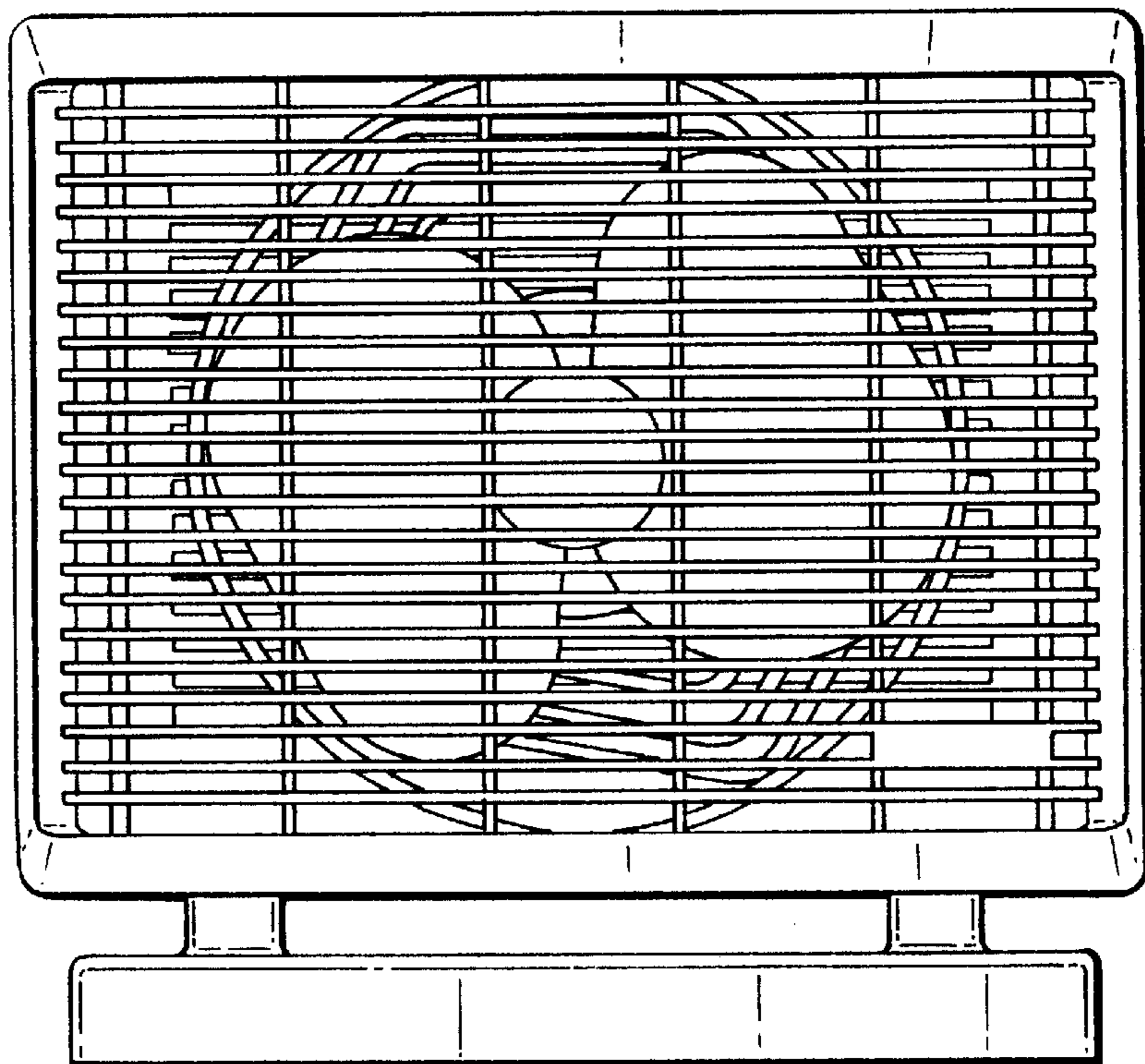


FIG. 2.



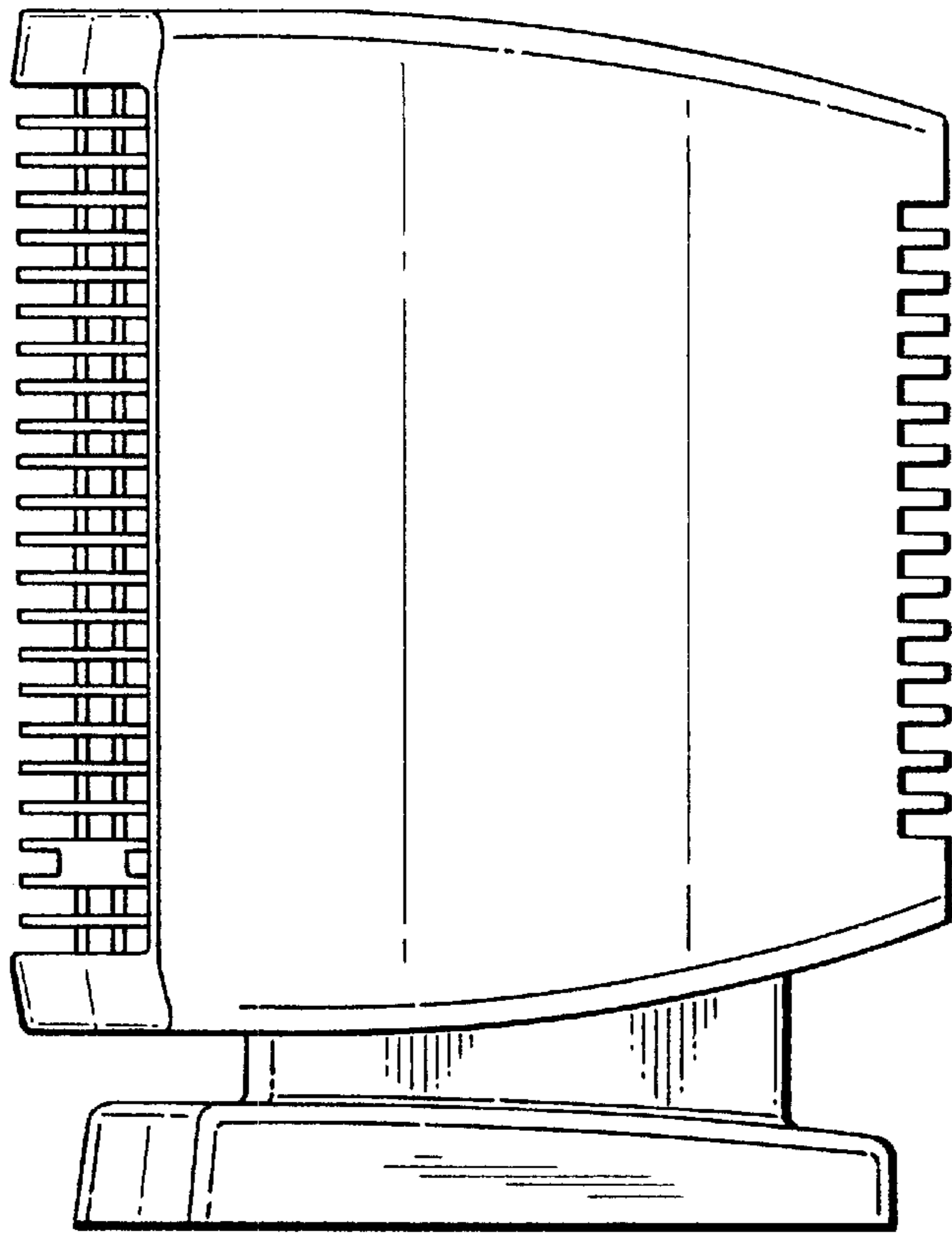


FIG. 3.

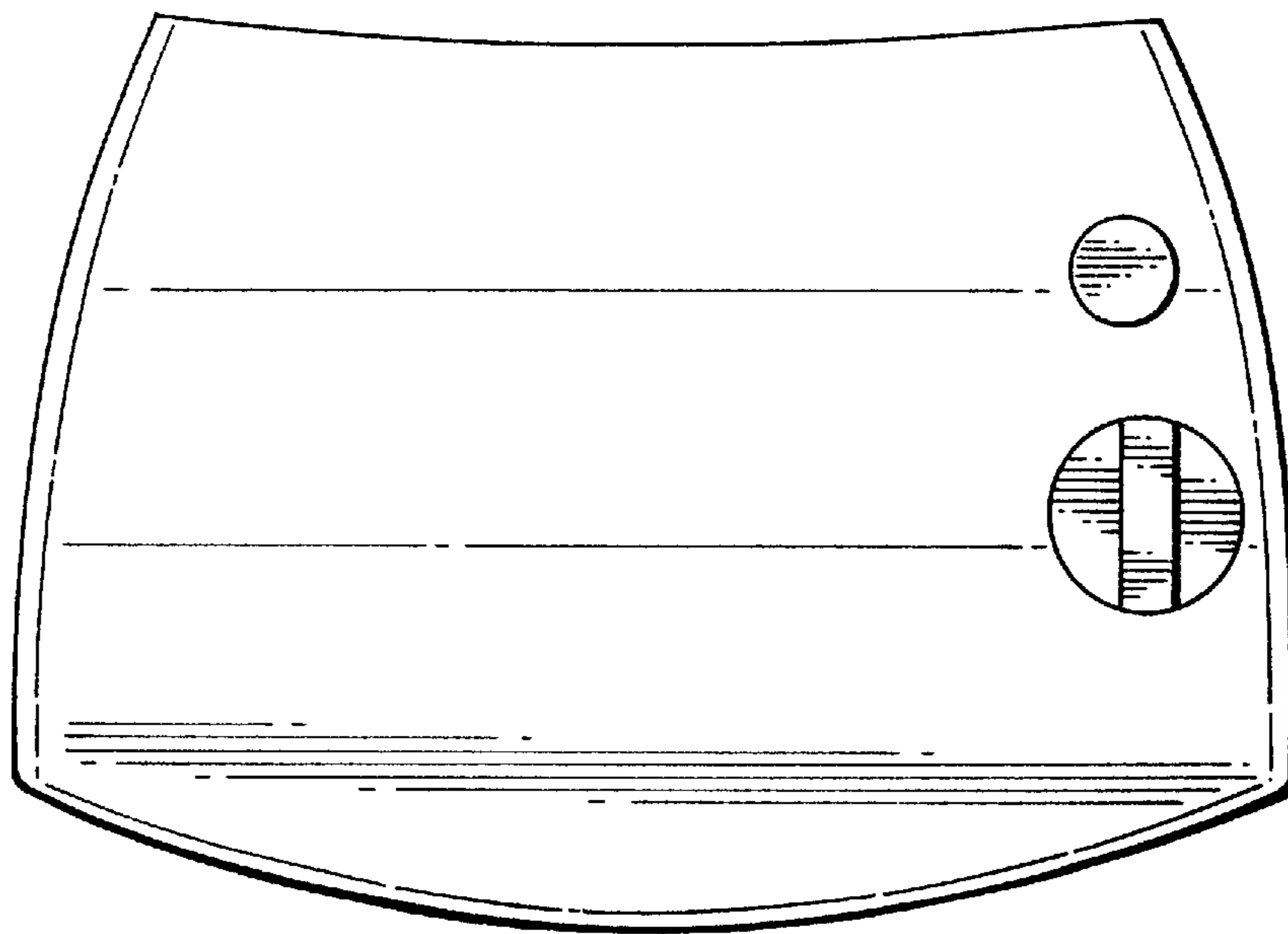


FIG. 4.

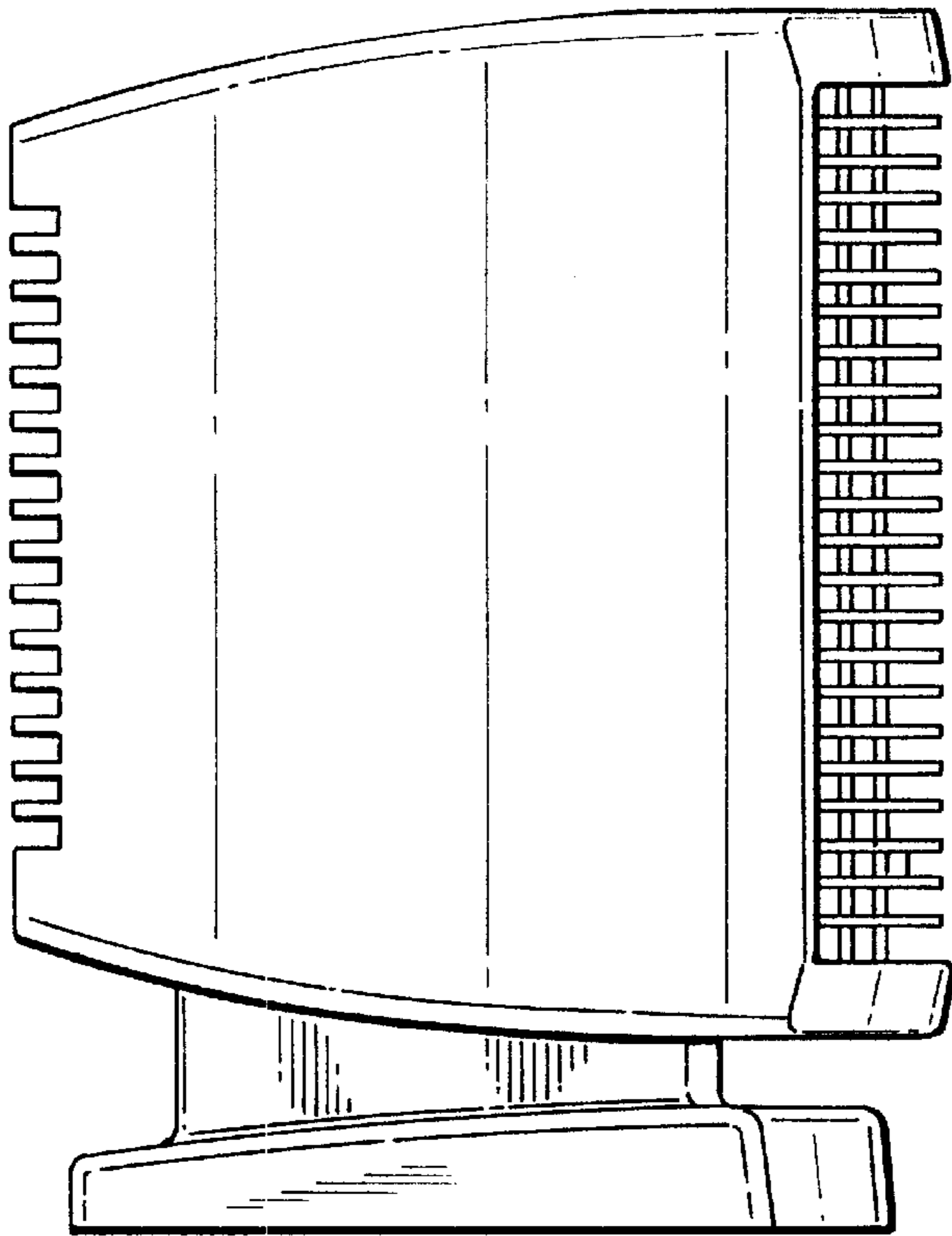


FIG. 5.

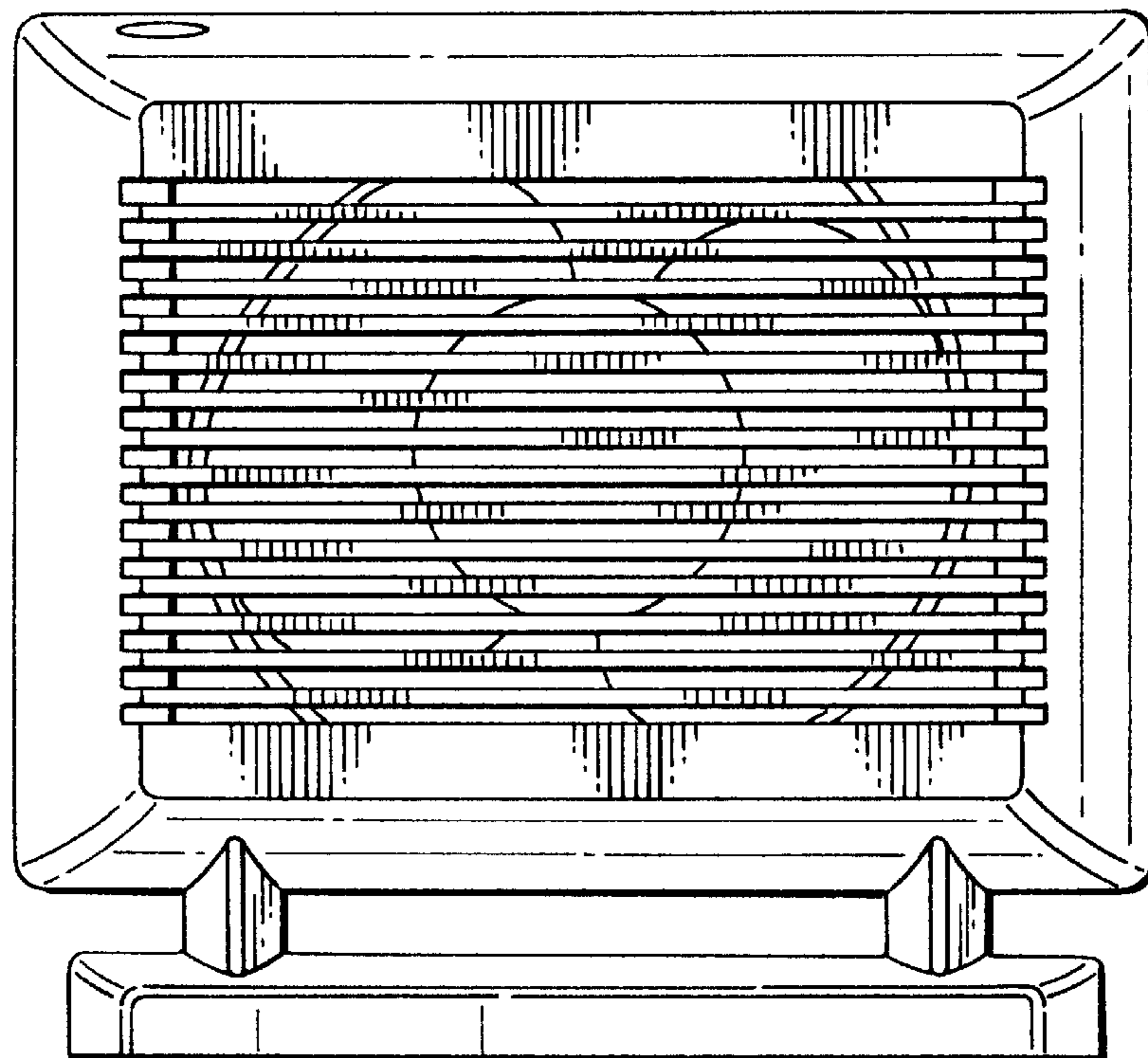


FIG. 6.