

US00D543610S

(12) **United States Design Patent** (10) **Patent No.:** **US D543,610 S**
Catron (45) **Date of Patent:** **** May 29, 2007**

(54) **HEATING ELEMENT**

(75) Inventor: **Mark Allen Catron**, Atlanta, GA (US)

(73) Assignee: **Irwin Industrial Tool Company**,
Huntersville, NC (US)

(**) Term: **14 Years**

(21) Appl. No.: **29/238,703**

(22) Filed: **Sep. 20, 2005**

(51) **LOC (8) Cl.** **23-02**

(52) **U.S. Cl.** **D23/332**

(58) **Field of Classification Search** D23/328,
D23/332, 336, 342; 126/9 R, 92 R, 92 B,
126/92 AC; 362/92, 217, 253; 431/331, 344
See application file for complete search history.

(56) **References Cited**

U.S. PATENT DOCUMENTS

1,418,667	A	6/1922	Muir	
2,474,169	A	6/1949	Shelton	
2,861,596	A	11/1958	Ipsen	
2,950,713	A	8/1960	Sterick	
3,503,379	A	3/1970	Kuhn et al	
4,063,876	A	12/1977	Schweiss	
4,529,123	A	7/1985	Johnson	
5,626,125	A	5/1997	Eaves	
D382,951	S *	8/1997	Deines et al. D23/336
6,142,143	A	11/2000	Martin	
6,192,878	B1	2/2001	Waters	
D450,816	S	11/2001	Bilotti	
6,470,877	B1	10/2002	Waters	
D466,993	S	12/2002	Chang	
D470,232	S *	2/2003	Yeh D23/332

(Continued)

FOREIGN PATENT DOCUMENTS

FR	1132303	3/1957
JP	63-251726	10/1988
JP	11-51376	2/1999
JP	11-63431	3/1999

OTHER PUBLICATIONS

U.S. Appl. No. 29/227,718, filed Apr. 14, 2005, Cunningham et al.

“Focused—Blue Rhino Corporation Annual Report 2001”, published by Blue Rhino Corporation, 2001, two pages.

“Outdoor Tabletop Propane Heaters Recalled by Brinkman,” webpage regarding Brinkmann product made publicly available by U.S. Consumer Product Safety Commission at <http://www.cpsc.gov/cpsc/pub/prhtml02/02181.html>, on Jul. 9, 2002, on page.

“Aug. 2002 SBU Meeting”, distributed by Newell Rubbermaid, Aug. 2002, one page.

“The 150000 Series,” webpage made publicly available by Uniflame at http://www.uniflame.com/patio_heaters/150000.html, on Oct. 30, 2002 one page.

“The 160000 Series,” webpage made publicly available by Uniflame at http://www.uniflame.com/patio_heaters/160000.html, on Oct. 30, 2002, one page.

“The 220000 Series,” webpage made publicly available by Uniflame at http://www.uniflame.com/patio_heaters/220000.html, on Oct. 30, 2002, one page.

(Continued)

Primary Examiner—Brian N Vinson

(74) *Attorney, Agent, or Firm*—Dennis J. Williamson; Moore & Van Allen PLLC

(57) **CLAIM**

I claim the ornamental design for a heating element, as shown and described.

DESCRIPTION

FIG. 1 is a perspective view of a heating element showing my new design;

FIG. 2 is a left side showing my new design;

FIG. 3 is a right side view showing my new design;

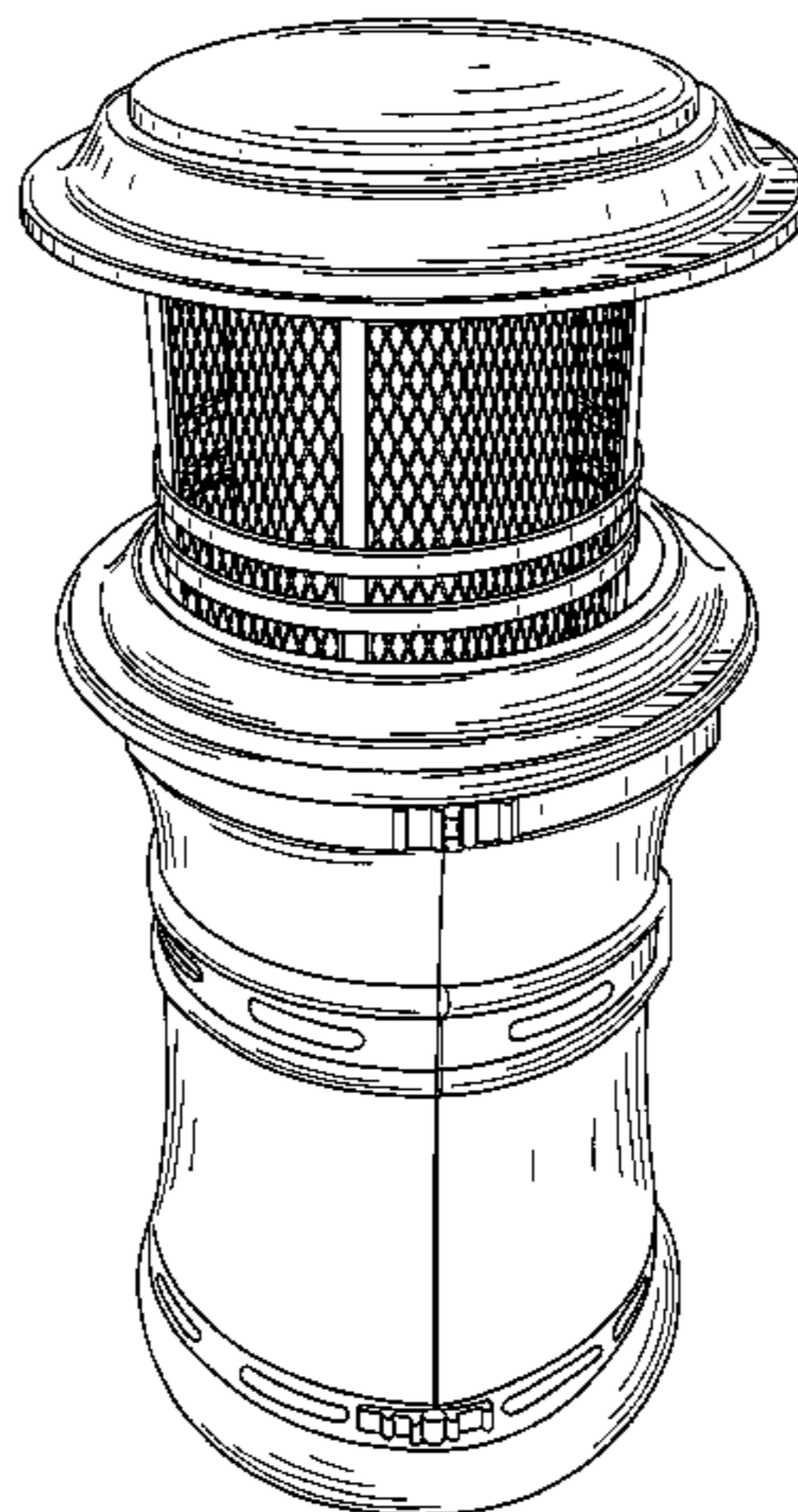
FIG. 4 is a front view showing my new design;

FIG. 5 is a back view showing my new design;

FIG. 6 is a top view of my design; and

FIG. 7 is a bottom view of my design.

1 Claim, 6 Drawing Sheets



U.S. PATENT DOCUMENTS

D471,622	S	3/2003	Bossler	
D471,967	S	3/2003	Bossler	
D472,623	S	4/2003	Bossler	
D474,532	S	5/2003	Chan et al.	
6,619,281	B2	9/2003	Resmo et al.	
6,650,830	B2	11/2003	Kerec	
6,651,647	B2	11/2003	Waters	
D486,211	S	* 2/2004	Chan et al. D23/332
D486,567	S	2/2004	Sakai	
D489,439	S	5/2004	Brunner et al.	
6,736,132	B2	5/2004	Schlosser et al.	
D509,291	S	9/2005	Cunningham et al.	
2003/0012563	A1	1/2003	Neugebauer et al.	
2003/0034026	A1	2/2003	McCalley et al.	
2003/0190573	A1	10/2003	Keem	
2004/0011346	A1	1/2004	Sakai	
2004/0033461	A1	2/2004	Hart et al.	

OTHER PUBLICATIONS

“The 230000 Series,” webpage made publicly available by Uniflame at http://www.uniflame.com/patio_heaters/230000.html, on Oct. 30, 2002, one page.

“The 80000 Series,” webpage made publicly available by Uniflame at http://www.uniflame.com/patio_heaters/80000.html, on Oct. 30, 2002, one page.

“The 60000 Series,” webpage made publicly available by Uniflame at http://www.uniflame.com/patio_heaters/60000.html, on Oct. 30, 2002, one page.

“The 90000 Series,” webpage made publicly available by Uniflame at http://www.uniflame.com/patio_heaters/90000.html, on Oct. 30, 2002, one page.

“Cast Pewter Table Patio Heater,” webpage regarding Endless Summer product made publicly available by Yardiac.com at <http://www2.yardiac.com/long.asp?tgs=67...19064375162&item id=3596&extraDetails=>, on Oct. 30, 2002, two pages.

“Blue Rhino Endless Summer Patio Heaters,” webpage regarding Blue Rhino product made publicly available by Yardiac.com at http://www2.yardiac.com/show_category.asp?category=569&promo=1s-bluerhino, on Oct. 20, 2002, one page.

“Green Table Top Patio Heater,” webpage regarding Endless Summer product made publicly available by Yardiac.com at <http://www2.yardiac.com/long.asp?tgs=679916:26389130...190643751621&item id = 313>, on Oct. 30, 2002, one page.

“Green Table Top Patio Heater,” webpage regarding Endless Summer product made publicly available by Yardiac.com at <http://www2.yardiac.com/long.asp?tgs=67...190643751621&item id = 3138&extraDetails>, on Oct. 30, 2002, two page.

“Bronze Table Top Patio Heater,” webpage regarding Endless Summer product made publicly available by Yardiac.com at <http://www2.yardiac.com/long.asp?tgs=679916:26389130...190643751621&item id=313>, on Oct. 30, 2002, one page.

“Bronze Table Top Patio Heater,” webpage regarding Endless Summer product made publicly available by Yardiac.com at <http://www2.yardiac.com/long.asp?tgs=67...190643751621&item id=3139&extraDetails>, on Oct. 30, 2002, two page.

“Propane Patio Heaters from the Heater Shop Dot Com,” webpage regarding three models made publicly available by heatershop.com at http://heatershop.com/propane_patio_heaters.html, on Oct. 31, 2002, two pages.

“Easy Angle Patio Heater,” webpage regarding patio heater made publicly available by desatech.com at <http://www.desatech.com/outdoor/products.asp?product=patio>, on Oct. 31, 2002, one page.

“Dayva Propane Outdoor Patio Heaters,” webpage regarding Dayva patio heater made publicly available by Buy-Choice.com at <http://www.buychoice.com/.../40823.Dayva%20Natural%20Gas%20Patio%20HeatersMX>, on Oct. 31, 2002, one page.

“Premiere Outdoor Heaters,” webpage regarding Dayva models made publicly available by dayva.com at http://dayva.com/outdoor_heaters.html, on Oct. 31, 2002, two pages.

“The StrataMall,” webpage regarding four models made publicly available by stratamall.com at <http://www.stratamall.com/Products.asp?Cat!D=18>, on Oct. 31, 2002, two pages.

“Outdoor Fireplaces,” webpage regarding Coleman product made publicly available by Coleman, website unknown, on Oct. 31, 2002, one page.

* cited by examiner

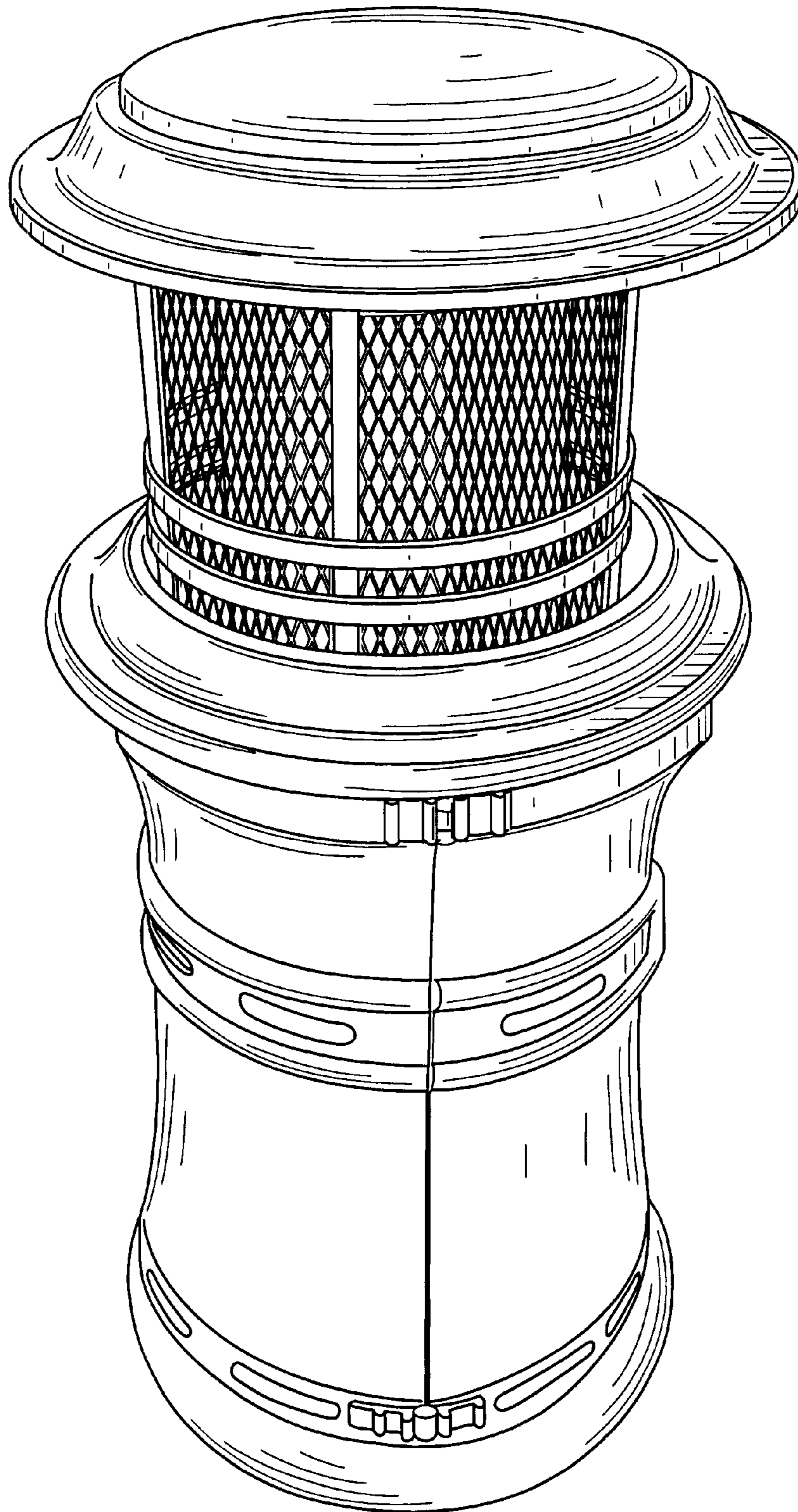


FIG. 1

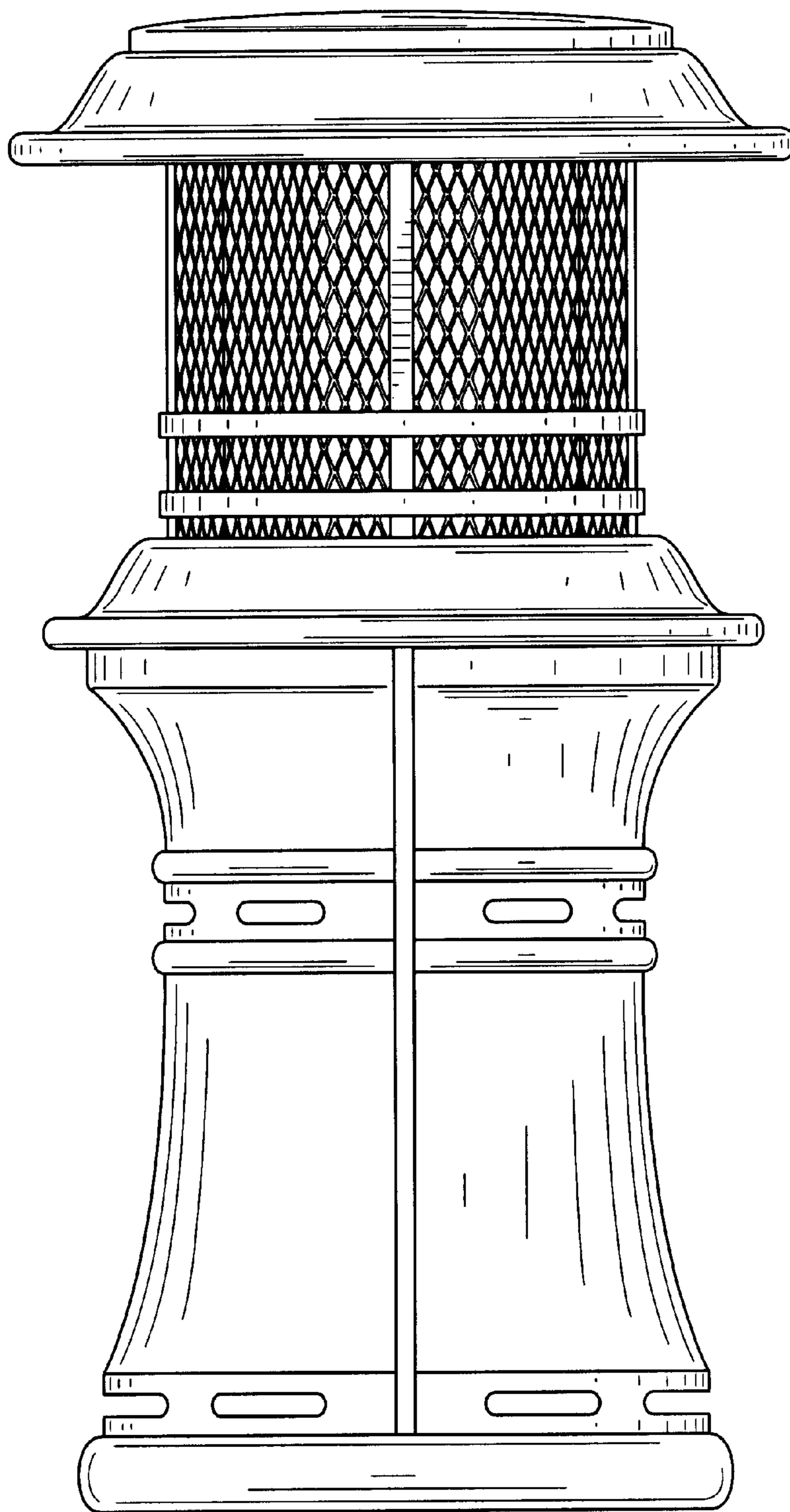


FIG. 2

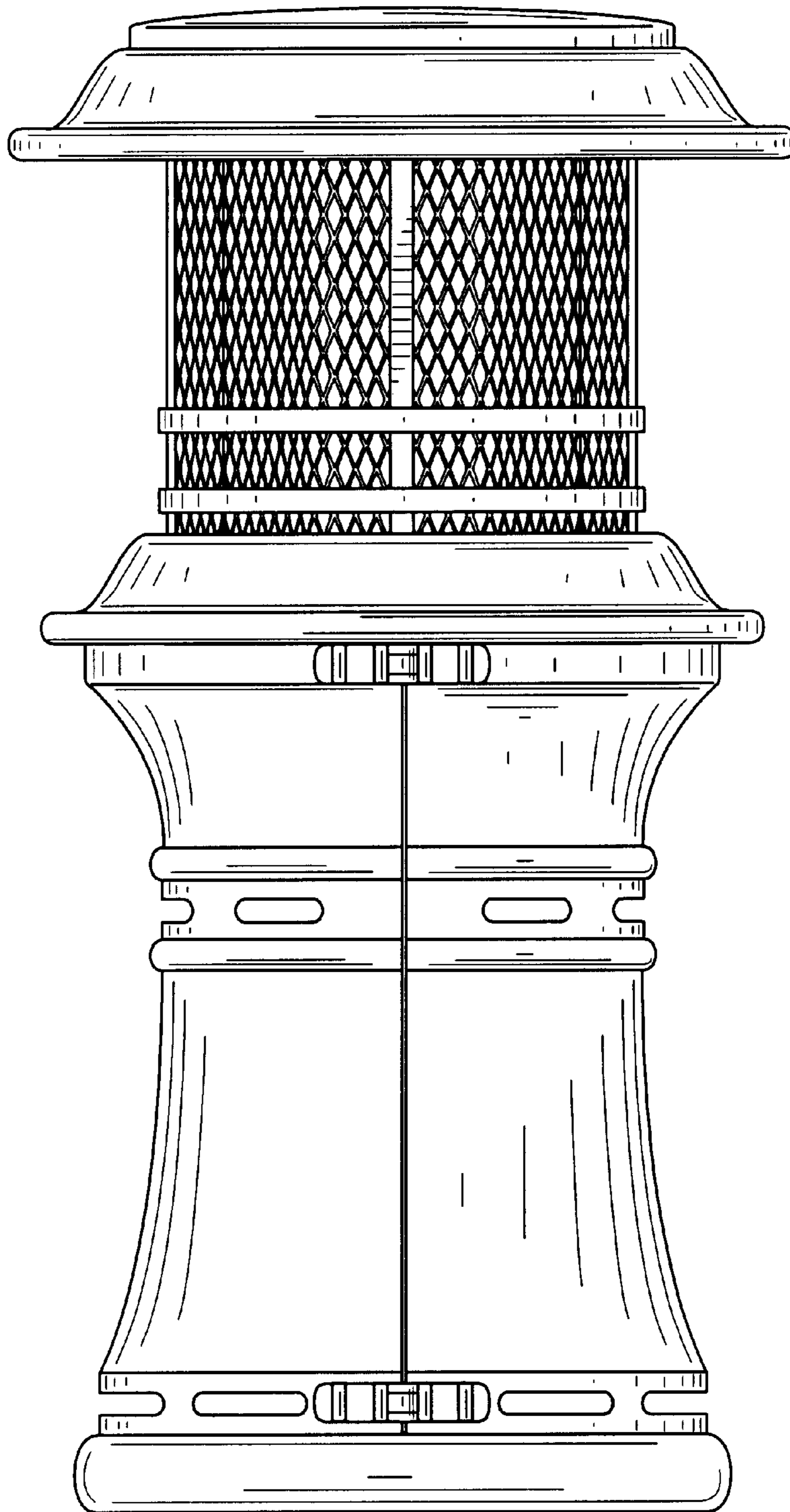


FIG. 3

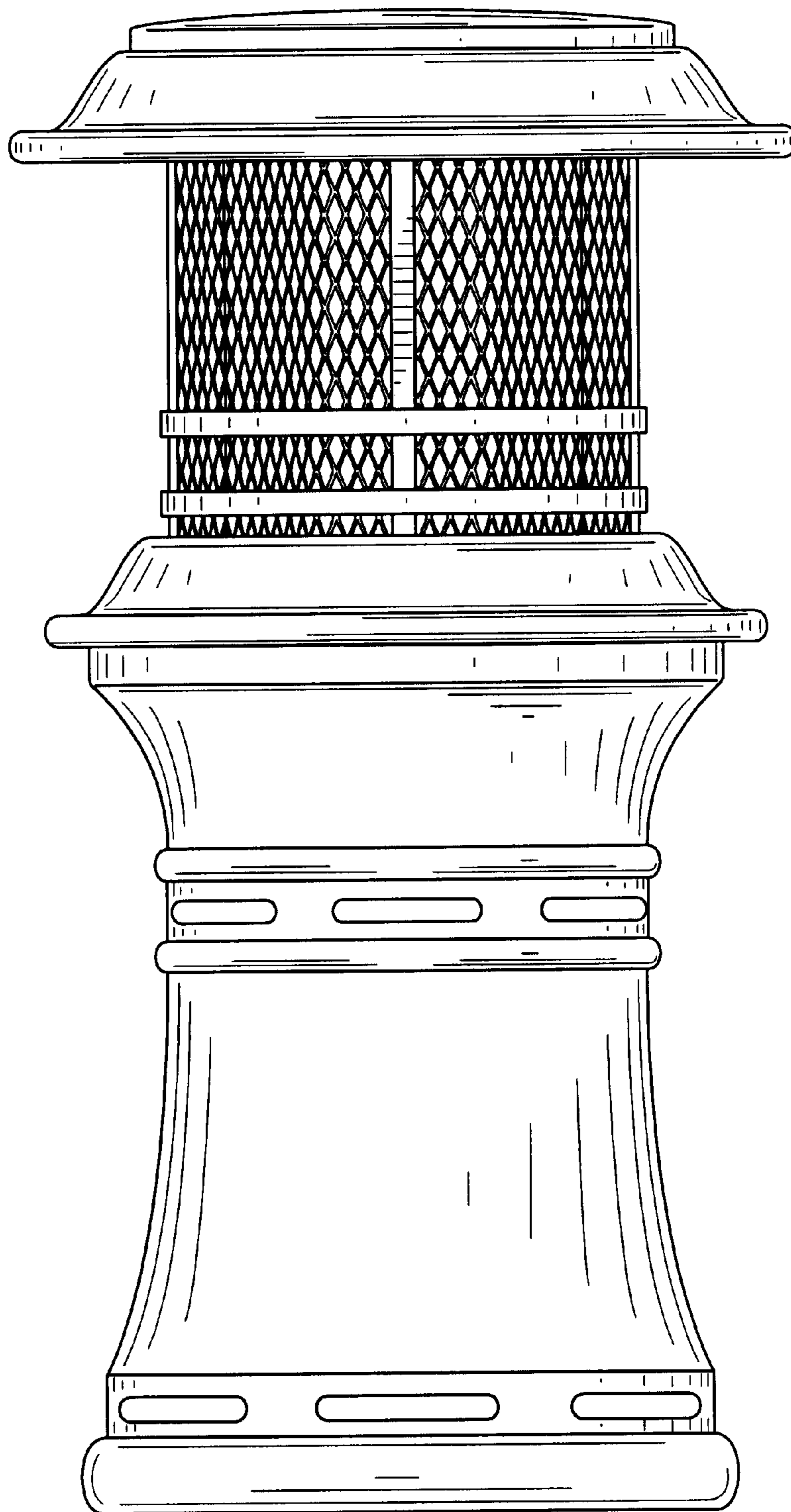


FIG. 4

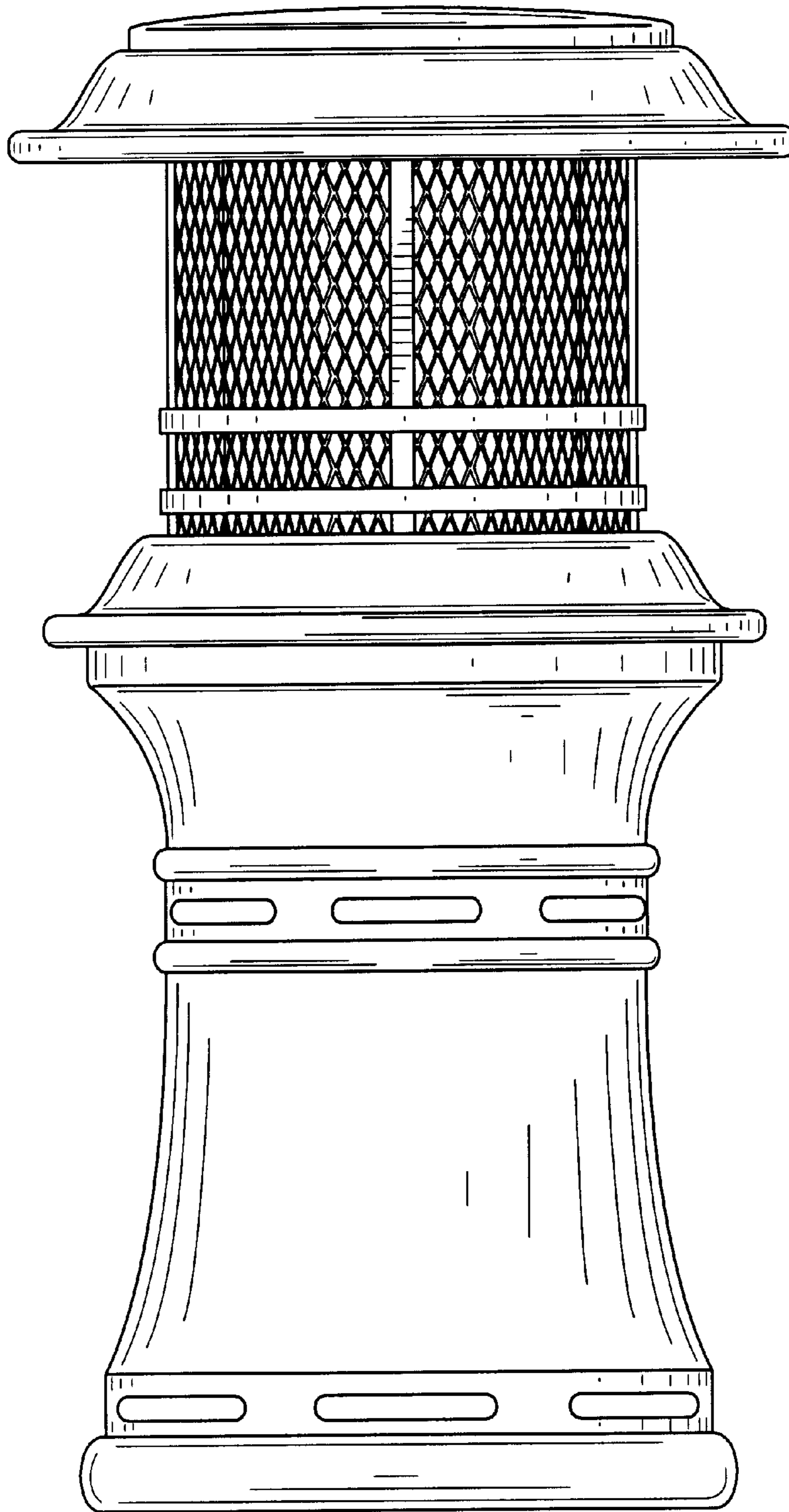


FIG. 5

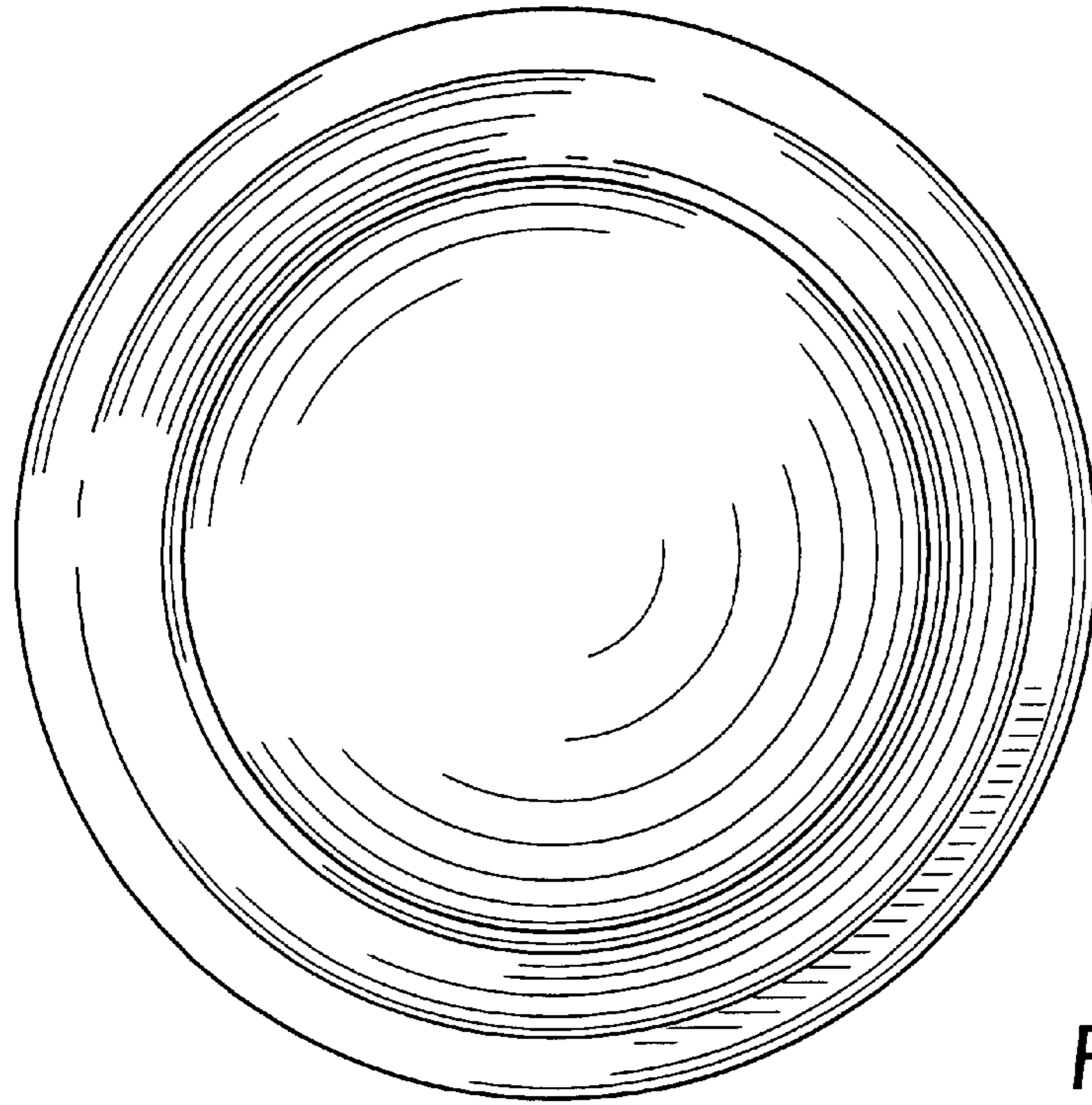


FIG. 6

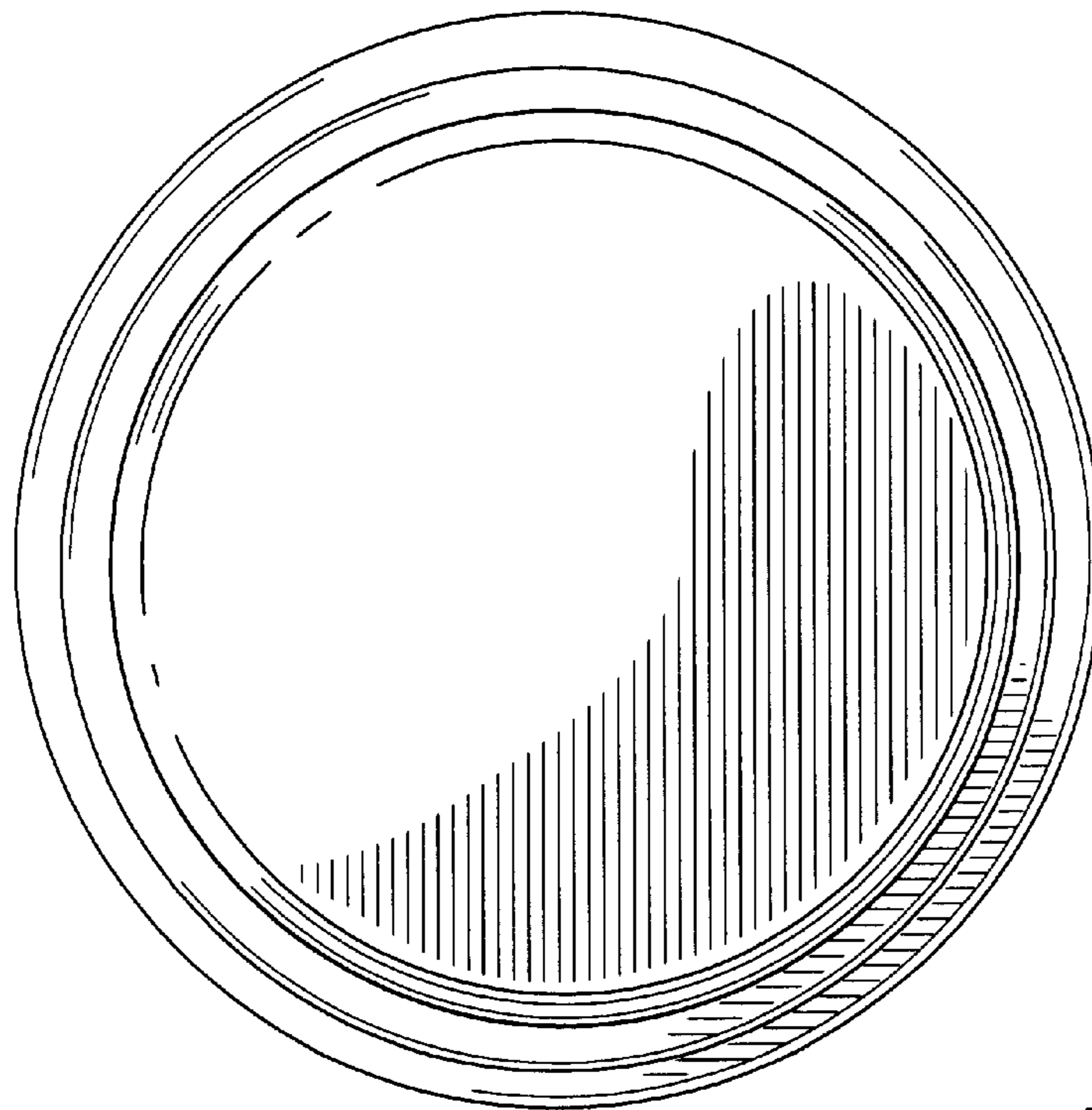


FIG. 7