



US00D543608S

(12) **United States Design Patent**  
**O'Brien et al.**

(10) **Patent No.:** **US D543,608 S**

(45) **Date of Patent:** **\*\* May 29, 2007**

(54) **SHOWER DISPENSER**

D446,841 S \* 8/2001 Silva ..... D23/209

(76) Inventors: **Paul W. O'Brien**, 917 SR 92N,  
Tunkhannock, PA (US) 18657; **William**  
**Daniel Reidsema**, P.O. Box 138, South  
Montrose, PA (US) 18843

\* cited by examiner

*Primary Examiner*—Robin Webster

(74) *Attorney, Agent, or Firm*—Charles A. Wilkinson;  
Clinton H. Wilkinson

(\*\*) Term: **14 Years**

(57) **CLAIM**

(21) Appl. No.: **29/242,429**

We claim the ornamental design for a shower dispenser, as shown and described.

(22) Filed: **Nov. 9, 2005**

**DESCRIPTION**

(51) **LOC (8) Cl.** ..... **23-01**

(52) **U.S. Cl.** ..... **D23/228**

(58) **Field of Classification Search** ..... D23/213,  
D23/229, 230, 228; 239/282-3, 460, 449;  
4/615, 525; D6/542

See application file for complete search history.

FIG. 1 is an elevation view showing the front portion of the shower dispenser of the present invention;

FIG. 2 is an elevation view showing the back portion thereof;

FIG. 3 is an elevation view showing the right side thereof;

FIG. 4 is an elevation view showing the left side thereof;

FIG. 5 is a top view thereof;

FIG. 6 is a bottom view thereof; and,

FIG. 7 is an isometric view thereof.

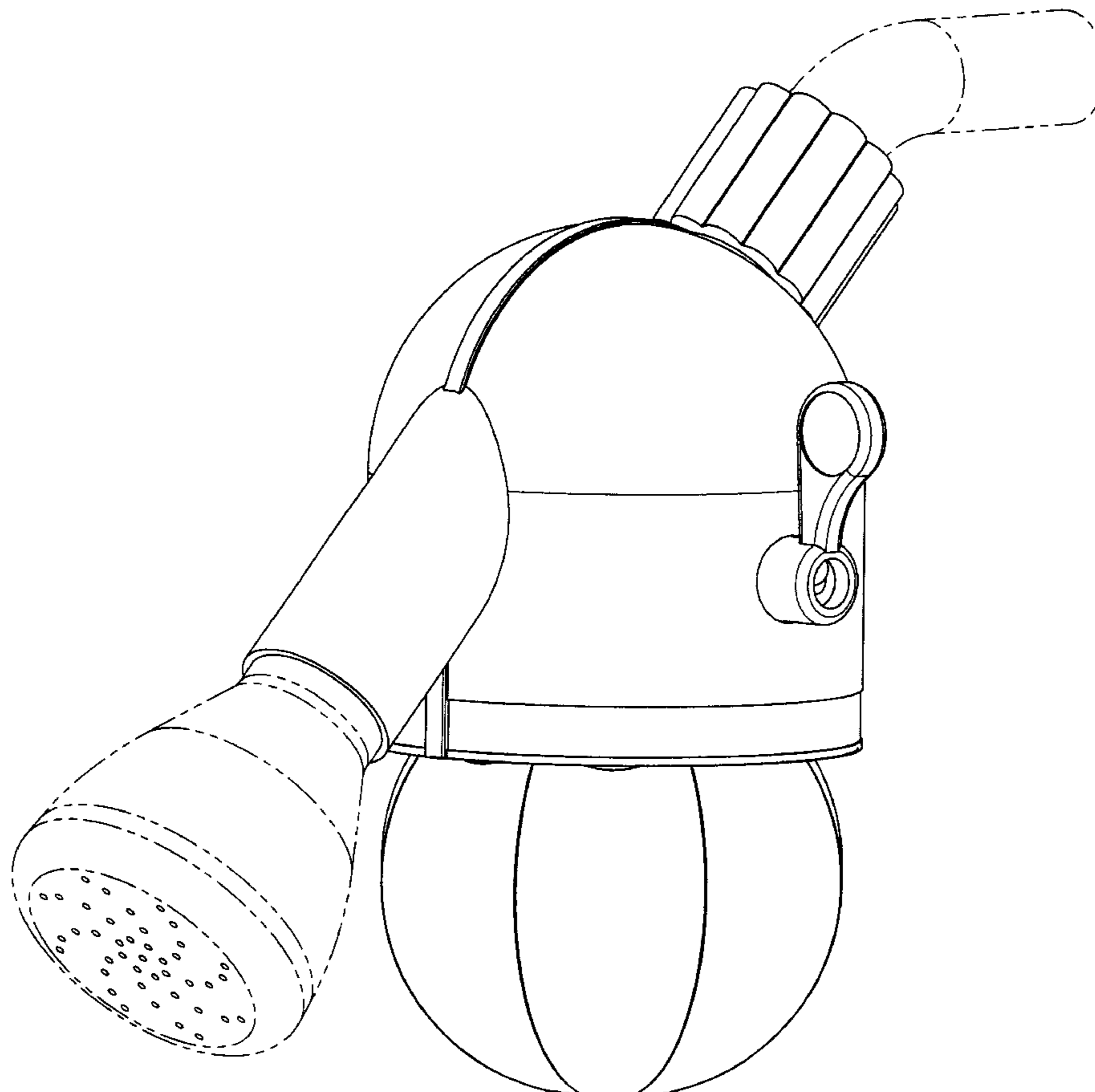
The portions shown in dashed lines in the figures are included for illustrative purposes only and form no part of the subject design.

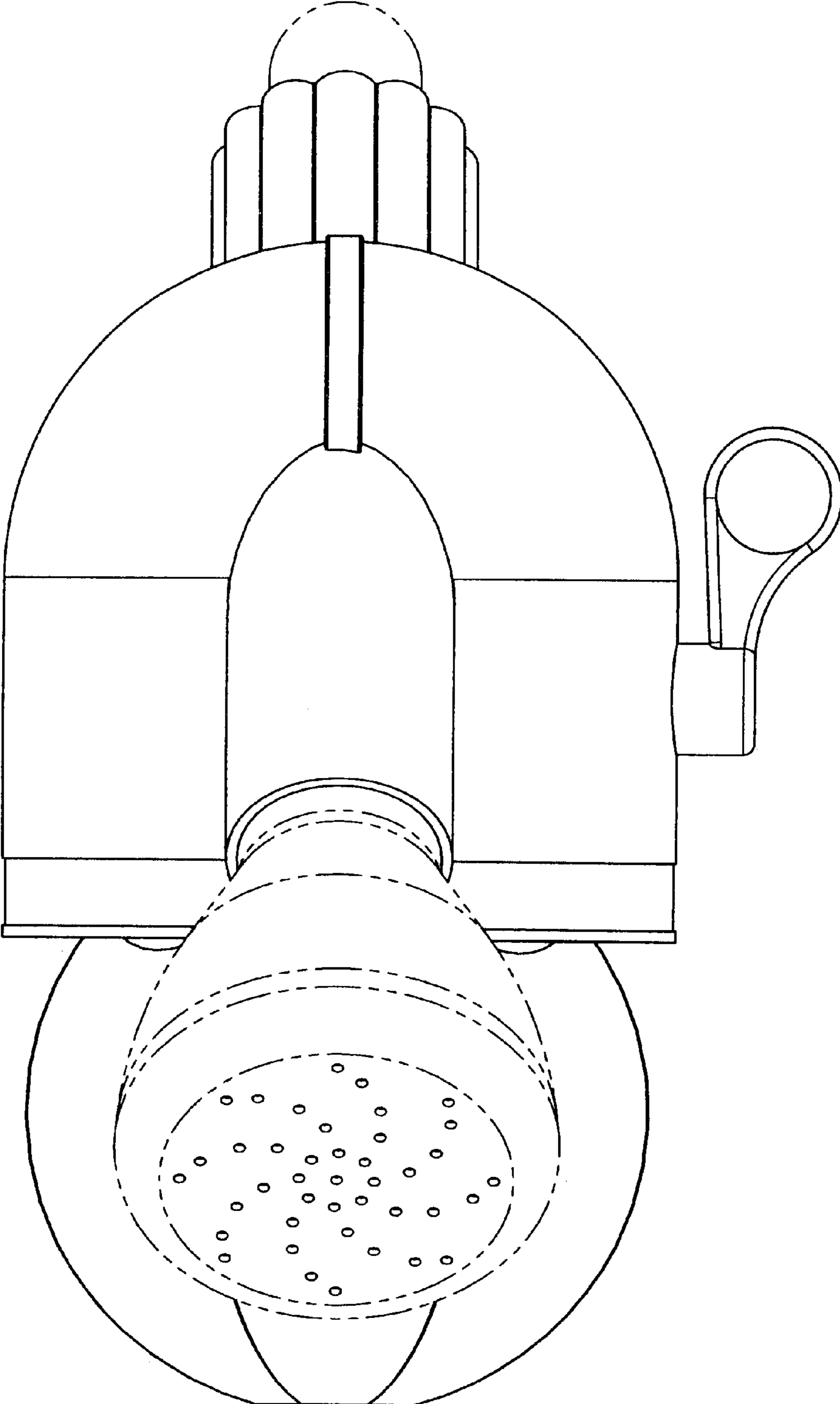
(56) **References Cited**

U.S. PATENT DOCUMENTS

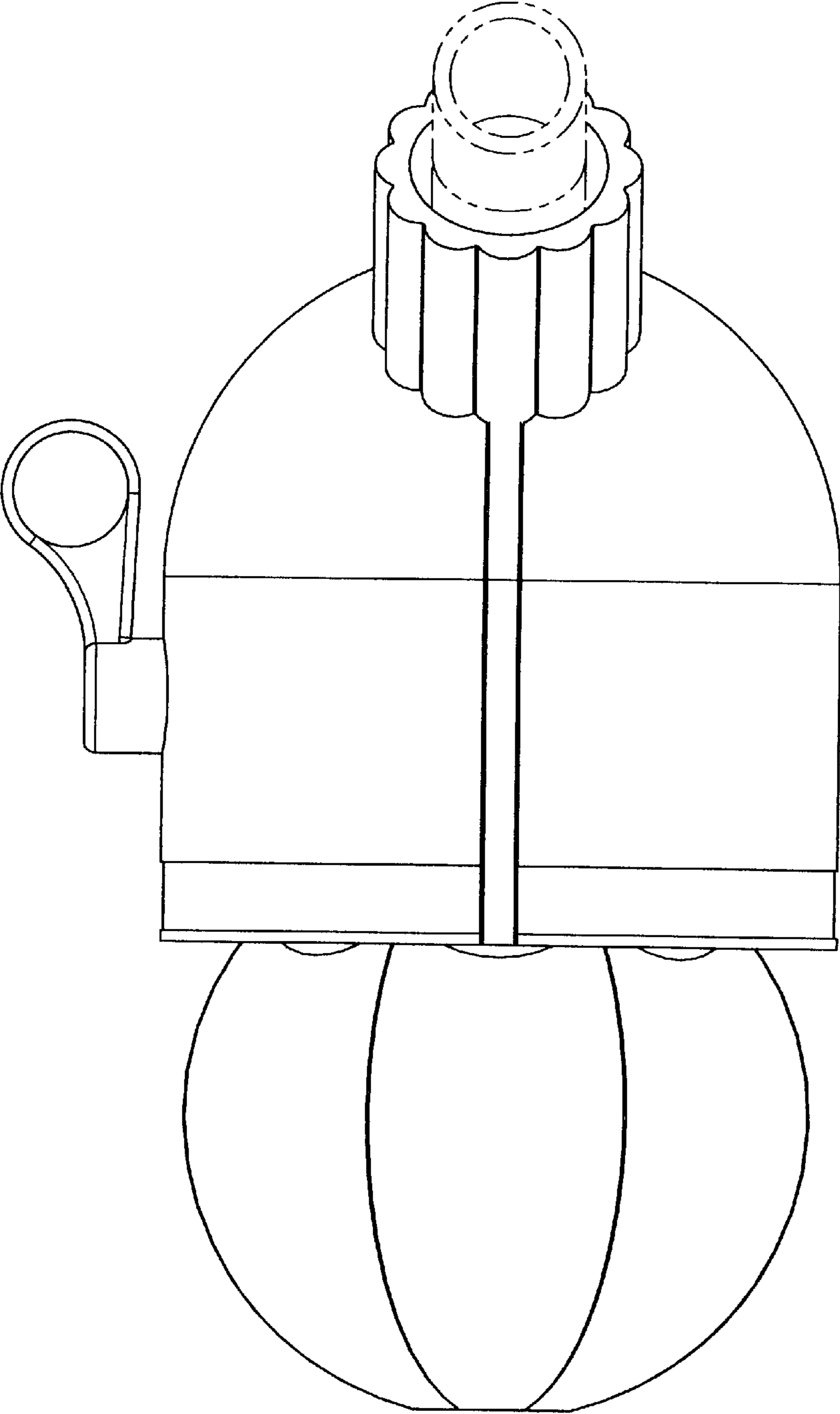
4,933,080 A \* 6/1990 Rundzaitis et al. .... 210/232  
D413,371 S \* 8/1999 Douglas ..... D23/209  
D417,904 S \* 12/1999 Douglas ..... D23/228  
6,006,374 A \* 12/1999 Winnett et al. .... 4/525

**1 Claim, 7 Drawing Sheets**





**FIGURE 1**



**FIGURE 2**

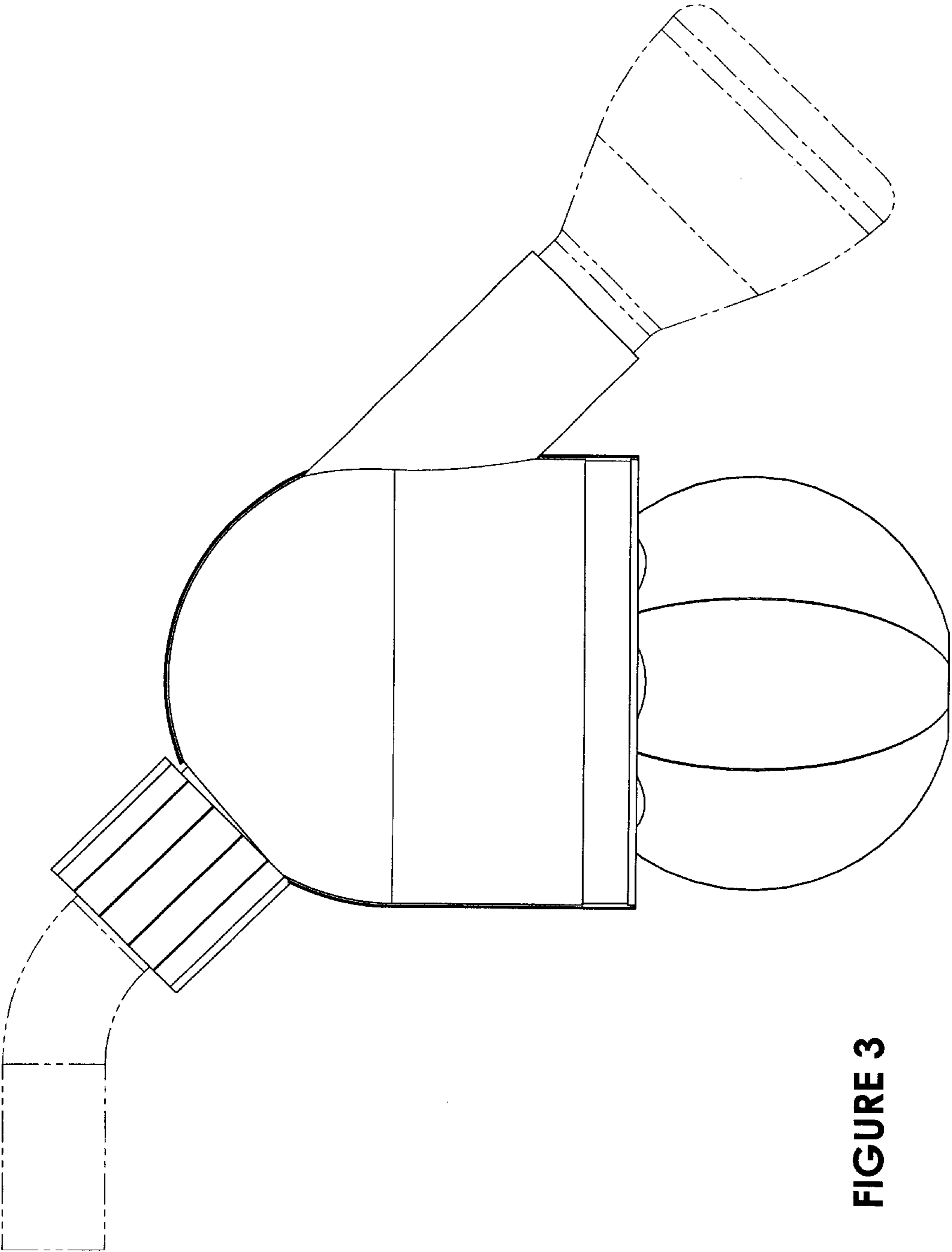


FIGURE 3

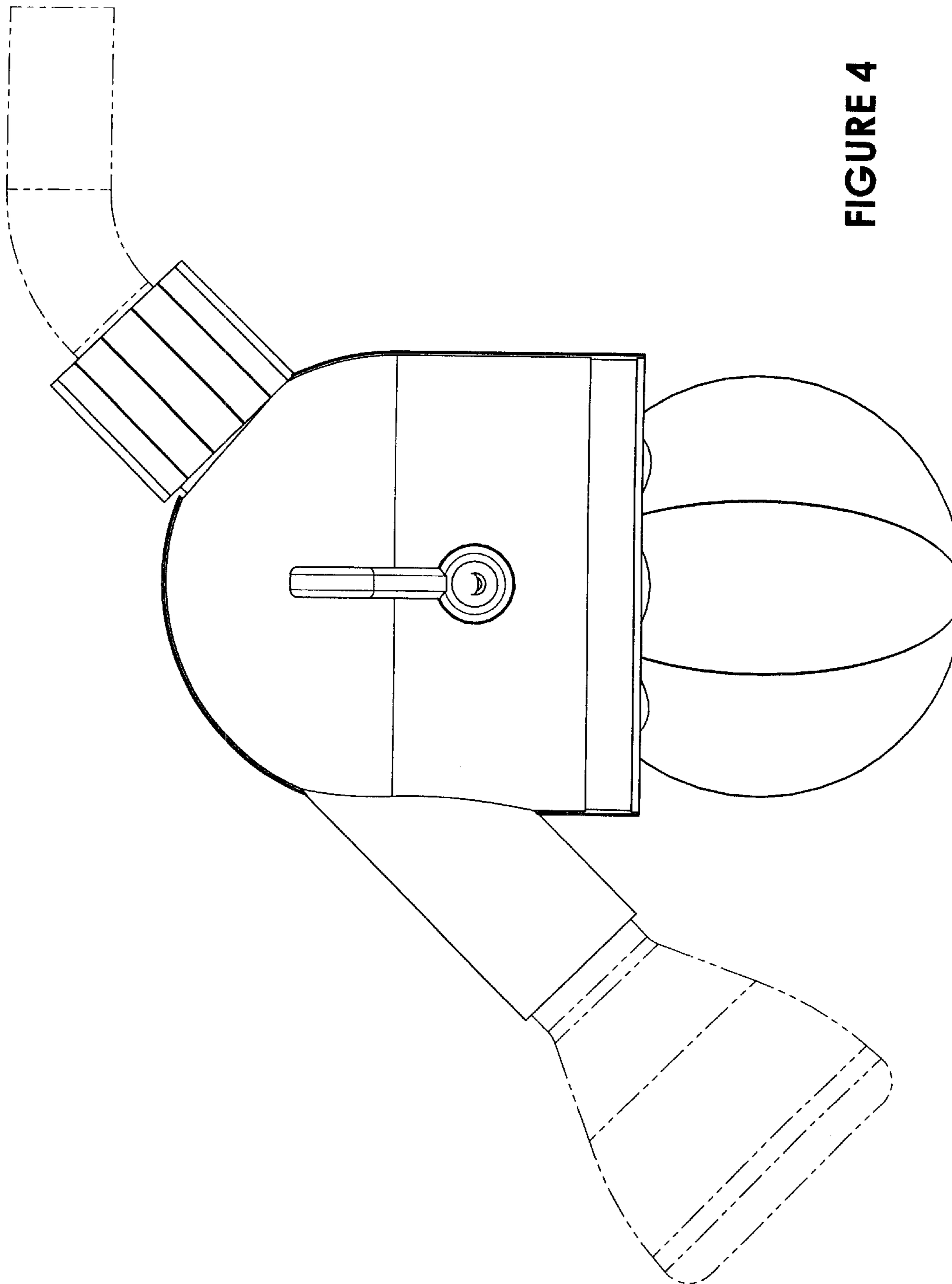


FIGURE 4

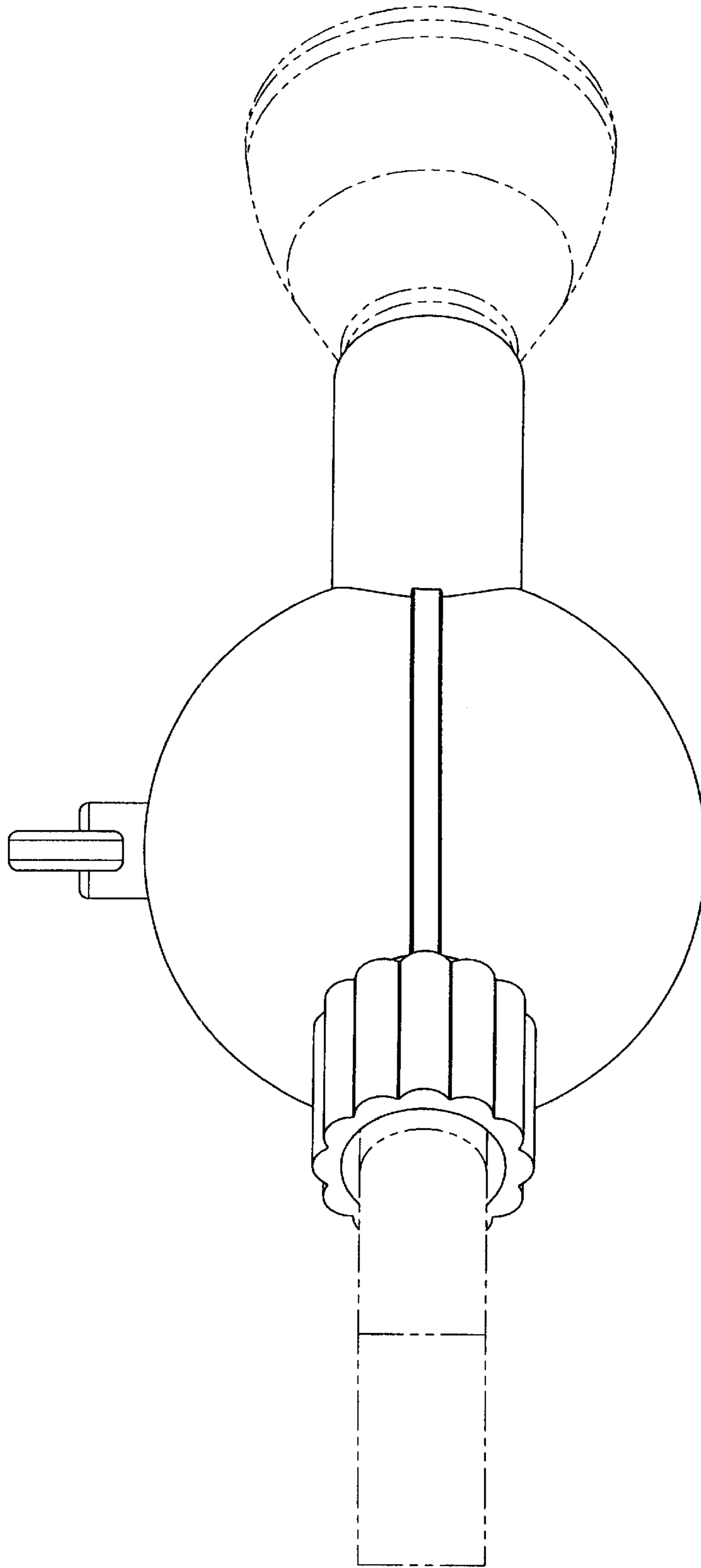


FIGURE 5

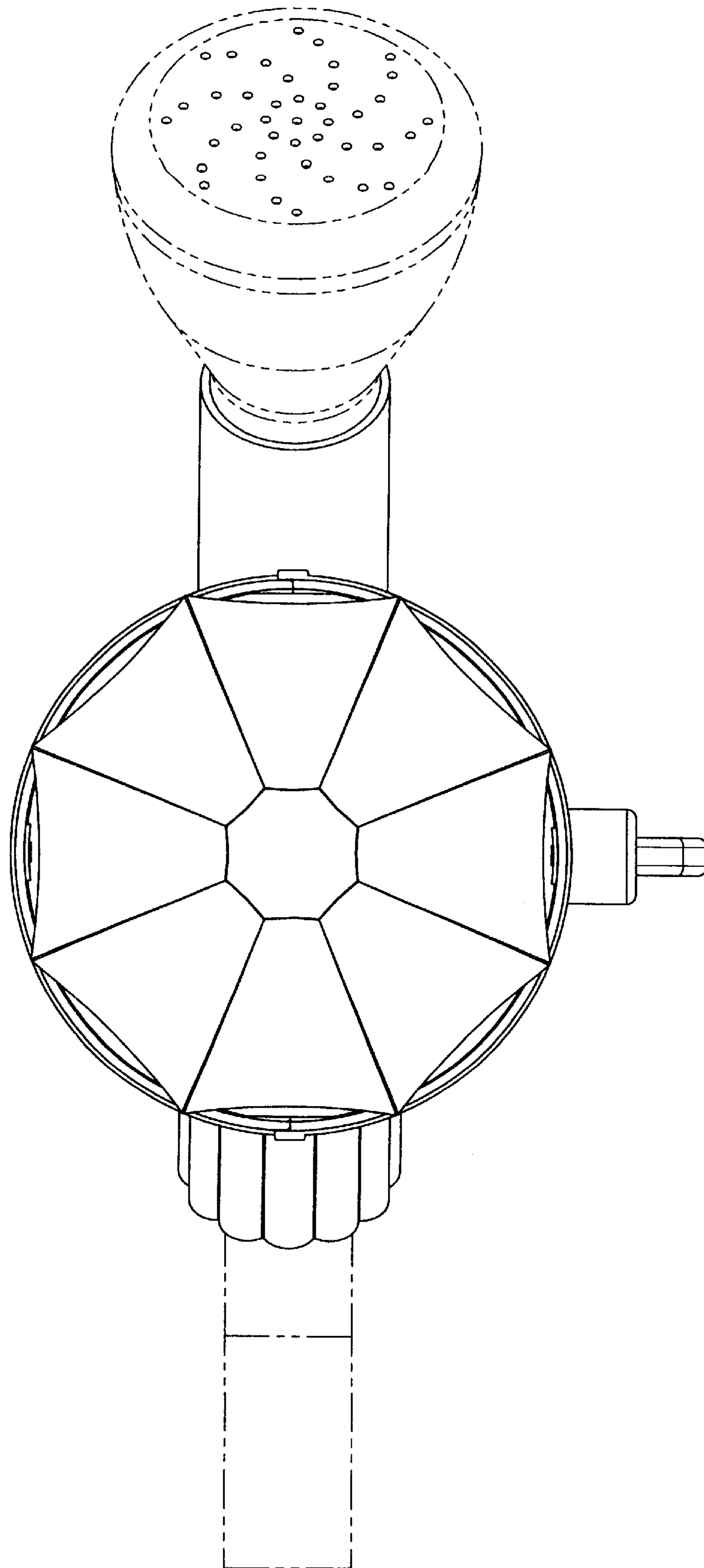


FIGURE 6

FIGURE 7

