



US00D543604S

(12) **United States Design Patent**  
**Minneman**

(10) **Patent No.:** **US D543,604 S**

(45) **Date of Patent:** **\*\* May 29, 2007**

(54) **GUN VISE**

D519,183 S \* 4/2006 Minneman ..... D22/108

(76) Inventor: **Steven W Minneman**, 8285 Lukmin Ct., Clayton, OH (US) 45315

(\*\*) Term: **14 Years**

(21) Appl. No.: **29/239,861**

(22) Filed: **Oct. 5, 2005**

(51) **LOC (8) Cl.** ..... **22-01**

(52) **U.S. Cl.** ..... **D22/108**

(58) **Field of Classification Search** ..... D22/108;  
248/520, 125.3, 156, 187.1, 171, 354.6; D8/71-74;  
211/64; 42/94, 55; D21/569; 89/37.11, 40.06,  
89/37.04, 37.12; 124/913

See application file for complete search history.

(56) **References Cited**

**U.S. PATENT DOCUMENTS**

2,427,365	A	9/1947	Meister	
2,774,563	A	* 12/1956	Pribis	248/127
3,358,504	A	12/1967	Freebairn	
4,548,392	A	10/1985	Rickling	
4,807,381	A	* 2/1989	Southard	42/94
4,873,777	A	* 10/1989	Southard	42/94
4,998,944	A	* 3/1991	Lund	42/94
5,058,302	A	10/1991	Minneman	
D364,080	S	11/1995	Weyrauch	
D471,248	S	* 3/2003	Jacobs	D22/108

**OTHER PUBLICATIONS**

Tipton Gun Vise <<http://www.tiptonshooting.com/782731.html>>, Jul. 14, 2005.

Decker Rifle Vise <<http://www.sinclairintl.com/cgi-bin/category.cgi?item+03-5000>>, Jul. 7, 2005.

Fort Sandflat Gun Vise <<http://www.gunstands.com/vise.htm>>, Apr. 18, 2006.

\* cited by examiner

*Primary Examiner*—Ian Simmons

*Assistant Examiner*—Melanie Levy

(74) *Attorney, Agent, or Firm*—Jacox, Meckstroth & Jenkins

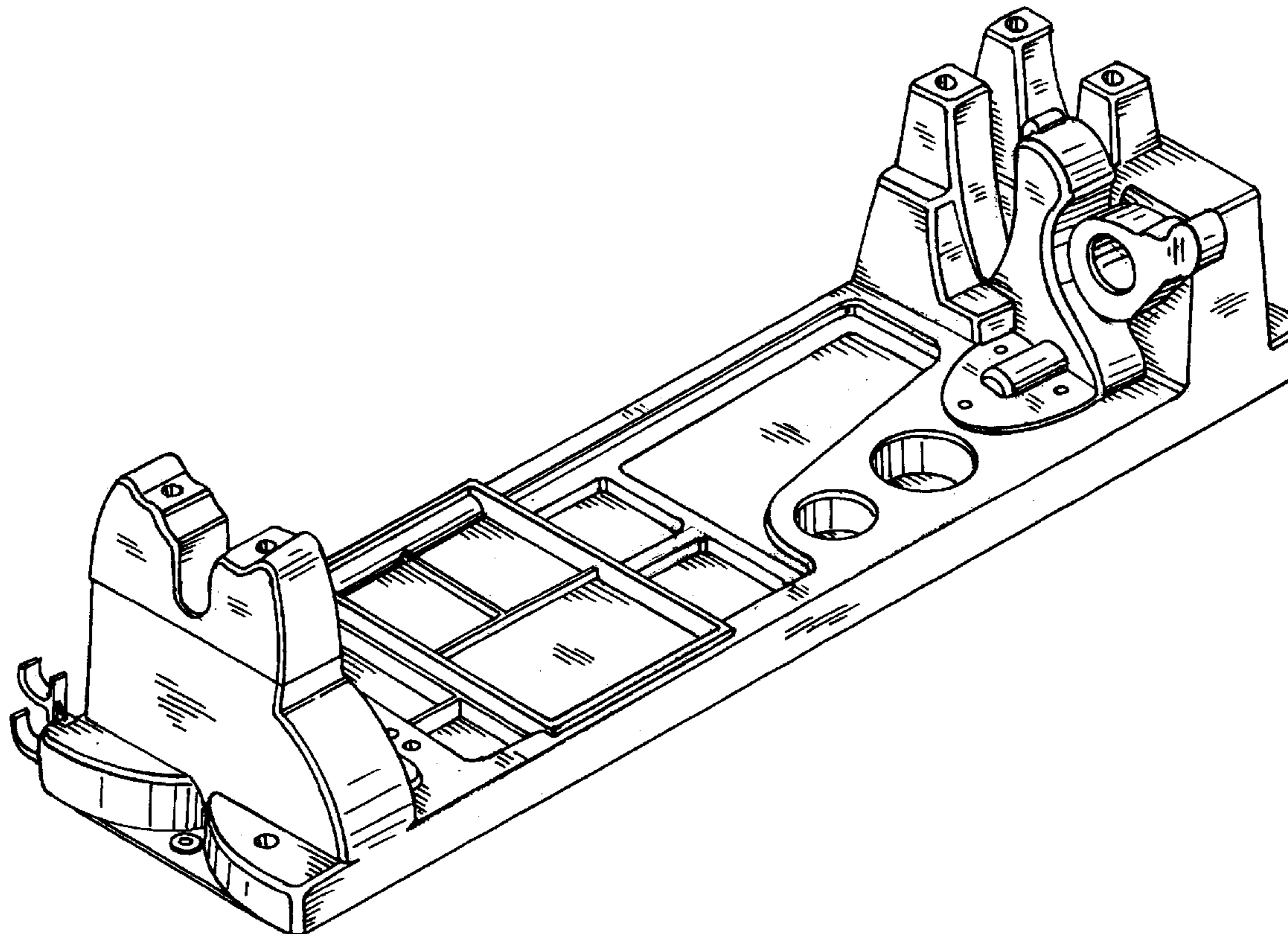
(57) **CLAIM**

The ornamental design for a gun vise, as shown and described.

**DESCRIPTION**

FIG. 1 is a perspective view of the gun vise;  
FIG. 2 is a plan view of the gun vise;  
FIG. 3 is a right side view of the gun vise;  
FIG. 4 is left side view of the gun vise;  
FIG. 5 is a view of an end of the gun vise; and,  
FIG. 6 is a view of another view of the gun vise opposite the end shown in FIG. 5.

**1 Claim, 3 Drawing Sheets**



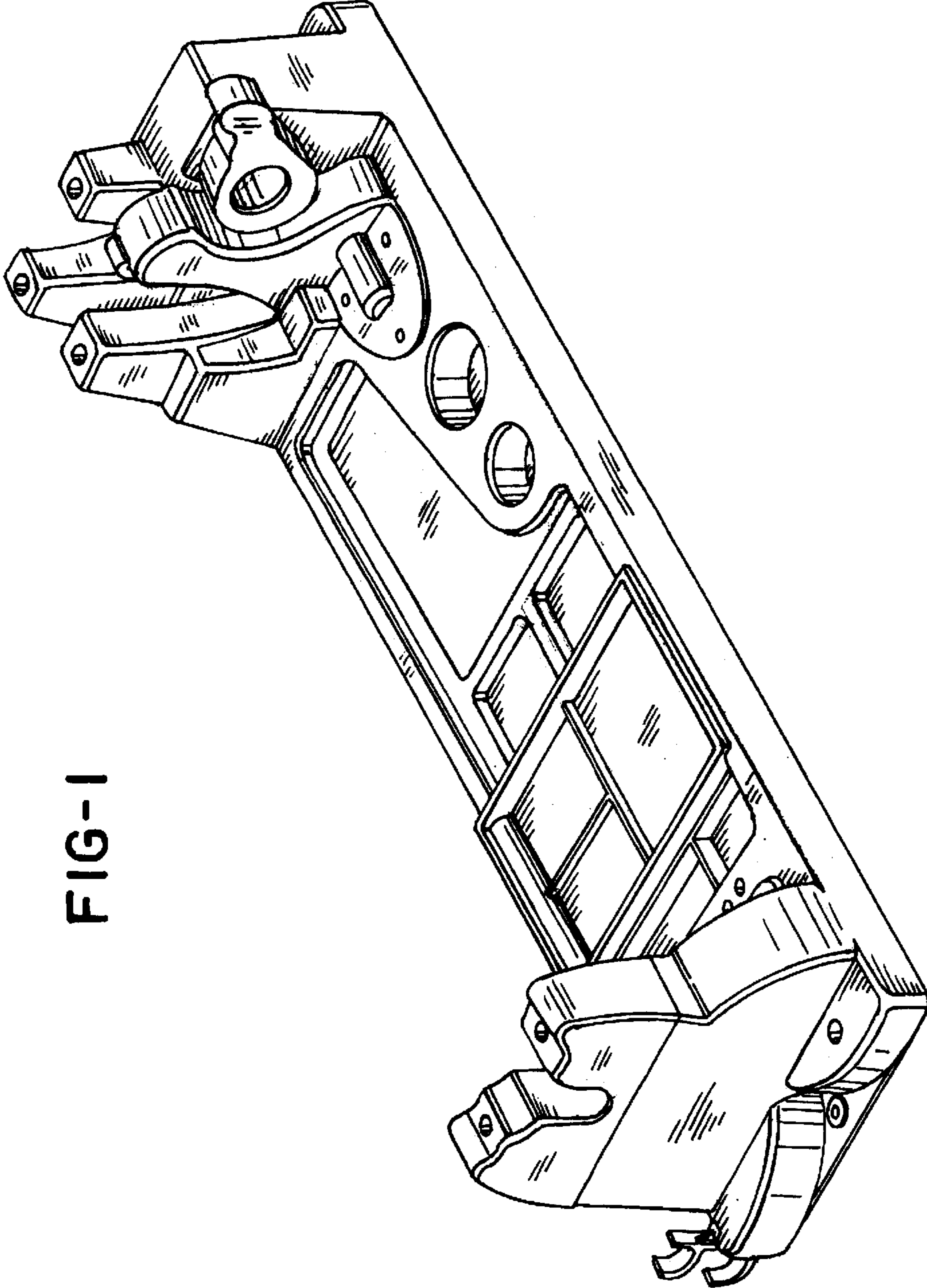


FIG-1

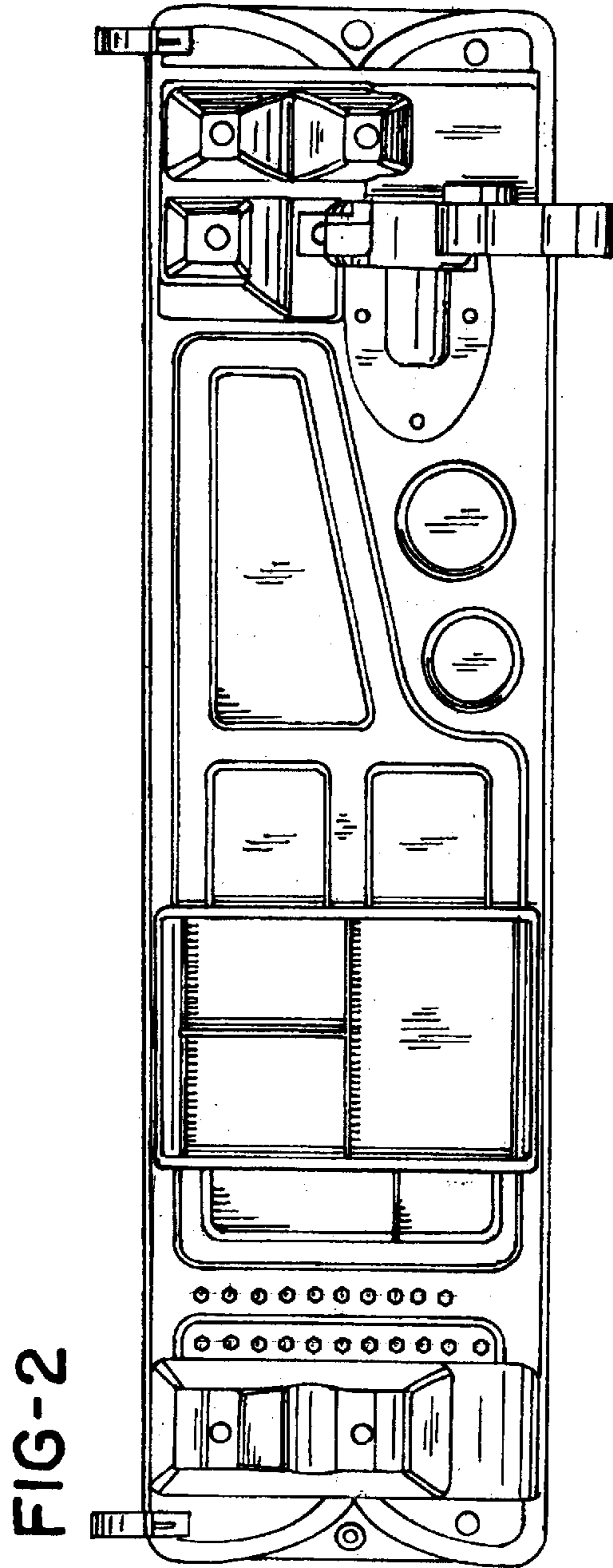


FIG-3



FIG-4



FIG-5

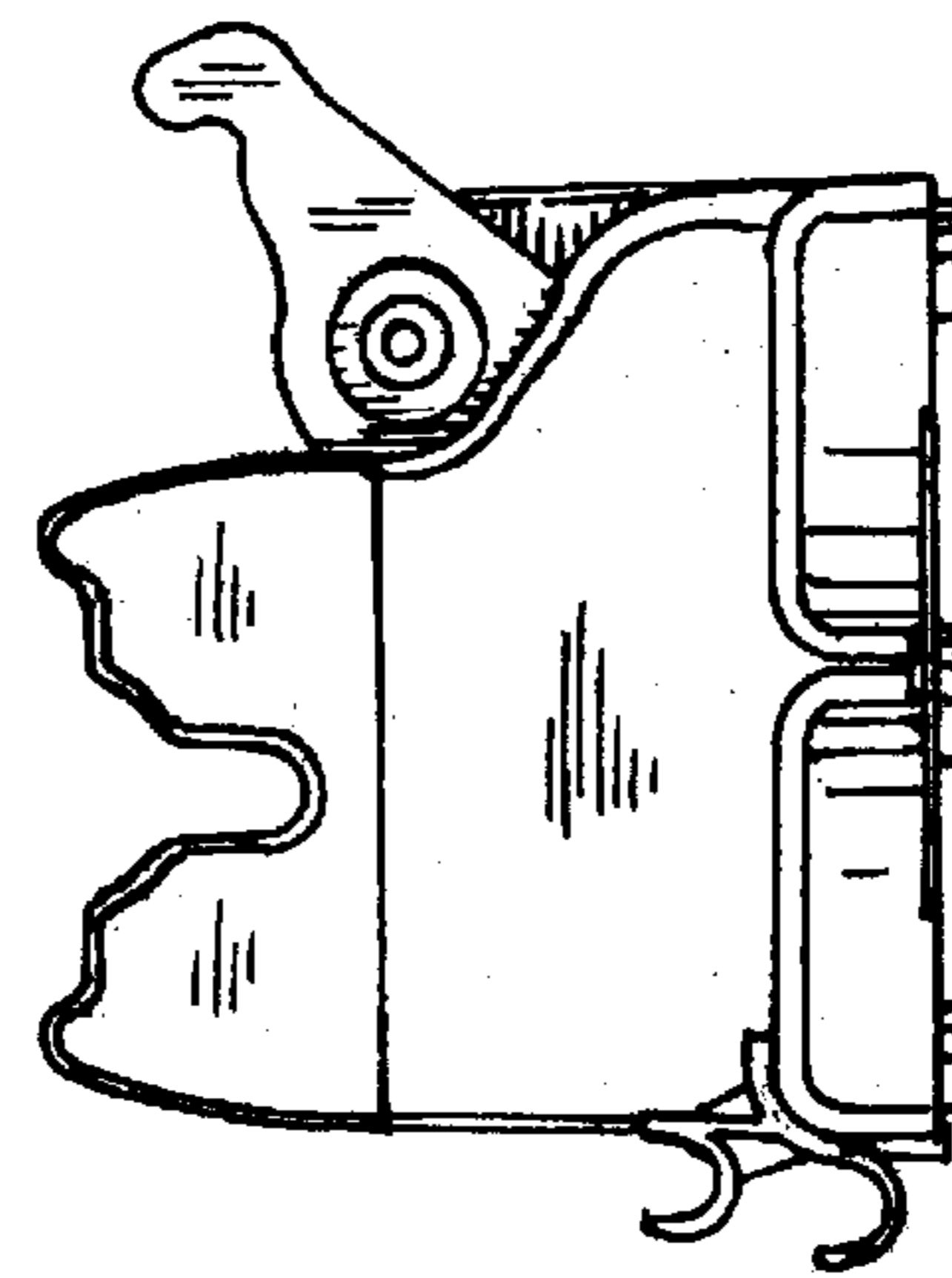


FIG-6

