



US00D543603S

(12) **United States Design Patent**
Khoshnood

(10) **Patent No.:** **US D543,603 S**

(45) **Date of Patent:** **** May 29, 2007**

(54) **ARCHERY BOW SIGHT**

(76) Inventor: **Bahram Khoshnood**, 1324 Union Hill Rd., Suite B, Alpharetta, GA (US) 30004

(**) Term: **14 Years**

(21) Appl. No.: **29/259,630**

(22) Filed: **May 11, 2006**

(51) **LOC (8) Cl.** **22-01**

(52) **U.S. Cl.** **D22/107**

(58) **Field of Classification Search** D22/107;
33/265; 42/135-139, 145; 124/86-88; D21/570-571
See application file for complete search history.

(56) **References Cited**

U.S. PATENT DOCUMENTS

5,103,568	A	*	4/1992	Canoy	33/265
5,406,712	A	*	4/1995	Slates	33/265
5,419,051	A	*	5/1995	Barngrover	33/265
5,560,113	A	*	10/1996	Simo et al.	33/265
D378,846	S	*	4/1997	Sodaro	D22/107
6,000,141	A	*	12/1999	Afshari	33/265
6,026,799	A	*	2/2000	Wiseby et al.	124/87
6,418,633	B1	*	7/2002	Rager	33/265

6,443,142	B1	*	9/2002	Wiseby et al.	124/87
6,477,778	B1	*	11/2002	Lorocco	33/265
D487,789	S	*	3/2004	Rager	D22/107
D489,427	S	*	5/2004	Rager	D22/107
D505,477	S	*	5/2005	Rager	D22/107
2002/0042999	A1	*	4/2002	Lorocco	33/265
2003/0110647	A1	*	6/2003	Henry	33/265
2003/0110648	A1	*	6/2003	Springer	33/265

* cited by examiner

Primary Examiner—Ian Simmons

Assistant Examiner—Melanie Levy

(74) *Attorney, Agent, or Firm*—Rodgers & Rodgers

(57) **CLAIM**

The ornamental design for an archery bow sight, as shown.

DESCRIPTION

FIG. 1 is a prospective view of an archery bow sight showing my new design;

FIG. 2 is a front elevational view thereof;

FIG. 3 is a bottom plan view thereof;

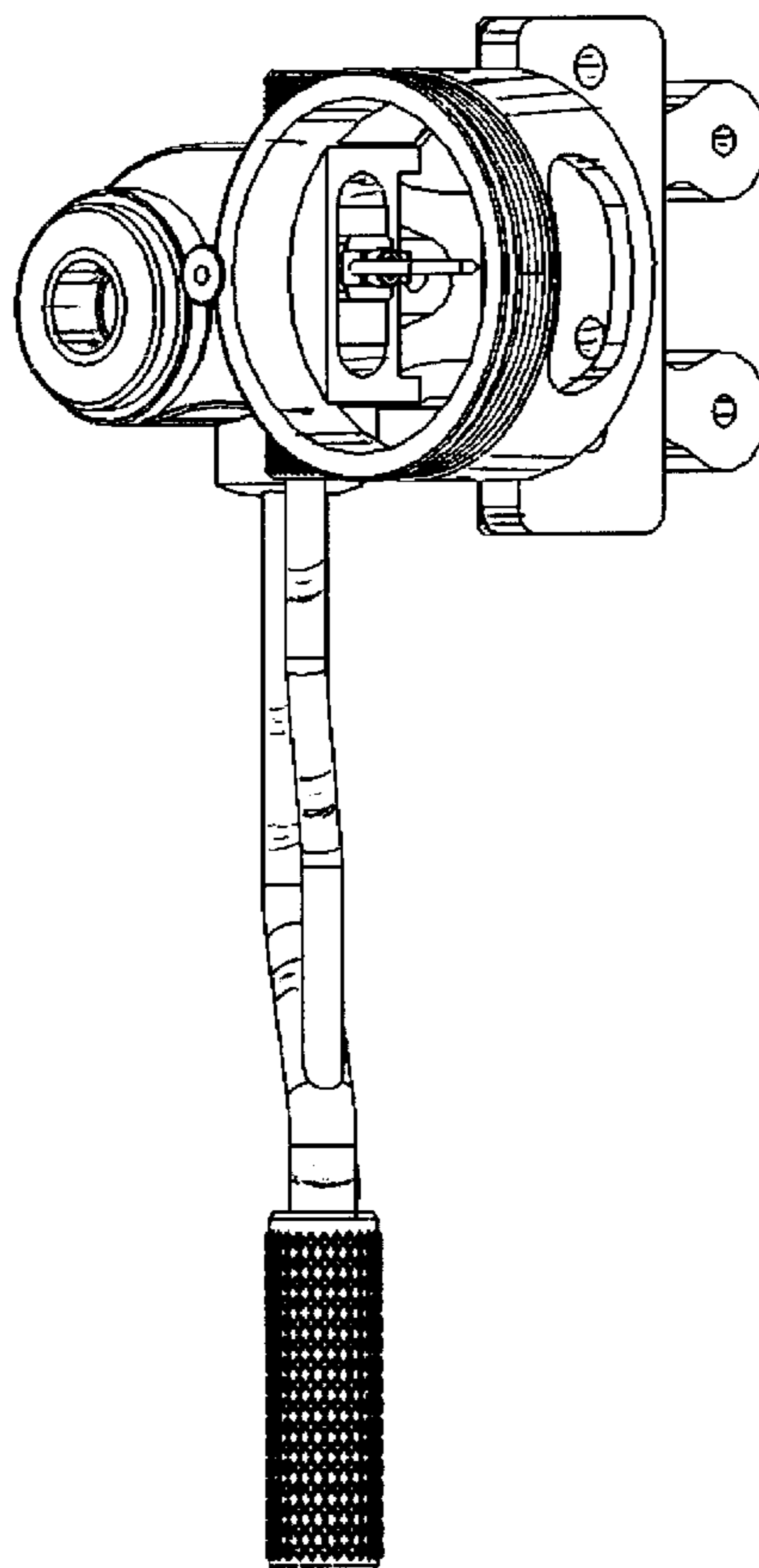
FIG. 4 is a top plan view thereof;

FIG. 5 is a rear elevational view thereof;

FIG. 6 is a right side elevational view thereof; and,

FIG. 7 is a left side elevational view thereof.

1 Claim, 6 Drawing Sheets



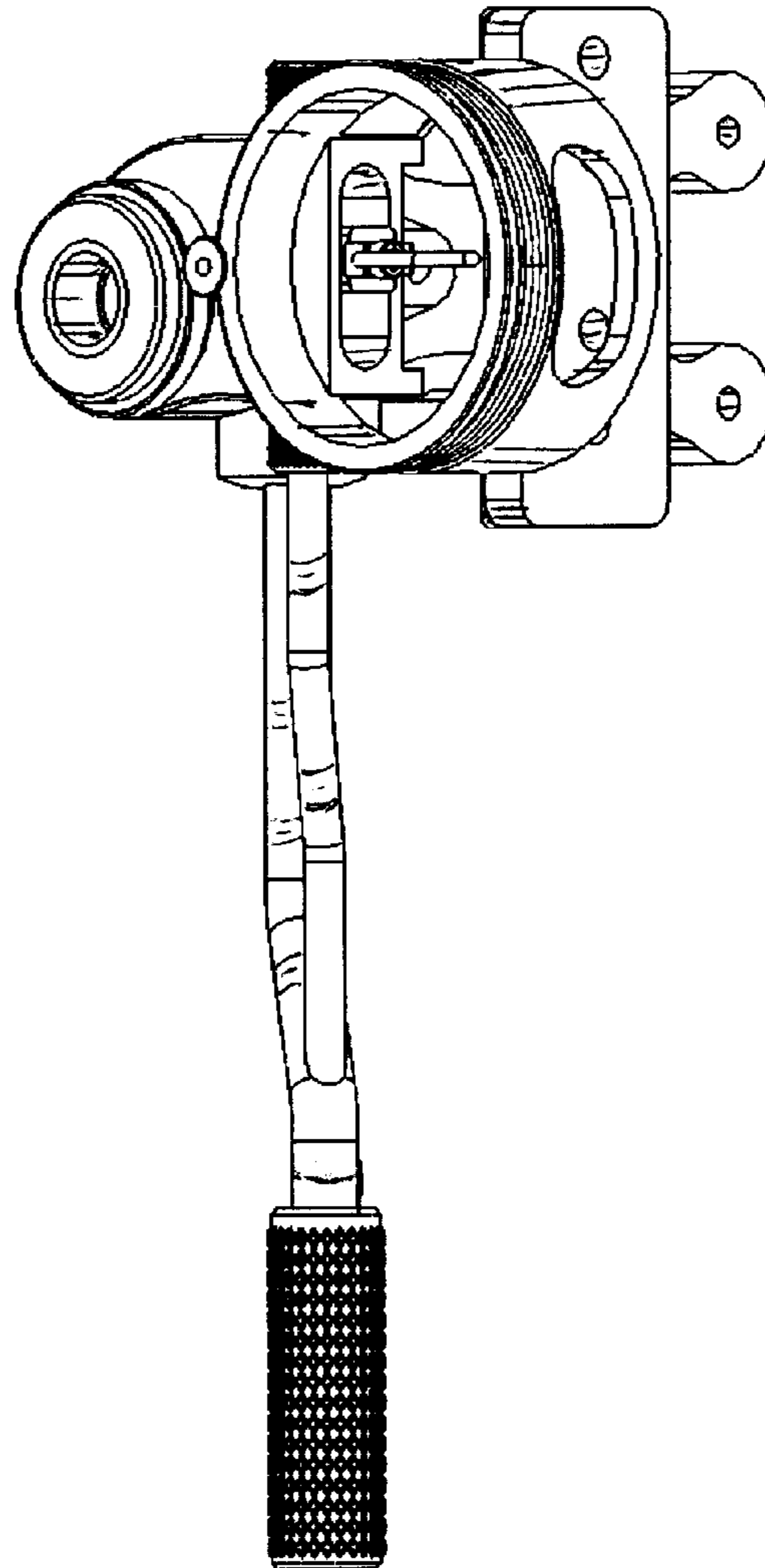


FIG. 1

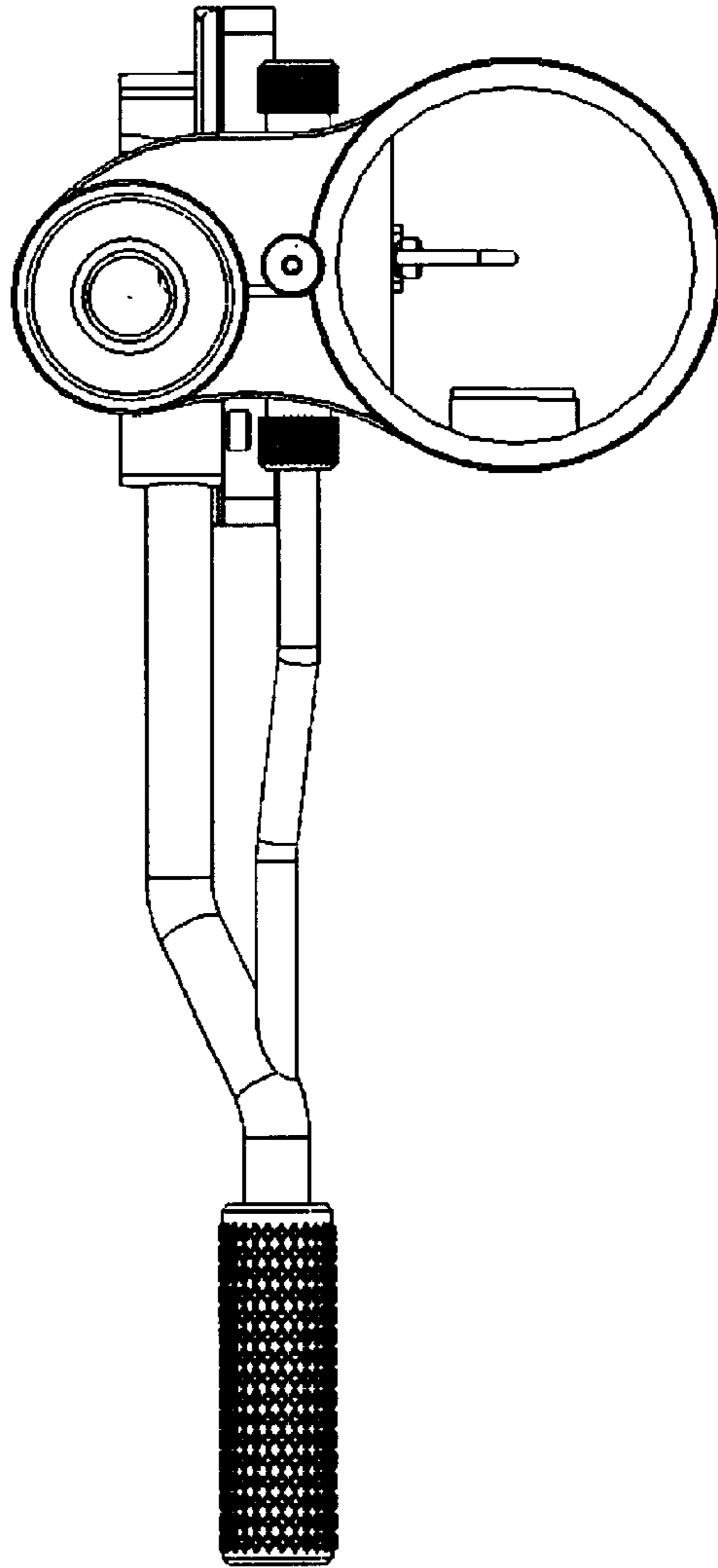


FIG. 2

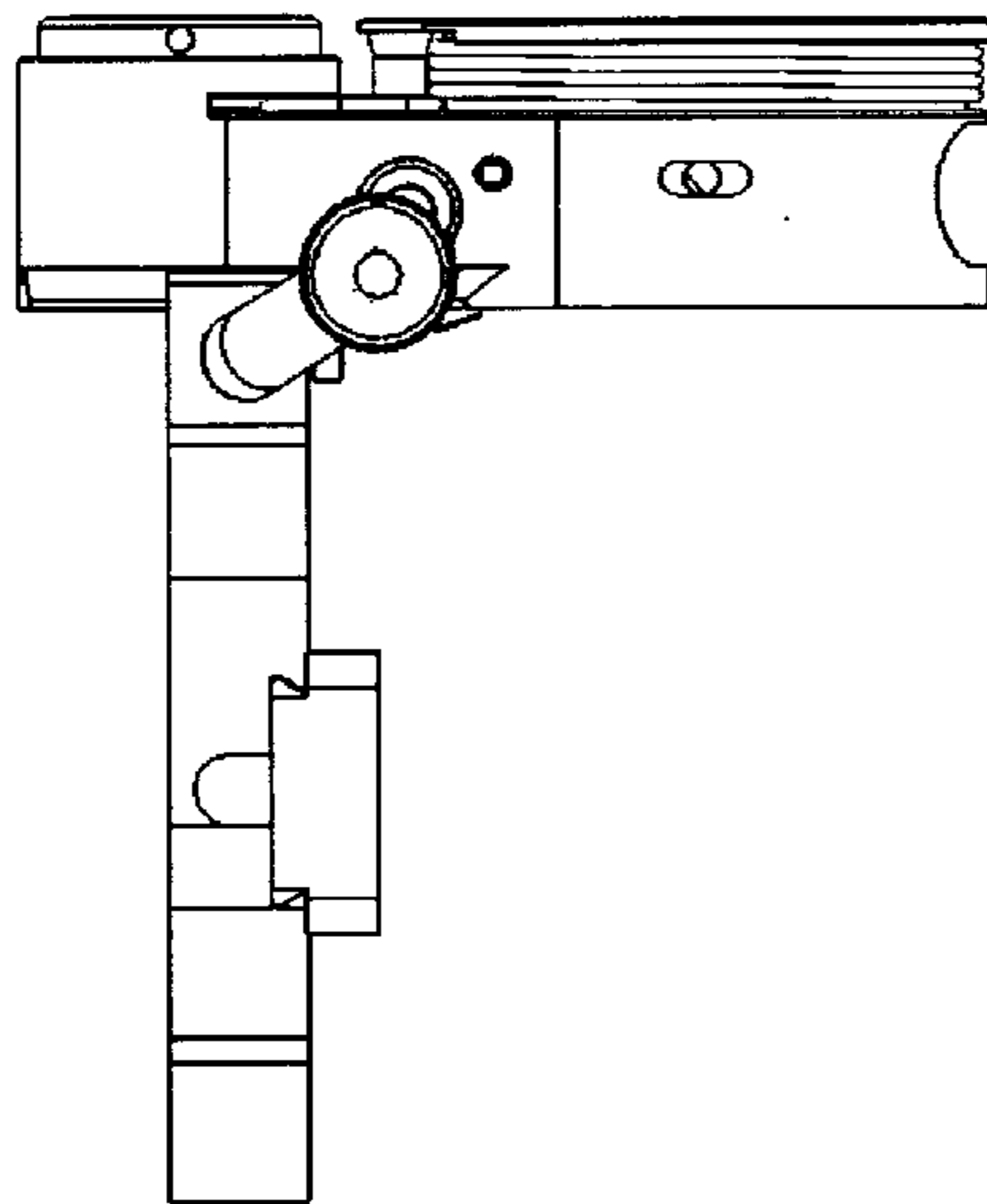


FIG. 3

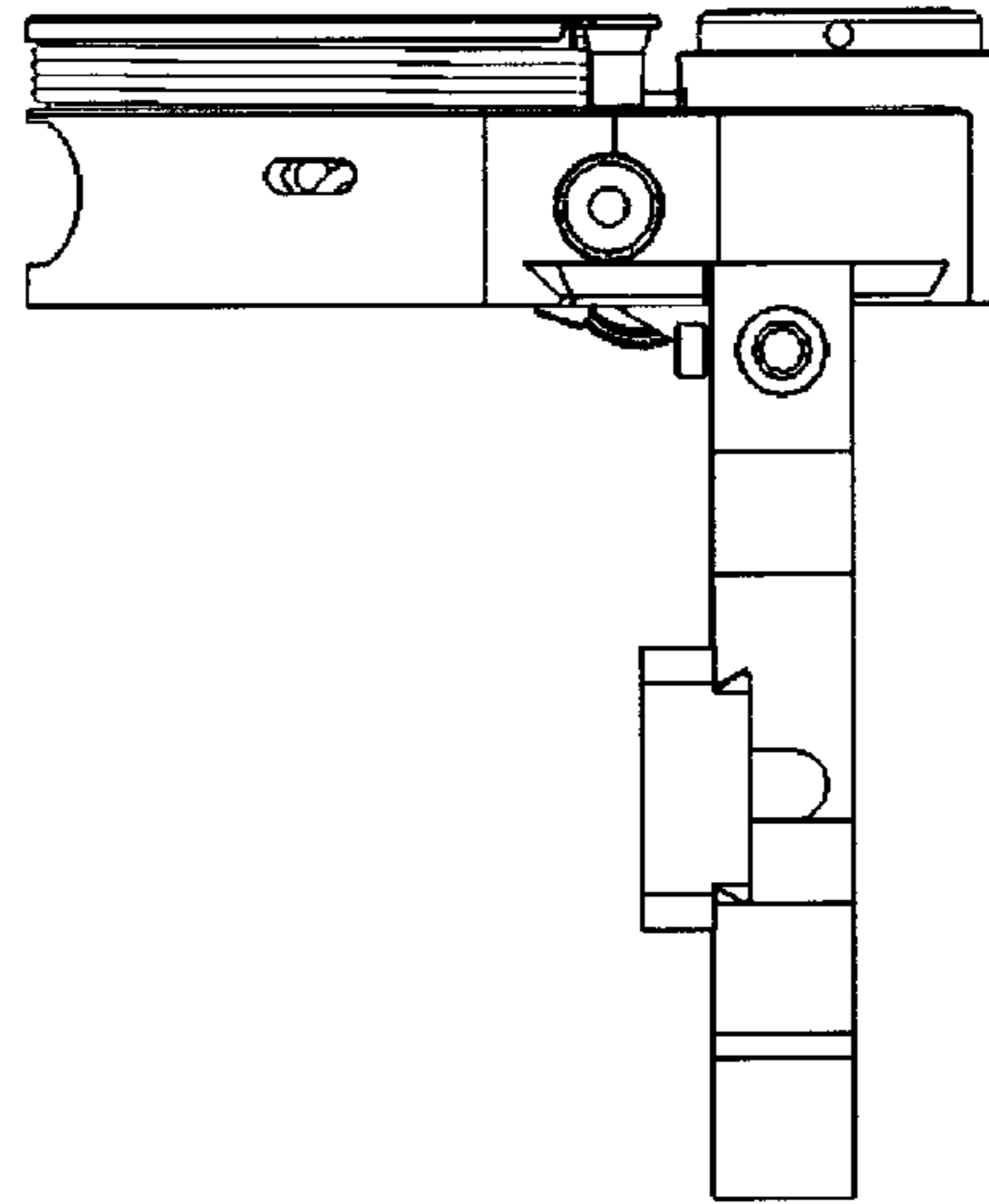


FIG. 4

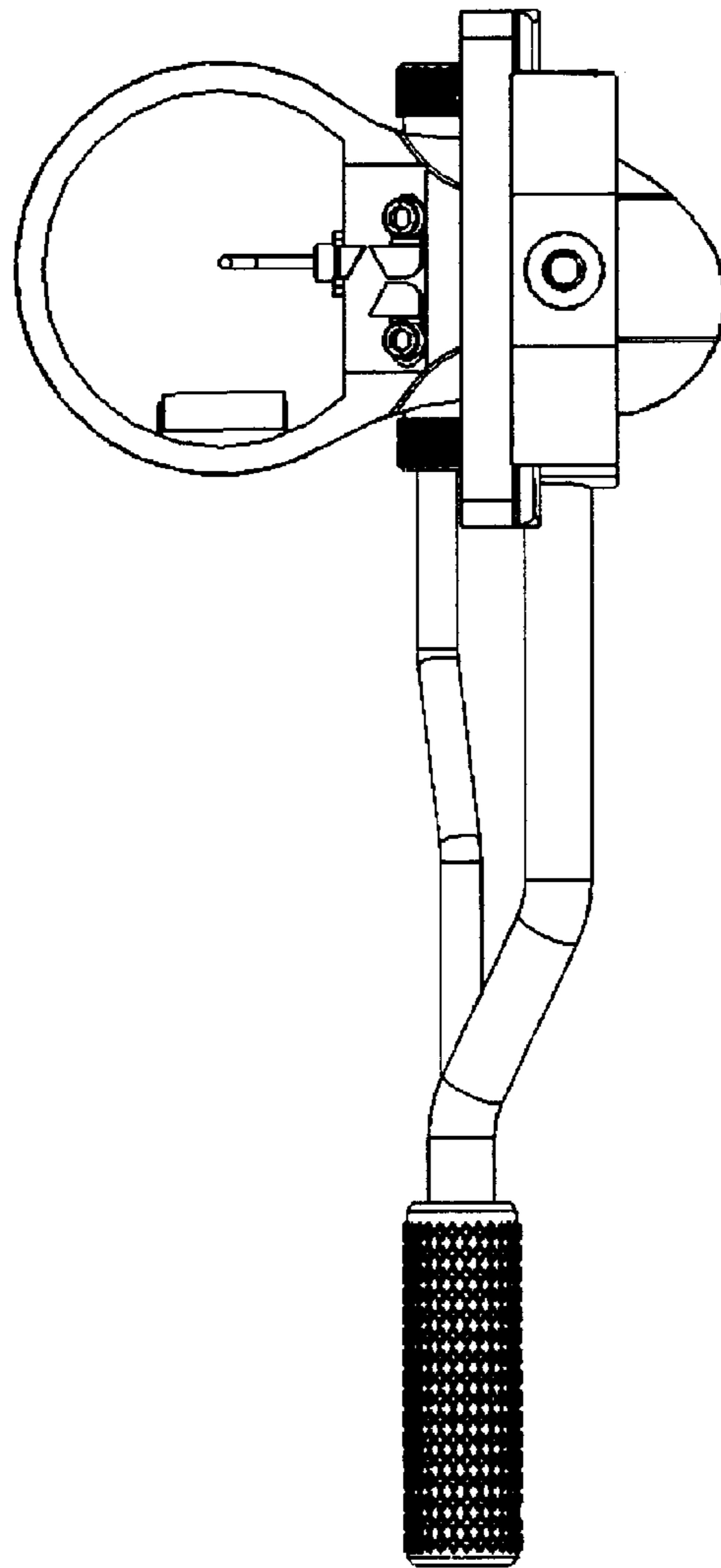


FIG. 5

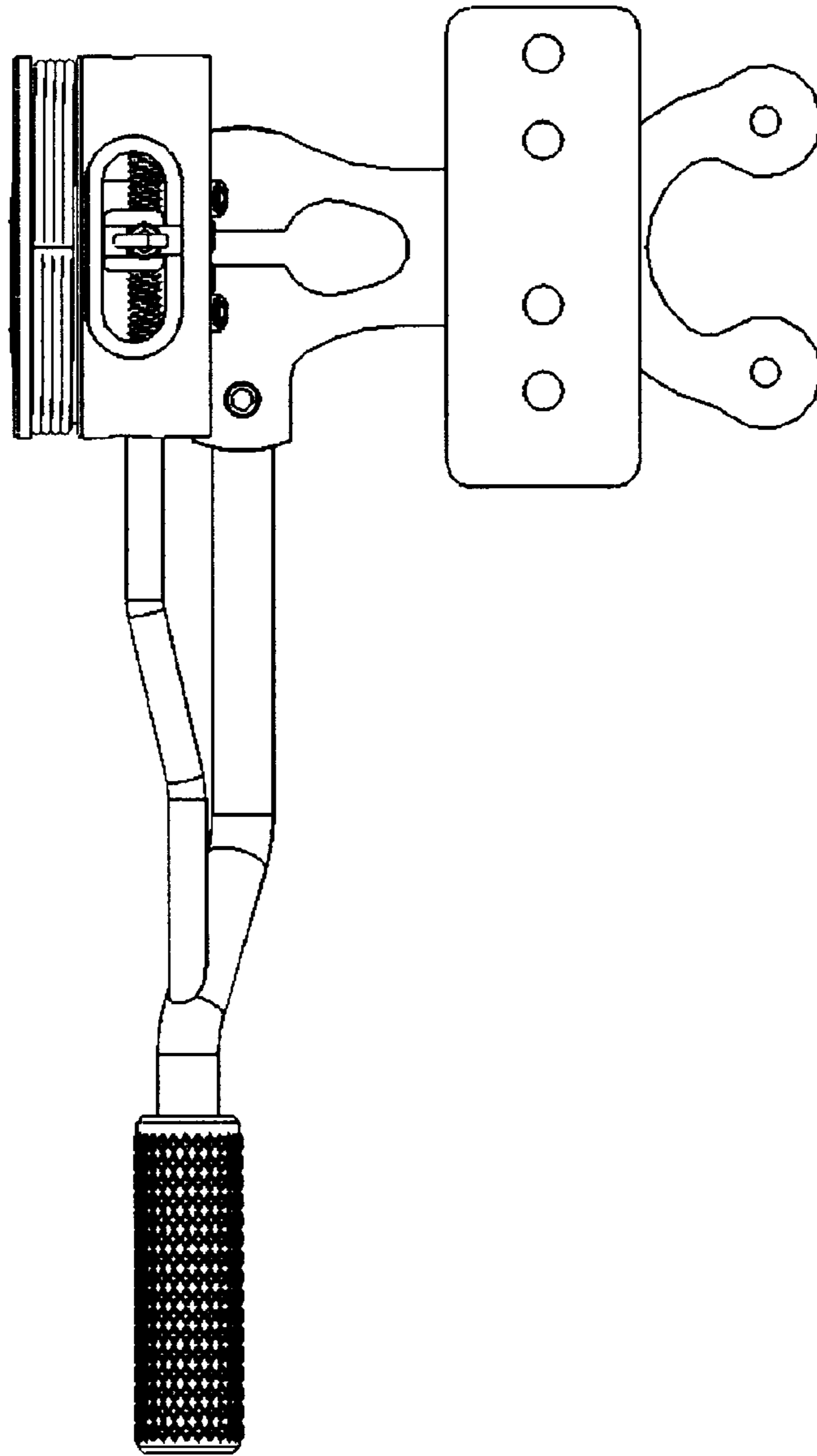


FIG. 6

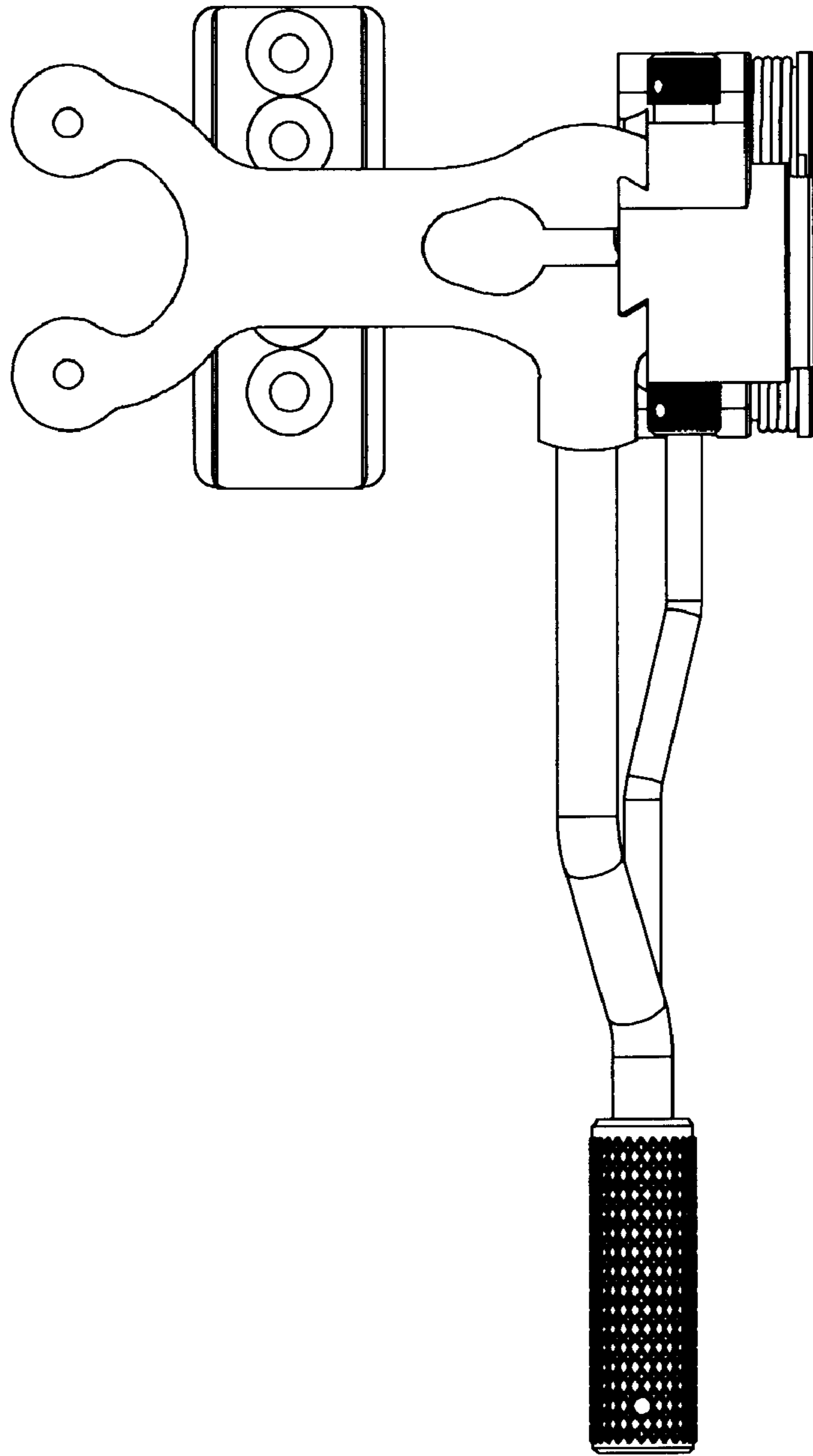


FIG. 7