



US00D543598S

(12) **United States Design Patent**  
**Kuan et al.**

(10) **Patent No.:** **US D543,598 S**

(45) **Date of Patent:** **\*\* May 29, 2007**

(54) **GOLF CLUB HEAD**

(75) Inventors: **Jimmy Kuan**, West Covina, CA (US);  
**Michael Sandoval**, La Palma, CA (US);  
**Christopher R. Cooper**, Orange, CA  
(US); **Adam K. Sheldon**, Long Beach,  
CA (US); **Trent E. Garner**,  
Champaign, IL (US); **Edward**  
**Mendoza**, Costa Mesa, CA (US)

(73) Assignee: **Roger Cleveland Golf Company,**  
**Incorporated**, Huntington Beach, CA  
(US)

(\*\*) Term: **14 Years**

(21) Appl. No.: **29/265,837**

(22) Filed: **Sep. 11, 2006**

(51) **LOC (8) Cl.** ..... **21-02**

(52) **U.S. Cl.** ..... **D21/736**

(58) **Field of Classification Search** ..... D21/736-746,  
D21/759; 473/324-331, 340, 341, 251-256  
See application file for complete search history.

(56) **References Cited**

**U.S. PATENT DOCUMENTS**

- D363,329 S 10/1995 Greene et al.
- D368,751 S \* 4/1996 Rife ..... D21/745
- D369,393 S \* 4/1996 Takahashi et al. .... D21/745
- D385,933 S 11/1997 Rollinson et al.
- 5,683,307 A 11/1997 Rife
- D388,143 S \* 12/1997 Huan-Chiang ..... D21/745
- D396,082 S 7/1998 Sheets
- D396,083 S 7/1998 Sheets
- D399,911 S 10/1998 Nicolette et al.
- D400,610 S 11/1998 Cameron et al.
- D400,942 S 11/1998 Billings
- D402,343 S 12/1998 Helmstetter et al.
- D405,856 S 2/1999 Tang et al.
- D407,445 S 3/1999 Rollinson et al.
- D428,457 S 7/2000 Rollinson et al.
- 6,238,302 B1 5/2001 Helmstetter et al.
- 6,273,831 B1 8/2001 Dewanjee et al.

- 6,273,832 B1 8/2001 Helmstetter et al.
- 6,328,661 B1 12/2001 Helmstetter et al.
- 6,386,991 B1 5/2002 Reyes et al.
- 6,478,690 B2 11/2002 Helmstetter et al.
- 6,497,626 B1 12/2002 Sundberg
- D474,821 S 5/2003 Wells et al.
- D481,089 S 10/2003 Breier et al.
- 6,632,391 B1 10/2003 Helmstetter et al.
- 6,692,378 B2 2/2004 Shmoldas et al.
- D488,200 S 4/2004 Olsavsky et al.
- 6,893,358 B2 5/2005 Dewanjee et al.
- D507,317 S 7/2005 Garner et al.
- D508,273 S 8/2005 Garner et al.

(Continued)

**FOREIGN PATENT DOCUMENTS**

- JP A 2004-261447 9/2004
- JP A 2005-287667 10/2005

**OTHER PUBLICATIONS**

C. Jensen et al., "Fundamentals of Engineering Drawing,"  
Third Edition, 1990, p. 67.

*Primary Examiner*—Mitchell Siegel

(74) *Attorney, Agent, or Firm*—Oliff & Berridge, PLC

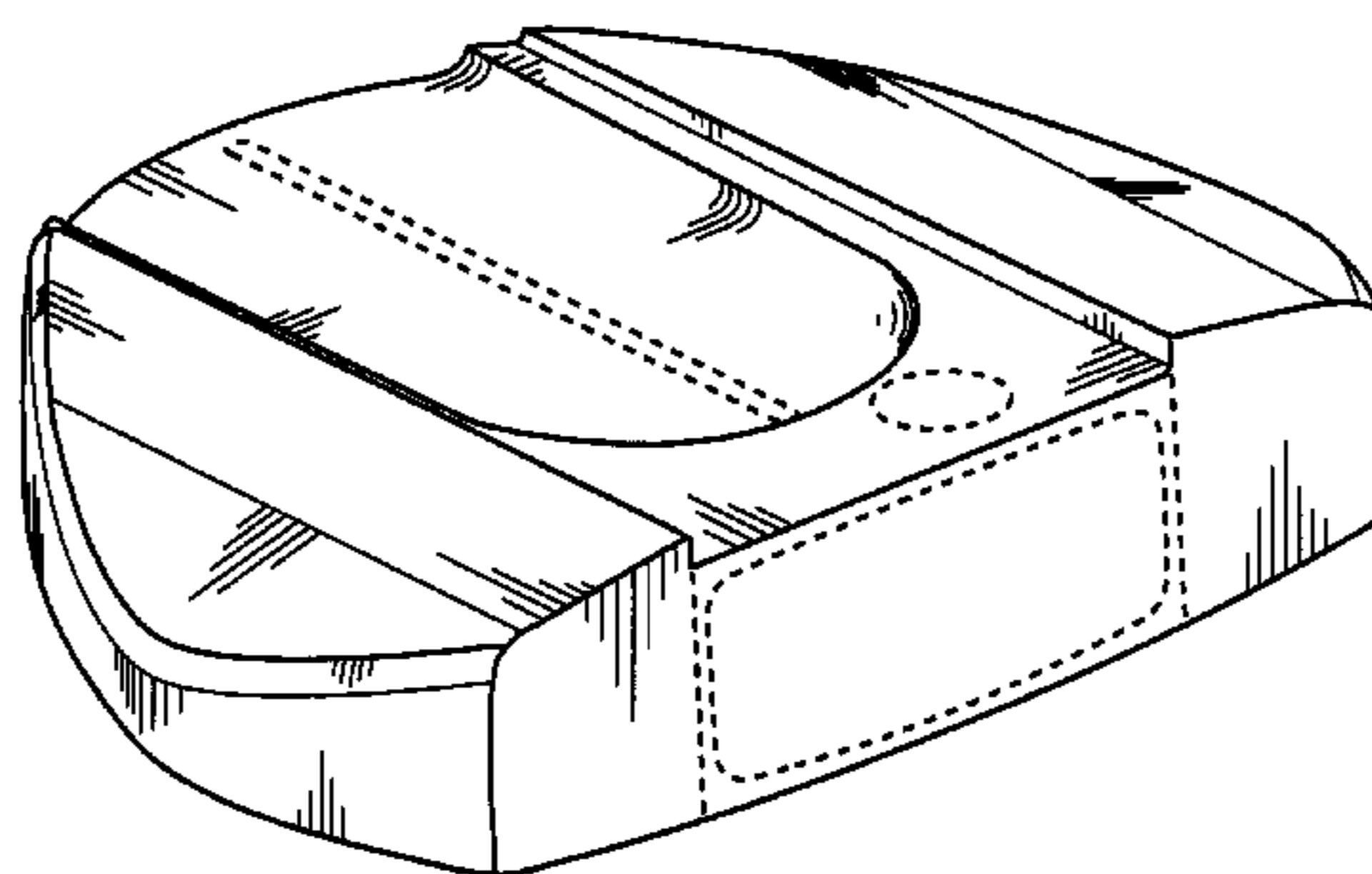
(57) **CLAIM**

The ornamental design for a golf club head, as shown and  
described.

**DESCRIPTION**

FIG. 1 is a rear perspective view of a portion of a golf club  
head embodying the inventive design.  
FIG. 2 is an orthographic side elevational view thereof.  
FIG. 3 is a front perspective view thereof.  
FIG. 4 is an orthographic top plan view thereof.  
FIG. 5 is an orthographic bottom plan view thereof; and,  
FIG. 6 is an orthographic front elevational view thereof.  
The broken lines showing various portions of the golf club  
head are for illustrative purposes only and form no part of  
the claimed design.

**1 Claim, 6 Drawing Sheets**



# US D543,598 S

Page 2

---

## U.S. PATENT DOCUMENTS

D511,802 S 11/2005 Cameron  
D513,048 S 12/2005 Garner et al.  
6,971,960 B2 12/2005 Dewanjee et al.  
D514,181 S 1/2006 Cameron  
D514,182 S 1/2006 Olsavsky et al.  
D515,647 S 2/2006 Morgulis  
7,048,648 B2 5/2006 Breier et al.  
D523,499 S 6/2006 Fussell  
7,070,516 B2 7/2006 Dewanjee et al.

D526,035 S 8/2006 Hueber  
2005/0119069 A1 6/2005 Guard et al.  
2005/0215346 A1 9/2005 Iwade  
2005/0233829 A1 10/2005 Cameron  
2006/0035718 A1 2/2006 Soracco et al.  
2006/0040763 A1 2/2006 Soracco et al.  
2006/0040764 A1 2/2006 Soracco et al.  
2006/0148584 A1 7/2006 Sherman

\* cited by examiner

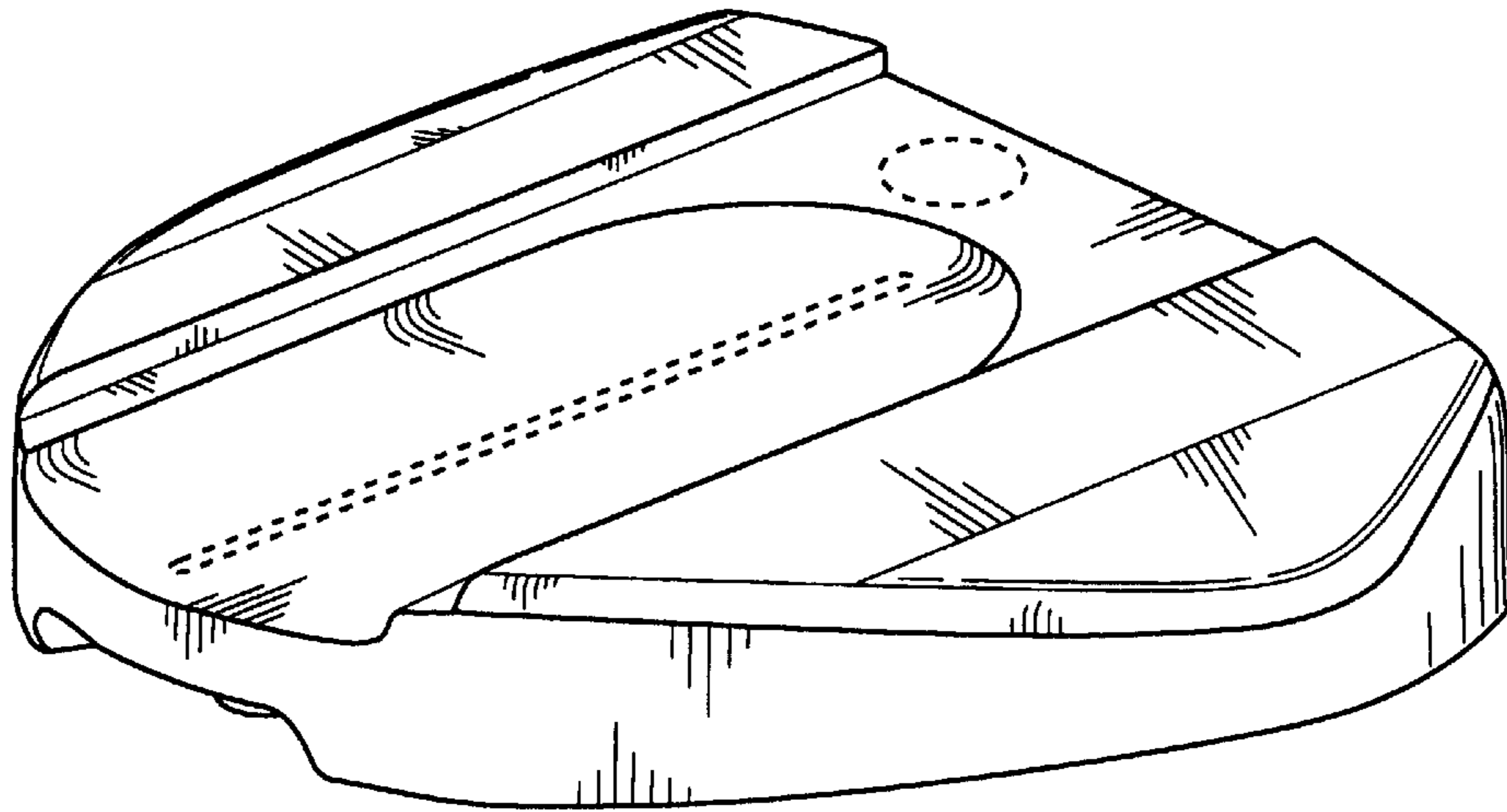


FIG. 1

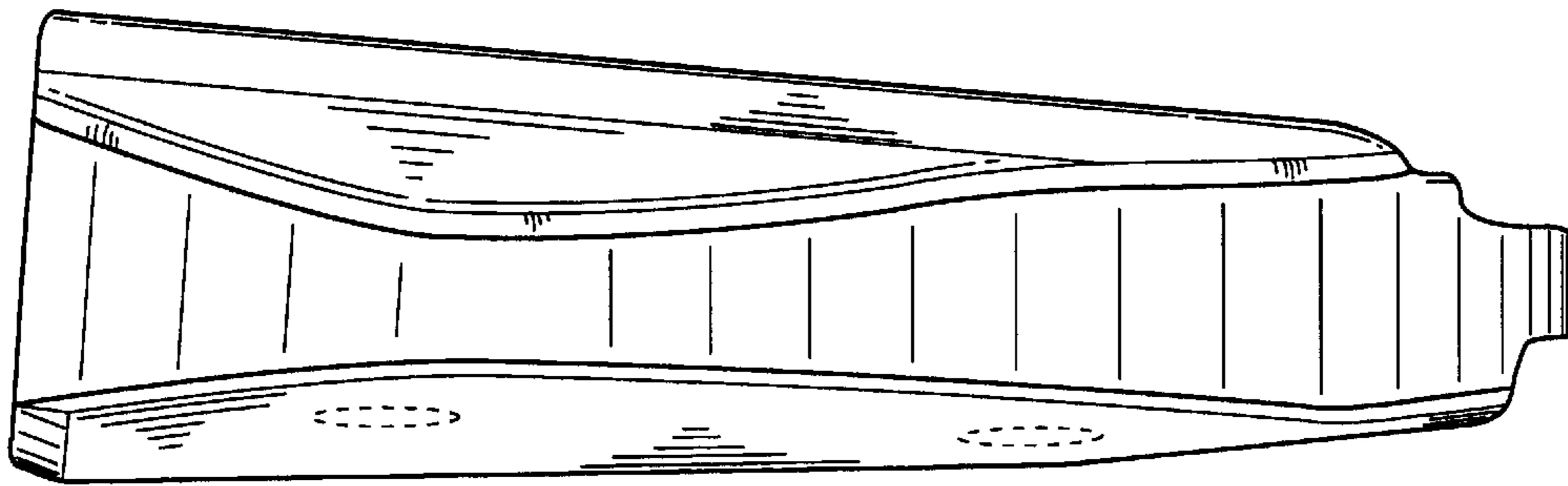


FIG. 2

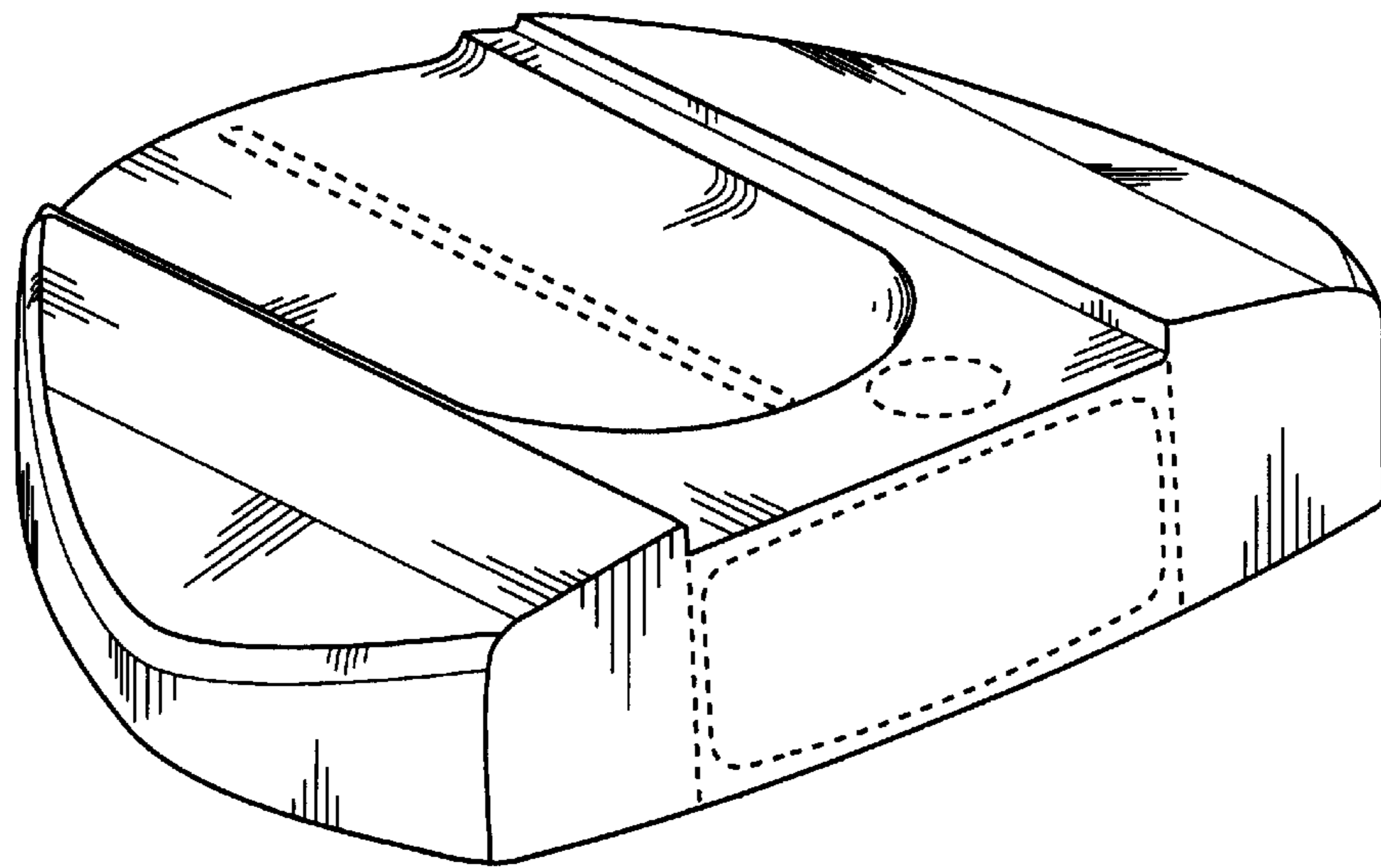


FIG. 3

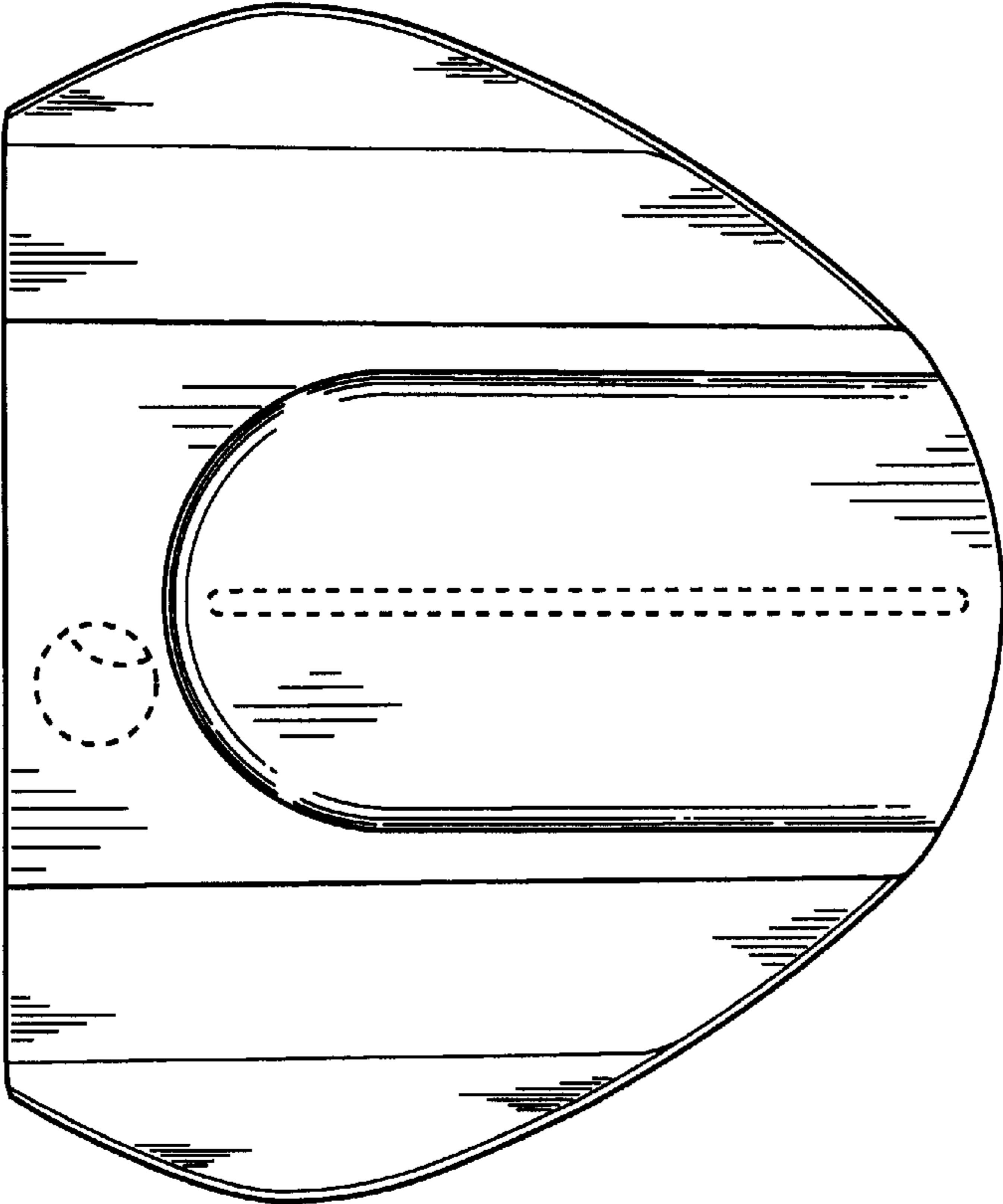


FIG. 4

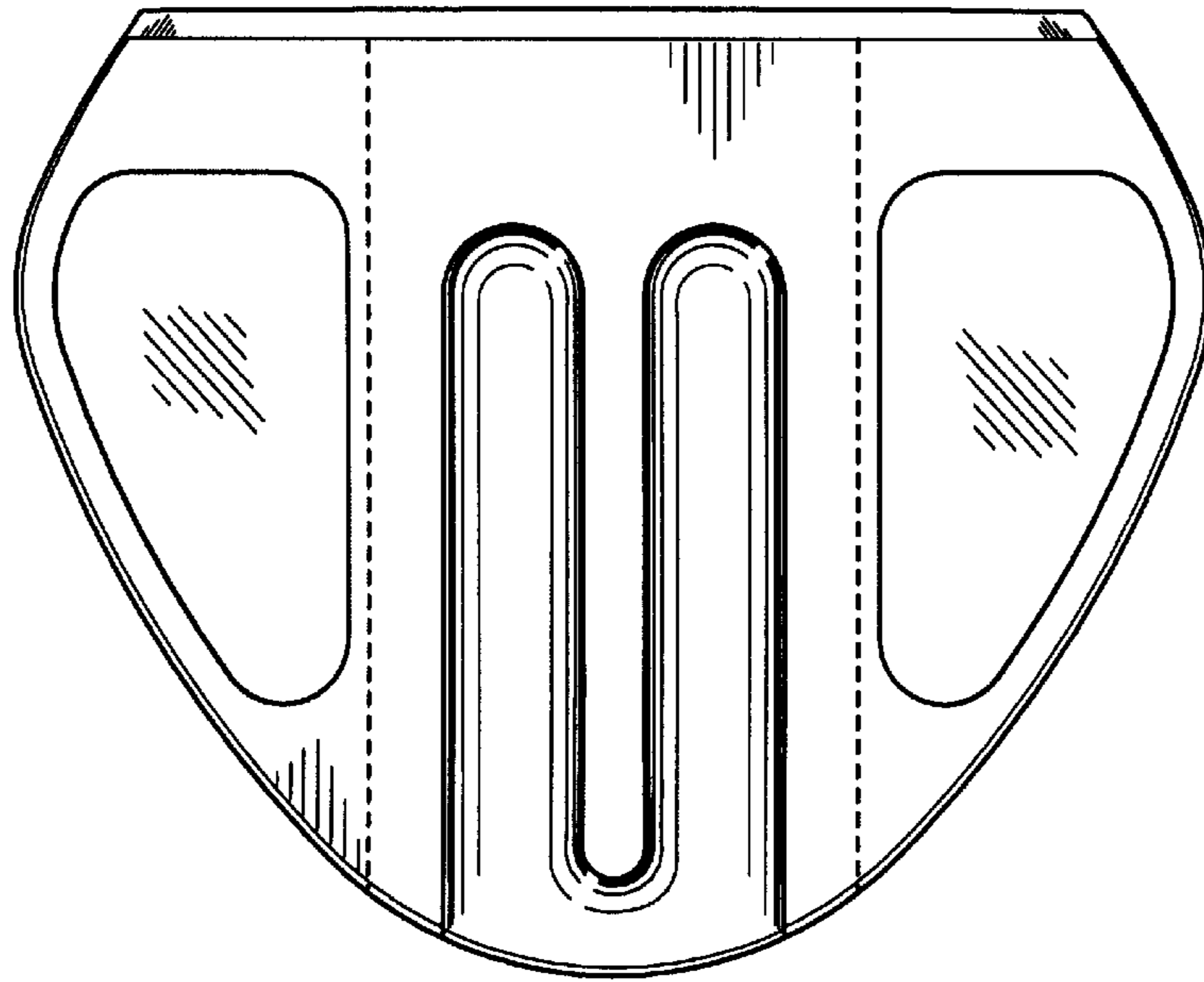


FIG. 5

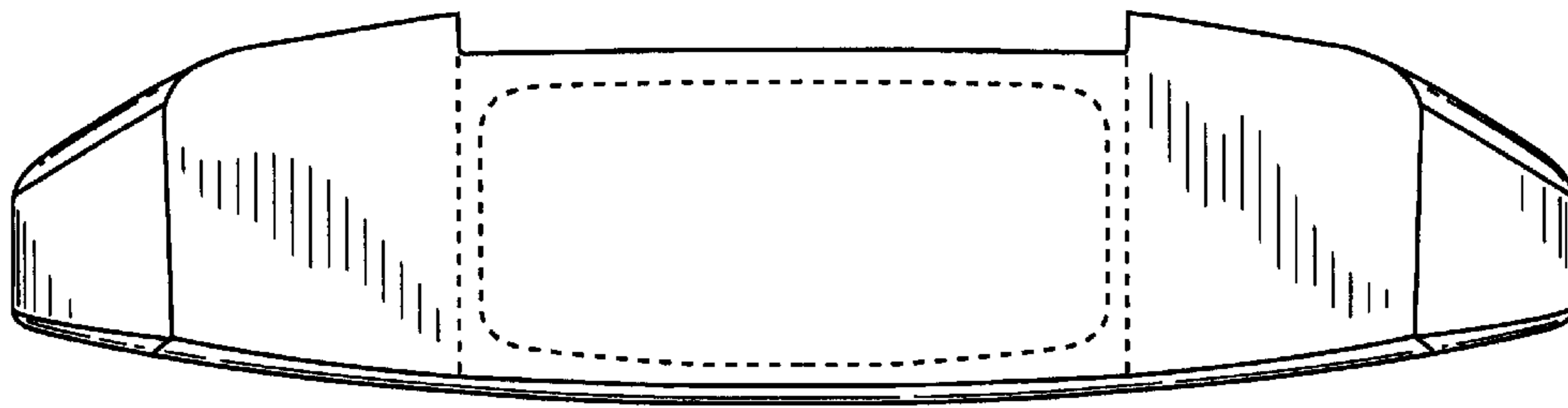


FIG. 6