

US00D543597S

(12) **United States Design Patent**
Lee et al.

(10) **Patent No.: US D543,597 S**

(45) **Date of Patent: ** May 29, 2007**

(54) **GOLF TEE**

2005/0003907 A1 * 1/2005 Ijiri 473/387
2006/0105861 A1 * 5/2006 Yang 473/396

(76) Inventors: **Sung-Eun Lee**, 146-3 Oryu-dong,
Guro-gu, Seoul (KR); **Hyung-Choon Lee**, 146-3 Oryu-dong, Guro-gu, Seoul (KR)

FOREIGN PATENT DOCUMENTS

(**) Term: **14 Years**

JP 10155955 A * 6/1998
JP 2005185340 A * 7/2005
JP 2005224586 A * 8/2005
JP 2005296330 A * 10/2005
JP 2006043400 A 2/2006
KR 2003001002 A * 1/2003
WO WO 2006004334 A1 * 1/2006
WO WO 2006009408 A1 * 1/2006

(21) Appl. No.: **29/257,139**

(22) Filed: **Mar. 30, 2006**

(30) **Foreign Application Priority Data**

Mar. 15, 2006 (KR) 30-2006-0009448

* cited by examiner

Primary Examiner—Catherine Tuttle

(51) **LOC (8) Cl. 21-02**

(74) *Attorney, Agent, or Firm*—Jacobson Holman PLLC

(52) **U.S. Cl. D21/718**

(57) **CLAIM**

(58) **Field of Classification Search** D21/717–721,
D21/789–796; 473/387–403

The ornamental design for a golf tee, as shown and described.

See application file for complete search history.

DESCRIPTION

(56) **References Cited**

U.S. PATENT DOCUMENTS

1,573,911 A * 2/1926 Budrow 473/396
D152,218 S * 2/1948 Reifman D21/718
2,668,710 A * 2/1954 Carlson 473/393
3,114,557 A * 12/1963 Cabot 473/398
3,347,551 A * 10/1967 Dreyfus 473/257
D391,611 S * 3/1998 Brayford D21/718
D482,086 S * 11/2003 Metz D21/718
D485,591 S * 1/2004 Bonfanti D21/718
2004/0166964 A1 * 8/2004 Toyosawa et al. 473/387

FIG. 1 is a perspective view showing our new design for a golf tee,
FIG. 2 is a front view thereof,
FIG. 3 is a rear view thereof,
FIG. 4 is a left side view thereof,
FIG. 5 is a right side view thereof,
FIG. 6 is a top view thereof; and,
FIG. 7 is a bottom view thereof.

1 Claim, 6 Drawing Sheets

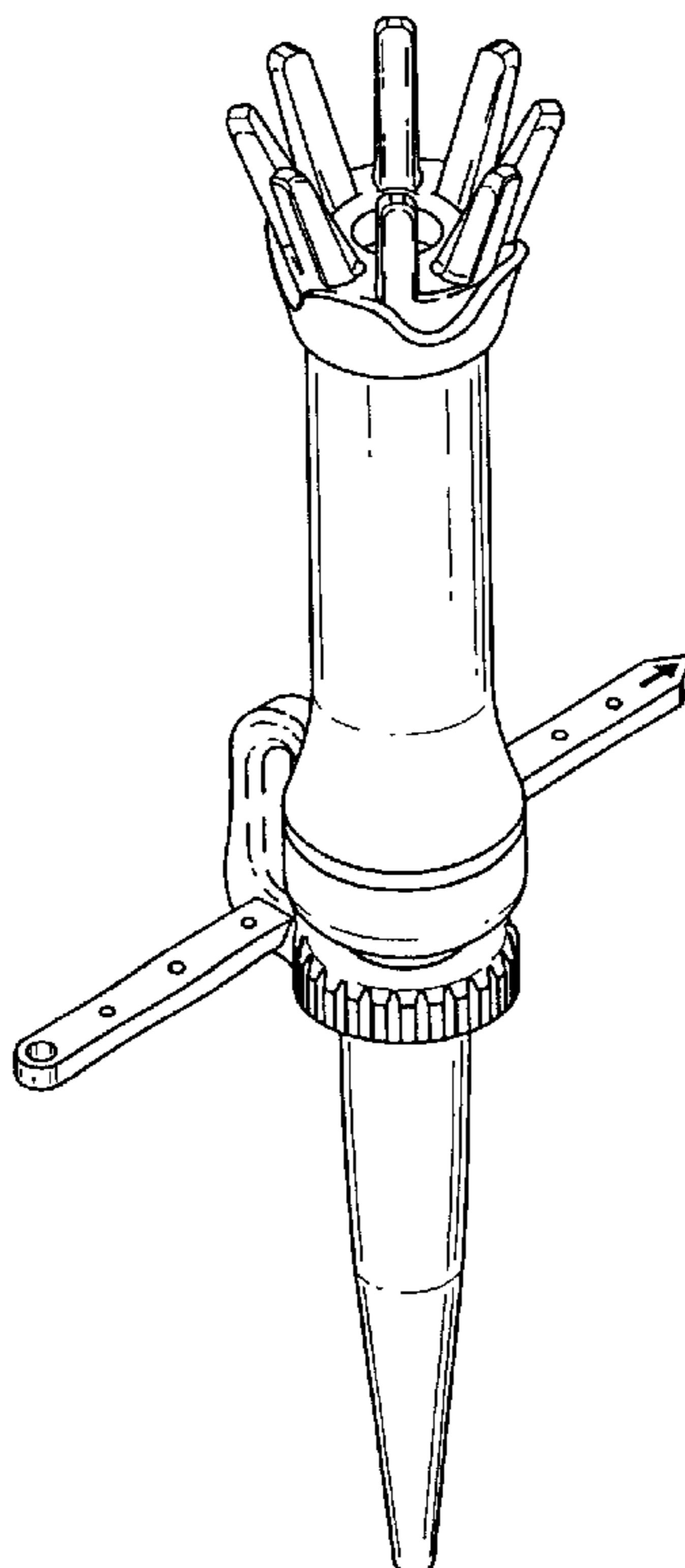


FIG. 1

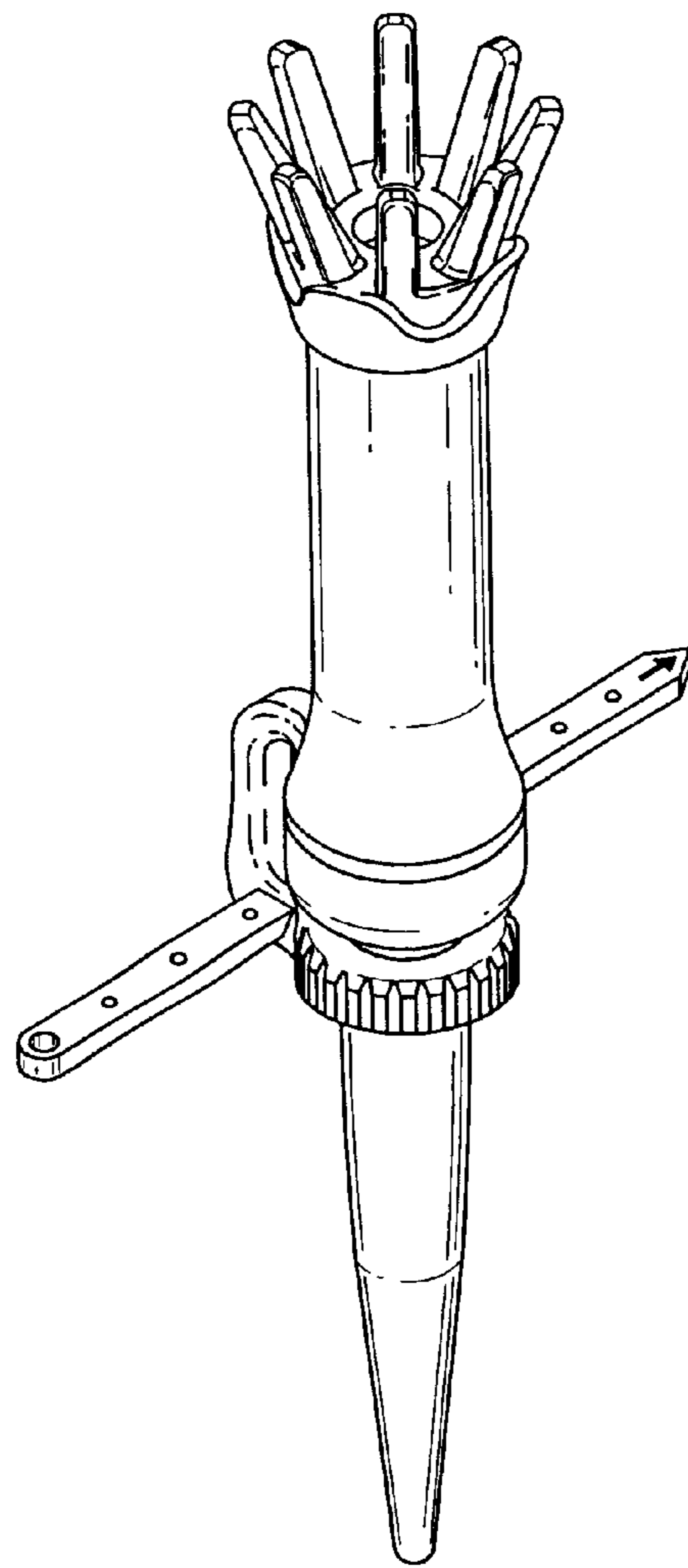


FIG. 2

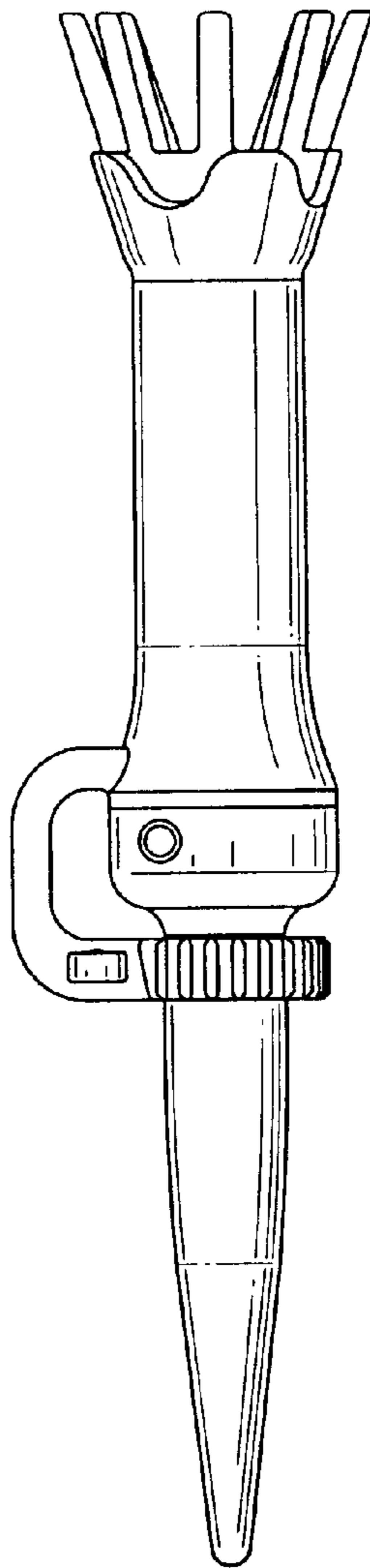


FIG. 3

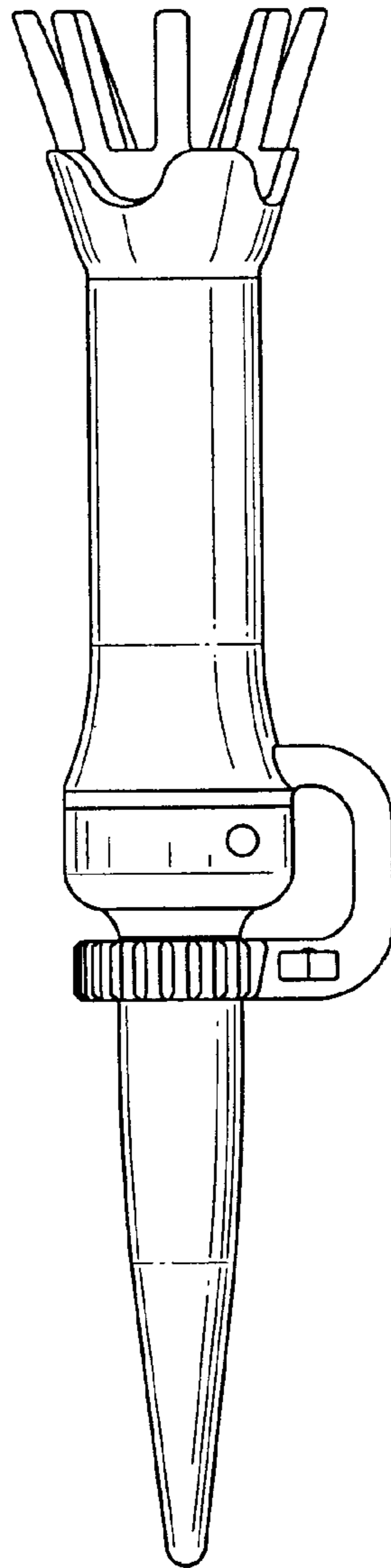


FIG. 4

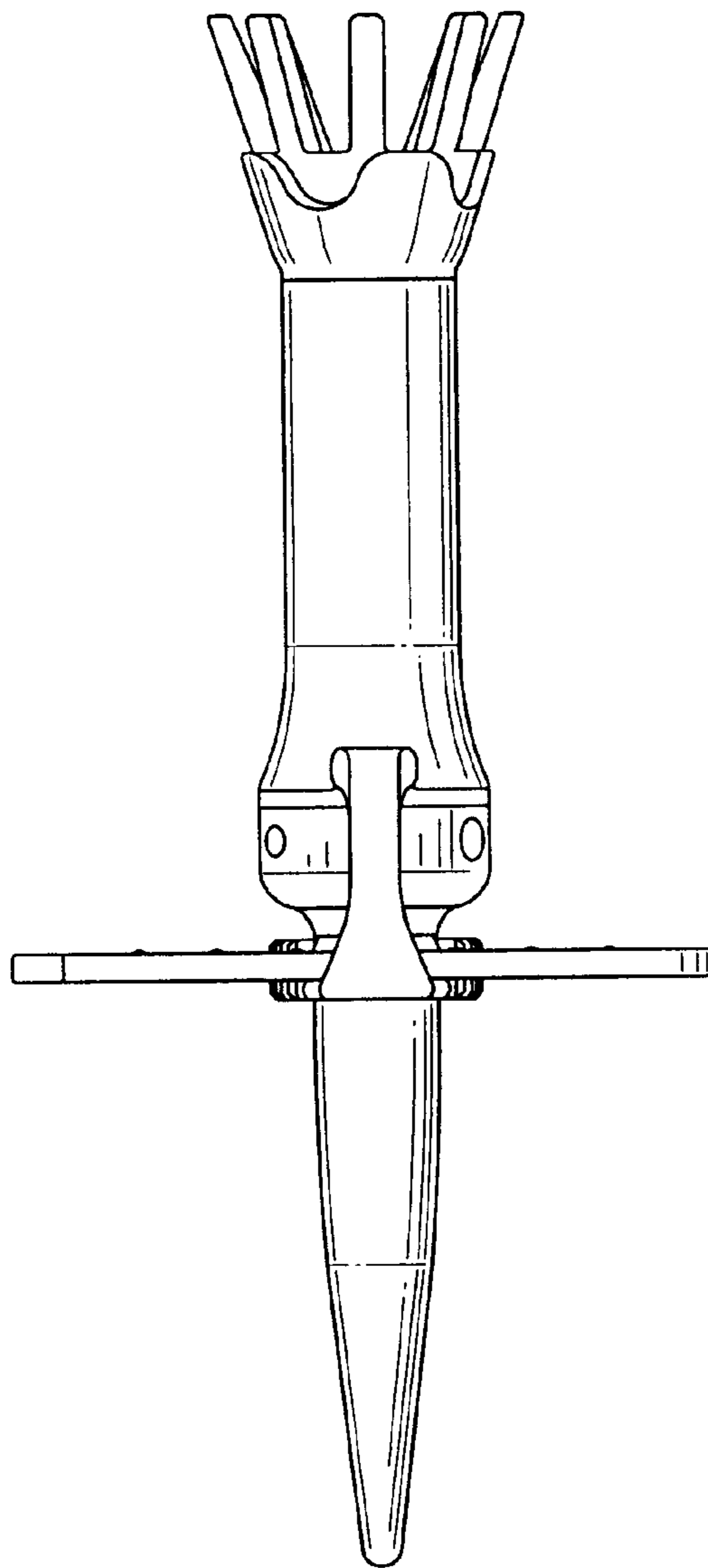
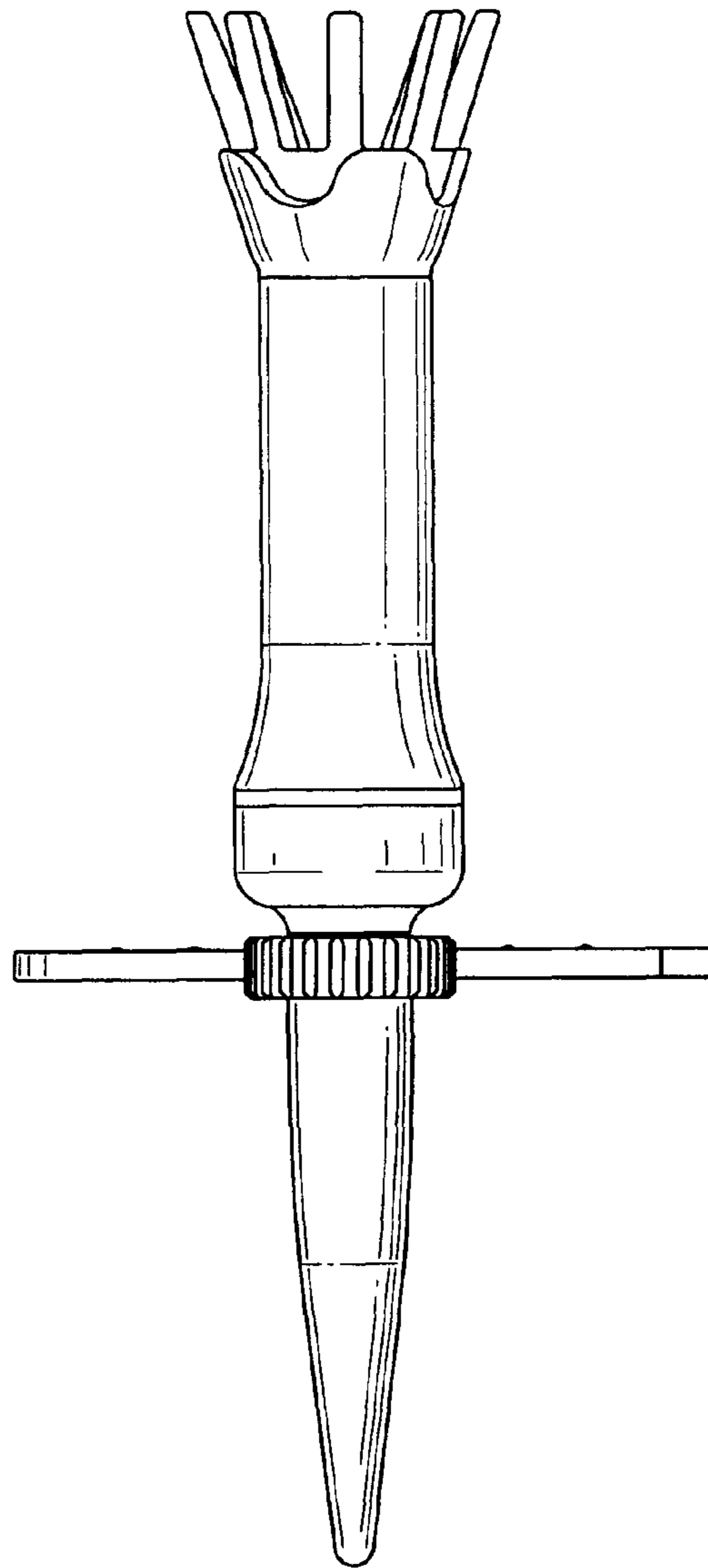


FIG. 5



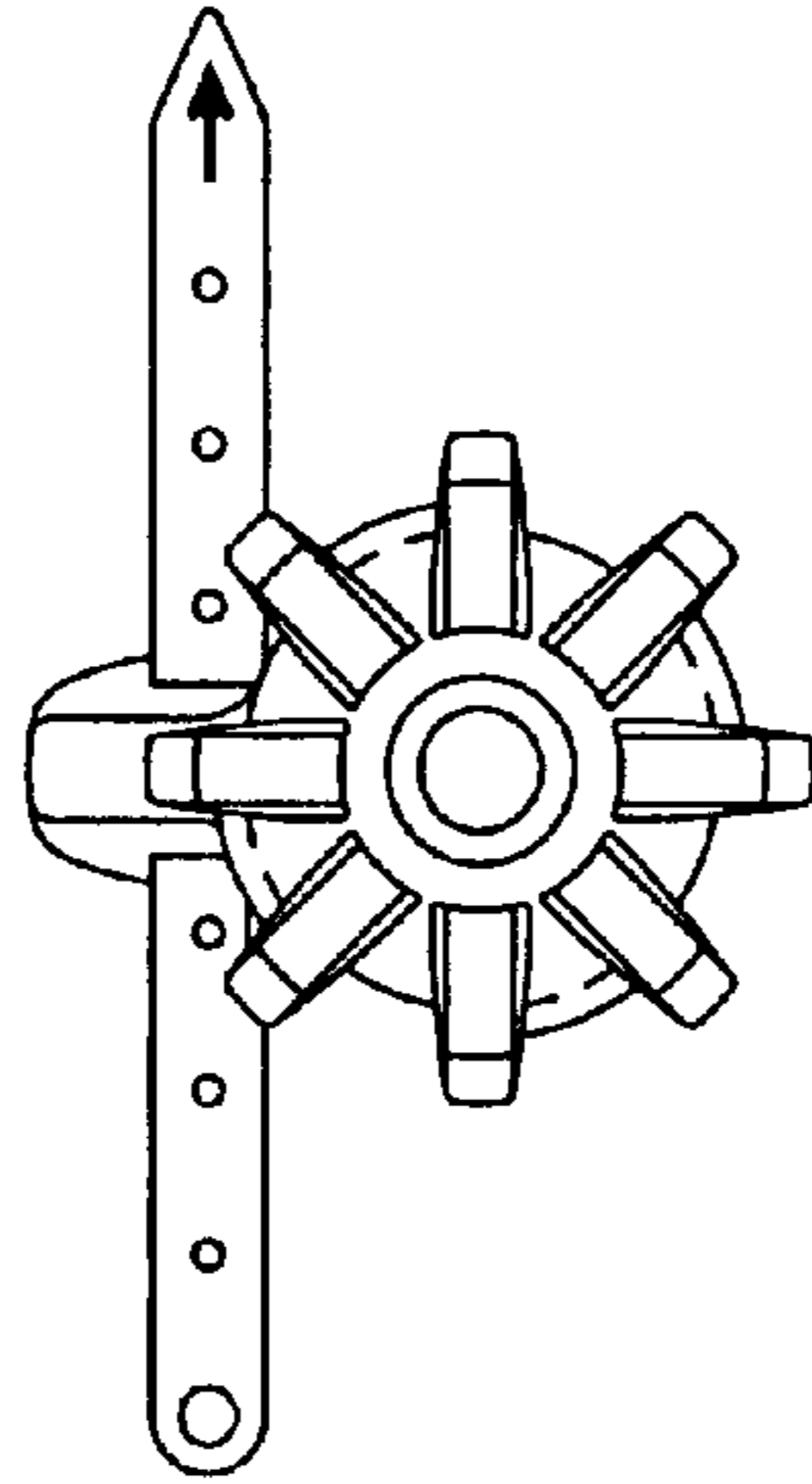


FIG. 6

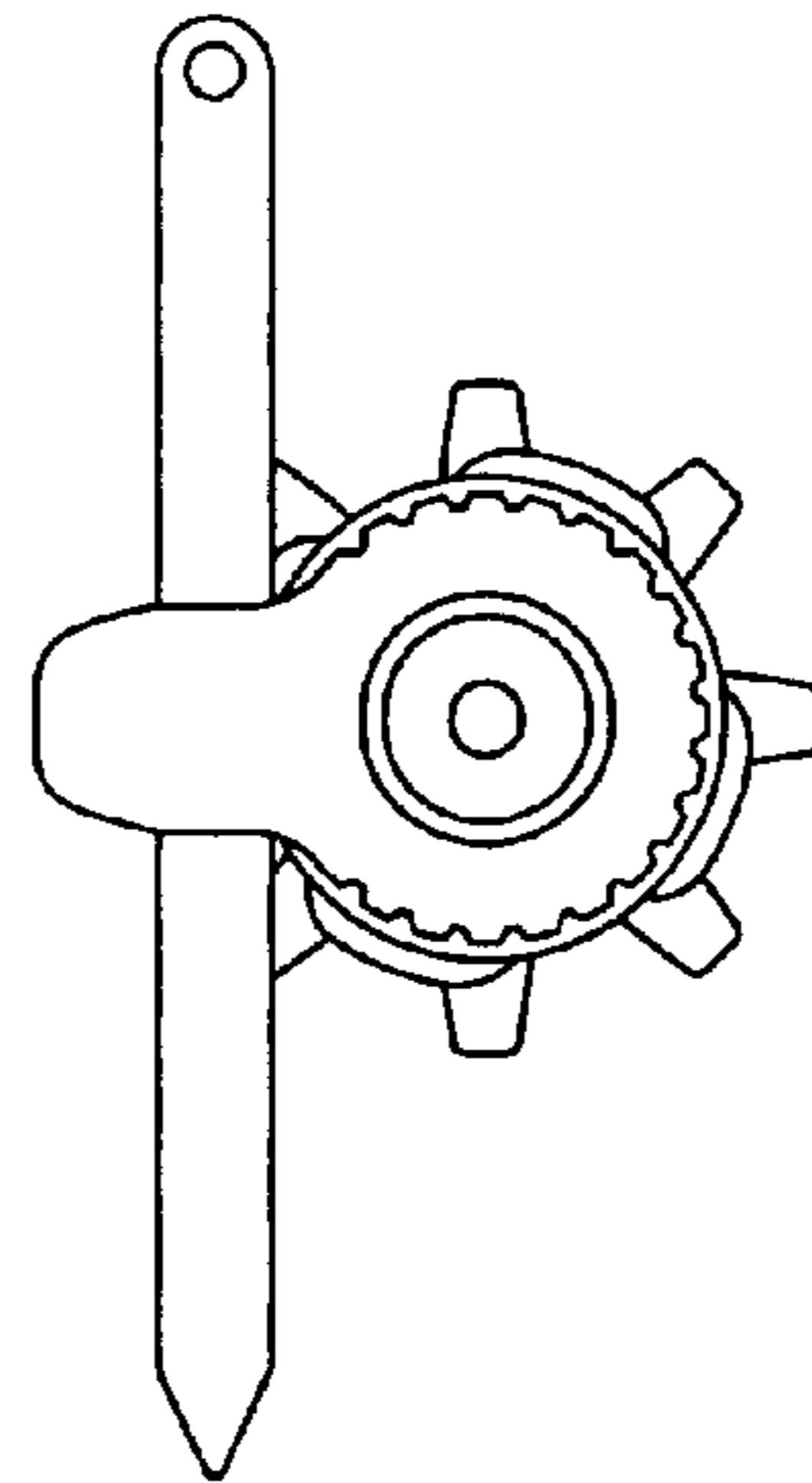


FIG. 7