



US00D543593S

(12) **United States Design Patent**
Lapointe

(10) **Patent No.:** **US D543,593 S**

(45) **Date of Patent:** **** May 29, 2007**

(54) **LIGHT UP TOY ROCKET**

D419,614 S 1/2000 Mooradian
6,079,954 A 6/2000 Kownacki et al.
6,083,127 A * 7/2000 O'Shea 473/571

(75) Inventor: **Brian Lapointe**, West Yarmouth, MA
(US)

(Continued)

(73) Assignee: **Poof-Slinky, Inc.**, Plymouth, MI (US)

OTHER PUBLICATIONS

(**) Term: **14 Years**

Poof Toys RamRocket w/Turbo Air Launcher pictured on website: <http://www.poof-slinky.com/catalog/catalog.asp?org=4&prodid=124&catid=47&start=1&action=prov&dateofretrieval:Jan.17,2007>.*

(21) Appl. No.: **29/249,713**

Item shown on webpage: <http://web.archive.org/web/20050402191048/http://www.horizonhobby.com/ProdInfo/POF/100/POF151-100.jpgs> date of posting: Apr. 2, 2005.*

(22) Filed: **Oct. 18, 2006**

(51) **LOC (8) Cl.** **21-01**

(52) **U.S. Cl.** **D21/452**

(58) **Field of Classification Search** D21/387,
D21/436, 447-454, 707-714; D12/319-345;
D26/47, 51, 57, 97; D19/36, 42, 46, 57, 66,
D19/71; D1/102, 104, 113; D9/673, 674;
446/34-69, 71, 75, 76, 88, 93, 197, 211, 212,
446/219, 225, 230-232, 399, 400, 429, 430,
446/485; 124/56-77; 362/577, 102, 109,
362/253

Primary Examiner—Catherine Tuttle
(74) *Attorney, Agent, or Firm*—Gifford, Krass, Groh Sprinkle, Anderson & Citkowski, P.C.

See application file for complete search history.

(57) **CLAIM**

The ornamental design for a light up toy rocket, as shown and described.

DESCRIPTION

(56) **References Cited**

U.S. PATENT DOCUMENTS

- 2,315,242 A * 3/1943 Briggs et al. 446/63
- 2,993,297 A 7/1961 Bednar
- D191,293 S 9/1961 Willat
- 3,021,640 A 2/1962 Moore
- 3,077,876 A * 2/1963 Richter 124/65
- 3,831,315 A 8/1974 Gilbert
- 4,076,006 A 2/1978 Breslow et al.
- 4,223,472 A 9/1980 Fekete et al.
- 4,678,450 A * 7/1987 Scolari et al. 446/405
- 4,710,146 A 12/1987 Rasmussen et al.
- 4,848,307 A 7/1989 Tsao et al.
- D324,082 S 2/1992 Howard
- 5,188,557 A 2/1993 Brown
- D351,432 S 10/1994 Dudeck et al.
- D353,414 S 12/1994 Crane
- 5,653,215 A 8/1997 Chung et al.
- 5,653,216 A * 8/1997 Johnson 124/69
- 5,873,766 A * 2/1999 Burton 446/421

FIG. 1 is a perspective view of the toy rocket according to the present design;

FIG. 2 is a partially exploded perspective view of the present design;

FIG. 3 is a right side elevational view of the partially exploded design of FIG. 2 illustrating the projectile portion in a first rotational position;

FIG. 4 is a succeeding side elevational view illustrating the projectile in a further rotated position;

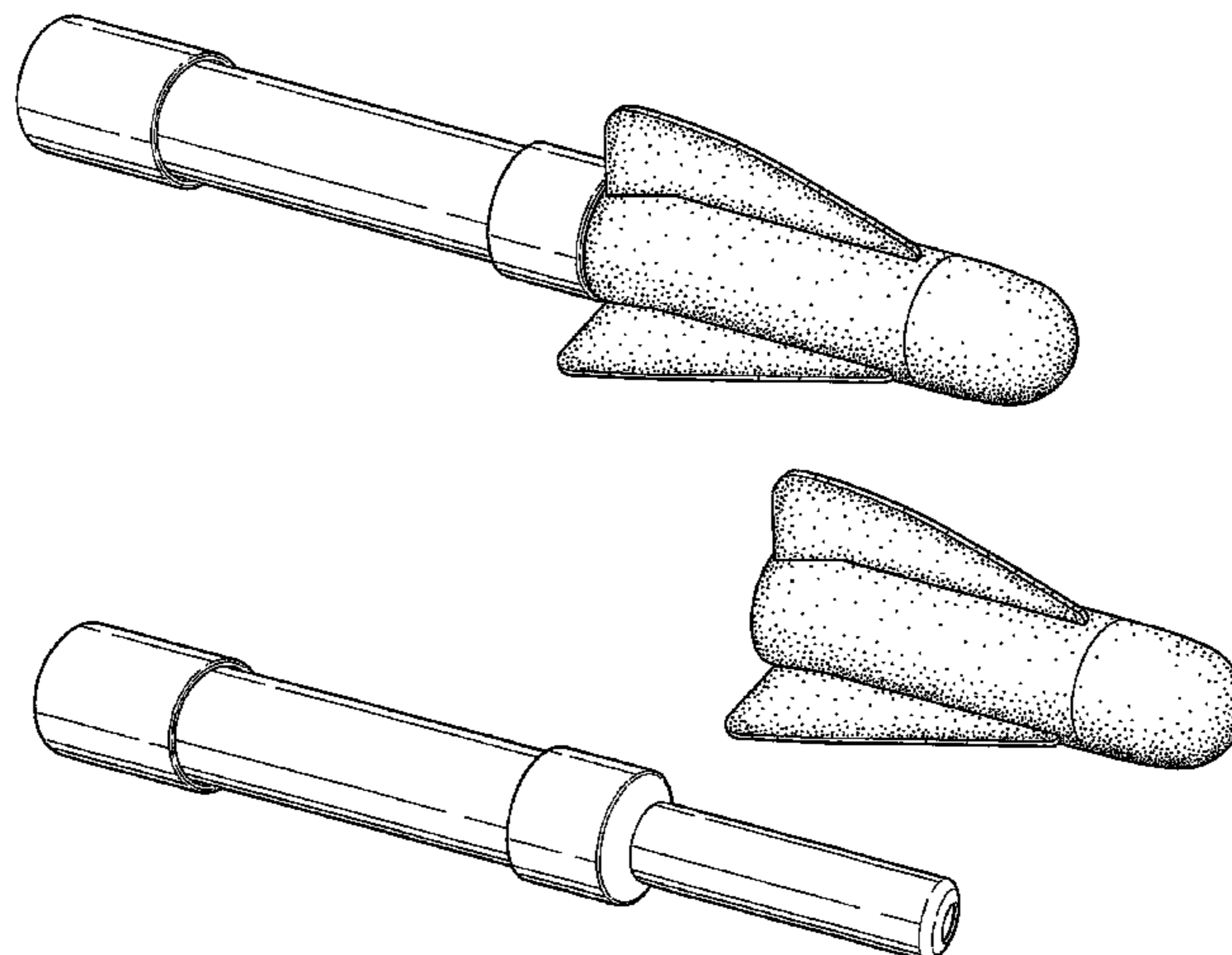
FIG. 5 is a left side elevational view of the partially exploded design of FIG. 2 illustrating the projectile in a further rotational position;

FIG. 6 is a succeeding side elevational view illustrating the projectile in a still further rotational position;

FIG. 7 is a front elevational view of the partially exploded illustration of FIG. 2; and,

FIG. 8 is a corresponding rear elevational view of FIG. 2.

1 Claim, 4 Drawing Sheets



US D543,593 S

Page 2

U.S. PATENT DOCUMENTS			
D438,914 S	3/2001	O'Rourke et al.	
D445,462 S *	7/2001	Paivanas	D21/447
6,321,737 B1	11/2001	Johnson et al.	
6,361,393 B1 *	3/2002	Seymour	446/34
			* cited by examiner
		6,532,948 B2 *	3/2003 Grichen 124/71
		6,568,985 B1 *	5/2003 Binkley 446/176
		6,808,436 B1 *	10/2004 Siu 446/231
		6,957,526 B1	10/2005 Lin et al.

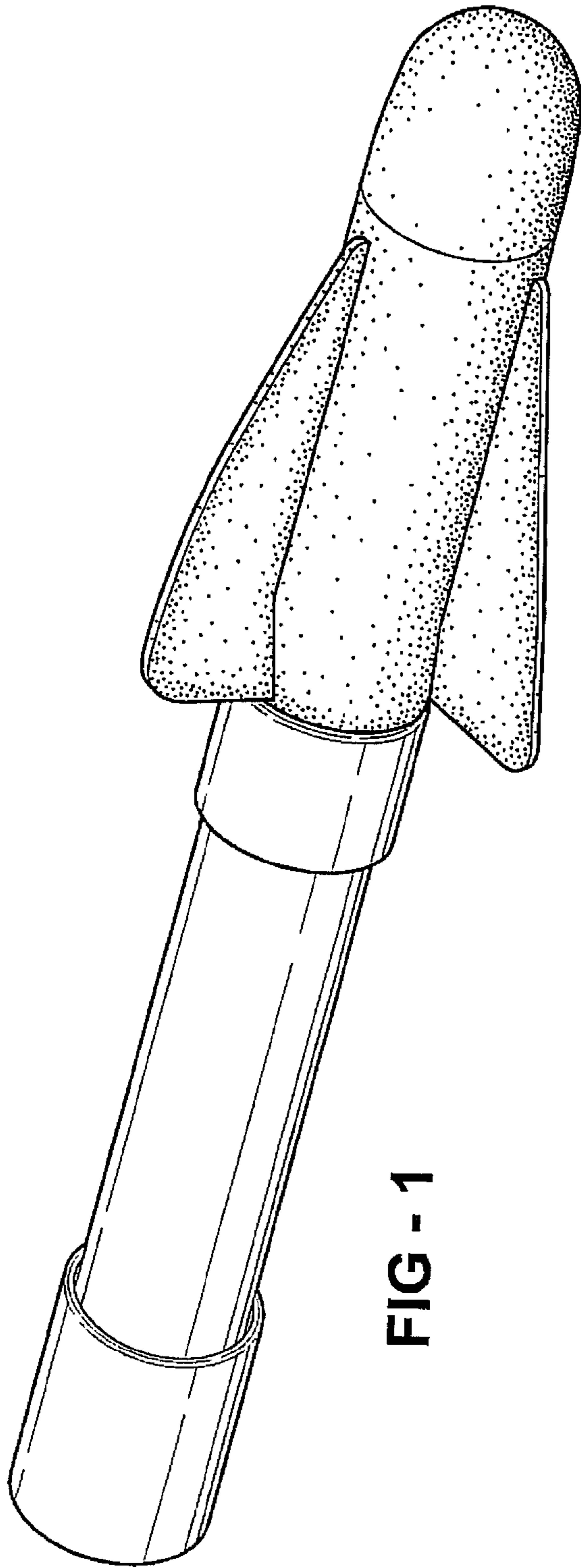


FIG - 1

FIG - 7

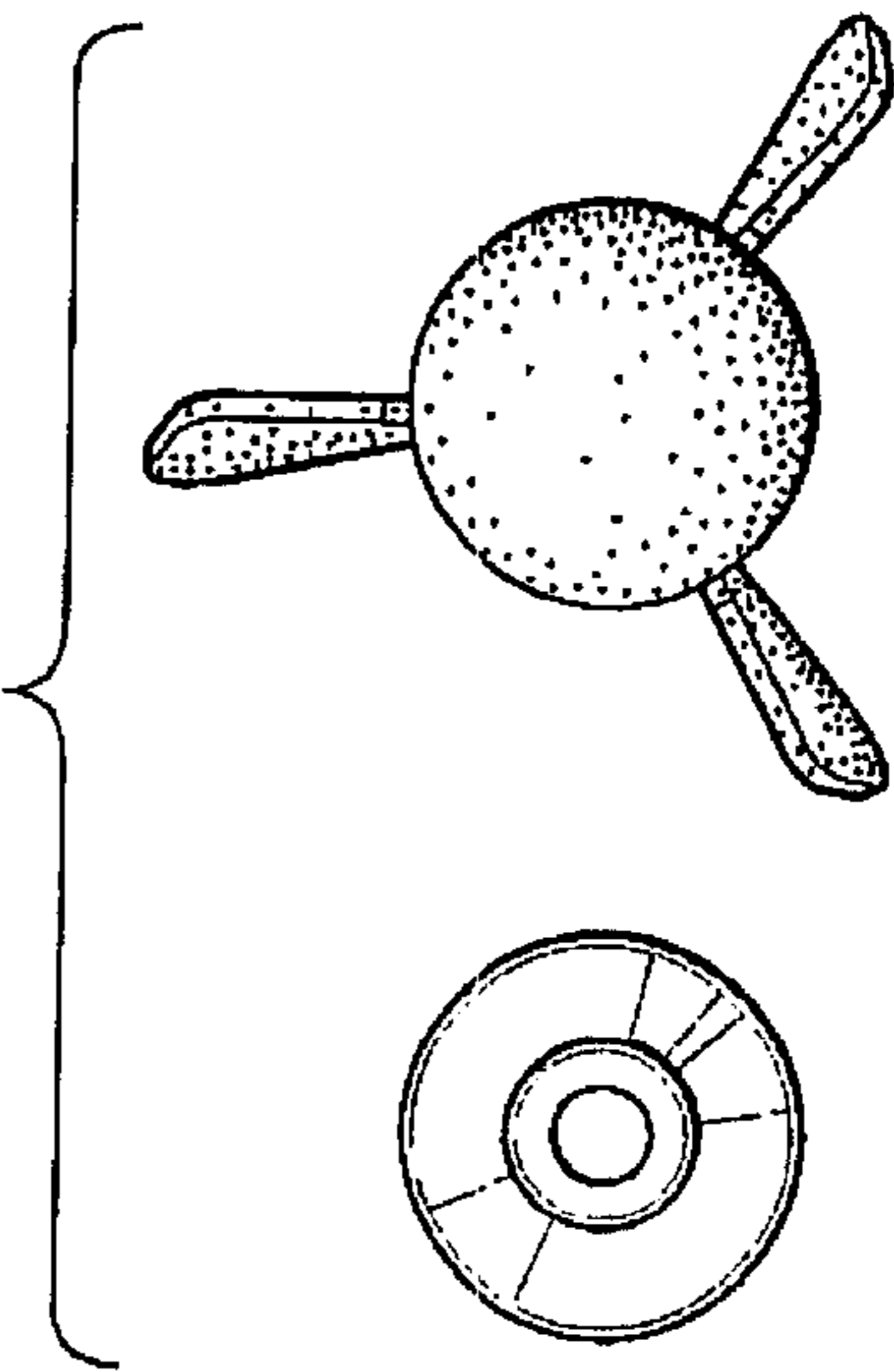
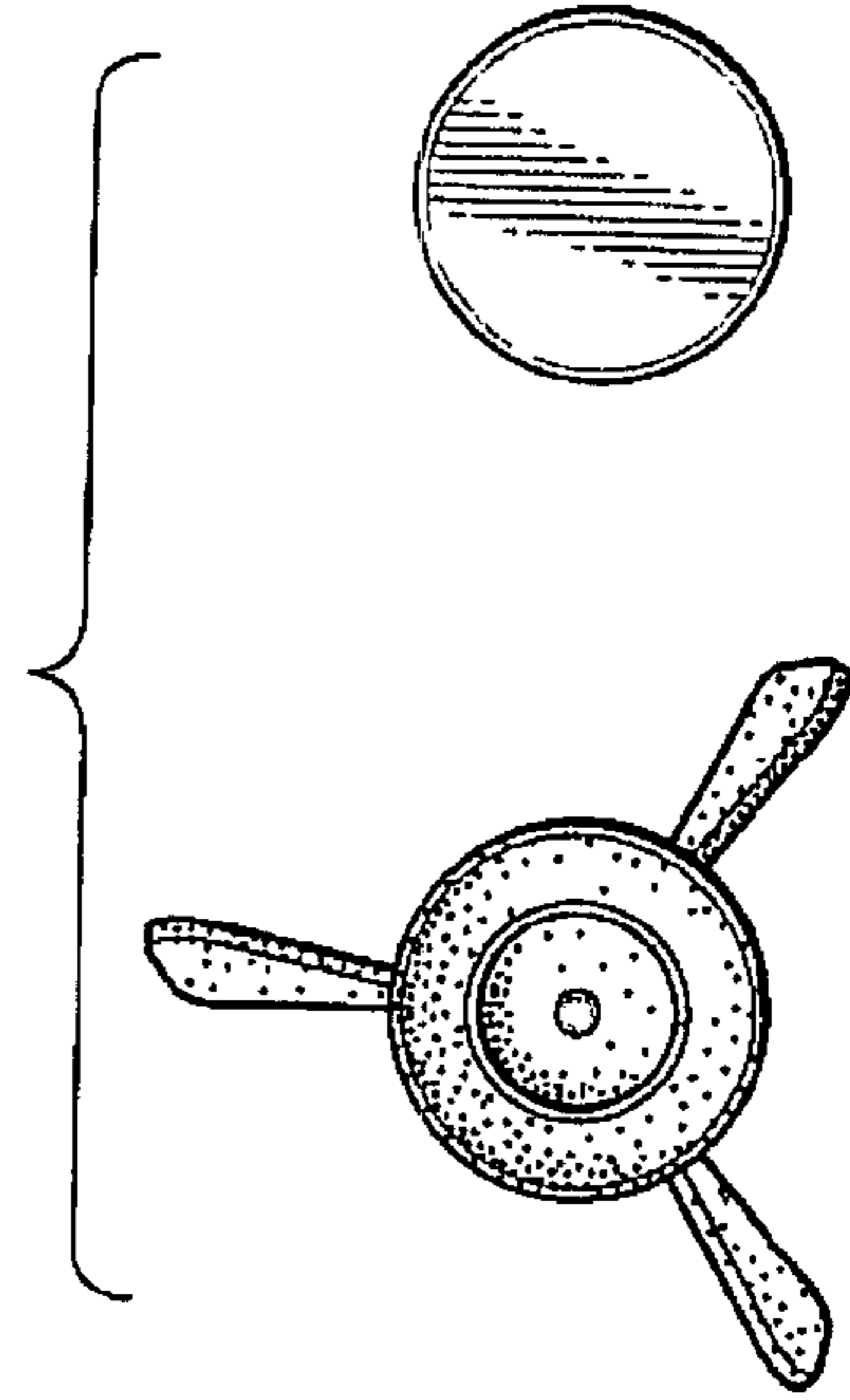


FIG - 8



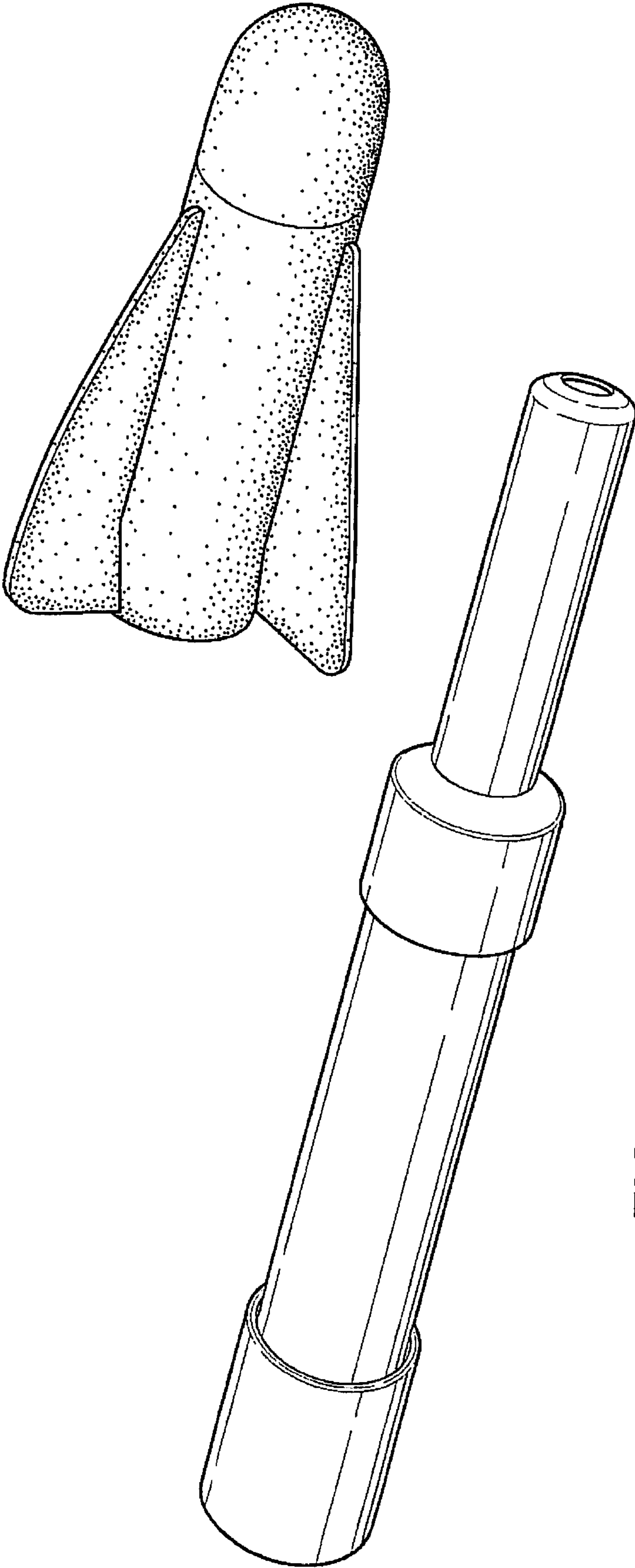
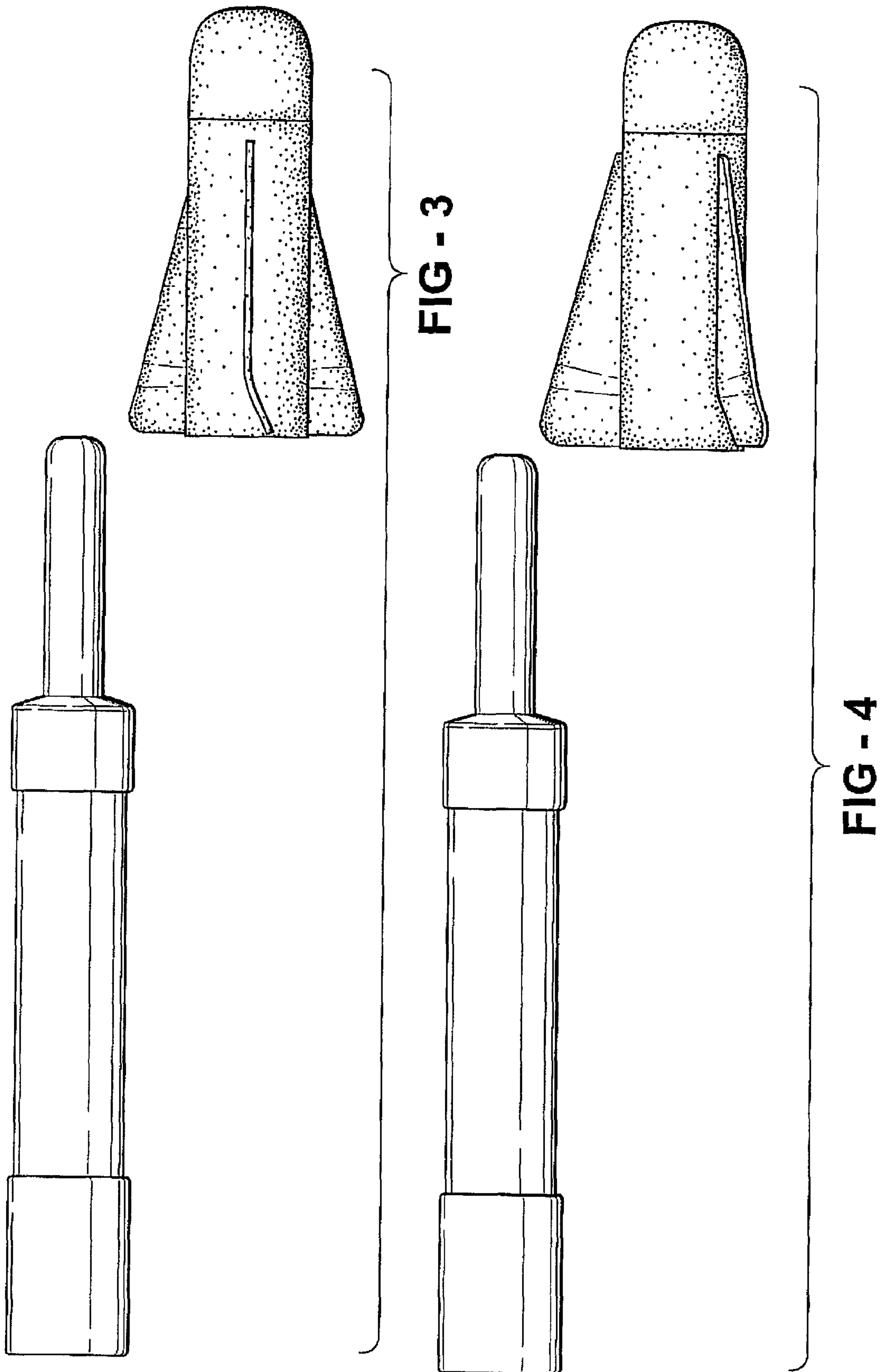


FIG - 2



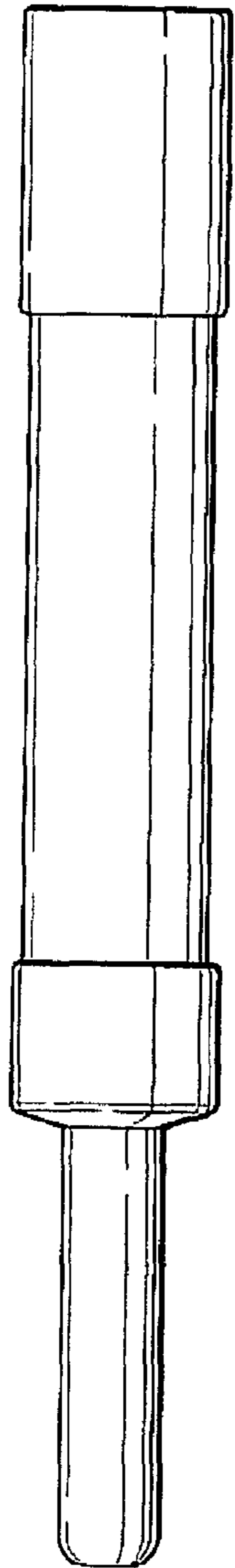


FIG - 5

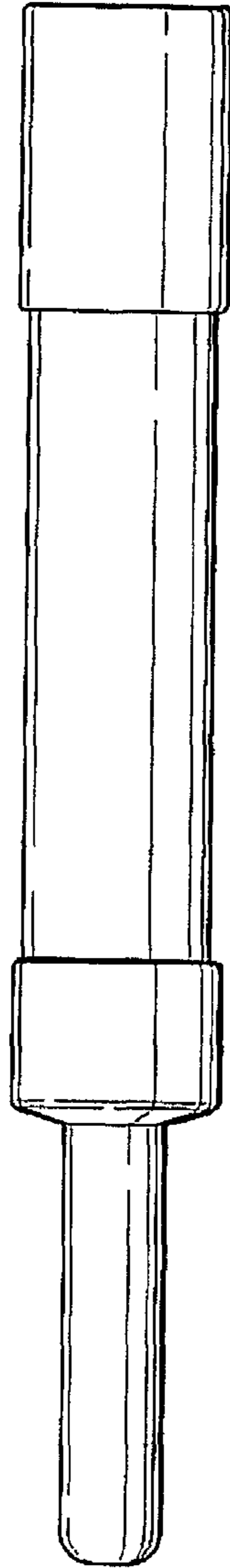


FIG - 6

