

US00D543592S

(12) **United States Design Patent**
Singh et al.

(10) **Patent No.:** **US D543,592 S**

(45) **Date of Patent:** **** May 29, 2007**

(54) **GAME TICKET**

(75) Inventors: **Michael A. Singh**, Lakewood, OH (US); **Fedele R. Rossi**, Vermillion, OH (US); **Sterling E. Lani Bradley**, North Olmsted, OH (US); **Robert G. Stancik**, Chagrin Falls, OH (US); **Jim A. Schaffnit**, North Ridgeville, OH (US)

(73) Assignee: **Arrow International, Inc.**, Cleveland, OH (US)

(**) Term: **14 Years**

(21) Appl. No.: **29/221,337**

(22) Filed: **Jan. 13, 2005**

(51) **LOC (8) Cl.** **21-01**

(52) **U.S. Cl.** **D21/377**

(58) **Field of Classification Search** D19/11;
D20/22; D21/377, 385, 386, 96; 273/292-293,
273/148 R; 283/105, 903

See application file for complete search history.

(56) **References Cited**

U.S. PATENT DOCUMENTS

D46,315 S	*	8/1914	Mettler	D20/22
2,180,808 A	*	11/1939	Jacobstein et al.	283/105
D236,657 S	*	9/1975	Reeves	D20/22
4,775,155 A		10/1988	Lees		
4,850,618 A	*	7/1989	Halladay, Jr.	283/94
5,562,284 A	*	10/1996	Stevens	283/903
5,630,627 A	*	5/1997	Stewart	283/105
D382,911 S	*	8/1997	Magner et al.	D20/22
5,949,042 A	*	9/1999	Dietz et al.	235/375
5,988,688 A	*	11/1999	Such	283/903

6,106,019 A	*	8/2000	Such	283/105
6,234,477 B1	*	5/2001	Scrymgeour et al.	283/903
6,305,687 B1		10/2001	Pollock et al.		
6,447,395 B1	*	9/2002	Stevens	283/903
6,543,808 B1	*	4/2003	Mitchell et al.	283/903
6,659,458 B1	*	12/2003	Peters et al.	283/903
6,698,755 B2		3/2004	Cherry		

OTHER PUBLICATIONS

“Seal and Event Tickets—2004”, Arrow International, Inc., vol. 1, Cover page and pp. 4, 6, 8, 10 and 13–21.

Photographic specimens of Bonanza Press “Top Ticket” tickets, copyright 2003 (3 pages).

* cited by examiner

Primary Examiner—Sandra L. Morris

(74) *Attorney, Agent, or Firm*—Fay, Sharpe, Fagan, Minnich & McKee, LLP

(57) **CLAIM**

The ornamental design for a game ticket, as shown and described.

DESCRIPTION

FIG. 1 is a bottom perspective view of a game ticket according to our new design;

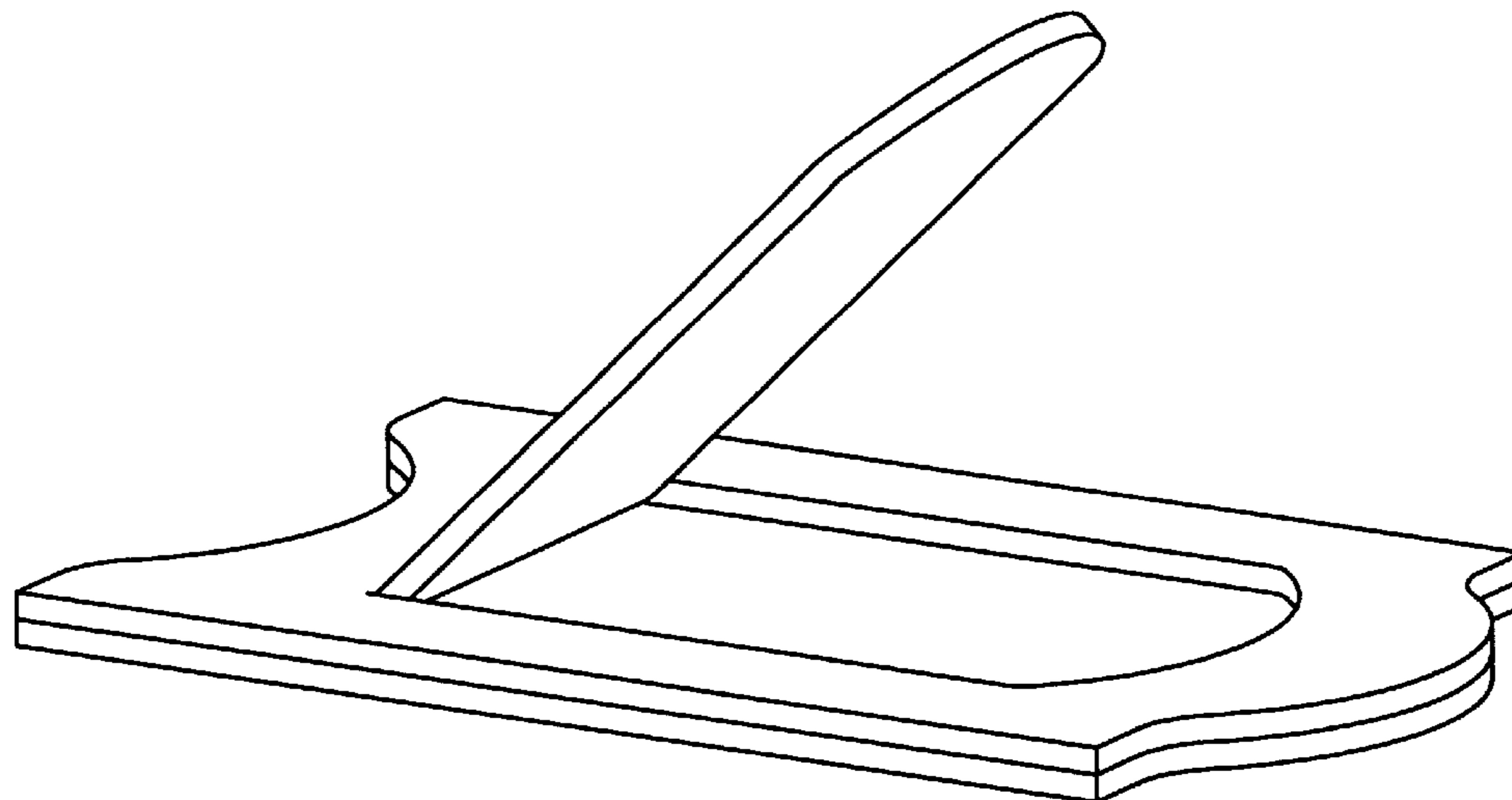
FIG. 2 is a top plan view thereof, the broken line representing a perforation;

FIG. 3 is a bottom plan view thereof;

FIG. 4 is a right side elevational view thereof, with a left side elevational view being a mirror image thereof; and,

FIG. 5 is a top perspective view thereof, with a flap of the game ticket being open.

1 Claim, 2 Drawing Sheets



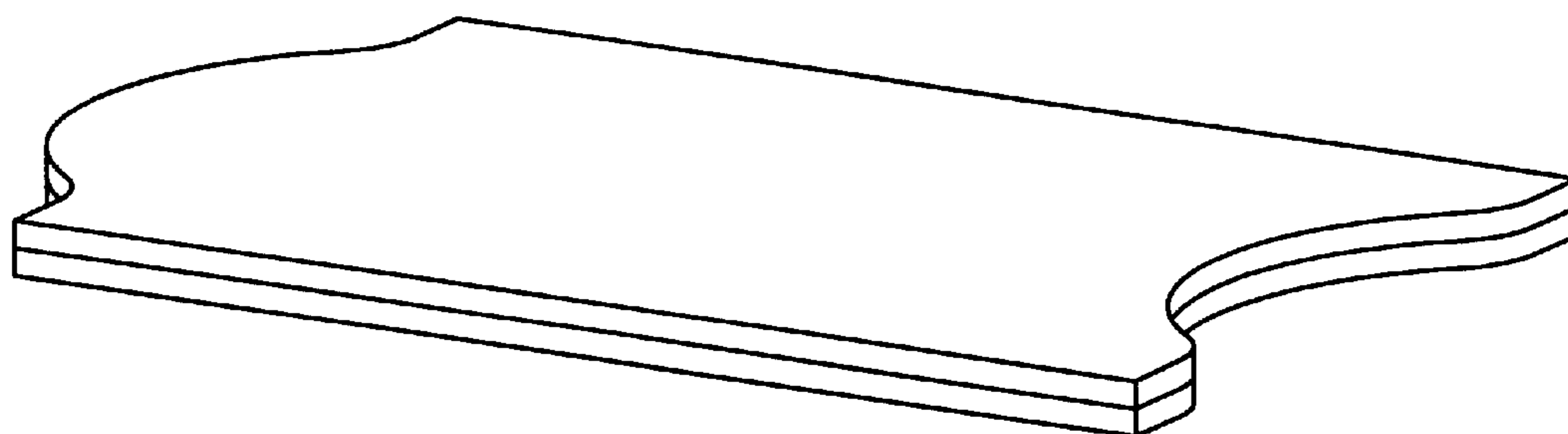


FIG. 1

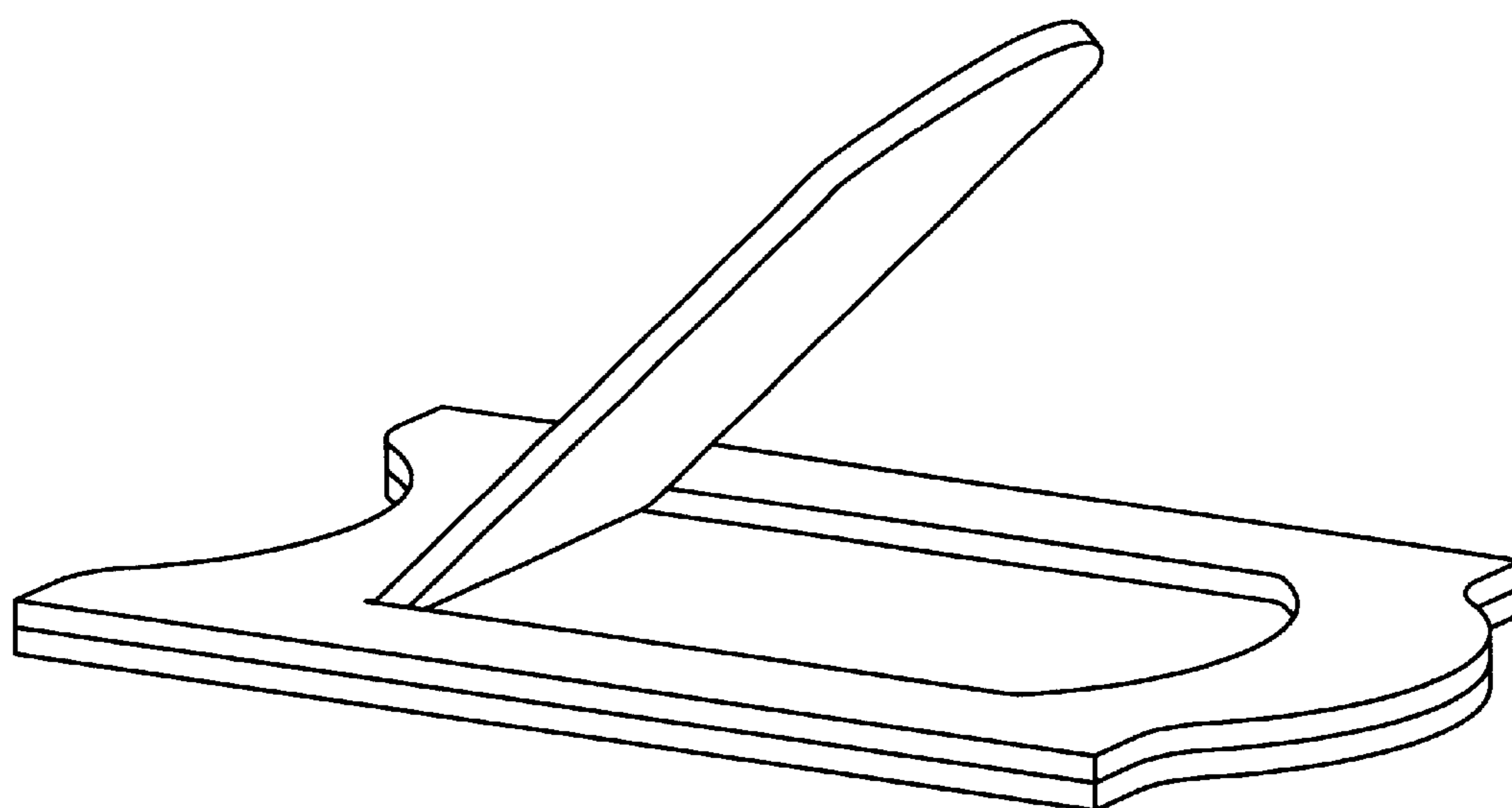


FIG. 5

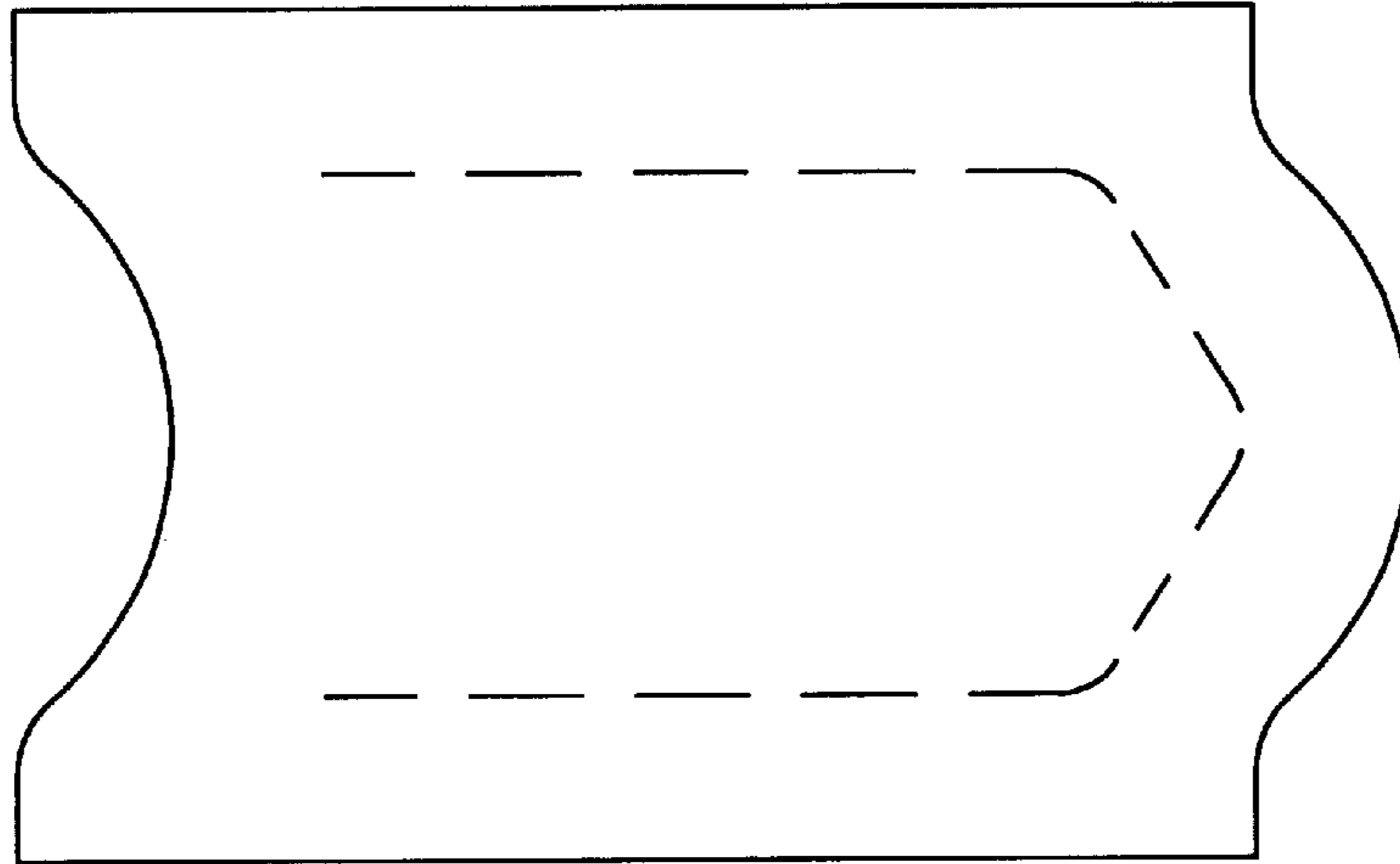


FIG. 2

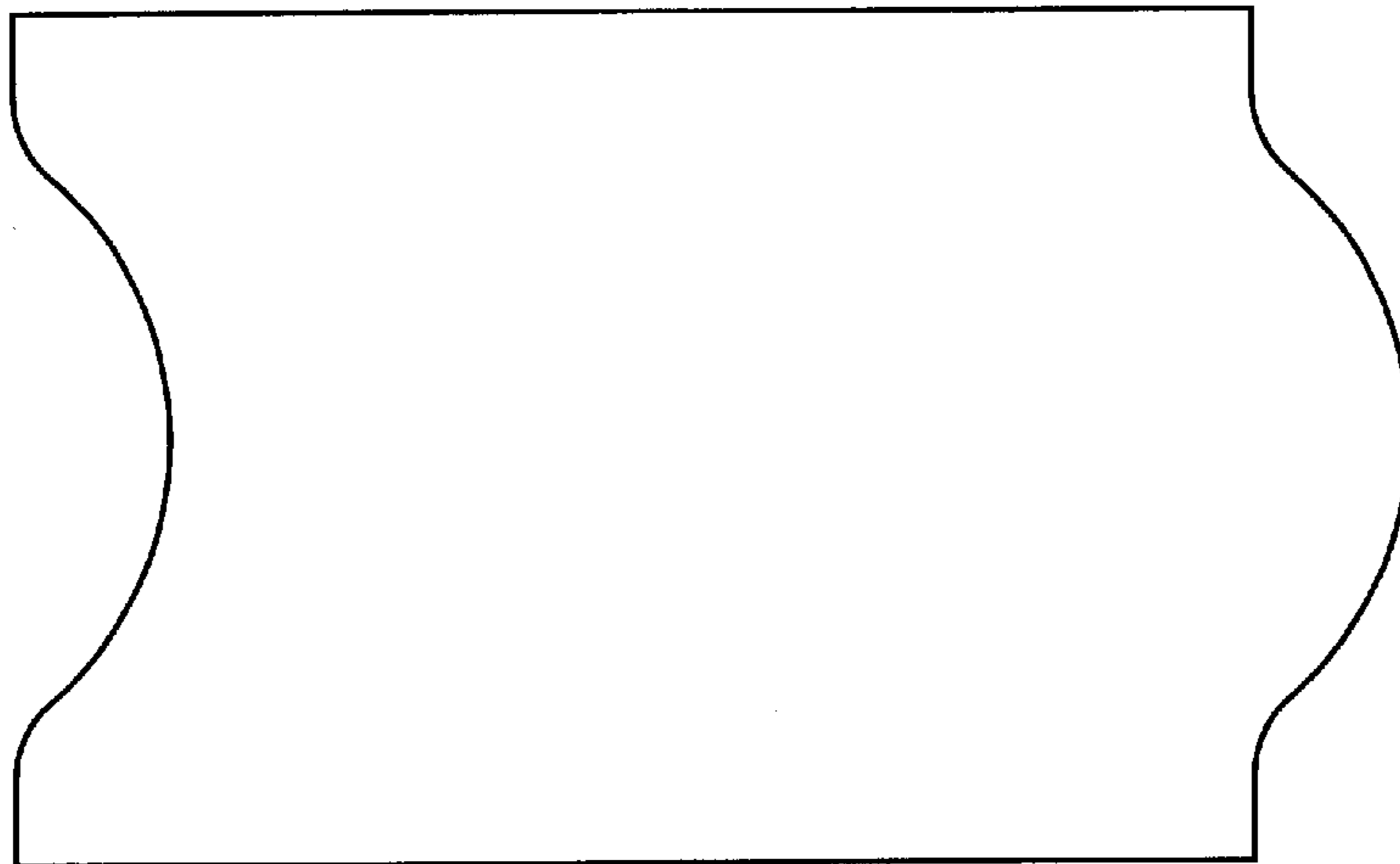


FIG. 3

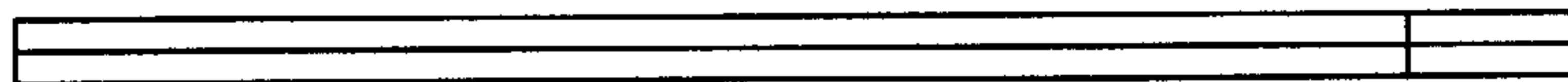


FIG. 4