

US00D543591S

(12) **United States Design Patent**
Simasko

(10) **Patent No.:** **US D543,591 S**

(45) **Date of Patent:** **** May 29, 2007**

(54) **ADVERTISING DEVICE**

(75) Inventor: **Thomas M. Simasko**, Mt. Clemens, MI
(US)

(73) Assignee: **Spirit Realty, Inc.**, Mt. Clemens, MI
(US)

(**) Term: **14 Years**

(21) Appl. No.: **29/252,980**

(22) Filed: **Jan. 31, 2006**

(51) **LOC (8) Cl.** **20-02**

(52) **U.S. Cl.** **D20/43; D20/42; D20/99**

(58) **Field of Classification Search** D20/10,
D20/11, 13, 15, 17, 22, 27, 40, 42, 43, 99;
D8/354; D12/193, 400; D19/89, 90; 40/124.01,
40/200, 206, 209, 210, 591, 592, 593, 643;
428/179, 914

See application file for complete search history.

(56) **References Cited**

U.S. PATENT DOCUMENTS

2,608,294	A	*	8/1952	Ward	206/362.1
3,291,098	A	*	12/1966	Halpert	119/252
4,182,059	A	*	1/1980	Greene	40/377
4,960,067	A	*	10/1990	Currie	116/28 R
4,962,860	A	*	10/1990	Lehmann	211/88.01
D315,446	S	*	3/1991	Dietterich et al.	D3/206
D321,446	S	*	11/1991	Liptak	D6/475
D326,789	S	*	6/1992	Davis	D20/42
5,595,300	A	*	1/1997	Paik et al.	206/449
5,850,957	A	*	12/1998	Morris	224/277
5,960,586	A	*	10/1999	Chen	47/40
D434,083	S	*	11/2000	Vance	D20/42

D481,533	S	*	11/2003	McGillivray et al.	D3/206
6,644,606	B1	*	11/2003	Seidel	248/220.41
6,745,925	B2	*	6/2004	Brzyski	224/482
D501,892	S	*	2/2005	Perry	D20/42
D527,426	S	*	8/2006	Mason	D20/43

* cited by examiner

Primary Examiner—Robert M. Spear

(74) *Attorney, Agent, or Firm*—Dobrusin & Thennisch PC

(57) **CLAIM**

The ornamental design for an advertising device, as shown and described.

DESCRIPTION

FIG. 1 is a perspective view of one embodiment of the present invention.

FIG. 2 is another perspective view of the embodiment shown in FIG. 1.

FIG. 3 is a front elevational view of the embodiment shown in FIG. 1.

FIG. 4 is a side elevational view of the embodiment shown in FIG. 1.

FIG. 5 is a top elevational view of the embodiment shown in FIG. 1.

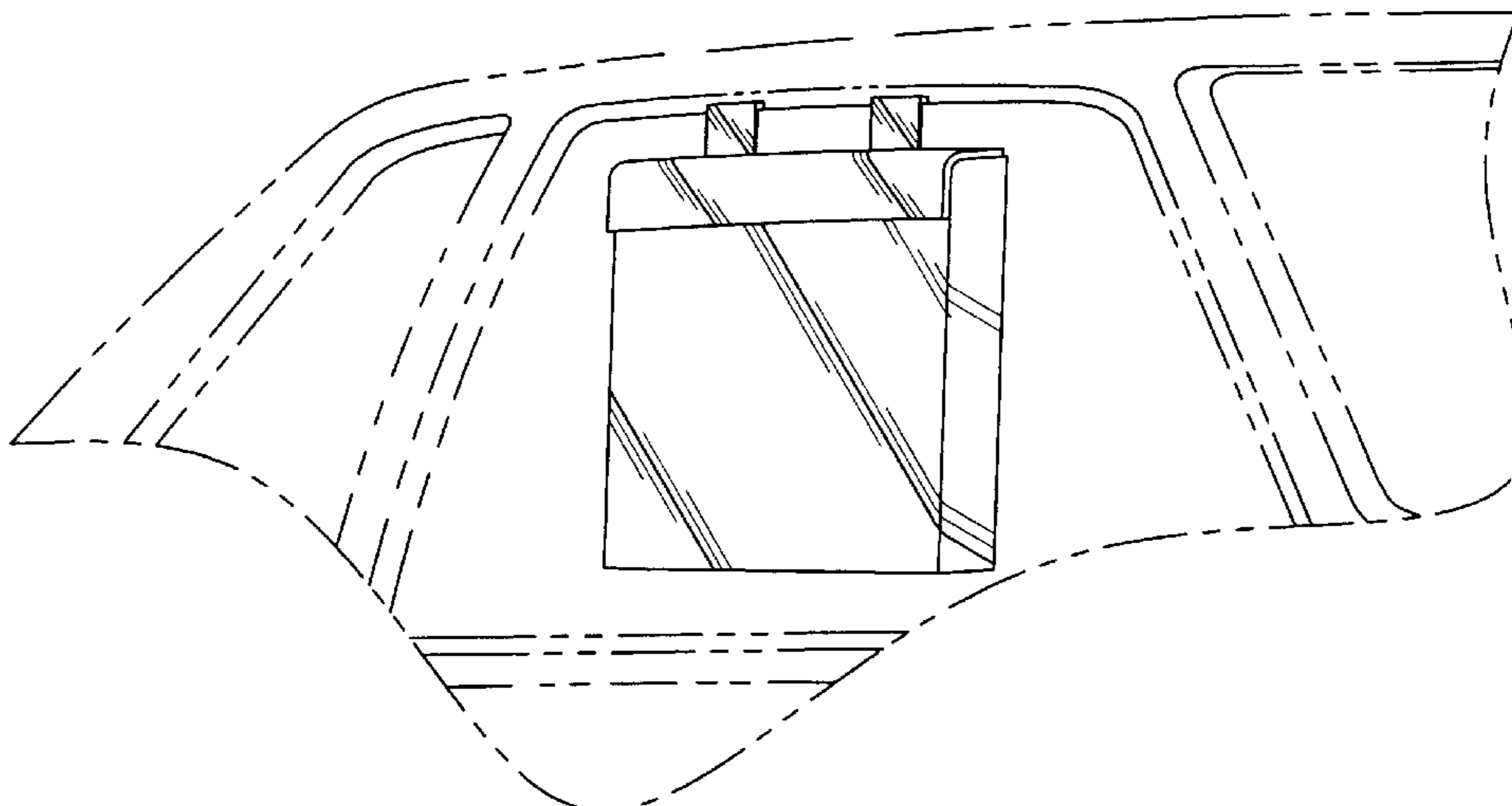
FIG. 6 is a back elevational view of the embodiment shown in FIG. 1.

FIG. 7 is a bottom elevational view of the embodiment shown in FIG. 1; and,

FIG. 8 is a perspective view of another embodiment of the present invention.

The broken lines showing environment in the drawings are for illustrative purposes only and form no part of the claimed design.

1 Claim, 4 Drawing Sheets



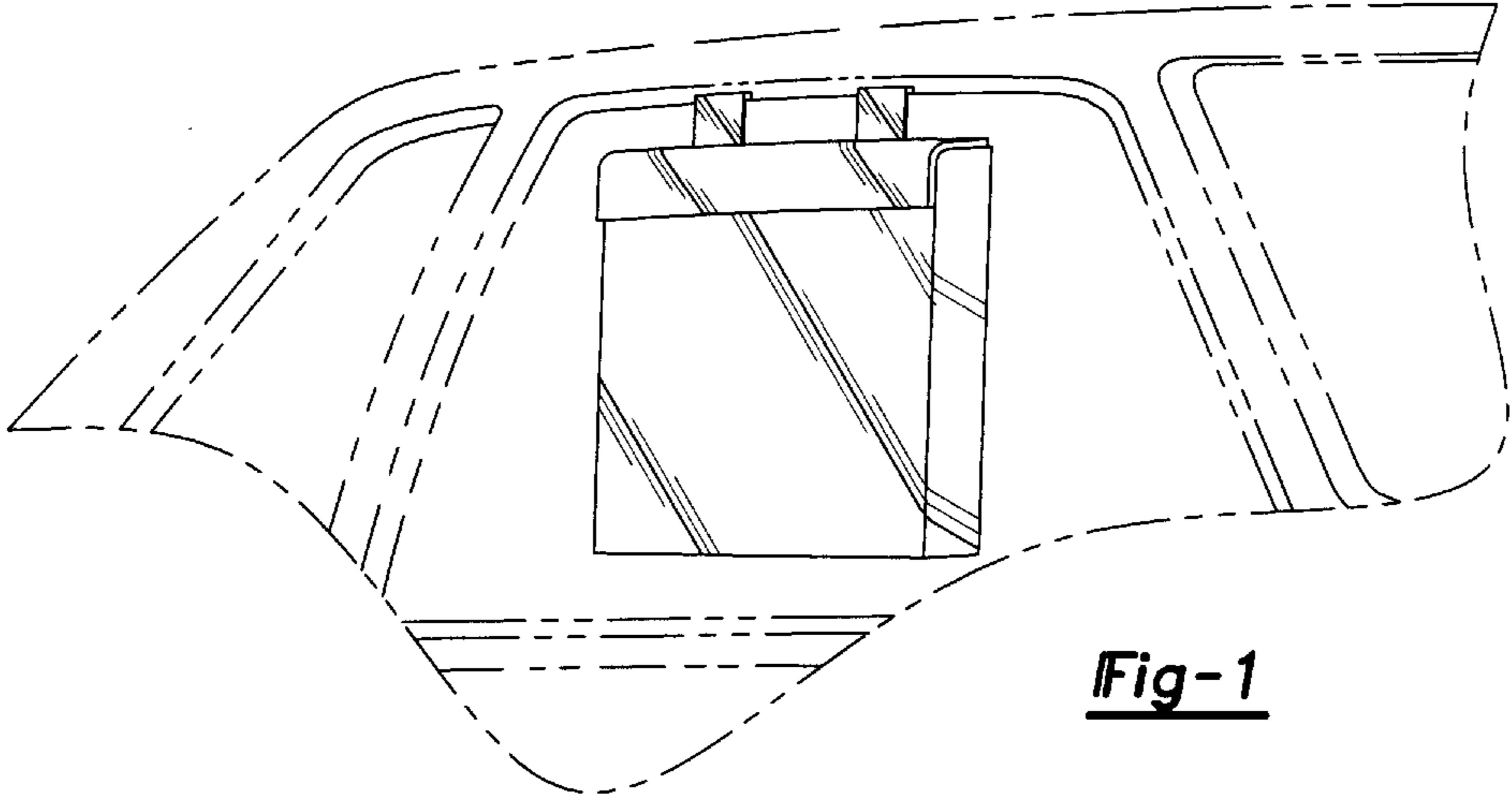


Fig-1

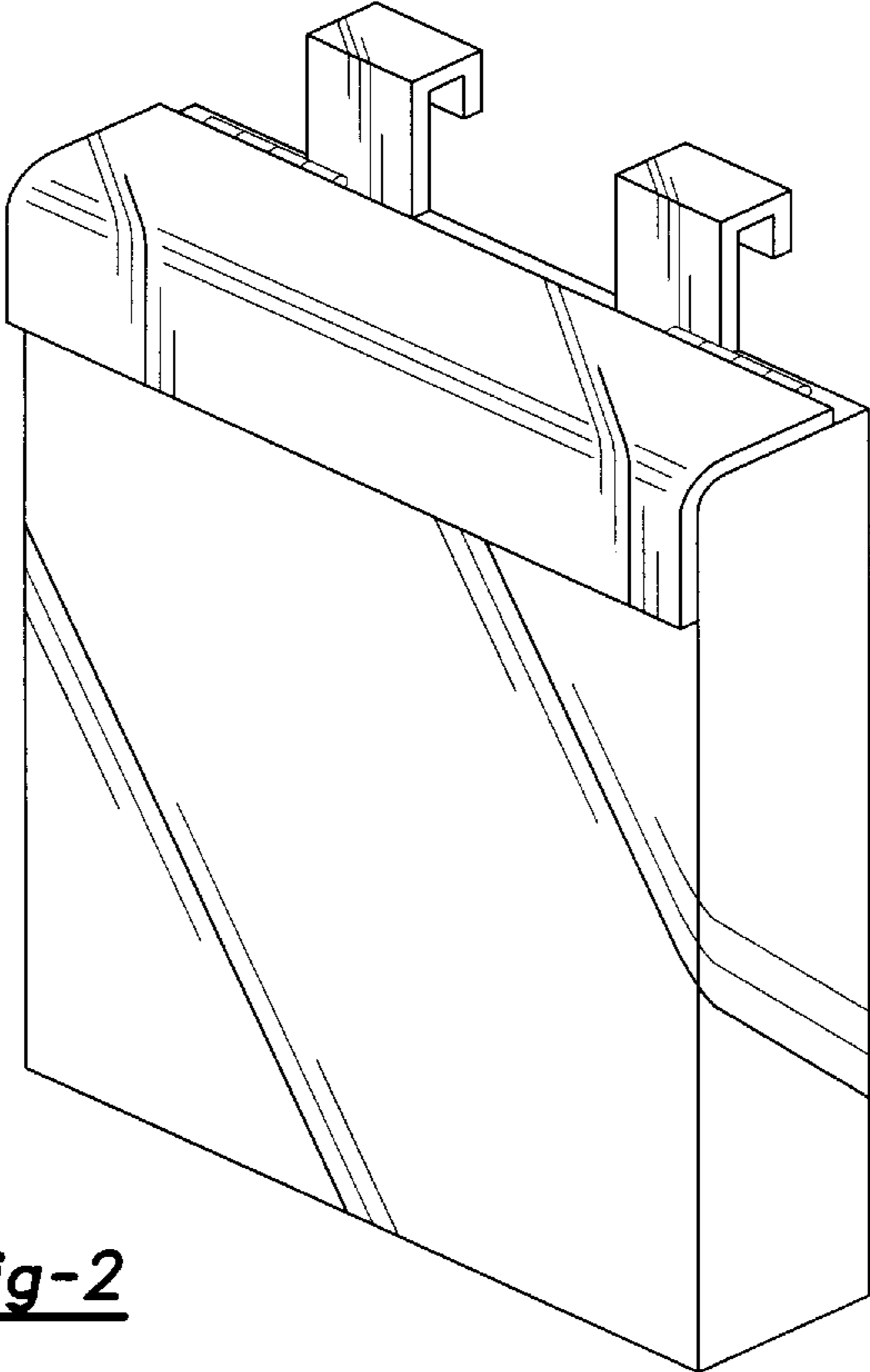


Fig-2

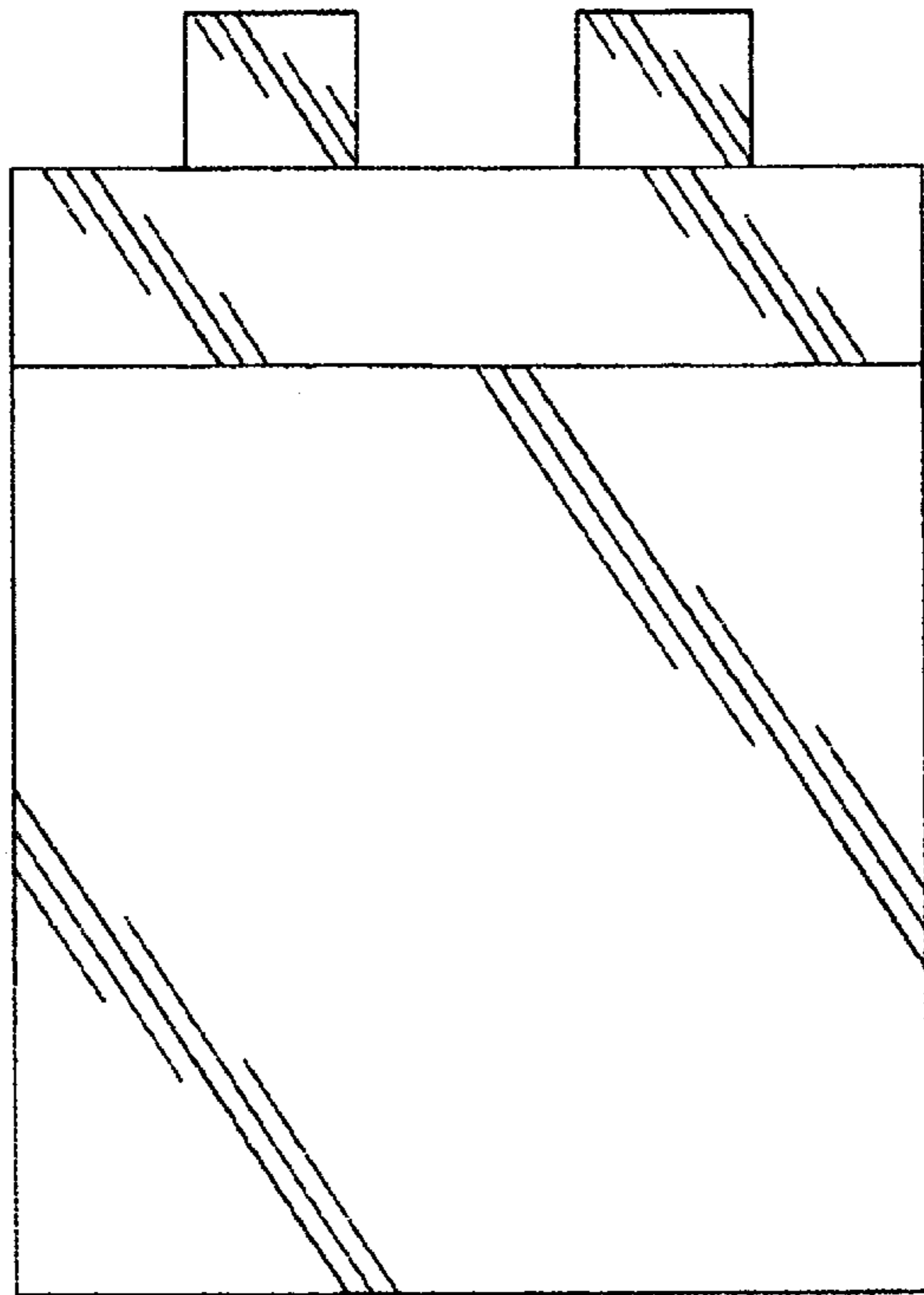


Fig-3

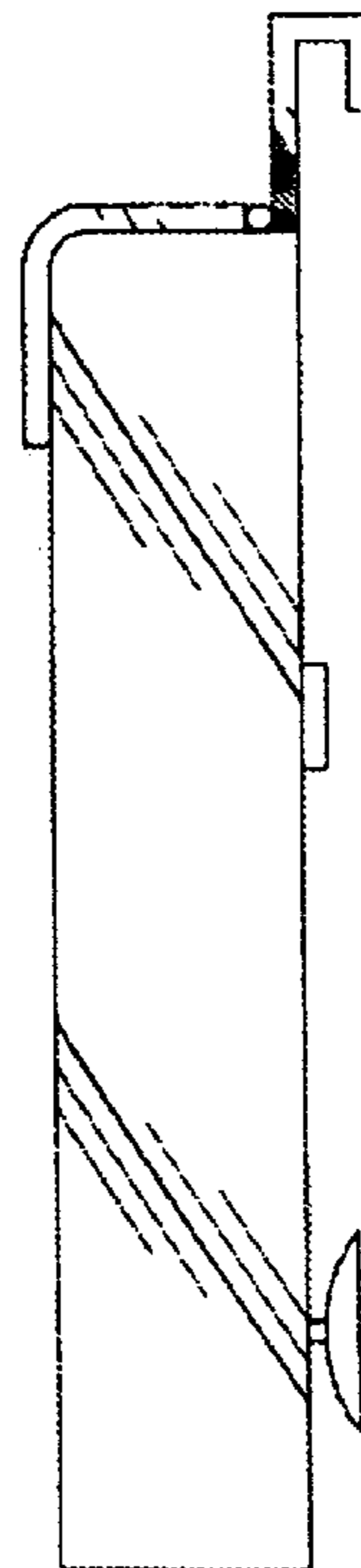


Fig-4

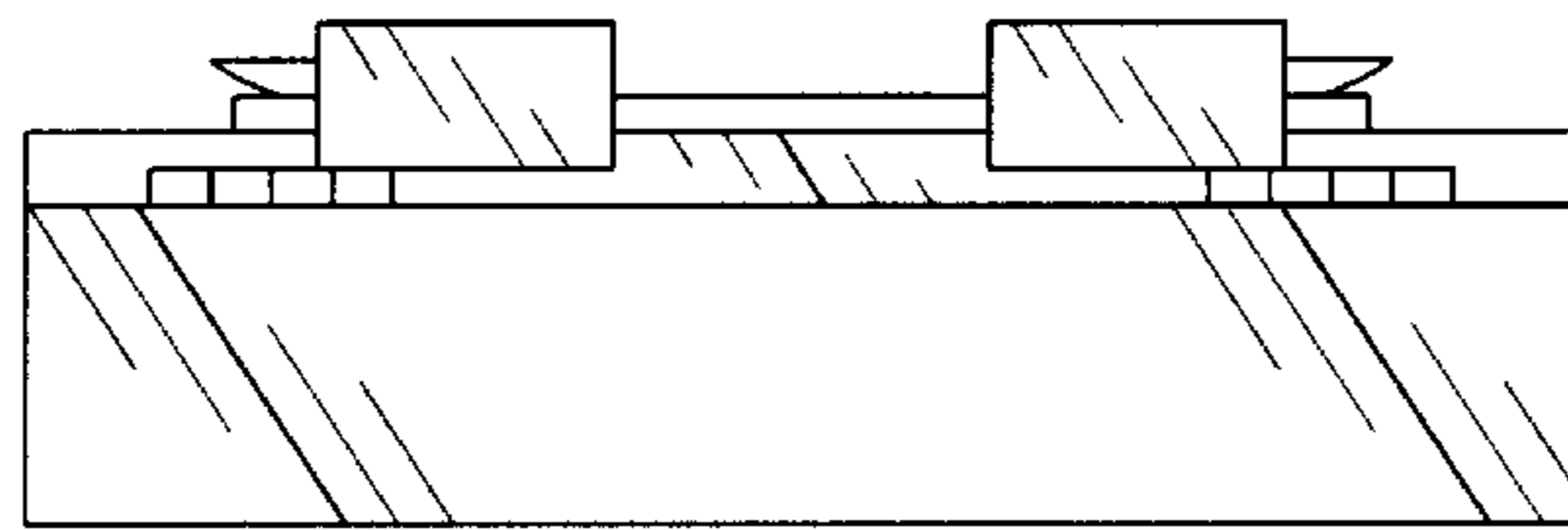


Fig-5

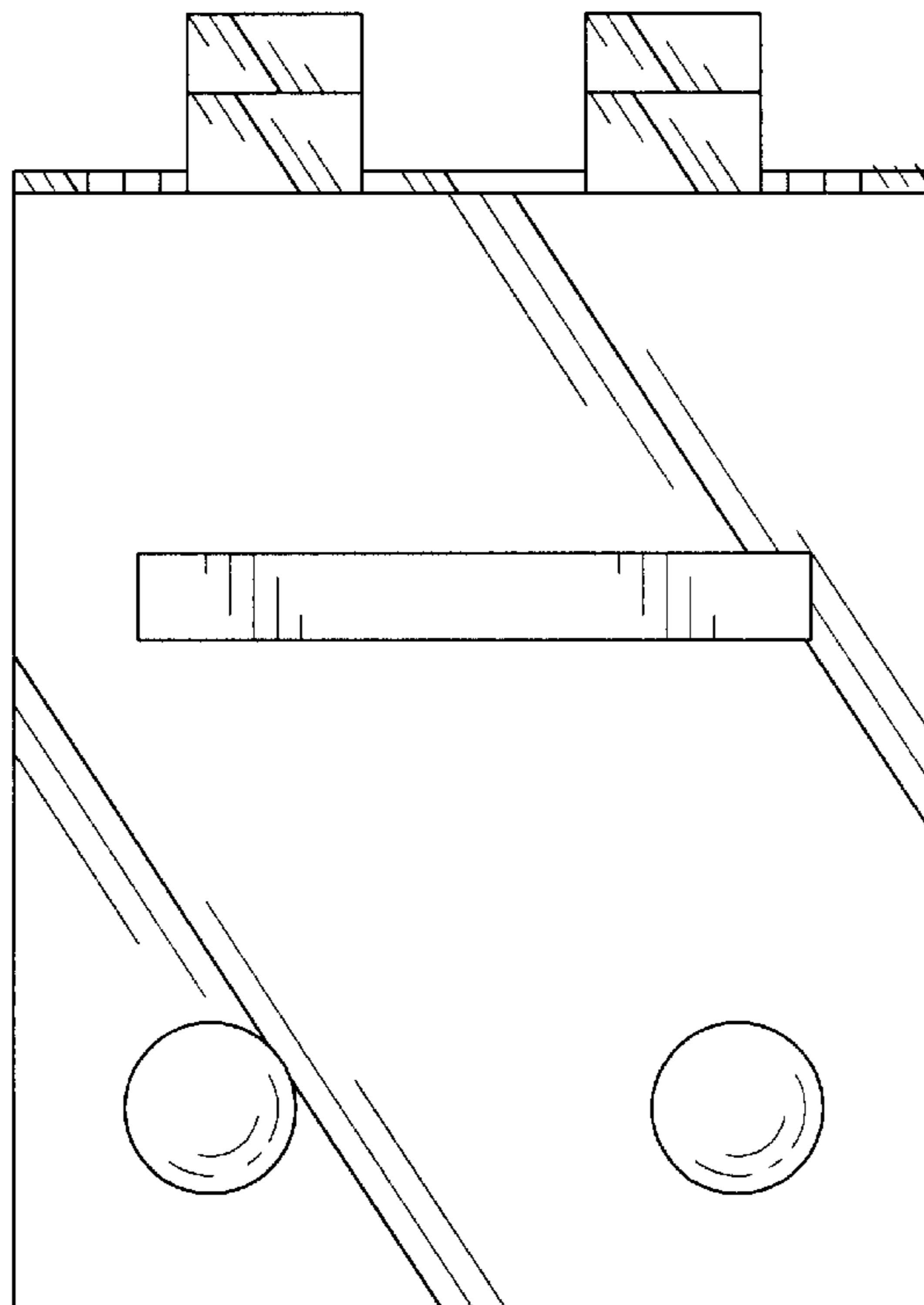


Fig-6

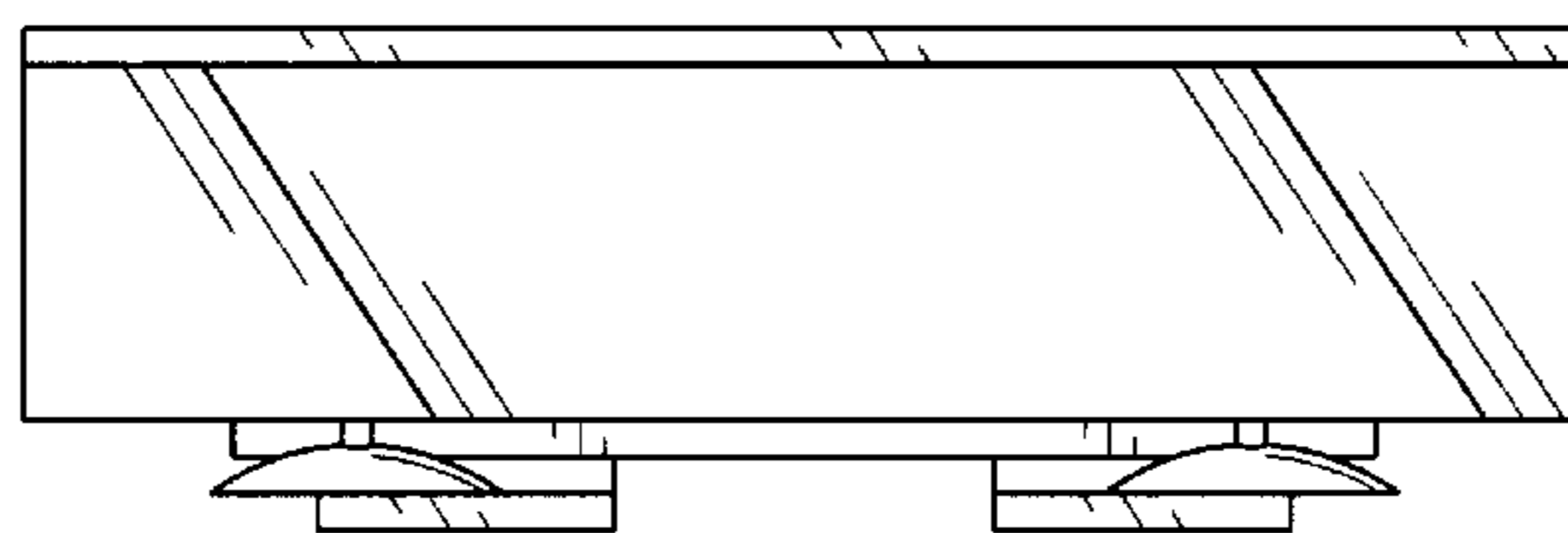


Fig-7

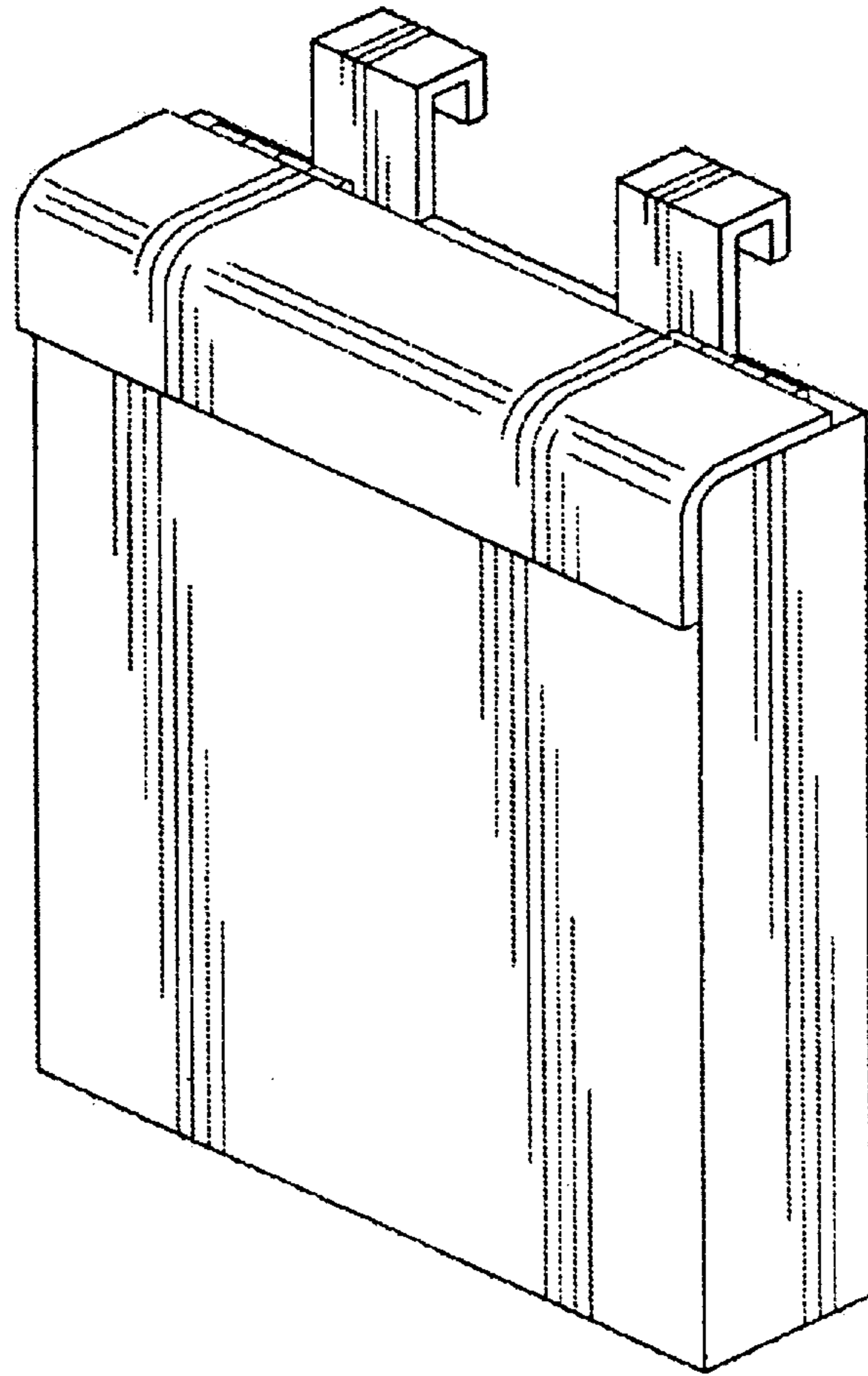


Fig- 8