



US00D543590S

(12) **United States Design Patent** (10) **Patent No.:** **US D543,590 S**
Feibelman et al. (45) **Date of Patent:** **** May 29, 2007**

(54) **ROTATING ANTI-THEFT TAG**
(75) Inventors: **Jeffrey A Feibelman**, Providence, RI (US); **Norman Thibaudeau**, North Providence, RI (US); **William Duarte**, Seekonk, MA (US); **David Miller**, Norton, MA (US)
(73) Assignee: **Display Technologies, Inc.**, Johnston, RI (US)
(**) Term: **14 Years**

6,052,876 A 4/2000 Hogan et al. 24/704.1
6,128,932 A 10/2000 Mainetti et al. 70/57.1
D438,908 S * 3/2001 Najmi D20/28
D438,909 S * 3/2001 Najmi D20/28
6,255,950 B1 7/2001 Nguyen 340/572.8
6,624,753 B2 9/2003 Elston 340/572.8
6,646,553 B1 11/2003 Kolton et al. 340/572.1
6,725,506 B1 4/2004 Anscher 24/3.4
D490,113 S * 5/2004 Nykoluk D20/27
6,755,055 B2 6/2004 Sedon et al. 70/57.1
D493,739 S 8/2004 Copen D10/104
6,933,847 B2 8/2005 Feibelman 340/572.1
2006/0201836 A1 * 9/2006 Pendergraph et al. 206/379

(21) Appl. No.: **29/253,347**
(22) Filed: **Feb. 3, 2006**
(51) **LOC (8) Cl.** **19-08**
(52) **U.S. Cl.** **D20/22**
(58) **Field of Classification Search** D20/10,
D20/11, 12, 17, 22, 27, 39, 40, 42, 43, 99;
40/6, 27, 124.01, 124.05, 300, 302, 310,
40/641, 638, 661.04, 661.06, 661.08, 662,
40/673; 340/568.1, 572.1, 572.6, 572.9, 573,
340/573.3; 283/56, 81; 281/5; 428/80.1; D30/155;
D10/106; 206/379
See application file for complete search history.

OTHER PUBLICATIONS

Mainetti EAS Source Tagging Solution—Watches [retrieved on Sep. 13, 2006]. Retrieved from the Internet <URL: www.bgplastics.com>.

* cited by examiner

Primary Examiner—Robert M. Spear
Assistant Examiner—Mary Ann Calabrese
(74) *Attorney, Agent, or Firm*—BainwoodHuang

(57) **CLAIM**

The ornamental design for a rotating anti-theft tag, as shown and described.

(56) **References Cited**

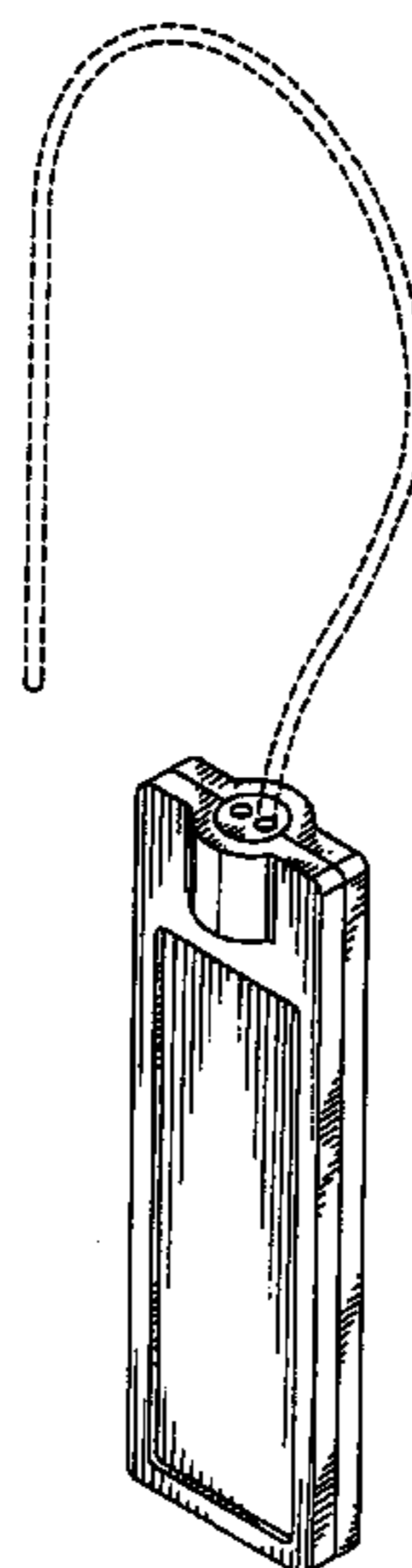
U.S. PATENT DOCUMENTS

1,272,284 A * 7/1918 Magsby 40/641
1,452,250 A * 4/1923 Moore et al. 40/673
5,079,540 A 1/1992 Narlow et al. 340/572
5,120,097 A 6/1992 Fattori et al. 292/318
5,127,137 A 7/1992 Krauss 24/265 R
5,146,657 A 9/1992 Frano 24/265 H
5,421,177 A 6/1995 Sieber et al. 70/57.1
5,502,878 A 4/1996 Anscher 24/265 H
5,566,428 A 10/1996 Takahashi 24/265 H
5,945,909 A * 8/1999 Kolton 340/572.1
5,949,336 A 9/1999 Deschenes et al. 340/572.8
5,952,927 A 9/1999 Eshman et al. 340/573.4
5,969,613 A 10/1999 Yeager et al. 340/572.9

DESCRIPTION

FIG. 1 is a perspective view of a rotating anti-theft tag for an electronic article surveillance device showing our new design;
FIG. 2 is a top plan view thereof;
FIG. 3 is a bottom plan view thereof;
FIG. 4 is a front elevational view thereof;
FIG. 5 is a rear elevational view thereof;
FIG. 6 is a left side elevational view thereof; and,
FIG. 7 is a right side elevational view thereof.
The portions shown in broken lines are included for illustrative purposes only and form no part of the claimed design.

1 Claim, 2 Drawing Sheets



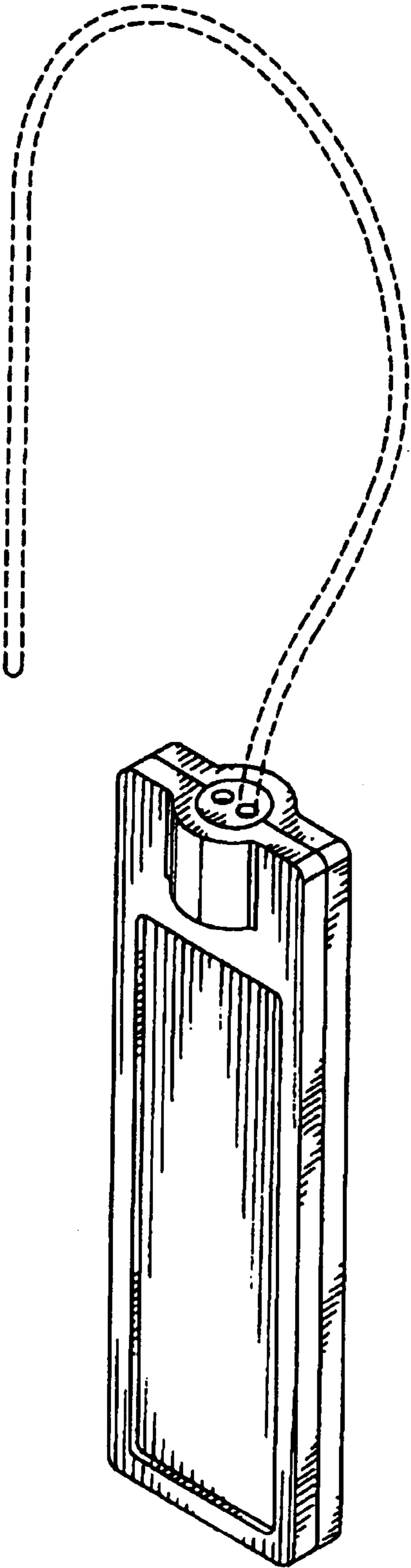


FIG. 1



FIG. 2

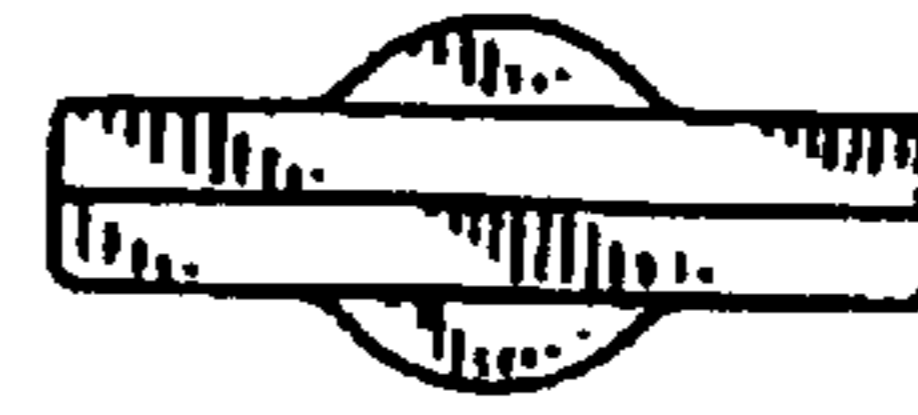


FIG. 3

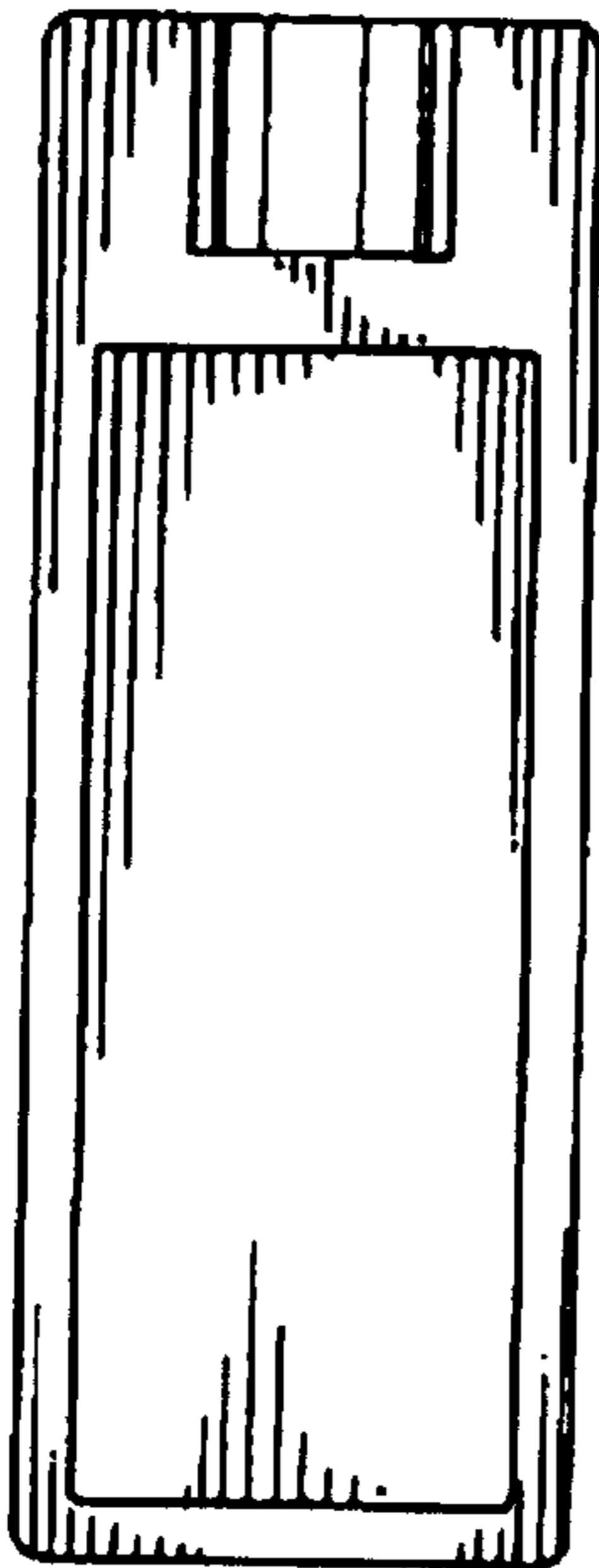


FIG. 4

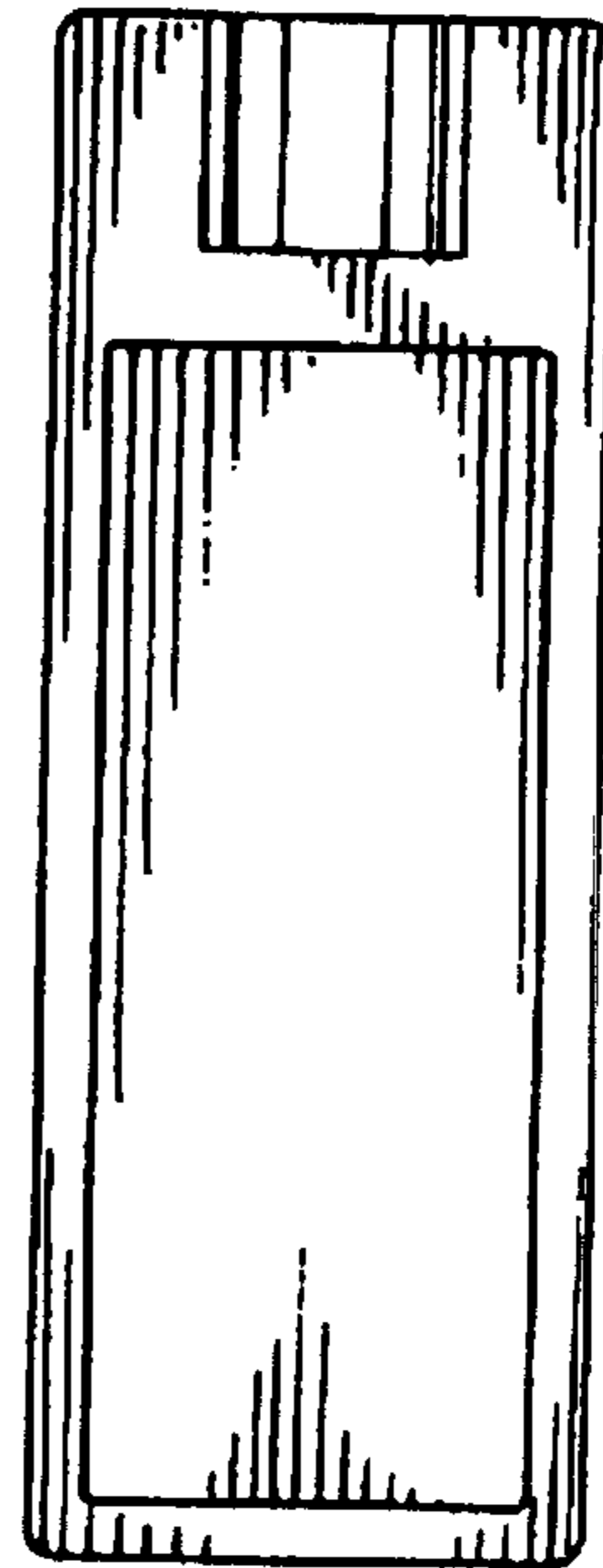


FIG. 5

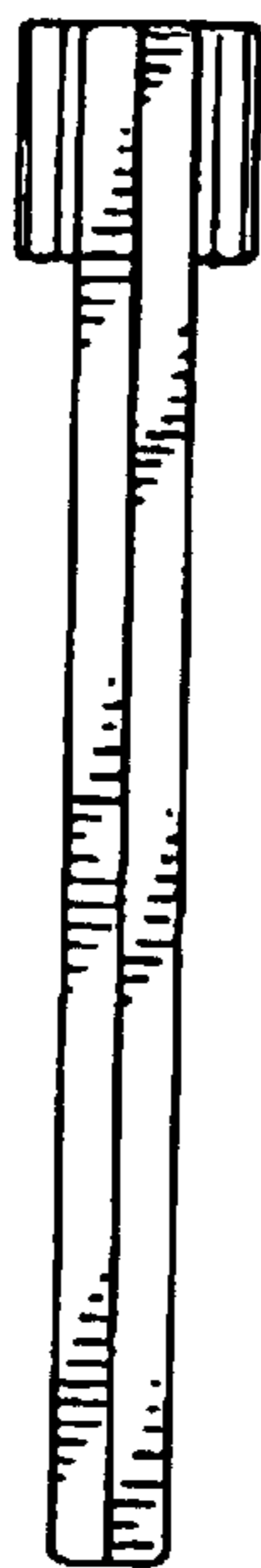


FIG. 6

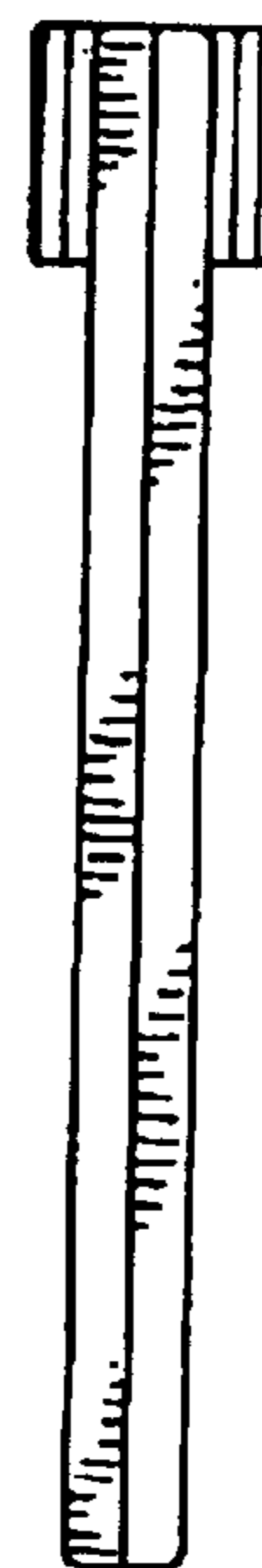


FIG. 7