

US00D543586S

(12) **United States Design Patent**
Cetera

(10) **Patent No.:** **US D543,586 S**

(45) **Date of Patent:** **** May 29, 2007**

(54) **PEN WITH MOVEABLE GRIP**

(75) Inventor: **Carl Cetera**, Tenafly, NJ (US)

(73) Assignee: **Cotapaxi Custom Design and Manufacturing, LLC**, Carlstadt, NJ (US)

(**) Term: **14 Years**

(21) Appl. No.: **29/246,312**

(22) Filed: **Mar. 30, 2006**

(51) **LOC (8) Cl.** **19-06**

(52) **U.S. Cl.** **D19/48**

(58) **Field of Classification Search** D19/35,
D19/36, 41-51, 54-57; 24/11 R, 11 F, 11 P;
401/52, 99, 100, 104, 105, 106, 107, 108,
401/109, 192, 195

See application file for complete search history.

(56) **References Cited**

U.S. PATENT DOCUMENTS

D240,817 S *	8/1976	Funahashi	D19/48
D395,447 S *	6/1998	Izushima	D19/49
D436,624 S *	1/2001	Zier	D19/48
D450,769 S *	11/2001	Nishida	D19/49
D451,547 S *	12/2001	Nishida	D19/48
D451,548 S *	12/2001	Banasik	D19/51
D495,364 S *	8/2004	Cetera	D19/51
D497,387 S *	10/2004	Cetera	D19/36

D502,963 S *	3/2005	Bain et al.	D19/36
D513,766 S	1/2006	Cetera		
D530,746 S *	10/2006	Gerules	D19/45
2005/0047844 A1 *	3/2005	Lammers et al.	401/108
2006/0239761 A1 *	10/2006	Cetera	401/258

OTHER PUBLICATIONS

U.S. Appl. No. 11/558,375, Carl Cetera.

U.S. Appl. No. 29/249,550, Carl Cetera.

* cited by examiner

Primary Examiner—Elizabeth A. Albert

(74) *Attorney, Agent, or Firm*—The Soni Law Firm

(57) **CLAIM**

The ornamental design for a pen with moveable grip, as shown and described.

DESCRIPTION

FIG. 1 is a front side perspective view of the pen with moveable grip showing my new design;

FIG. 2 is a side elevational view thereof;

FIG. 3 is a front elevational view thereof;

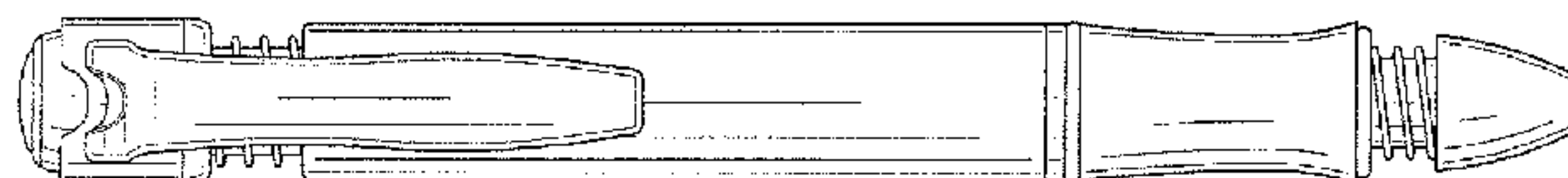
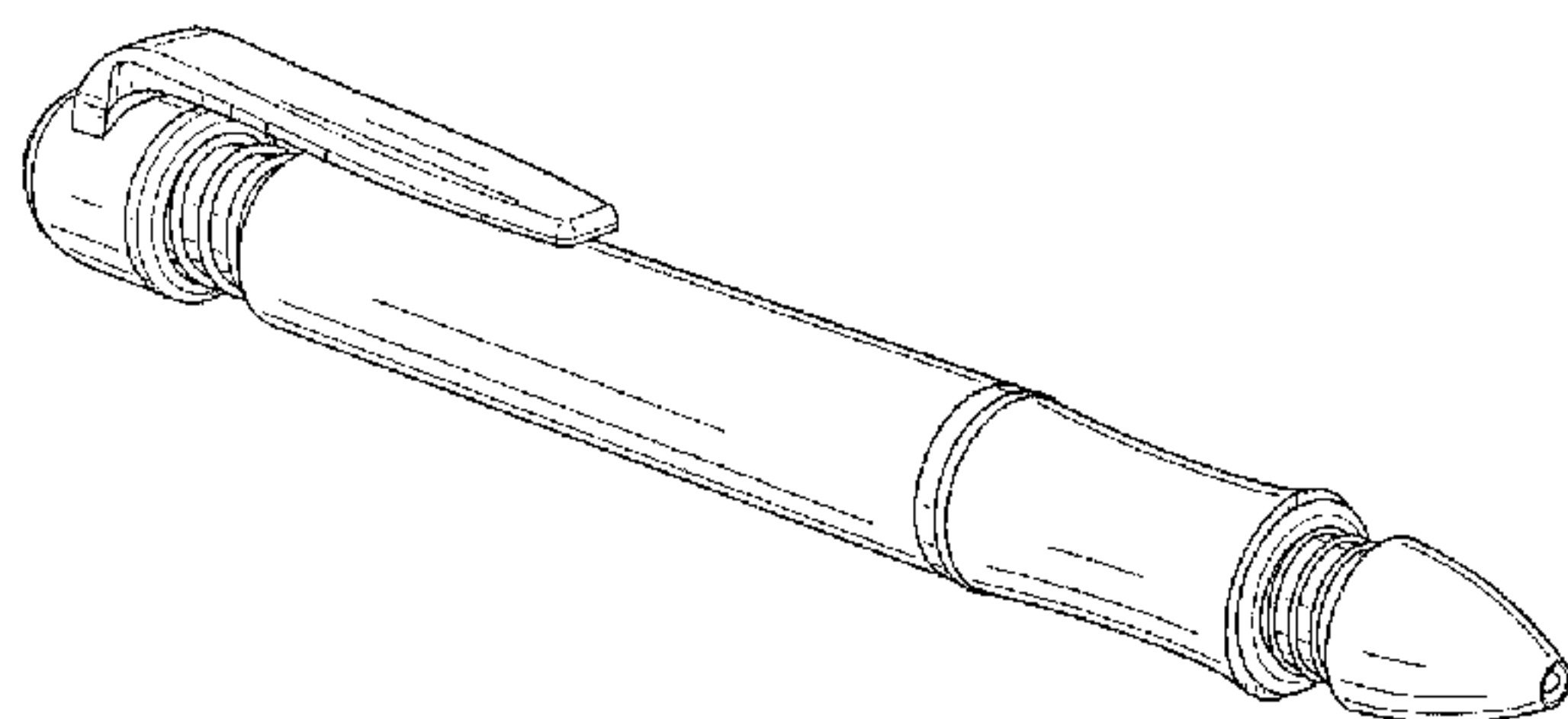
FIG. 4 is a back elevational view thereof;

FIG. 5 is a bottom plan view thereof;

FIG. 6 is a top plan view thereof; and,

FIG. 7 is a front side perspective view thereof.

1 Claim, 3 Drawing Sheets



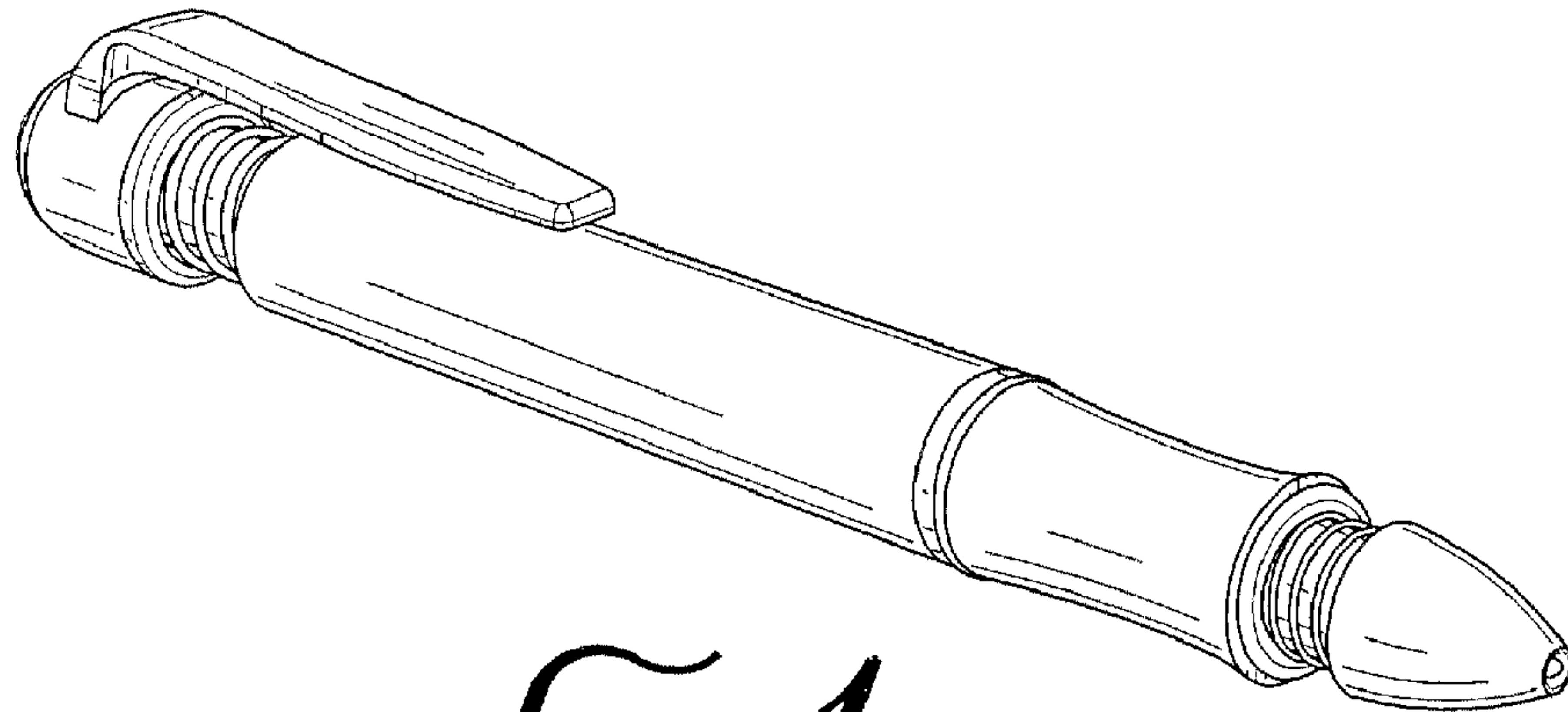


FIG. 1

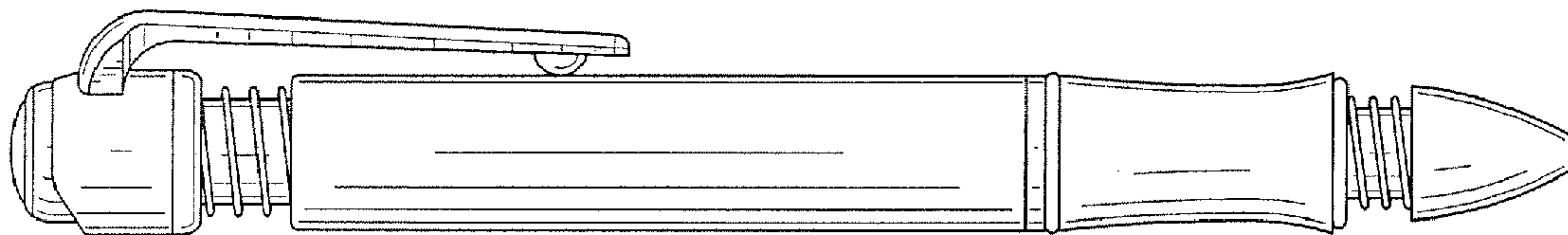


FIG. 2

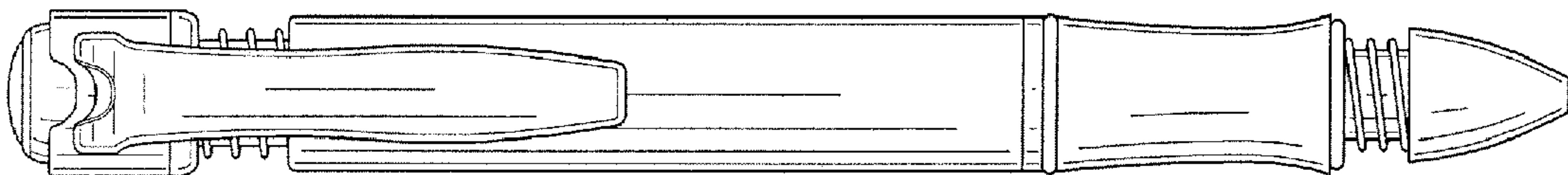


FIG. 3

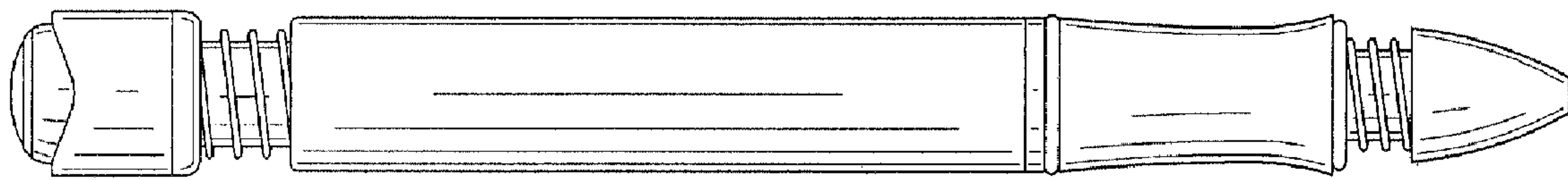


FIG. 4

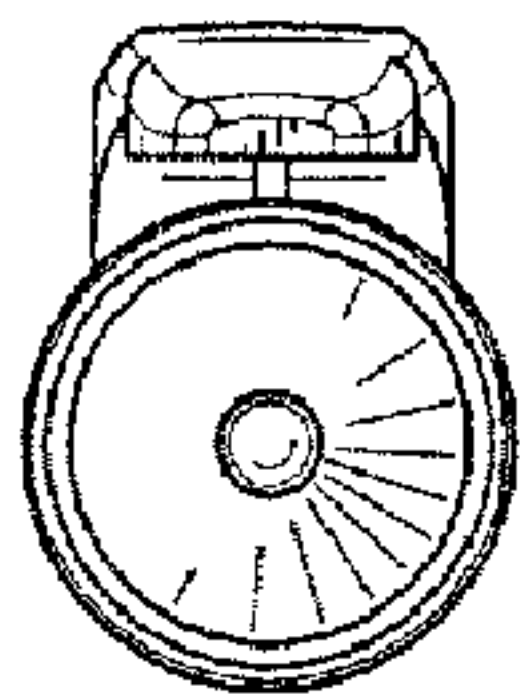


FIG. 5

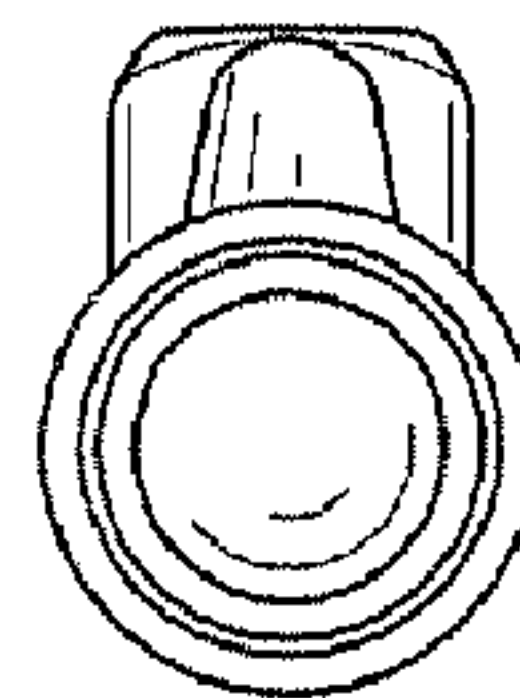


FIG. 6

