

US00D543584S

(12) **United States Design Patent**
Takahashi et al.

(10) **Patent No.:** **US D543,584 S**

(45) **Date of Patent:** **** May 29, 2007**

(54) **OVERHANG PORTION OF A PAPER FEED MACHINE**

(75) Inventors: **Noriaki Takahashi**, Tokyo (JP);
Shigeru Okazaki, Musashimurayama (JP); **Masahiro Kaneko**, Hino (JP)

(73) Assignee: **Konica Minolta Business Technologies, Inc.**, Chiyoda-Ku, Tokyo (JP)

(**) Term: **14 Years**

(21) Appl. No.: **29/224,747**

(22) Filed: **Mar. 8, 2005**

(30) **Foreign Application Priority Data**

Sep. 8, 2004 (JP) 2004/027323

(51) **LOC (8) Cl.** **16-03**

(52) **U.S. Cl.** **D18/40**

(58) **Field of Classification Search** D18/36-49, D18/56; D6/396, 397, 402, 481, 491, 492, D6/509; D7/339, 350.1; D25/119, 136, 164; 222/DIG. 1; 271/3.14, 8.1, 145, 147, 160, 271/165, 228, 278; 353/97, 99, 173; 39/1-7, 39/75, 81, 82, 107, 130, 257, 264, 327, 361, 39/365, 367, 381-383, 388, 393, 405, 411
See application file for complete search history.

(56) **References Cited**

U.S. PATENT DOCUMENTS

D220,142 S * 3/1971 Perl et al. D6/481

D220,143 S * 3/1971 Perl et al. D6/481
D268,345 S * 3/1983 Robertson D18/38
D367,195 S * 2/1996 Whittington D6/509
D372,136 S * 7/1996 Walters et al. D6/397
D423,810 S * 5/2000 Dorst D6/397
D426,260 S * 6/2000 Kabumoto et al. D18/49
6,449,459 B2 * 9/2002 Tamehira et al. 399/405
D498,370 S * 11/2004 Paus D6/491
D511,185 S * 11/2005 Rieck D18/39

* cited by examiner

Primary Examiner—Robert M. Spear

Assistant Examiner—Garth Rademaker

(74) *Attorney, Agent, or Firm*—Buchanan Ingersoll & Rooney PC

(57) **CLAIM**

The ornamental design for an overhang portion of a paper feed machine, as shown and described.

DESCRIPTION

FIG. 1 is a perspective view of an overhang portion of a paper feed machine showing our new design; FIG. 2 is a front elevational view thereof; FIG. 3 is a top plan view thereof; FIG. 4 is a bottom plan view thereof; and, FIG. 5 is a right side elevational view thereof, the left side elevational view being a mirror image thereof. The broken line showing of portions of the paper feed cassette tray and the copy machine is for illustrative purposes only and forms no part of the claimed design.

1 Claim, 5 Drawing Sheets

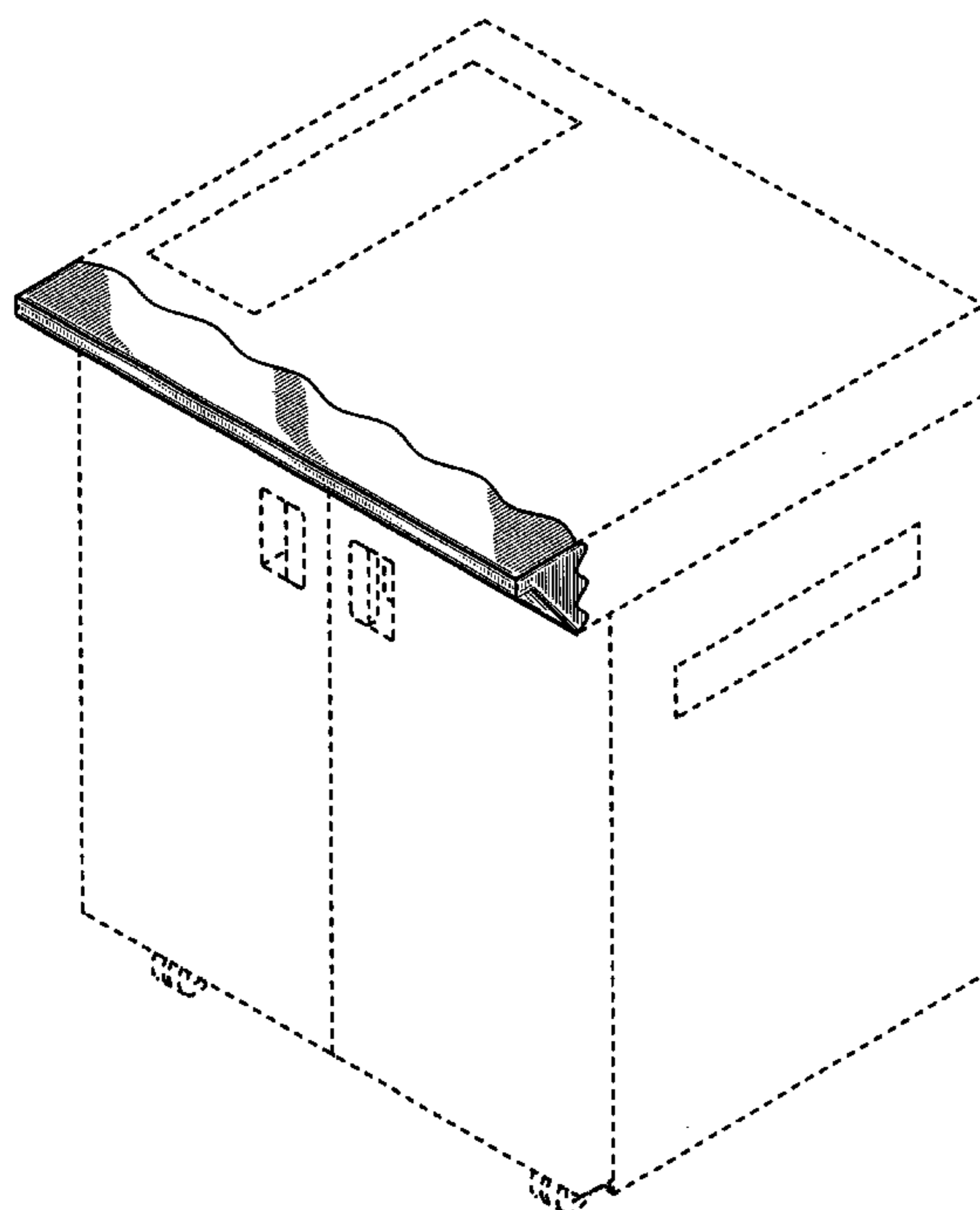


Fig. 1

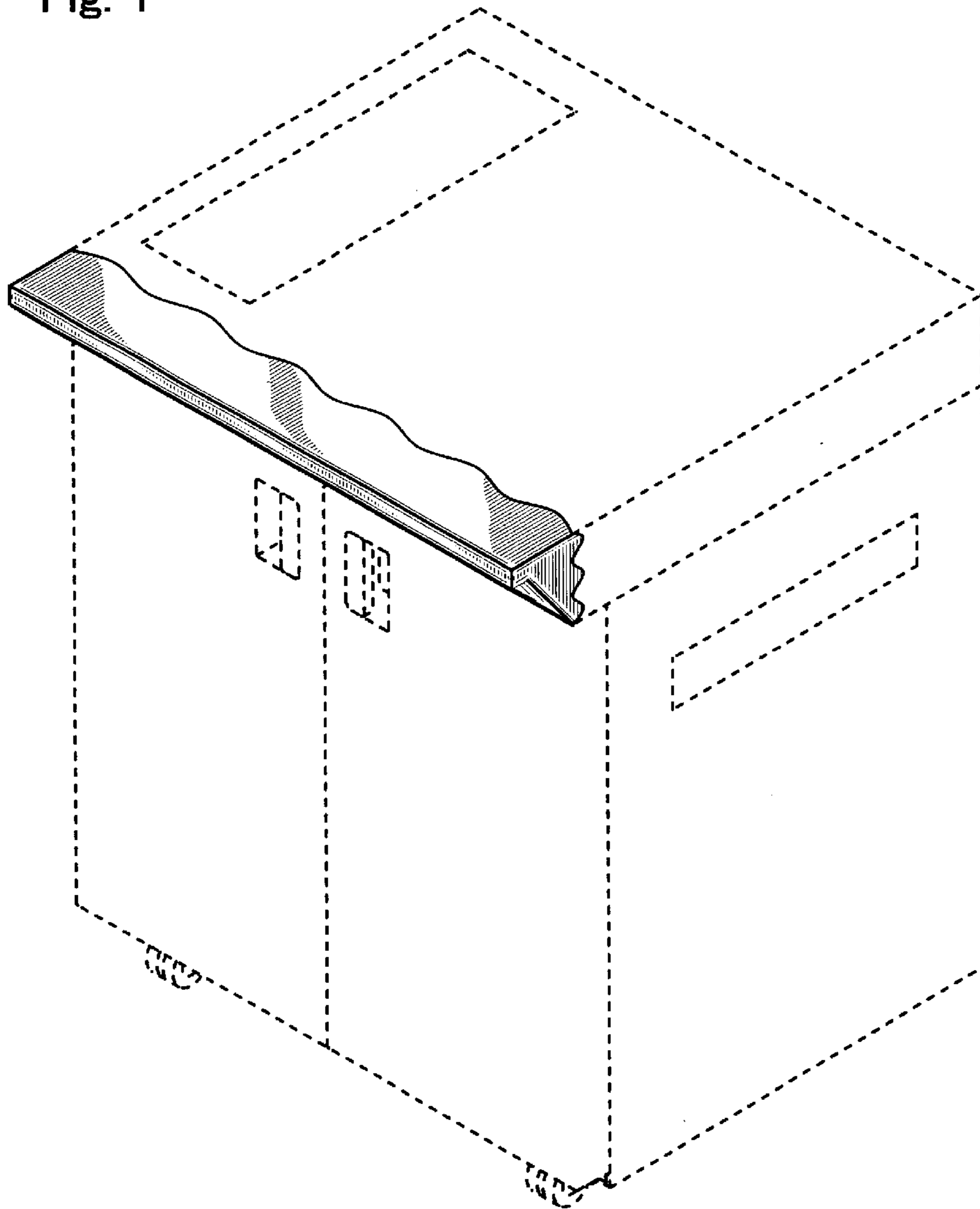


Fig. 2

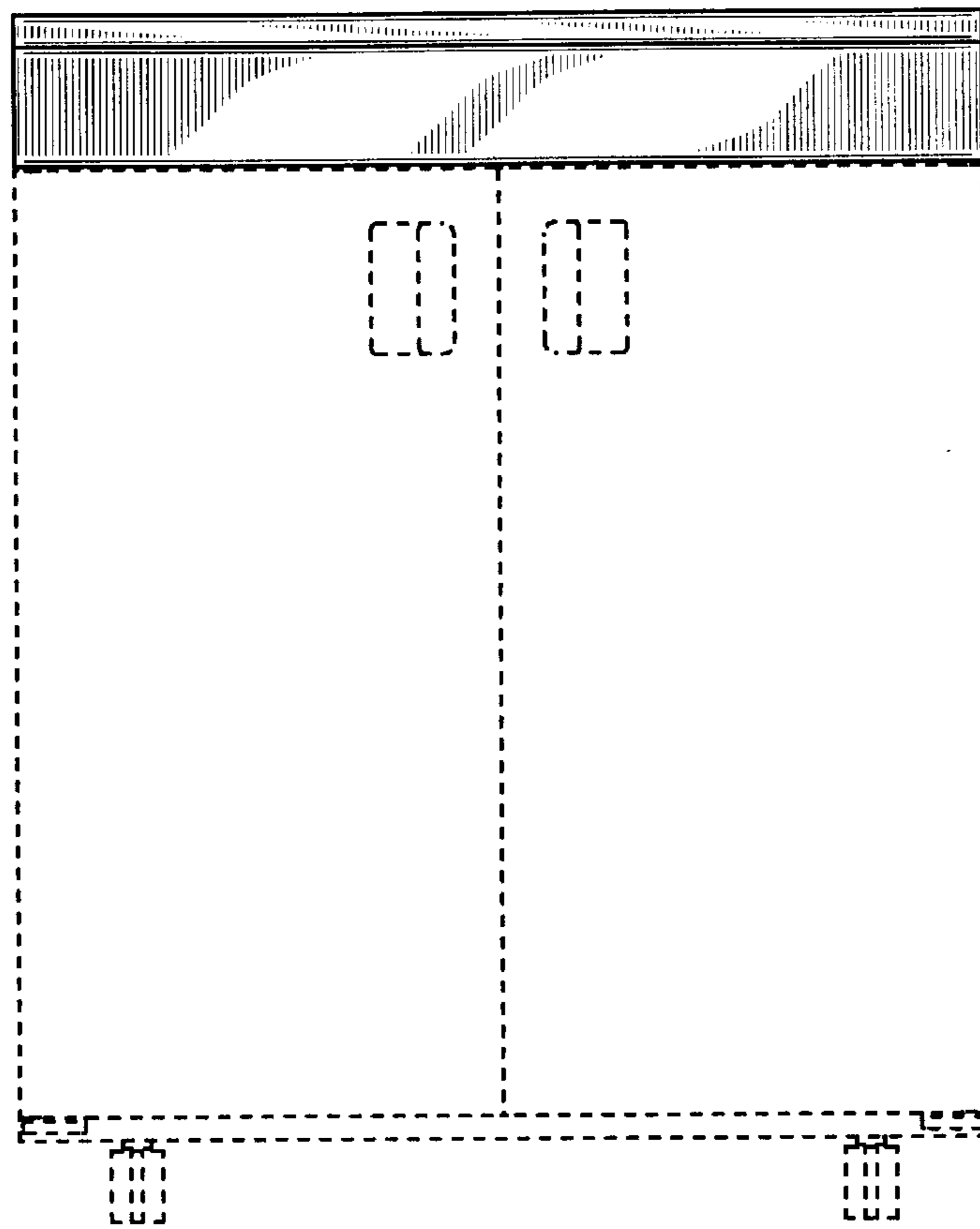


Fig. 3

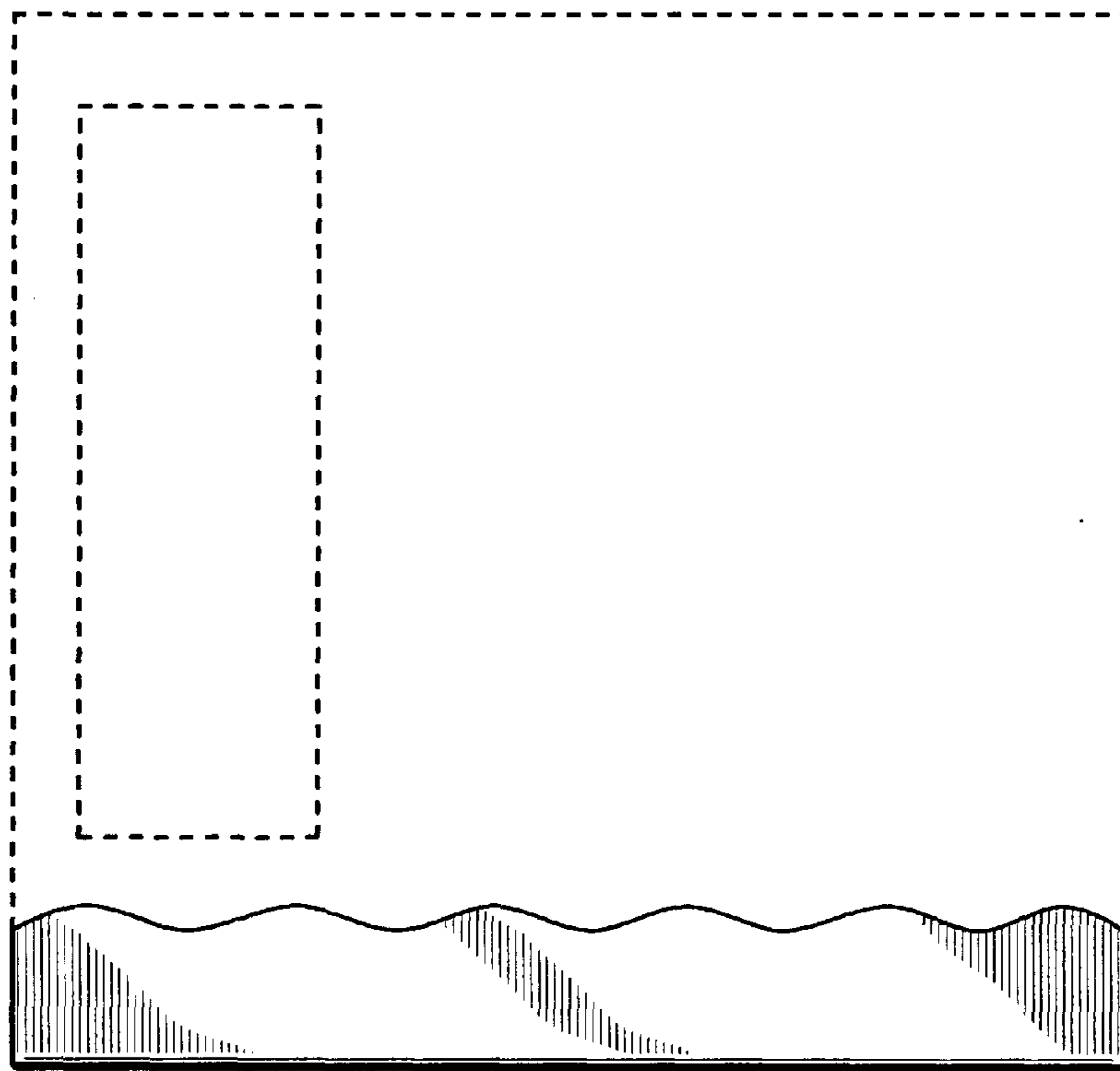


Fig. 4

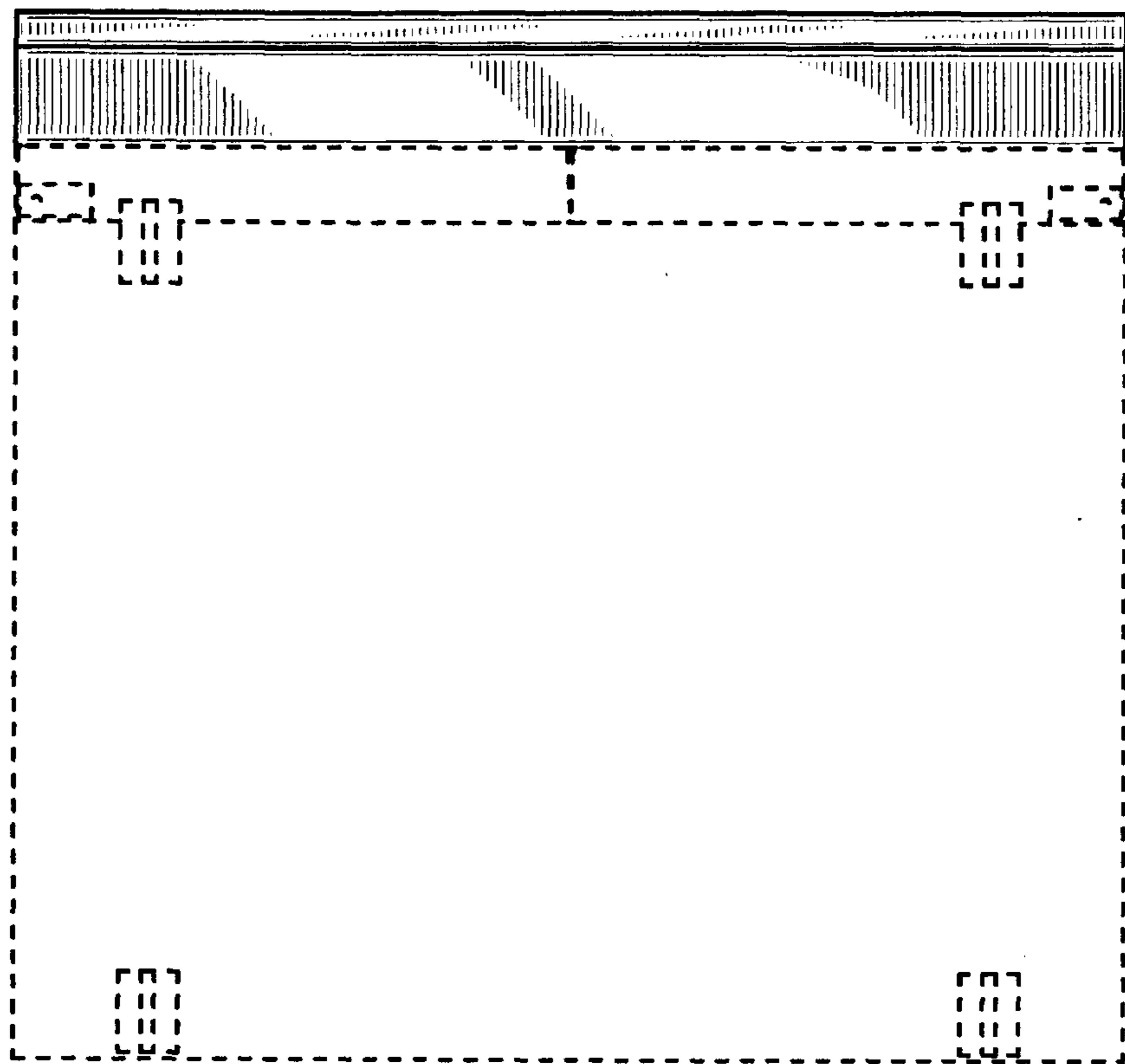


Fig. 5

