



US00D543582S

(12) **United States Design Patent**
Colburn et al.

(10) **Patent No.:** **US D543,582 S**

(45) **Date of Patent:** **** May 29, 2007**

(54) **POINT-OF-SALE MOUNT FOR A RADIO
FREQUENCY IDENTIFICATION (RFID) TAG
READER**

(75) Inventors: **Theodore Joseph Colburn**, Los Gatos,
CA (US); **Stanley Abille Mercado**,
Santa Clara, CA (US); **Mohammad A.
Khan**, San Jose, CA (US)

(73) Assignee: **VIVOfotech, Inc.**, Santa Clara, CA (US)

(**) Term: **14 Years**

(21) Appl. No.: **29/230,003**

(22) Filed: **May 12, 2005**

(51) **LOC (8) Cl.** **18-01**

(52) **U.S. Cl.** **D18/12**

(58) **Field of Classification Search** D13/108,
D13/184; D14/336, 371–376, 385–387; D18/3.1–3.3,
D18/4.1–4.6, 6–8, 11, 12, 12.1–12.3; D21/324,
D21/329, 332, 333; D99/28, 34–36, 43; 235/1 E,
235/2, 7 R, 12, 22, 33, 51, 52; 705/12, 15–18,
705/21, 43

See application file for complete search history.

(56) **References Cited**

U.S. PATENT DOCUMENTS

D239,207 S	*	3/1976	Curley	D18/12
D323,085 S	*	1/1992	Konkel	D18/12
D449,304 S	*	10/2001	Herath	D14/433
D460,761 S	*	7/2002	Croley	D14/434
D469,438 S	*	1/2003	Corrales	D14/432

D476,359 S	*	6/2003	Mittler	D18/12
D489,325 S	*	5/2004	Nakamura	D13/110
D514,152 S	*	1/2006	Lee	D18/6
D524,729 S	*	7/2006	Hussaini et al.	D13/108
D525,935 S	*	8/2006	Hussaini et al.	D13/108
D527,039 S	*	8/2006	Colburn et al.	D18/12

* cited by examiner

Primary Examiner—Caron D. Veynar

Assistant Examiner—Garth Rademaker

(74) *Attorney, Agent, or Firm*—Townsend and Townsend
and Crew LLP

(57) **CLAIM**

The ornamental design for a point-of-sale mount for a radio
frequency identification (RFID) tag reader, as shown.

DESCRIPTION

FIG. 1 is a rear perspective view of a point-of-sale mount for
a radio frequency identification (RFID) tag reader showing
our new design;

FIG. 2 is a front perspective view thereof;

FIG. 3 is a top plan view thereof;

FIG. 4 is a bottom plan view thereof;

FIG. 5 is a front elevational view thereof;

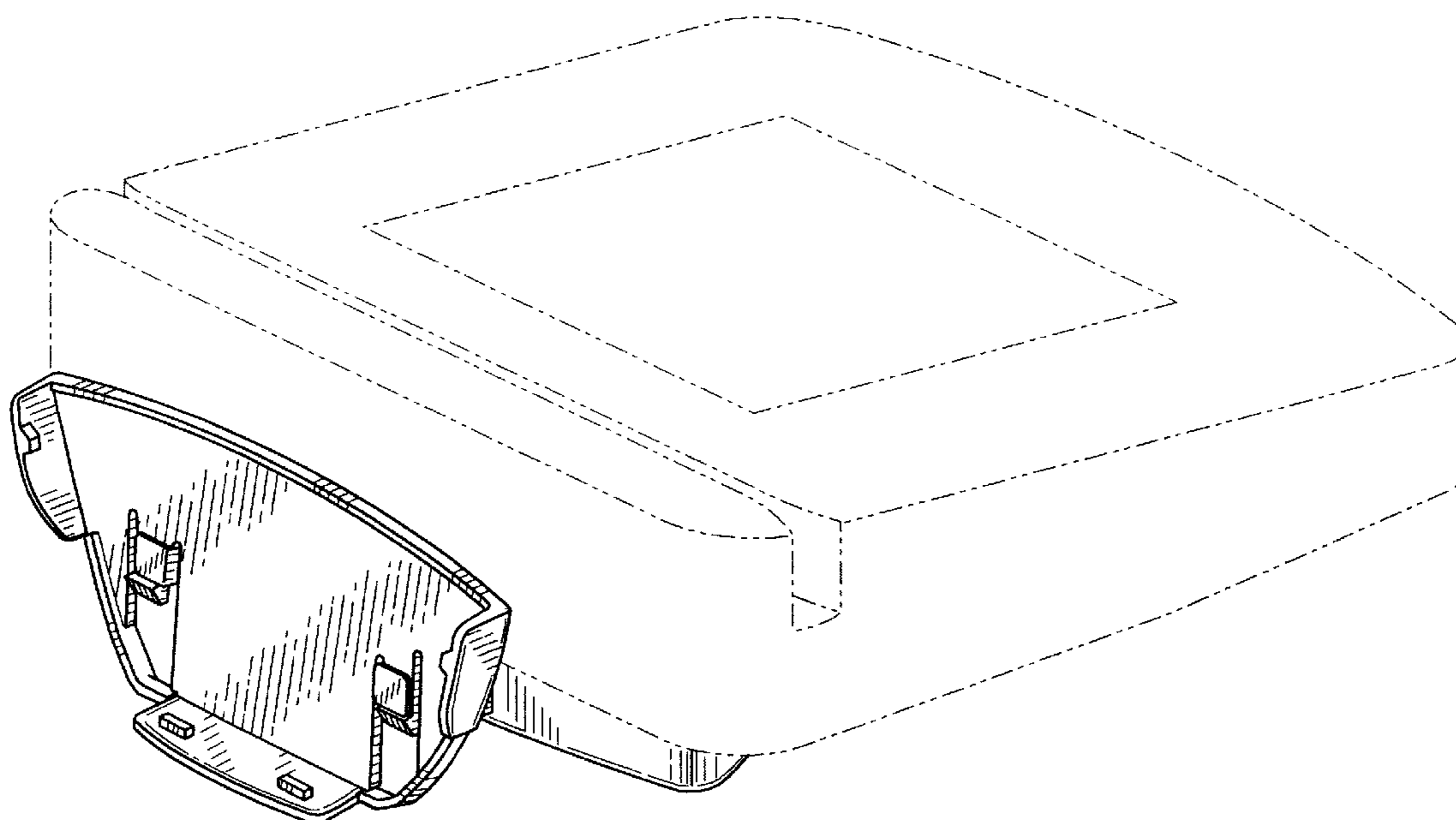
FIG. 6 is a rear elevational view thereof;

FIG. 7 is a left side elevation view thereof; and,

FIG. 8 is a right side elevational view thereof.

The broken line environment in FIGS. 1 and 2 is for
illustrative purposes only and forms no part of the claimed
design.

1 Claim, 5 Drawing Sheets



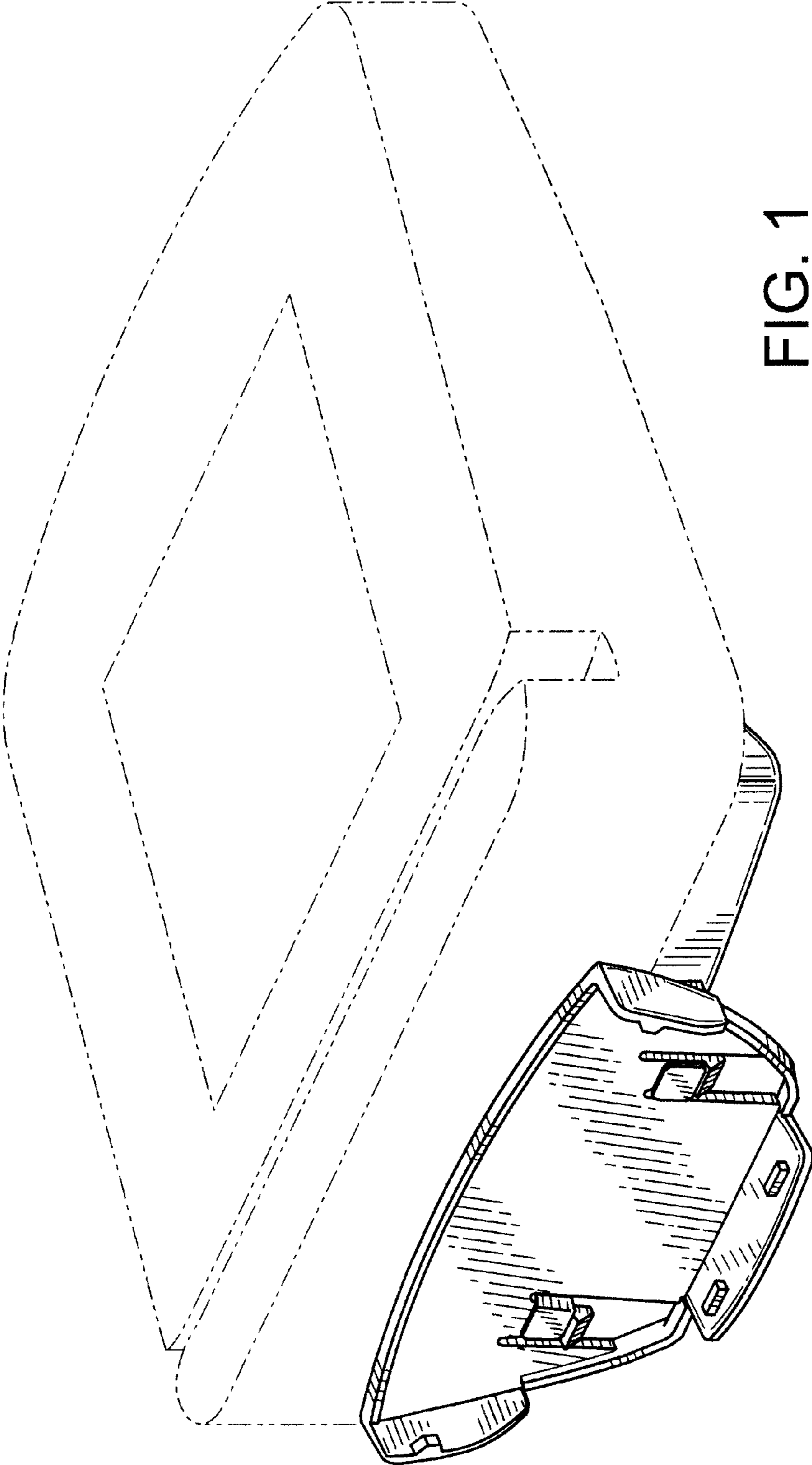


FIG. 1

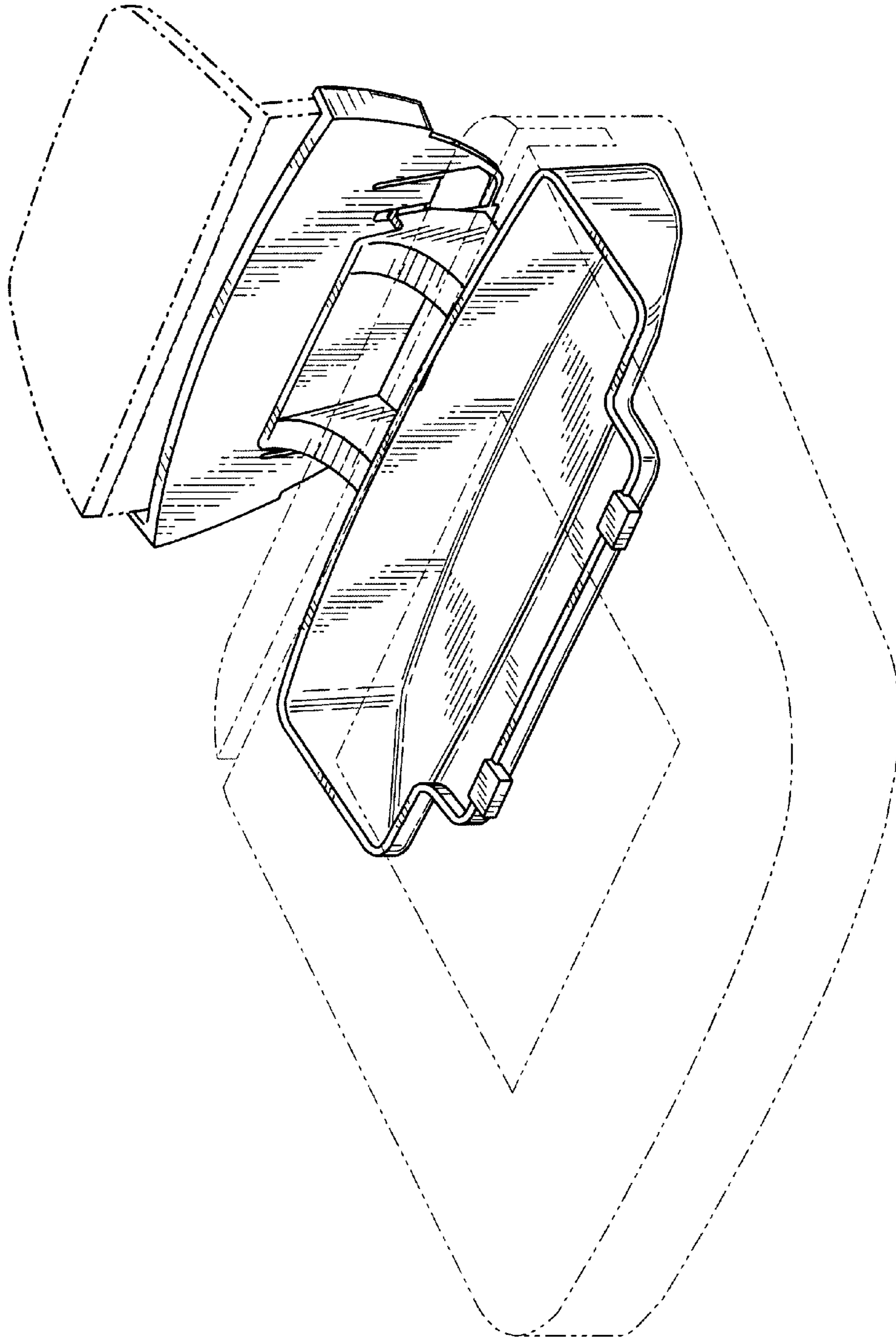


FIG 2

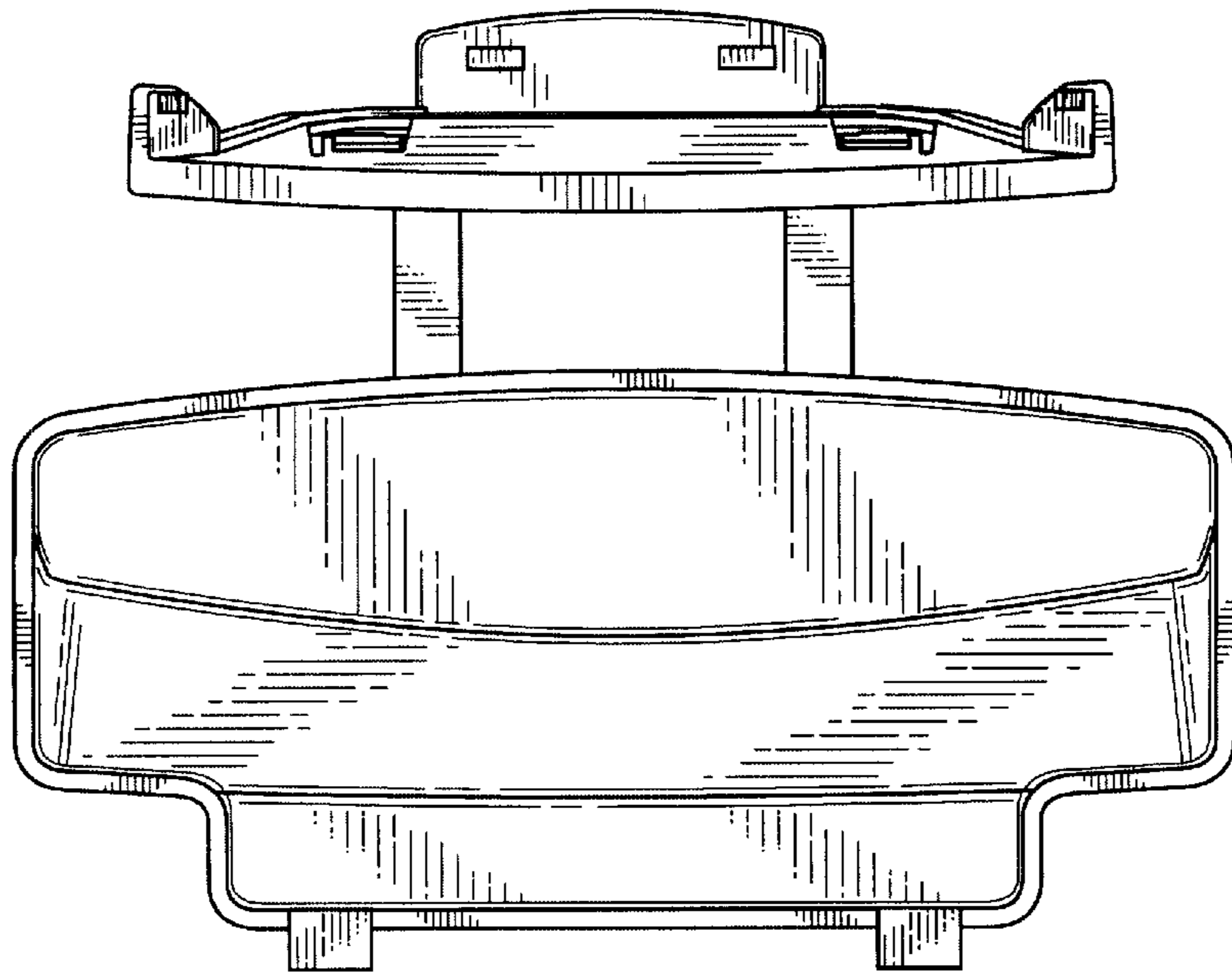


FIG. 3

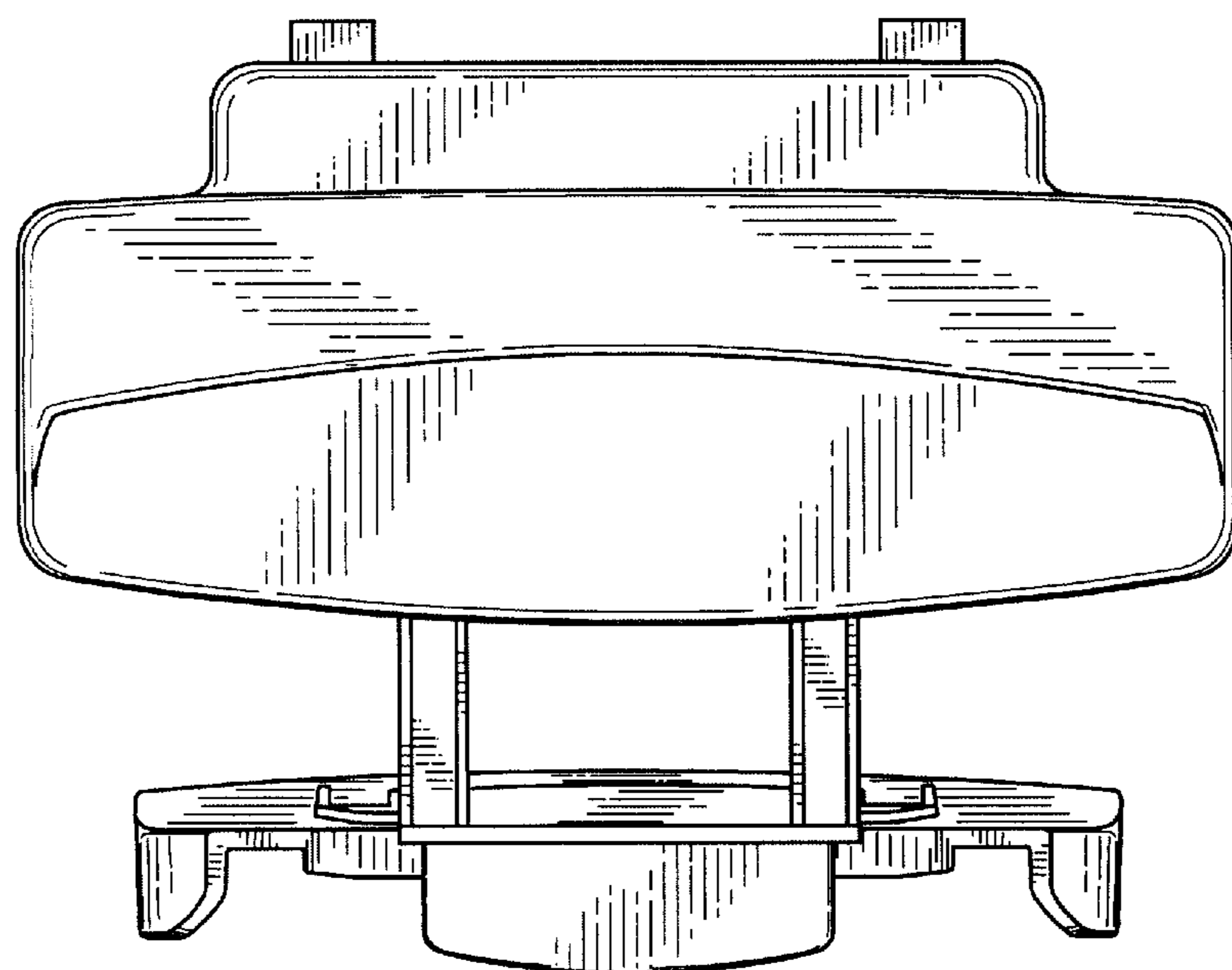


FIG. 4

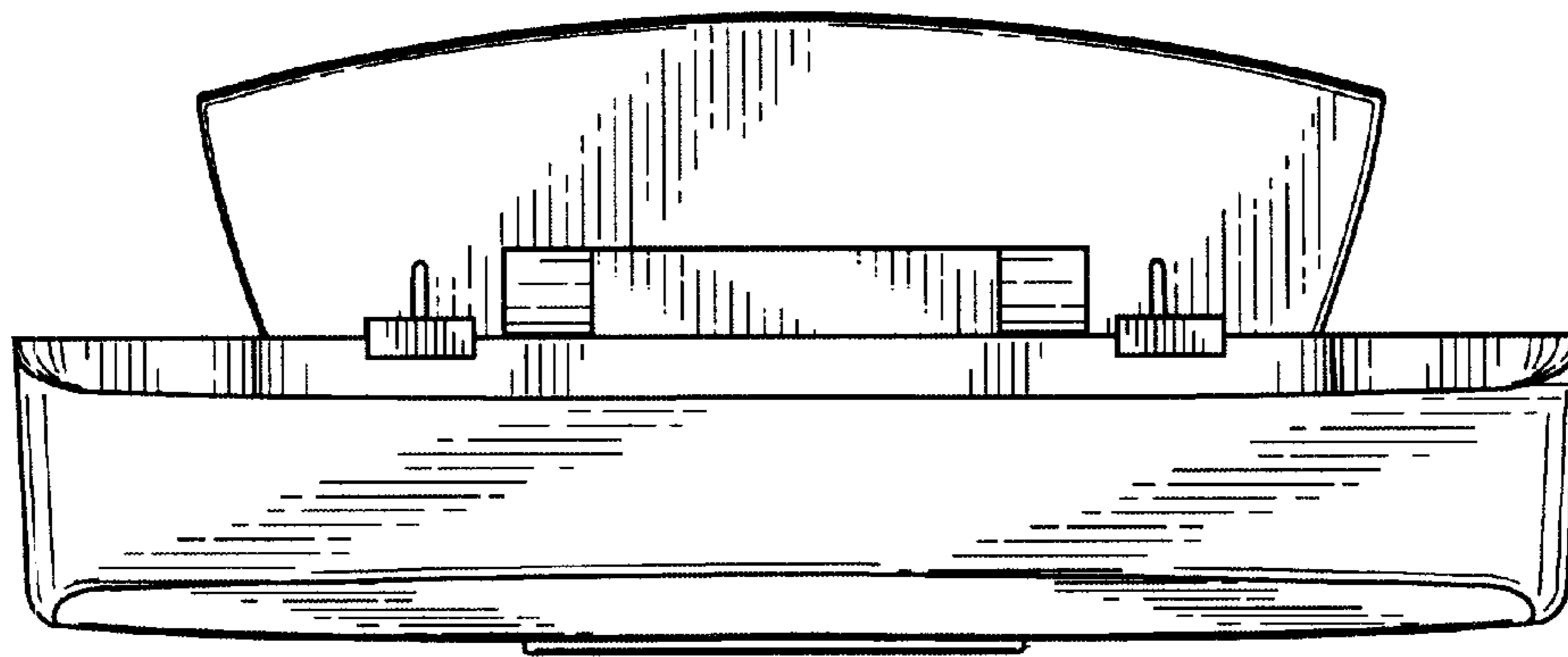


FIG. 5

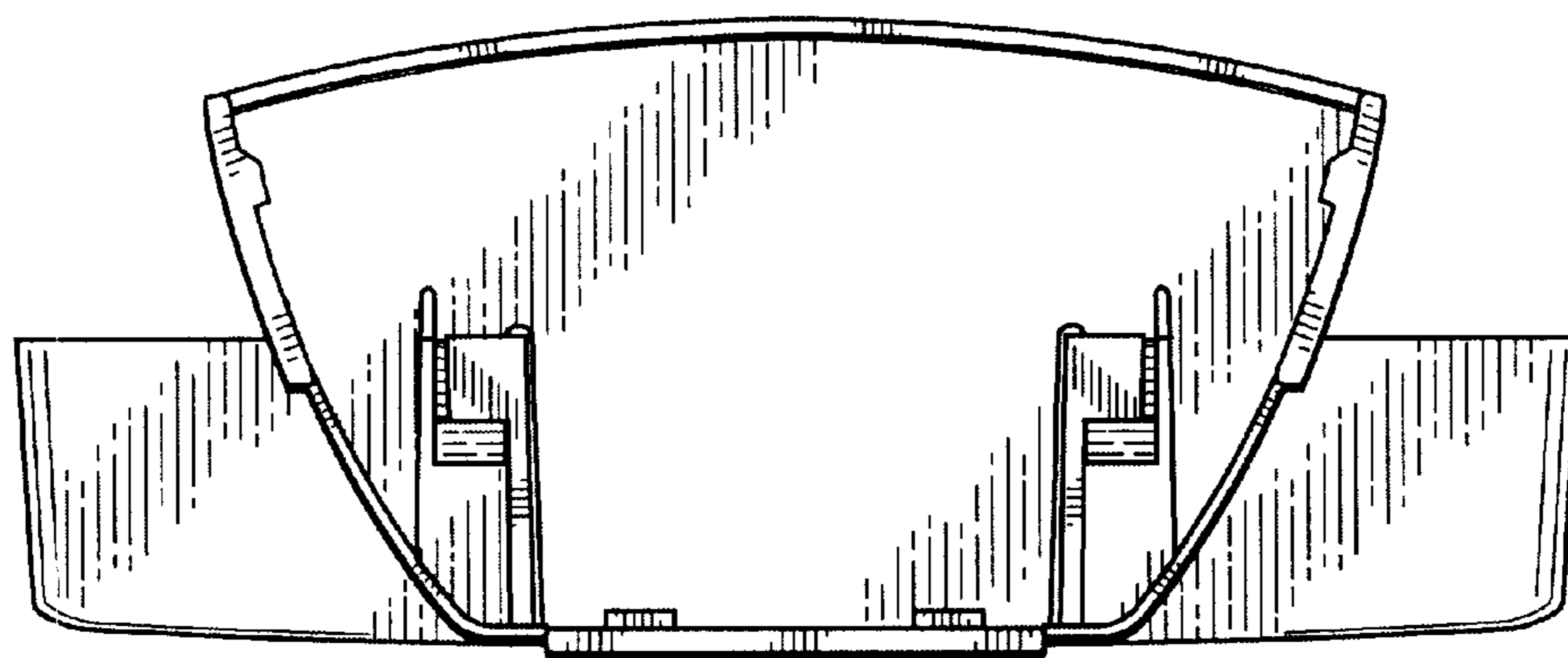


FIG. 6

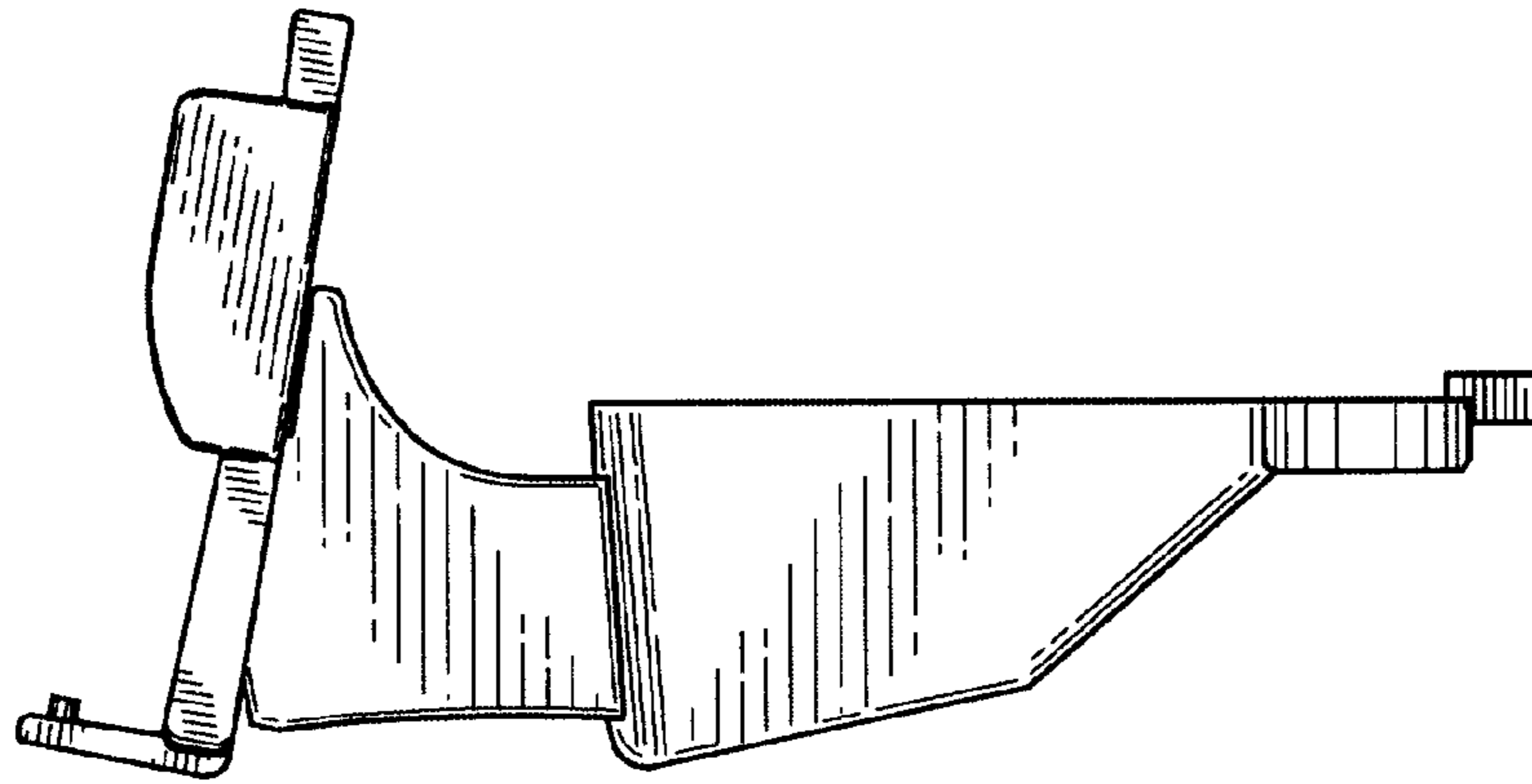


FIG. 7

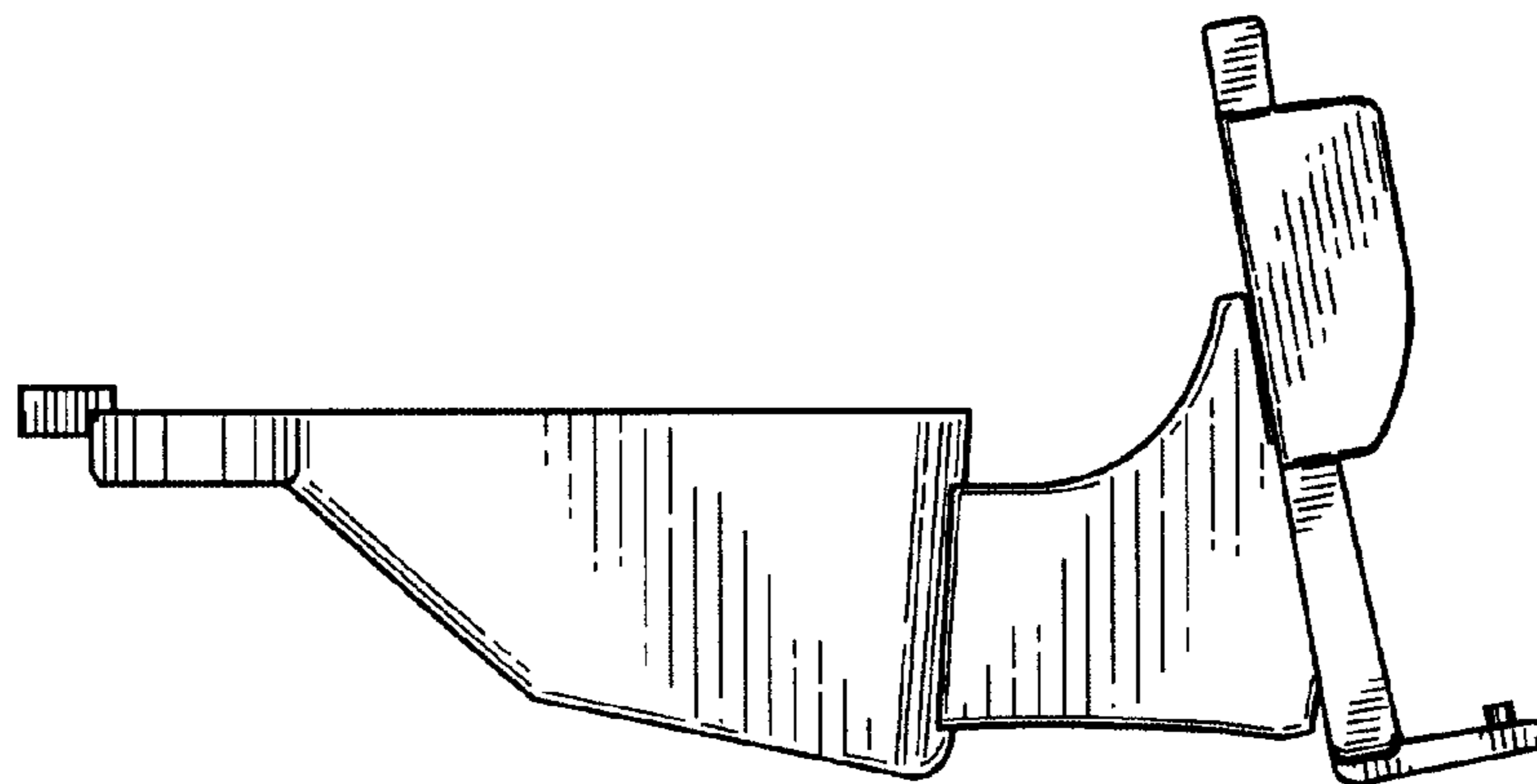


FIG. 8