

US00D543570S

(12) **United States Design Patent** (10) **Patent No.:** **US D543,570 S**
Ogino et al. (45) **Date of Patent:** **** May 29, 2007**

(54) **DIGITAL CAMERA**

(75) Inventors: **Masaki Ogino**, Tokyo (JP); **Akihiro Miyahara**, Kunitachi (JP); **Kazuhito Sakagichi**, Sagamihara (JP)

(73) Assignee: **Casio Keisanki Kabushiki Kaisha**, Tokyo (JP)

(**) Term: **14 Years**

(21) Appl. No.: **29/226,951**

(22) Filed: **Apr. 5, 2005**

(51) **LOC (8) Cl.** **16-05**

(52) **U.S. Cl.** **D16/219**

(58) **Field of Classification Search** D16/200–204,
D16/208, 209, 218–219; D8/300, 370, 310,
D8/311, 312, 313; 396/535–541; 348/373–376;
358/906, 909.1

See application file for complete search history.

(56) **References Cited**

U.S. PATENT DOCUMENTS

D450,073 S	*	11/2001	Sumita	D16/202
D457,903 S	*	5/2002	Nasu	D16/202
D477,832 S	*	7/2003	Suzuki	D16/218
D478,607 S	*	8/2003	Nakaigawa et al.	D16/219
D485,150 S	*	1/2004	Loparo	D8/312
D494,990 S	*	8/2004	Su et al.	D16/202
D500,333 S	*	12/2004	Hong et al.	D16/218
D501,496 S	*	2/2005	Sadatsuki	D16/218
D503,417 S	*	3/2005	Kawase	D16/202

OTHER PUBLICATIONS

Related U.S. Appl. No. 29/226,953, filed Apr. 5, 2005; Inventor: M. Ogino et al.

Related U.S. Appl. No. 29/226,949, filed Apr. 5, 2005; Inventor: M. Ogino et al.

Related U.S. Appl. No. 29/226,950, filed Apr. 5, 2005; Inventor: M. Ogino et al.

Related U.S. Appl. No. 29/226,952, filed Apr. 5, 2005; Inventor: M. Ogino et al.

* cited by examiner

Primary Examiner—Ian Simmons

Assistant Examiner—W. Laymon

(74) *Attorney, Agent, or Firm*—Frishauf, Holtz, Goodman & Chick, P.C.

(57) **CLAIM**

The ornamental design for a digital camera, as shown and described.

DESCRIPTION

FIG. 1 is a front, right side, top perspective view of a digital camera, showing our new design;

FIG. 2 is a front elevational view thereof;

FIG. 3 is a rear elevational view thereof;

FIG. 4 is a left side view thereof;

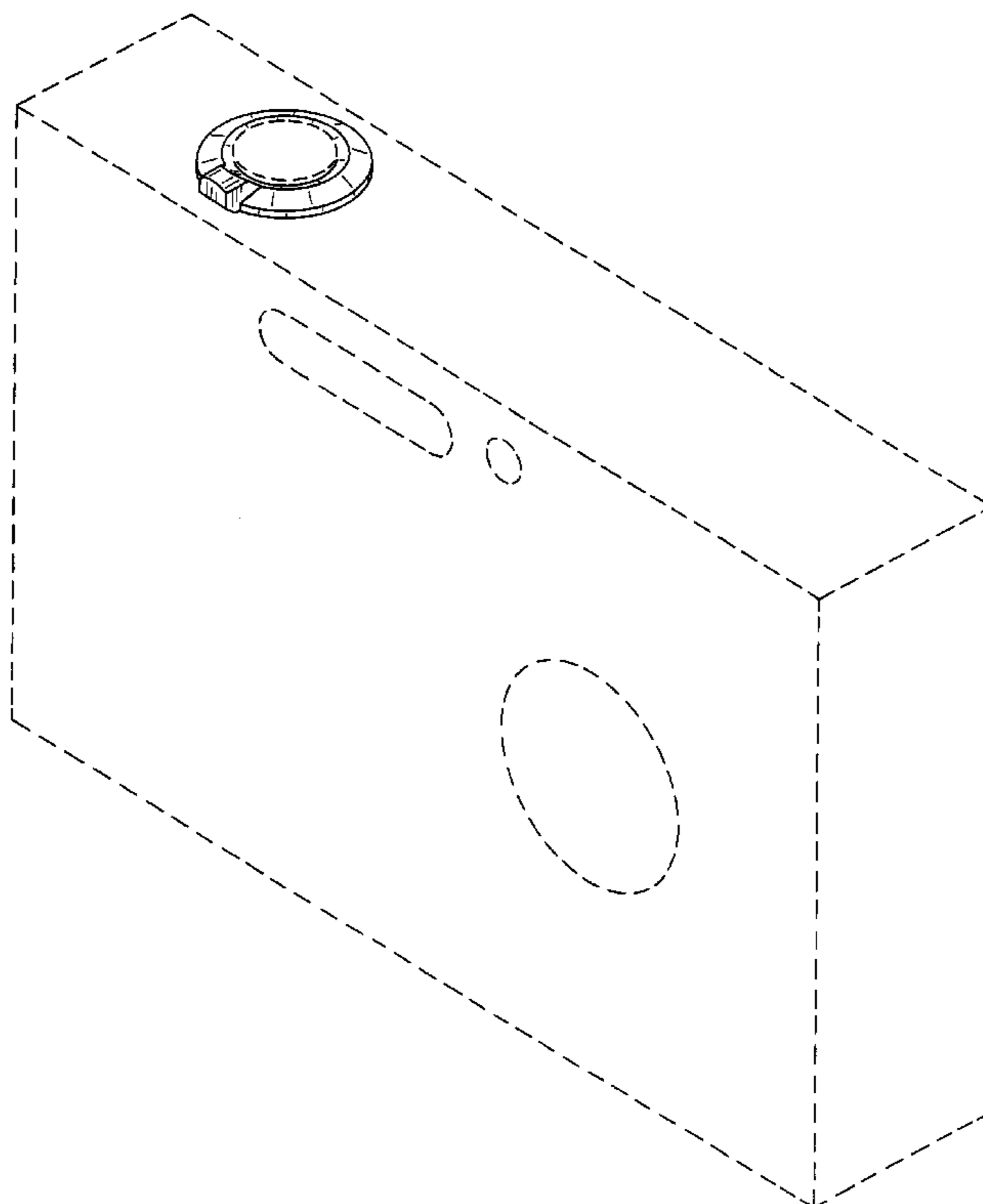
FIG. 5 is a right side view thereof;

FIG. 6 is a top plan view thereof; and,

FIG. 7 is a bottom plan view thereof.

The portions of the digital camera in broken lines are shown for illustrative purposes only and form no part of the claimed design.

1 Claim, 6 Drawing Sheets



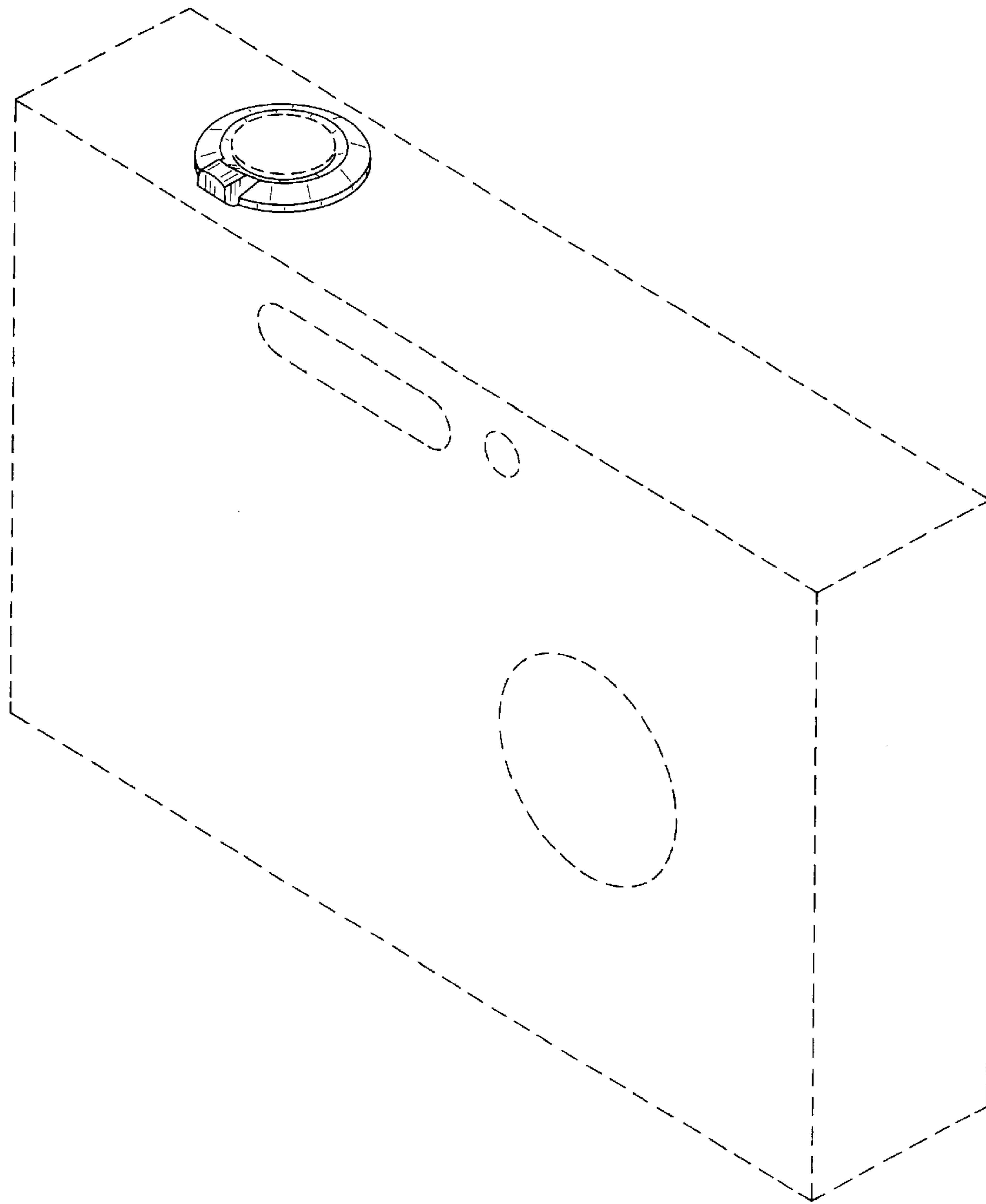


FIG. 1

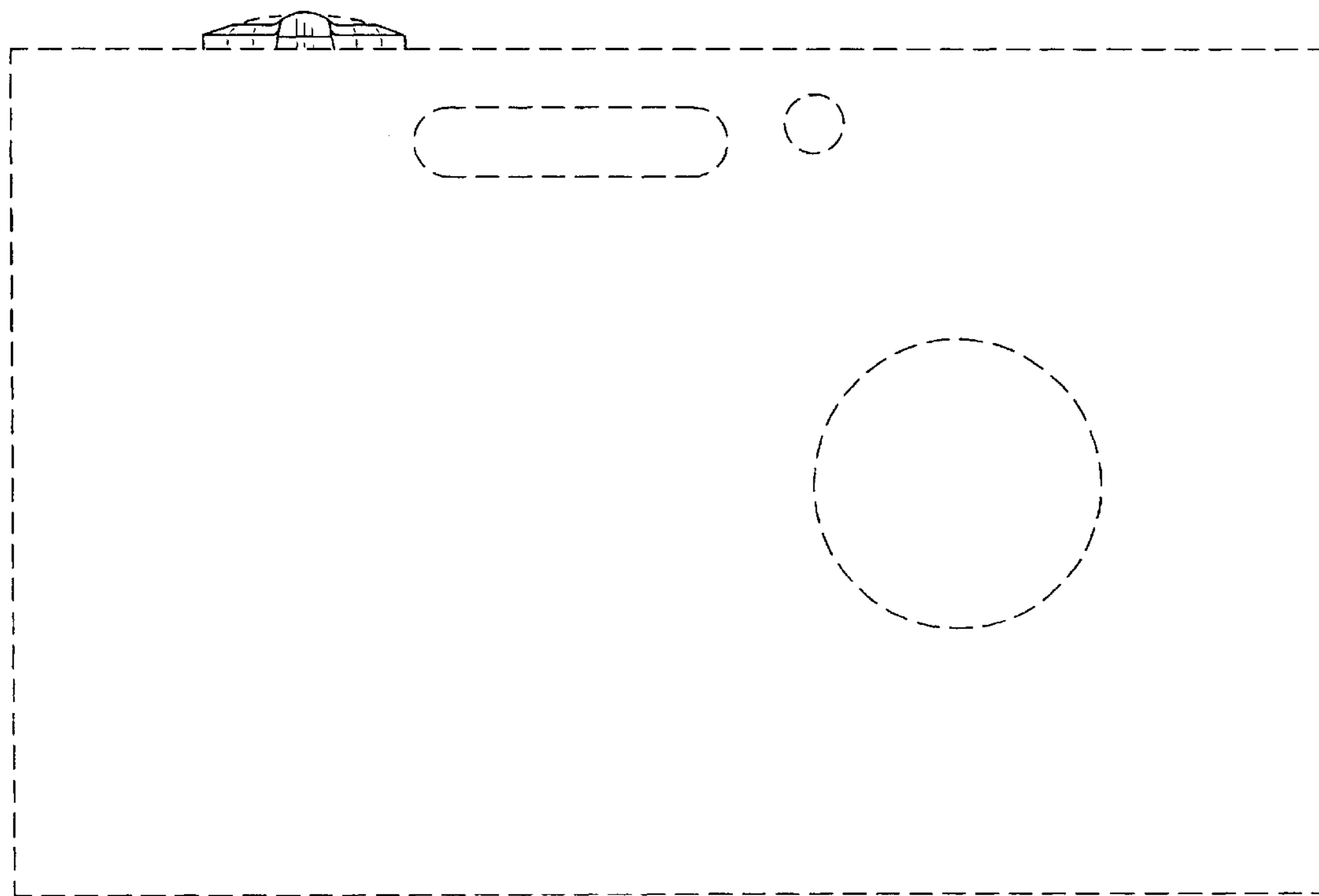


FIG. 2

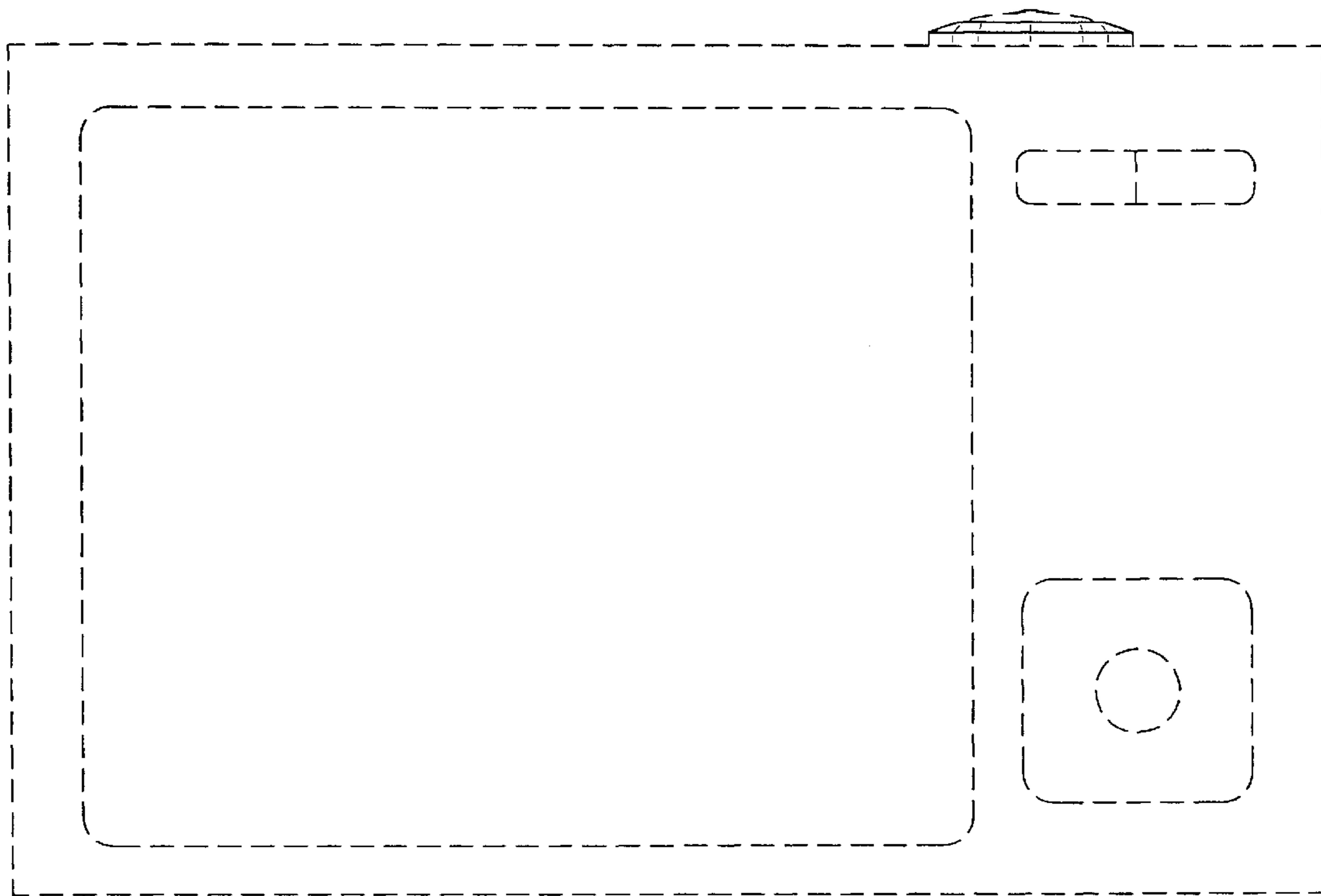


FIG. 3

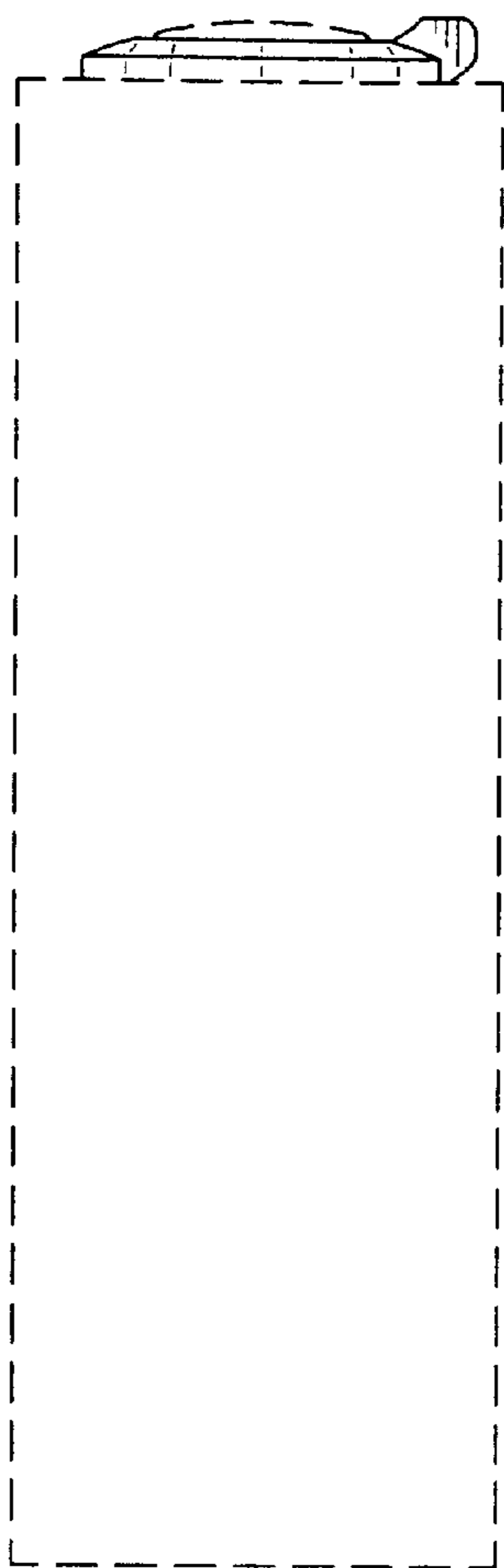


FIG. 4

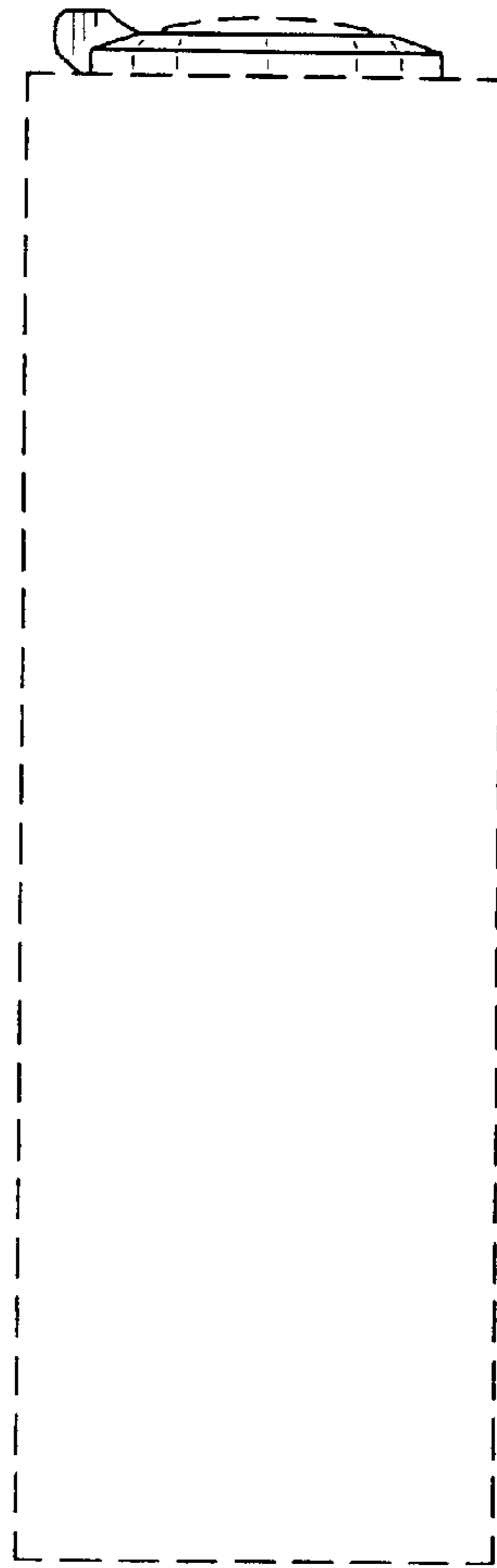


FIG. 5



FIG. 6

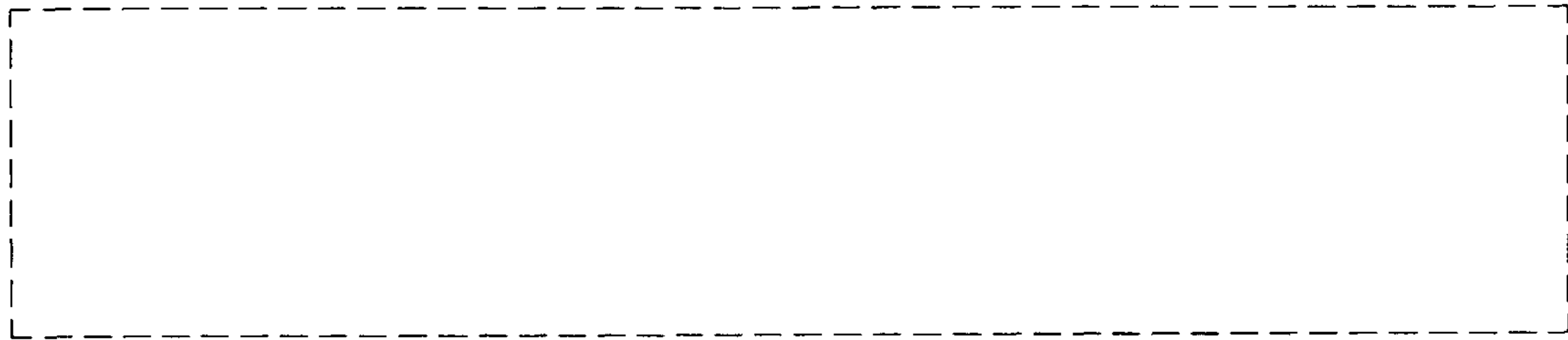


FIG. 7

UNITED STATES PATENT AND TRADEMARK OFFICE
CERTIFICATE OF CORRECTION

PATENT NO. : Des. 543,570 S
APPLICATION NO. : 29/226951
DATED : May 29, 2007
INVENTOR(S) : Masaki Ogino et al.

Page 1 of 1

It is certified that error appears in the above-identified patent and that said Letters Patent is hereby corrected as shown below:

On the title page:

Item (75) Inventors;

change "Kazuhito Sakagichi" to --Kazuhito Sakaguchi--.

Signed and Sealed this

Sixteenth Day of October, 2007

A handwritten signature in black ink on a light gray dotted background. The signature reads "Jon W. Dudas" in a cursive style.

JON W. DUDAS

Director of the United States Patent and Trademark Office