

US00D543569S

(12) **United States Design Patent**
Clark et al.

(10) **Patent No.:** **US D543,569 S**

(45) **Date of Patent:** **** May 29, 2007**

(54) **CAMERA WITH FOLDABLE ARM FOR LENS**

D470,522 S * 2/2003 Friedrichs et al. D16/211
D470,876 S * 2/2003 Friedrichs et al. D16/208
7,004,648 B2 * 2/2006 Ariga 396/419

(75) Inventors: **Gina Clark**, Belmont, CA (US); **Kevin Tregear**, Livermore, CA (US); **George Basmadjian**, Union City, CA (US); **Tom Markworth**, San Carlos, CA (US); **Mark Martinez**, San Francisco, CA (US); **Jean-Michel Chardon**, Livermore, CA (US); **Frantz Lohier**, El Cerrito, CA (US); **Ivan Ho**, Fremont, CA (US)

* cited by examiner

Primary Examiner—Adir Aronovich
(74) *Attorney, Agent, or Firm*—Townsend and Townsend and Crew LLP

(73) Assignee: **Logitech Europe S.A.** (CH)

(**) Term: **14 Years**

(57) **CLAIM**

The ornamental design for camera with foldable arm for lens, as shown and described.

(21) Appl. No.: **29/240,180**

(22) Filed: **Oct. 7, 2005**

DESCRIPTION

(51) **LOC (8) Cl.** **16-01**

(52) **U.S. Cl.** **D16/211; D16/218**

(58) **Field of Classification Search** D16/200–206,
D16/208, 211, 213, 218; 348/373–376; 396/419,
396/535, 536–541

FIG. 1 is a perspective view of a camera with foldable arm for lens showing our new design;

FIG. 2 is a perspective view thereof with the foldable arm in a folded position;

FIG. 3 is a left elevational view thereof;

FIG. 4 is a right elevational view thereof;

FIG. 5 is a front elevational view thereof;

FIG. 6 is a rear elevational view thereof;

FIG. 7 is a top plan view thereof; and,

FIG. 8 is a bottom plan view thereof.

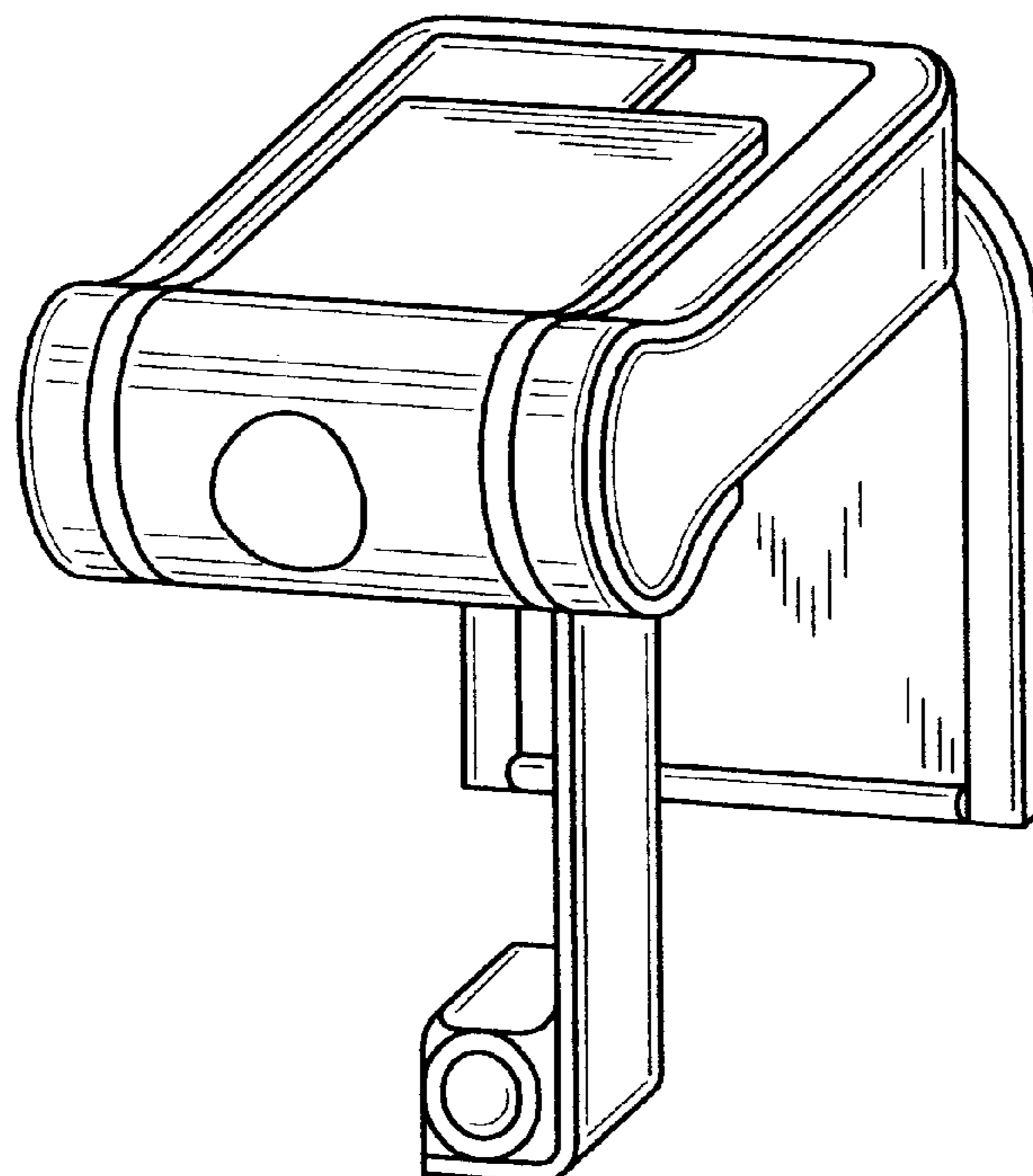
See application file for complete search history.

(56) **References Cited**

U.S. PATENT DOCUMENTS

D470,521 S * 2/2003 Friedrichs et al. D16/205

1 Claim, 4 Drawing Sheets



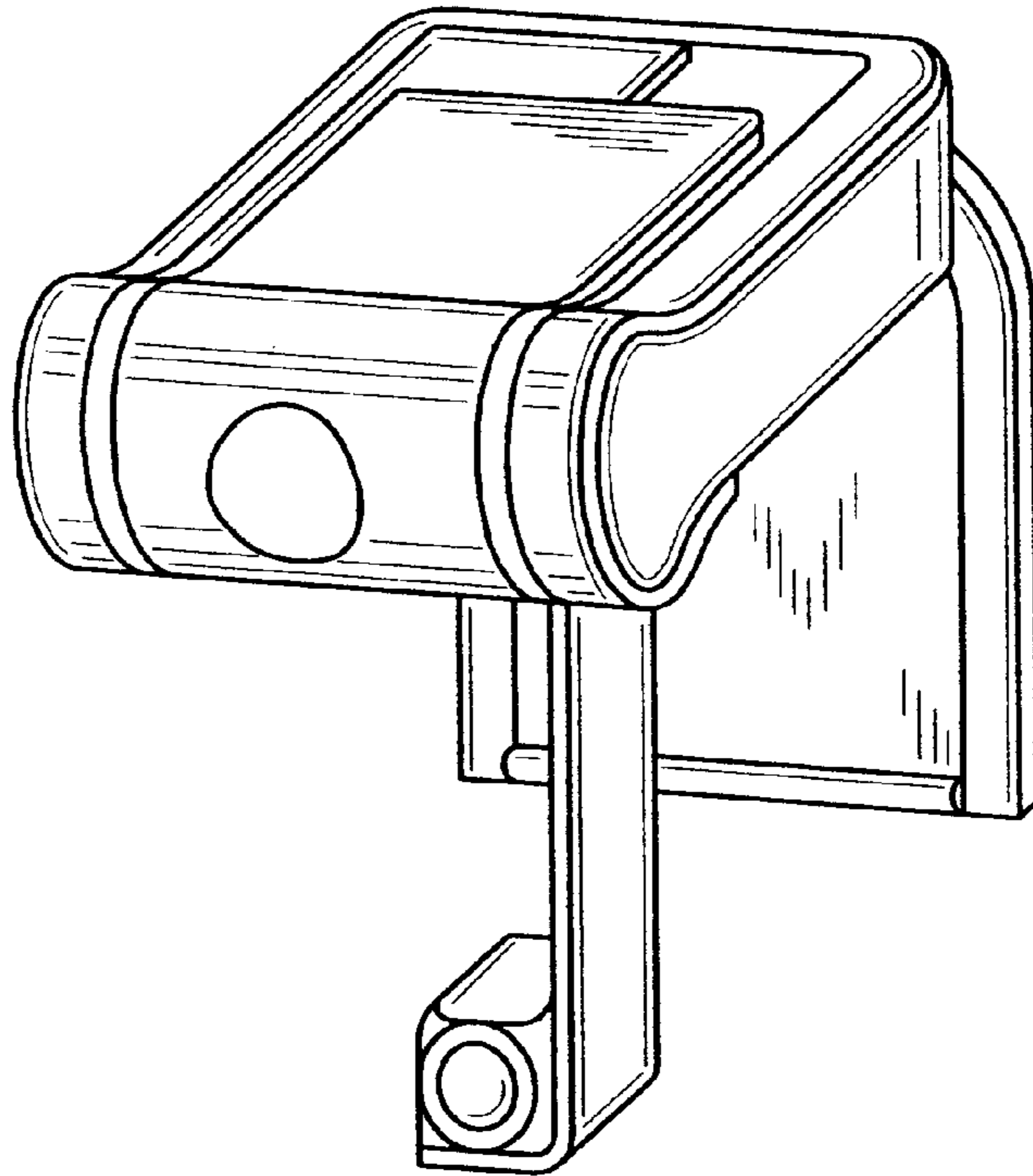


FIG. 1

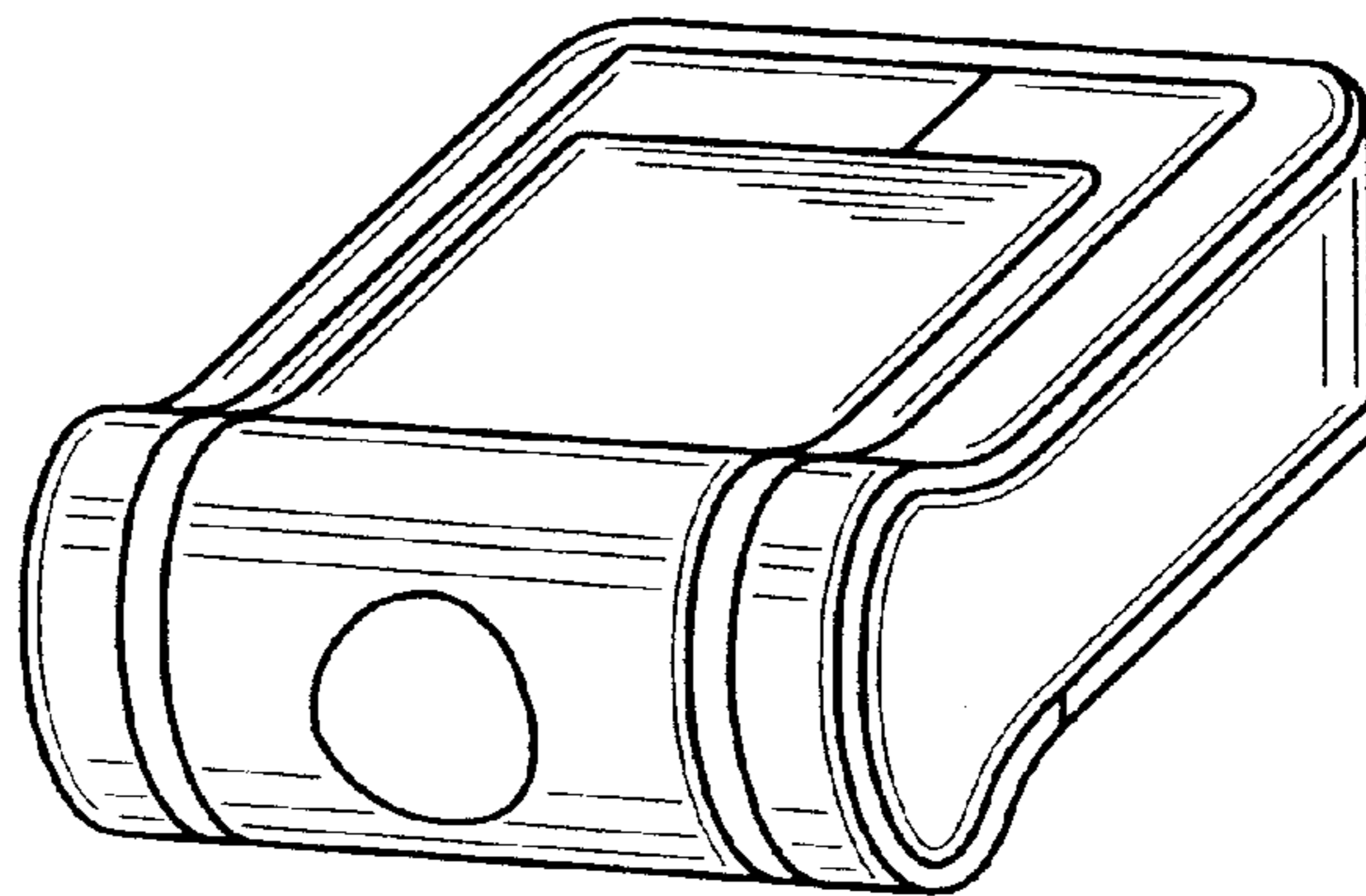


FIG. 2

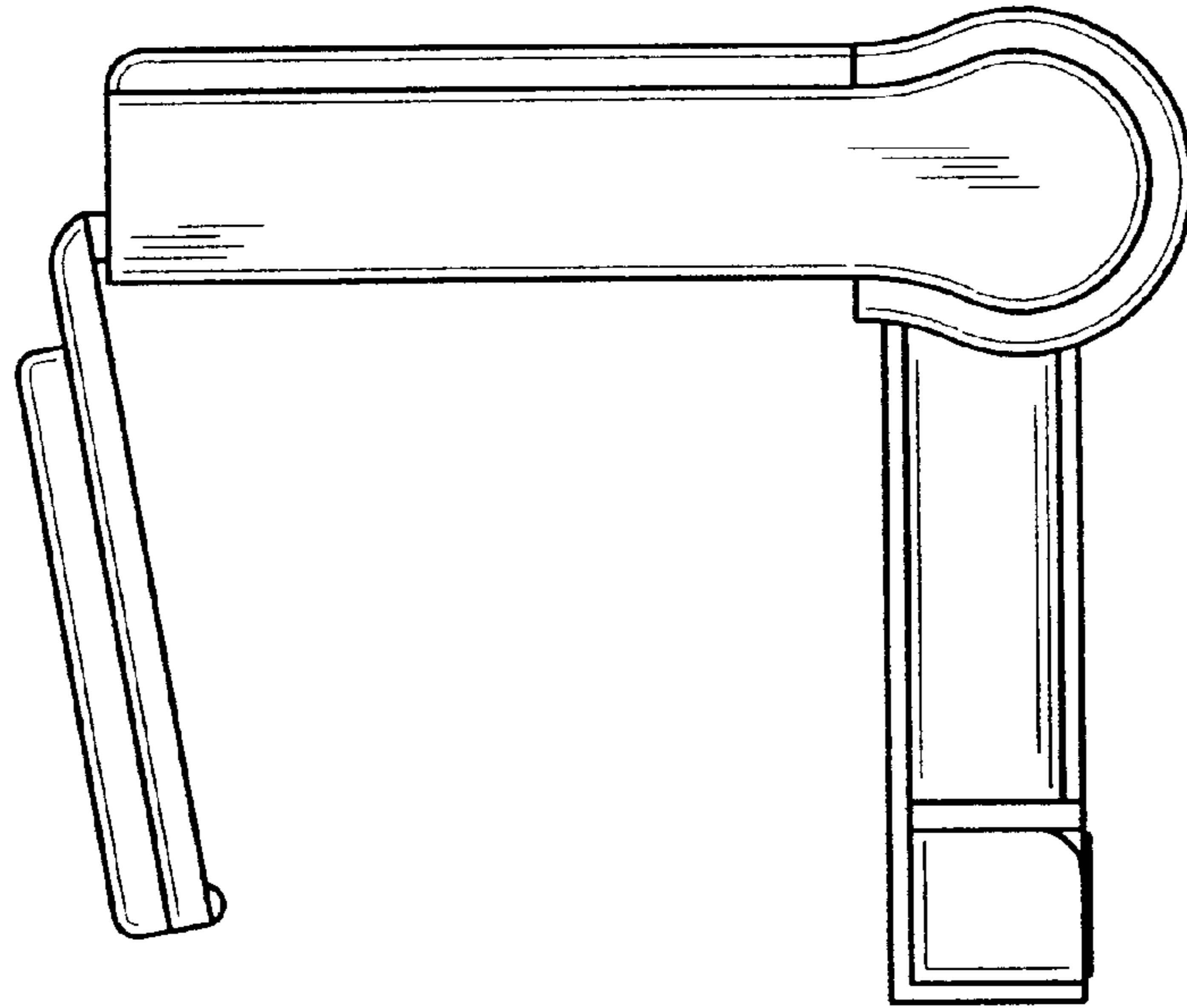


FIG. 3

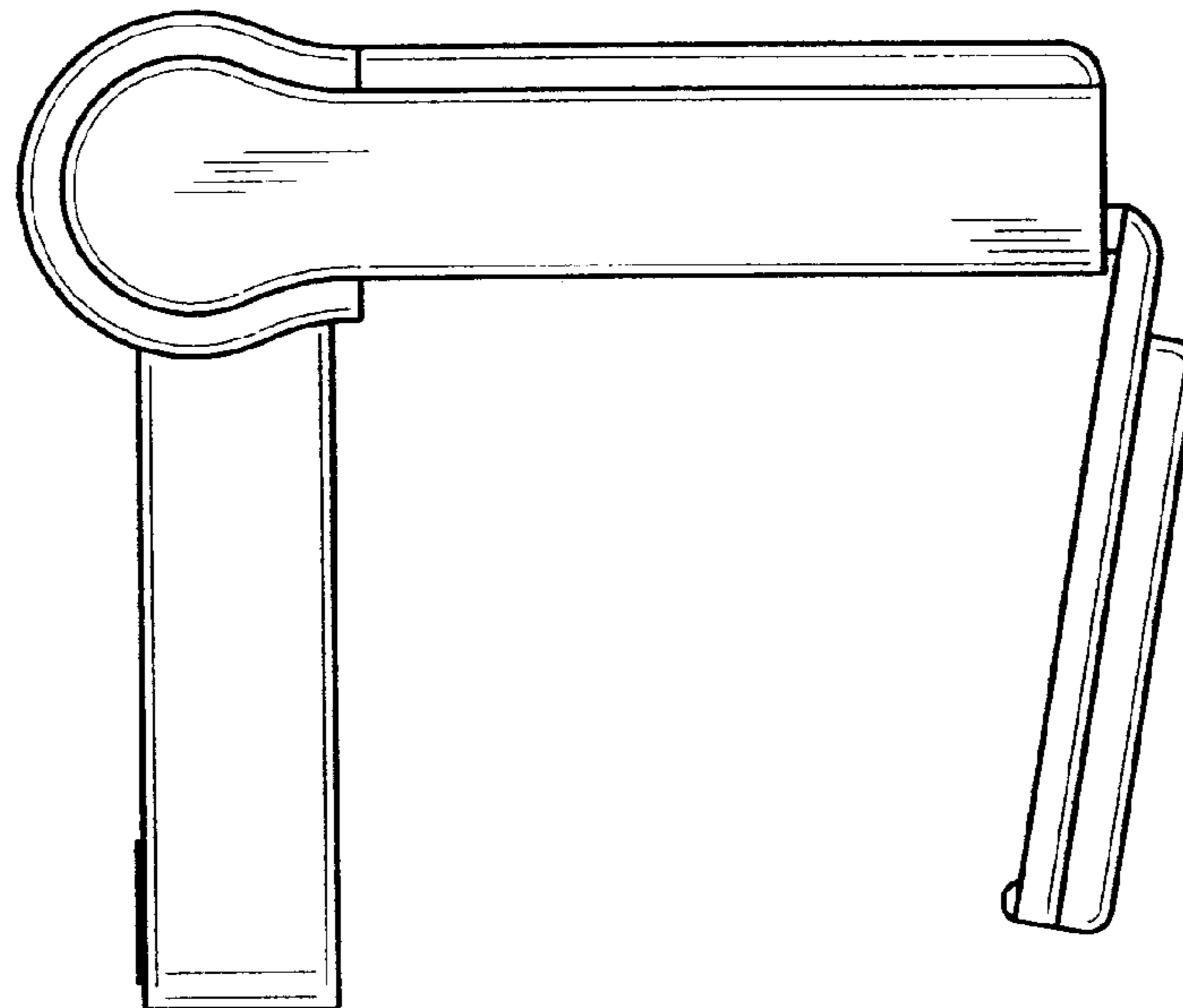


FIG. 4

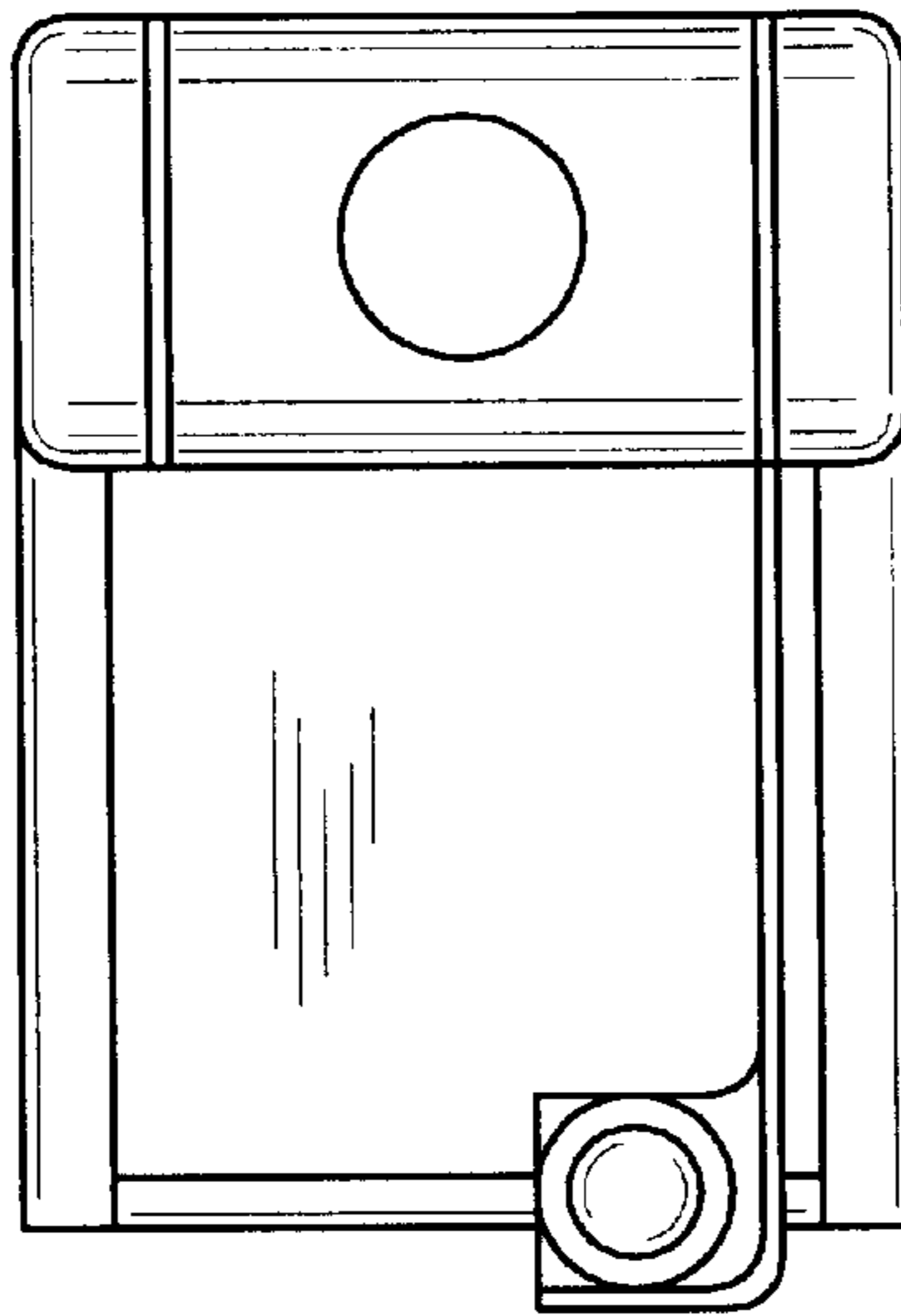


FIG. 5

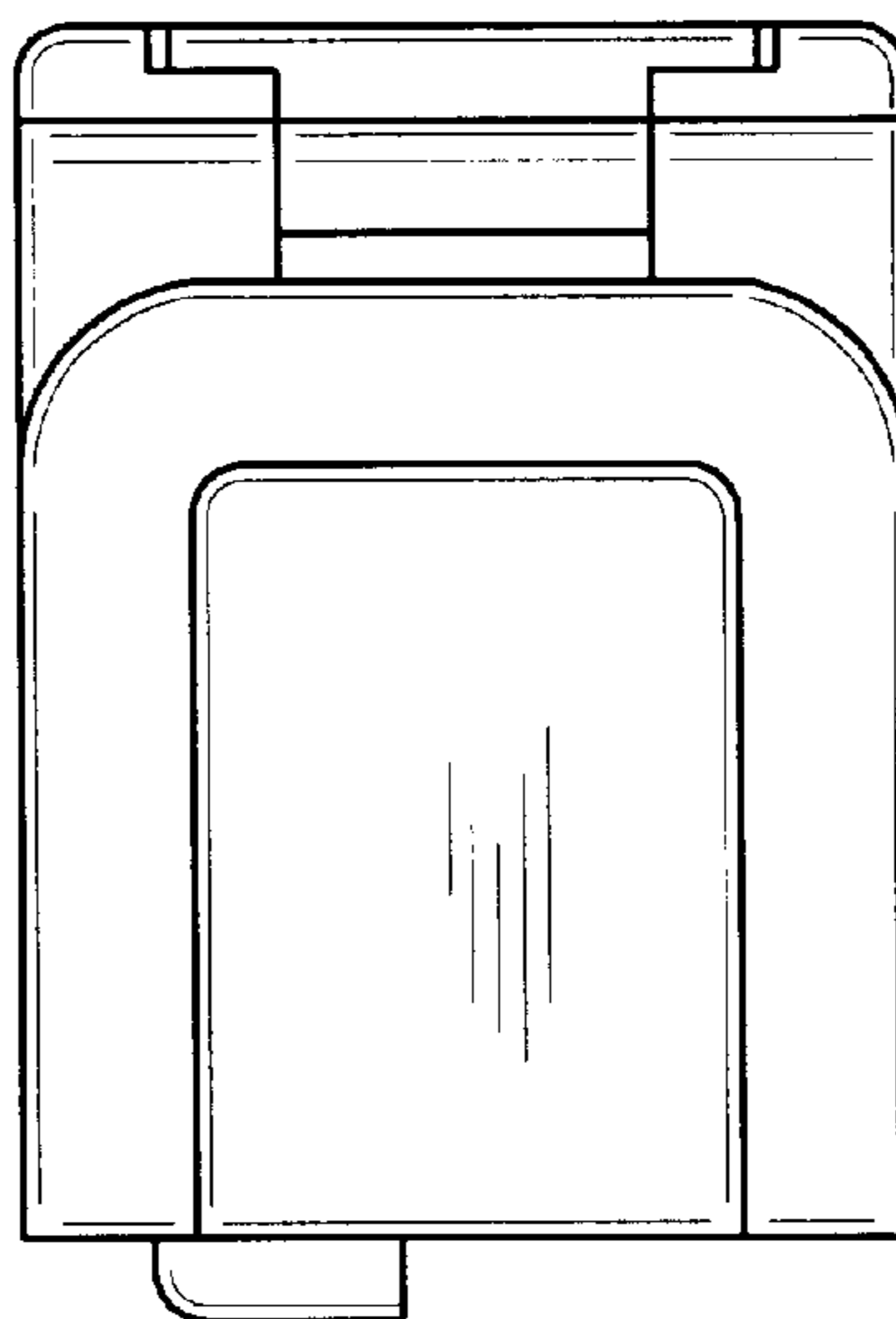


FIG. 6

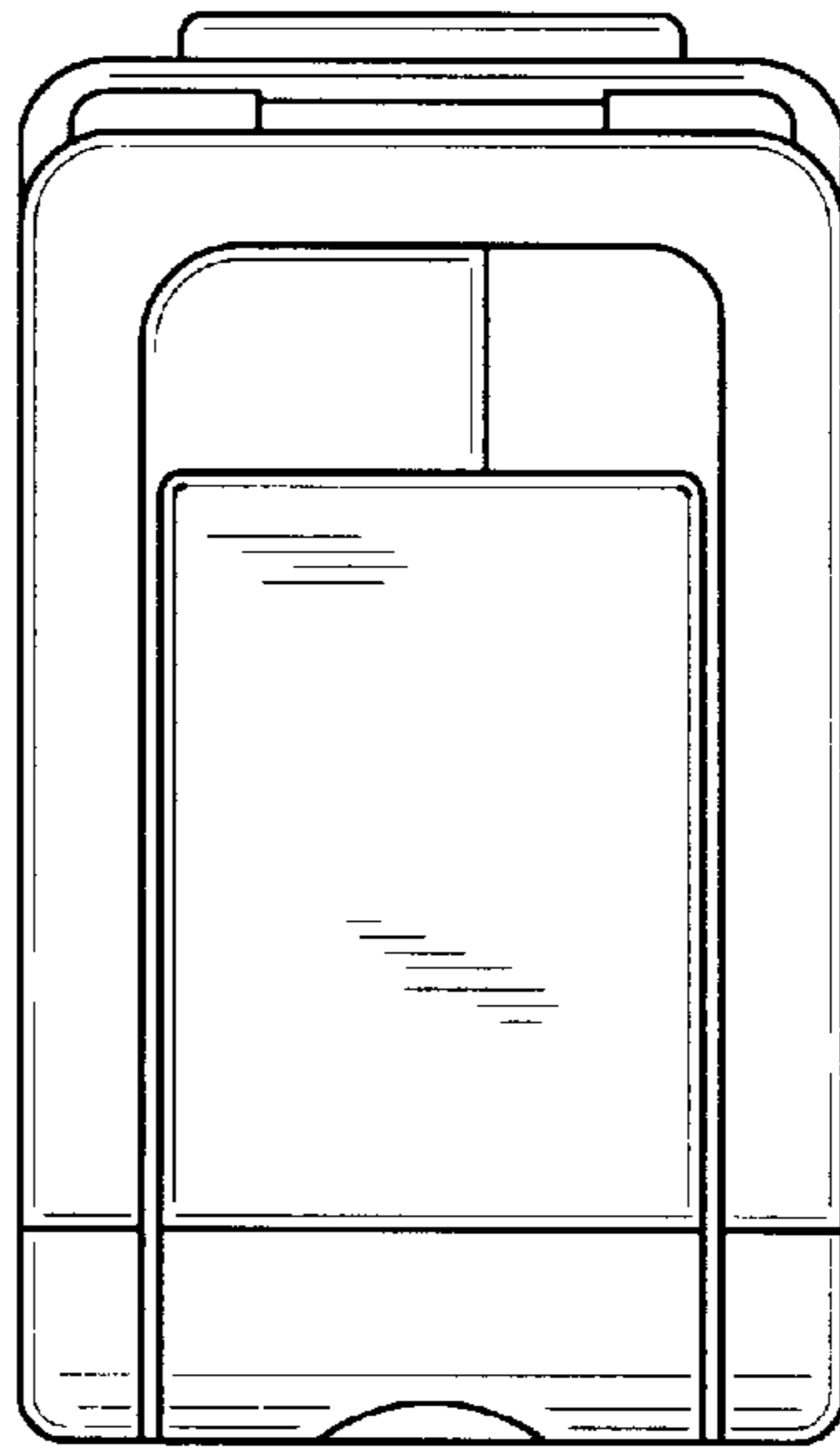


FIG. 7

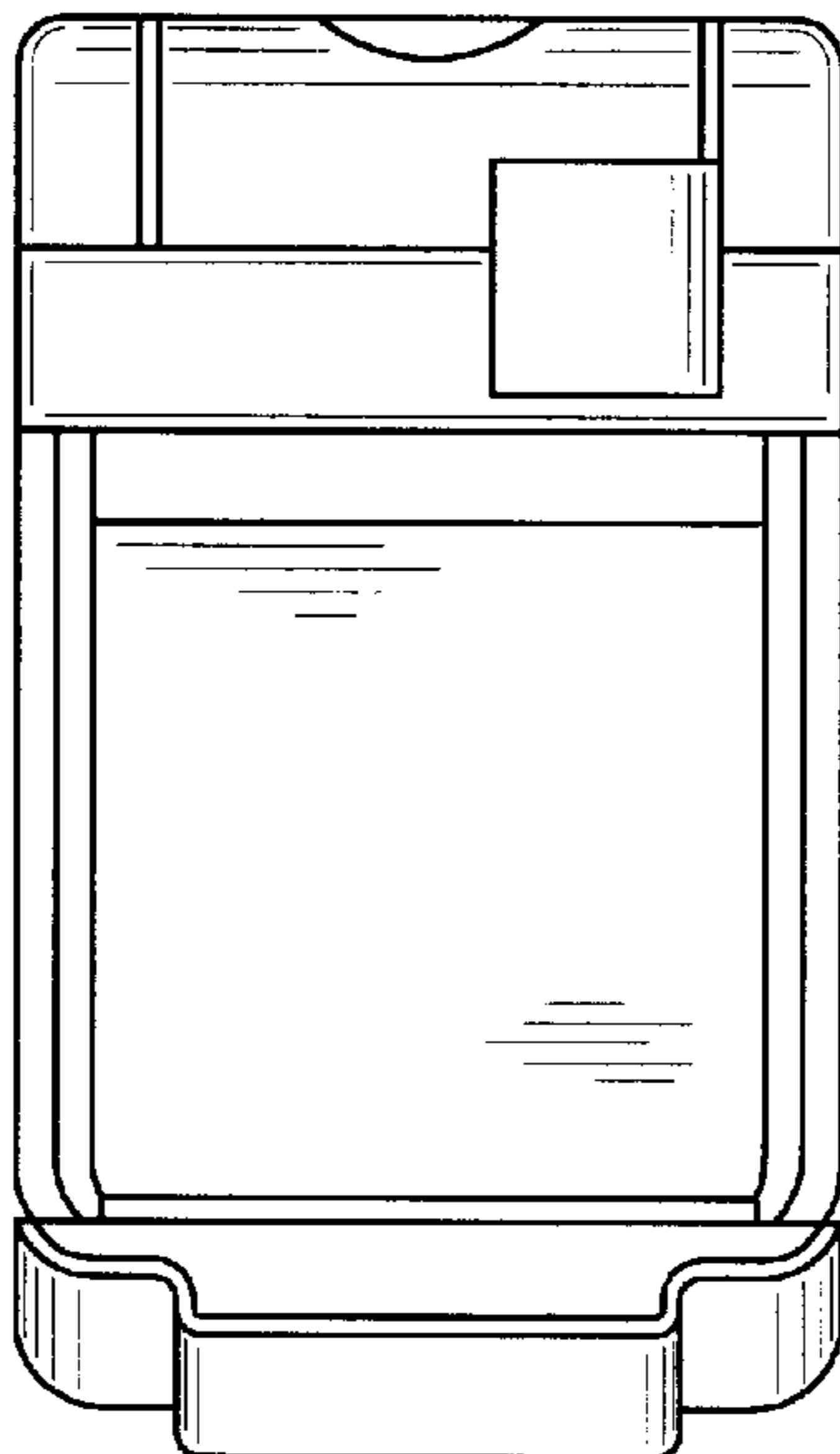


FIG. 8