

US00D543568S

(12) **United States Design Patent**
Naruki

(10) **Patent No.:** **US D543,568 S**

(45) **Date of Patent:** **** May 29, 2007**

(54) **BODY OF A TELEVISION CAMERA**

D522,035 S * 5/2006 Muto D16/203

(75) Inventor: **Masatomo Naruki**, Kawasaki (JP)

FOREIGN PATENT DOCUMENTS

(73) Assignee: **Kabushiki Kaisha Toshiba** (JP)

DE	G 402 02 750.7	7/2002
JP	876512	9/1993
JP	1033714	3/1999
JP	1239886	5/2005

(**) Term: **14 Years**

(21) Appl. No.: **29/241,067**

OTHER PUBLICATIONS

(22) Filed: **Oct. 24, 2005**

Hamamatsu Photonics K.K. Catalog of a 3CCD color camera and camera head (ORCA-3CCD).

(30) **Foreign Application Priority Data**

Flovel Co., Ltd. Catalog of CCD digital camera (ADK-1100B/C).

Sep. 8, 2005 (JP) 2005-025963

(51) **LOC (8) Cl.** **16-01**

* cited by examiner

(52) **U.S. Cl.** **D16/203**

Primary Examiner—Adir Aronovich

(58) **Field of Classification Search** D16/200–205,
D16/208, 218; 348/143, 151, 373–376; 396/427,
396/535, 536–541

(74) *Attorney, Agent, or Firm*—Banner & Witcoff, Ltd.

See application file for complete search history.

(57) **CLAIM**

The ornamental design for a body of a television camera, as shown and described.

(56) **References Cited**

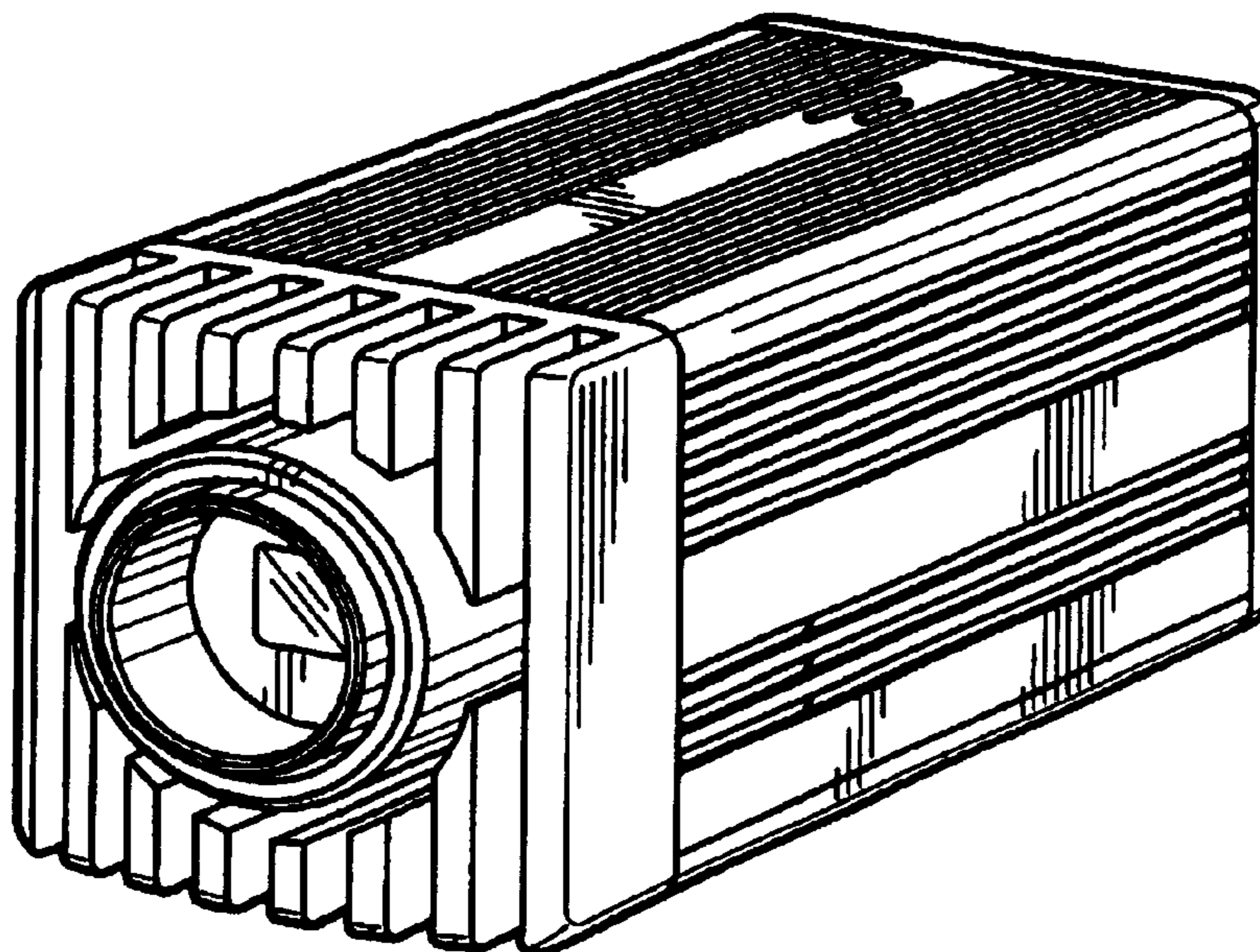
DESCRIPTION

U.S. PATENT DOCUMENTS

D366,271 S	*	1/1996	Hasegawa	D16/203
D373,593 S		9/1996	Hiroko et al.		
D409,641 S	*	5/1999	Uehara	D16/203
D410,936 S	*	6/1999	Isono	D16/202
D426,844 S	*	6/2000	Fujii	D16/203
D446,801 S	*	8/2001	Adachi et al.	D16/203
D470,520 S	*	2/2003	Yamakawa et al.	D16/203
6,671,462 B2	*	12/2003	Misawa	396/539
6,683,654 B1	*	1/2004	Haijima	348/374
6,728,480 B1	*	4/2004	Maeda et al.	348/373
D489,744 S		5/2004	Muto		

FIG. 1 is a front, top and right side perspective view of a body of a television camera, showing my new design; FIG. 2 is a front elevational view thereof; FIG. 3 is a rear elevational view thereof; FIG. 4 is a top plan view thereof; FIG. 5 is a bottom plan view thereof; FIG. 6 is a right side elevational view thereof; and, FIG. 7 is a left side elevational view thereof.

1 Claim, 2 Drawing Sheets



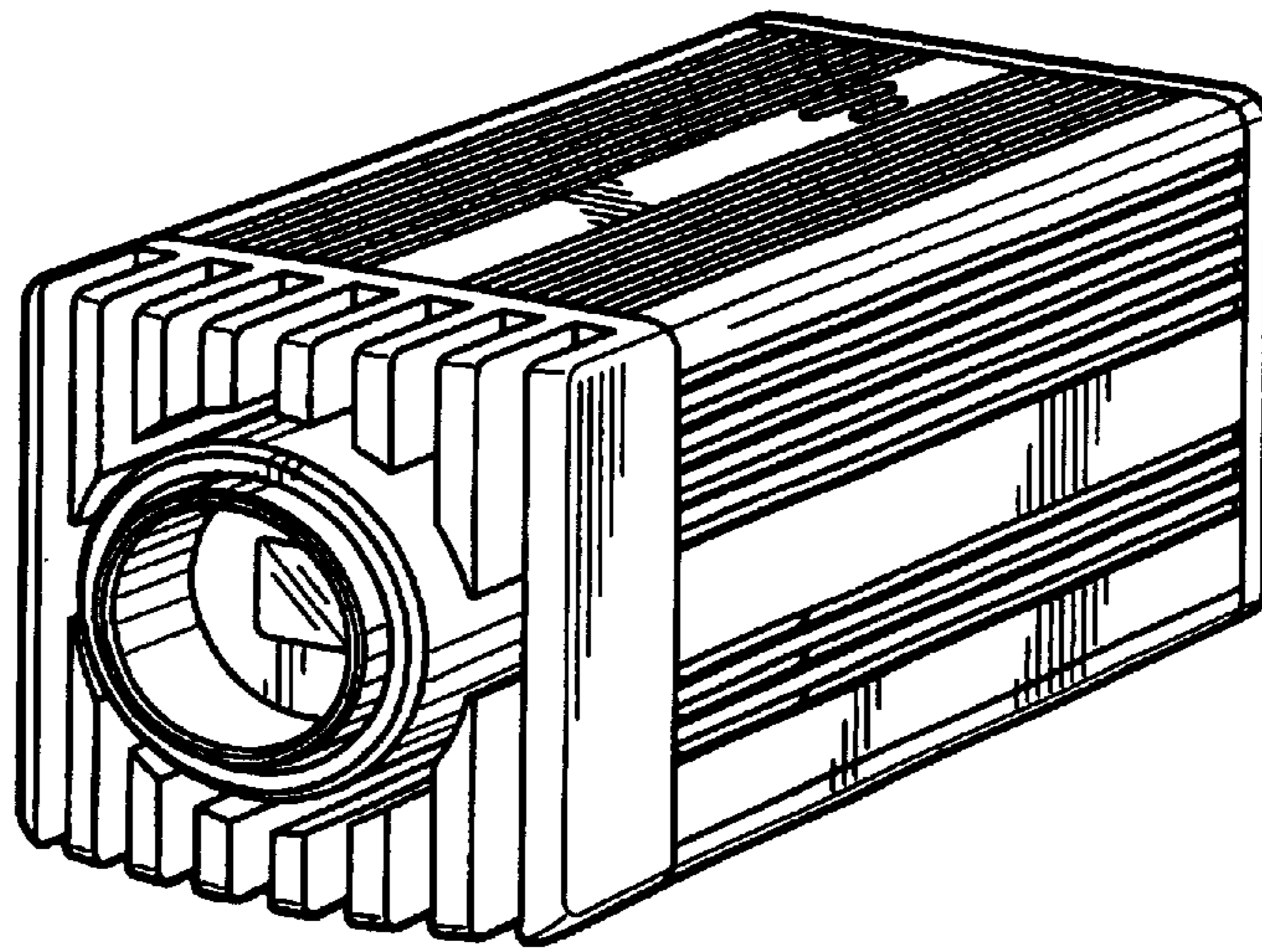


FIG. 1

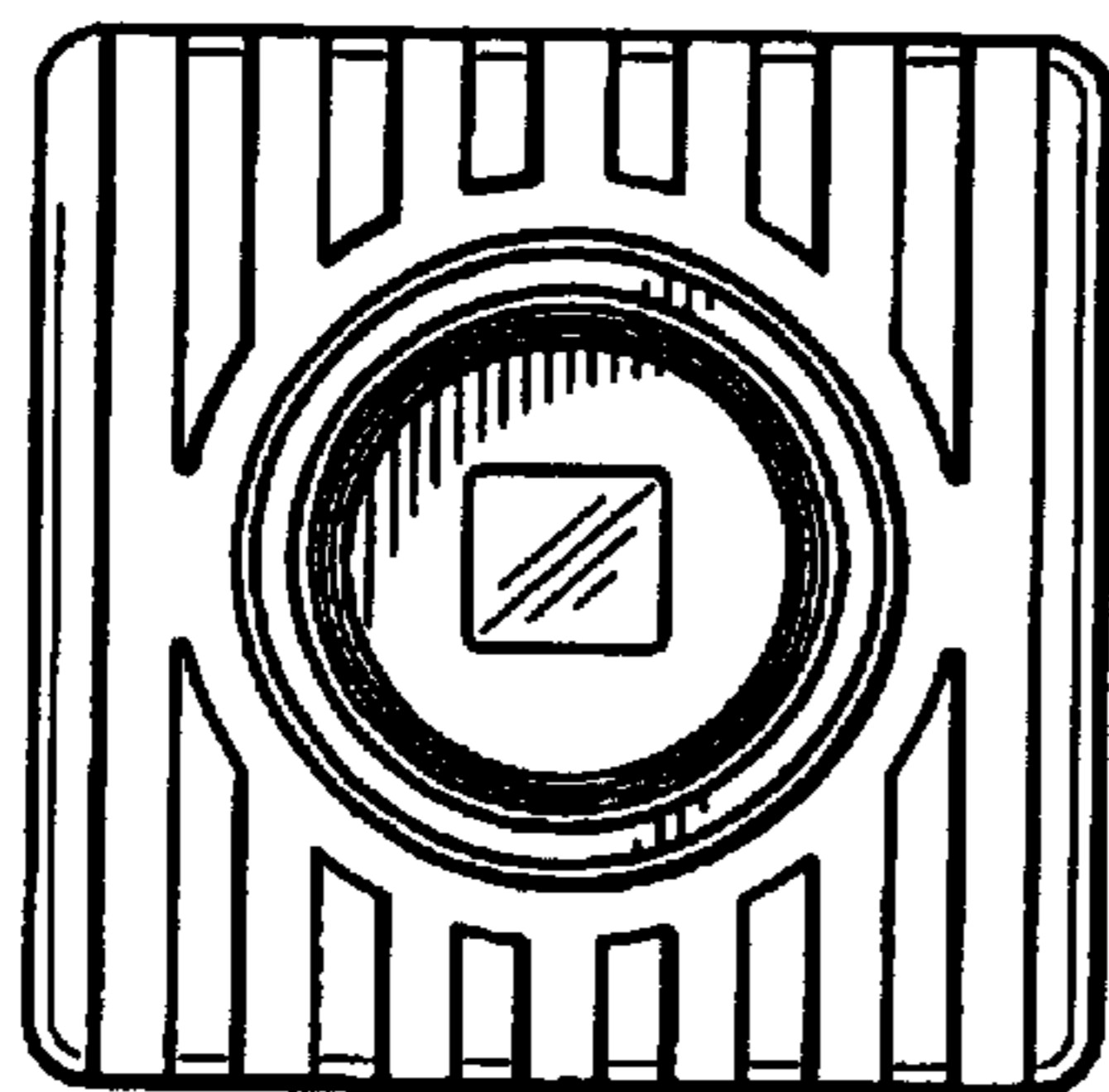


FIG. 2

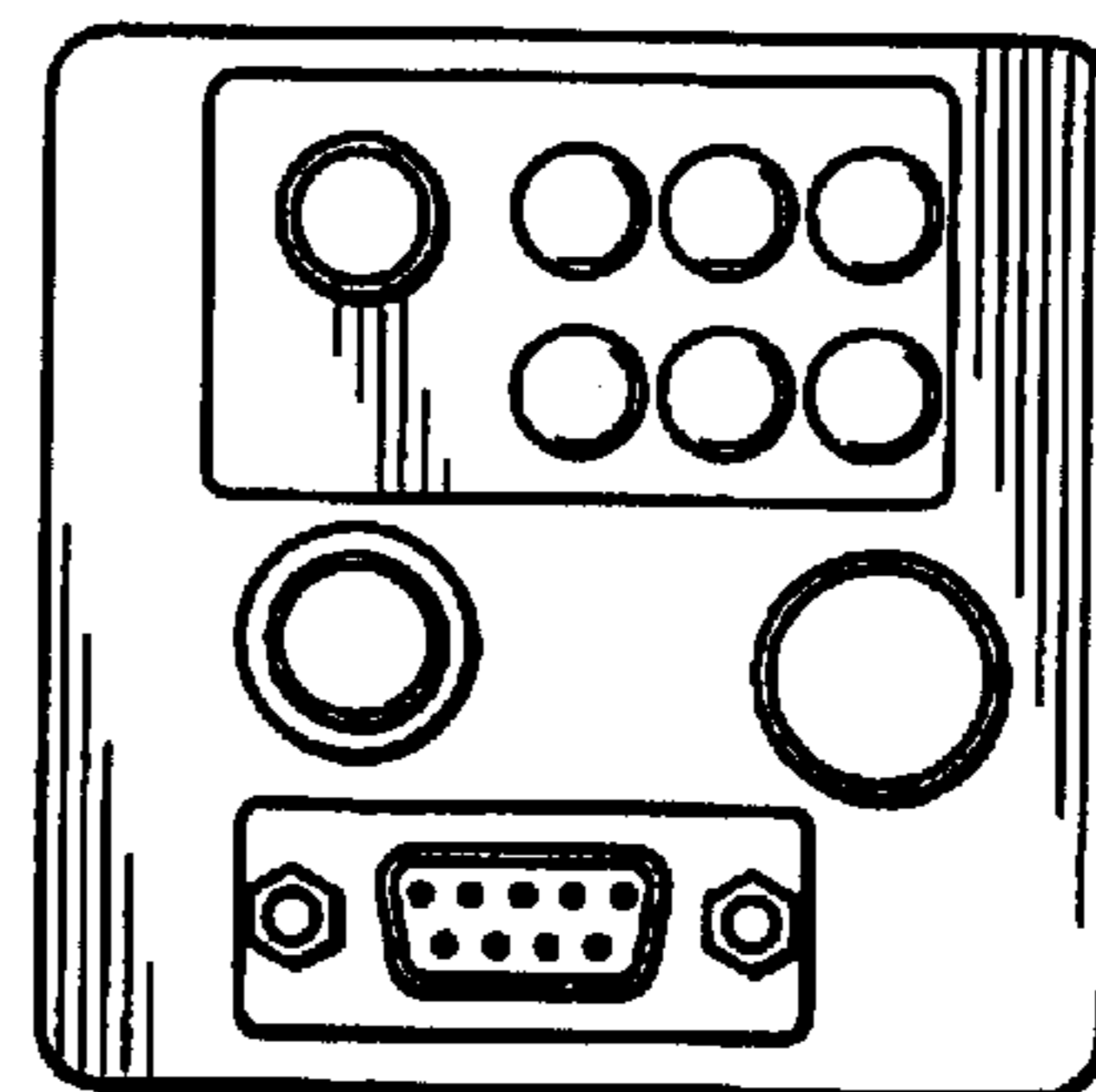


FIG. 3

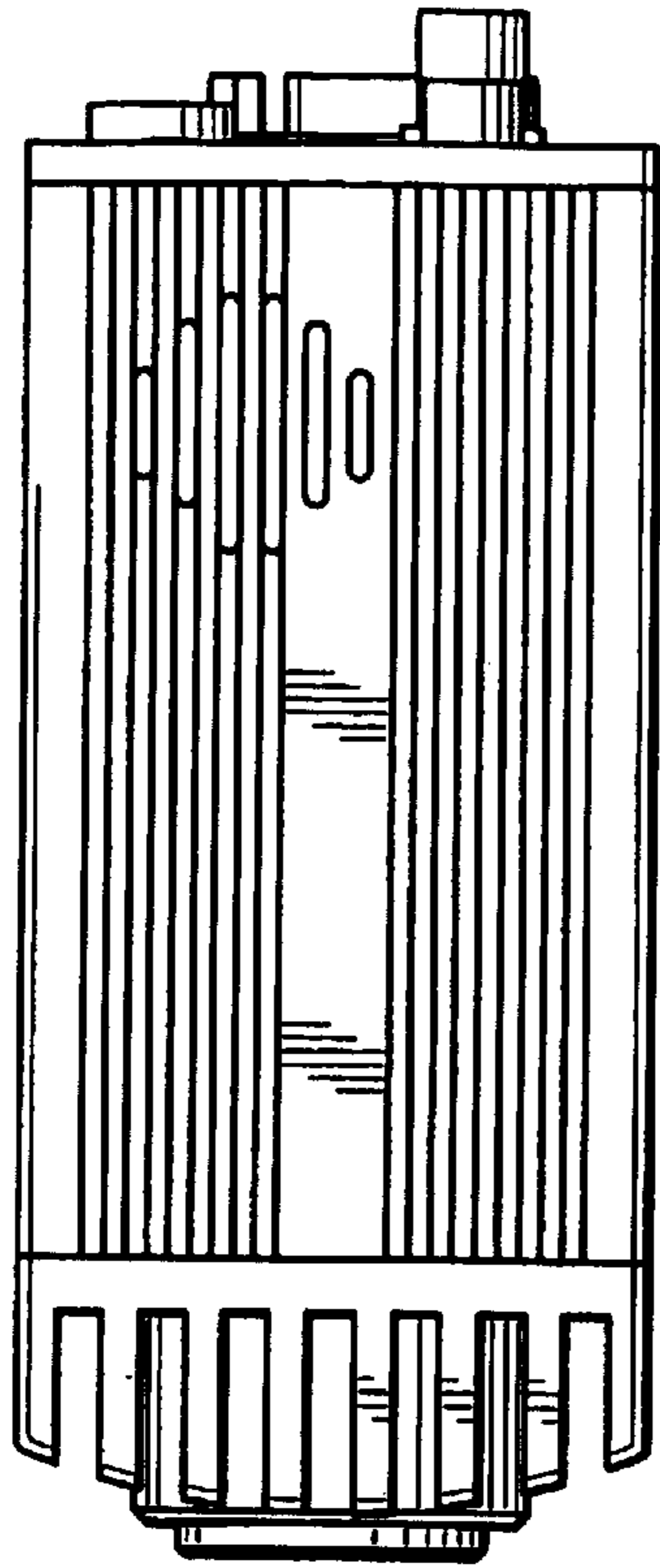


FIG. 4

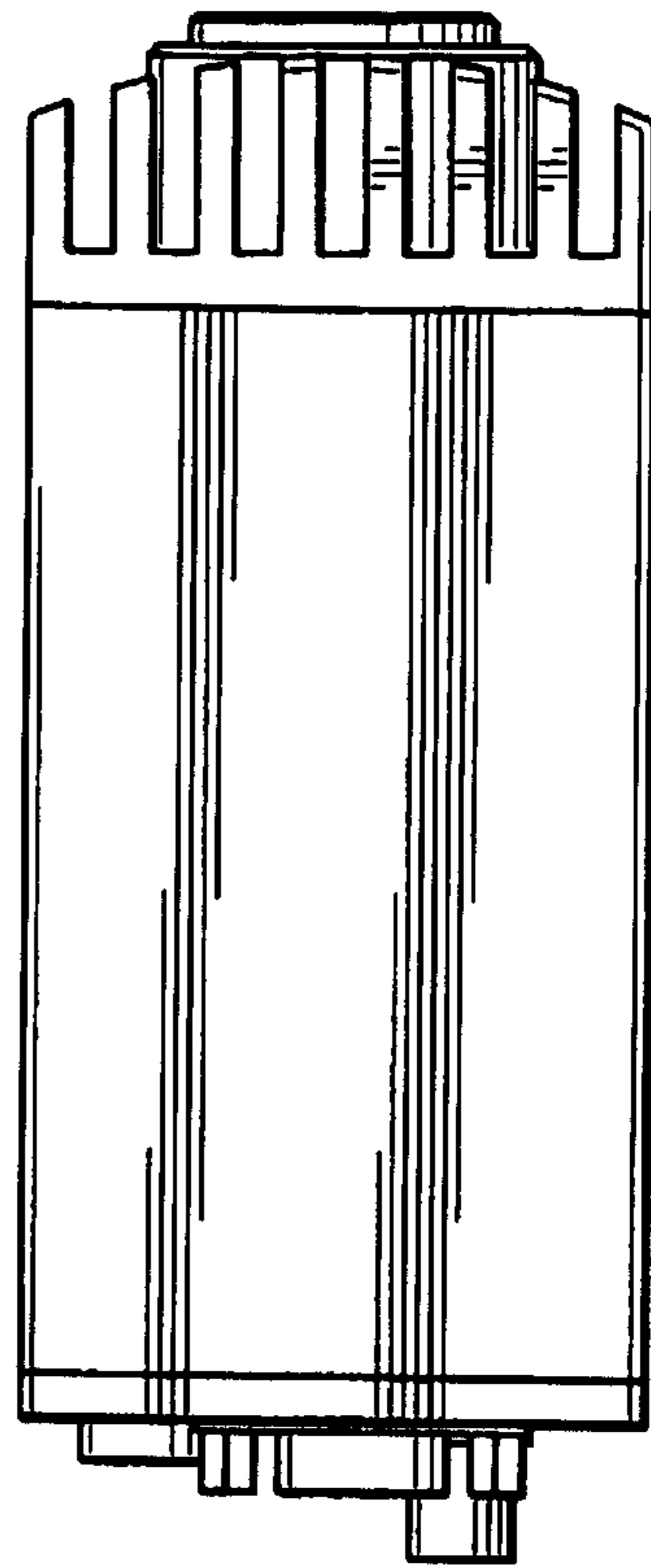


FIG. 5

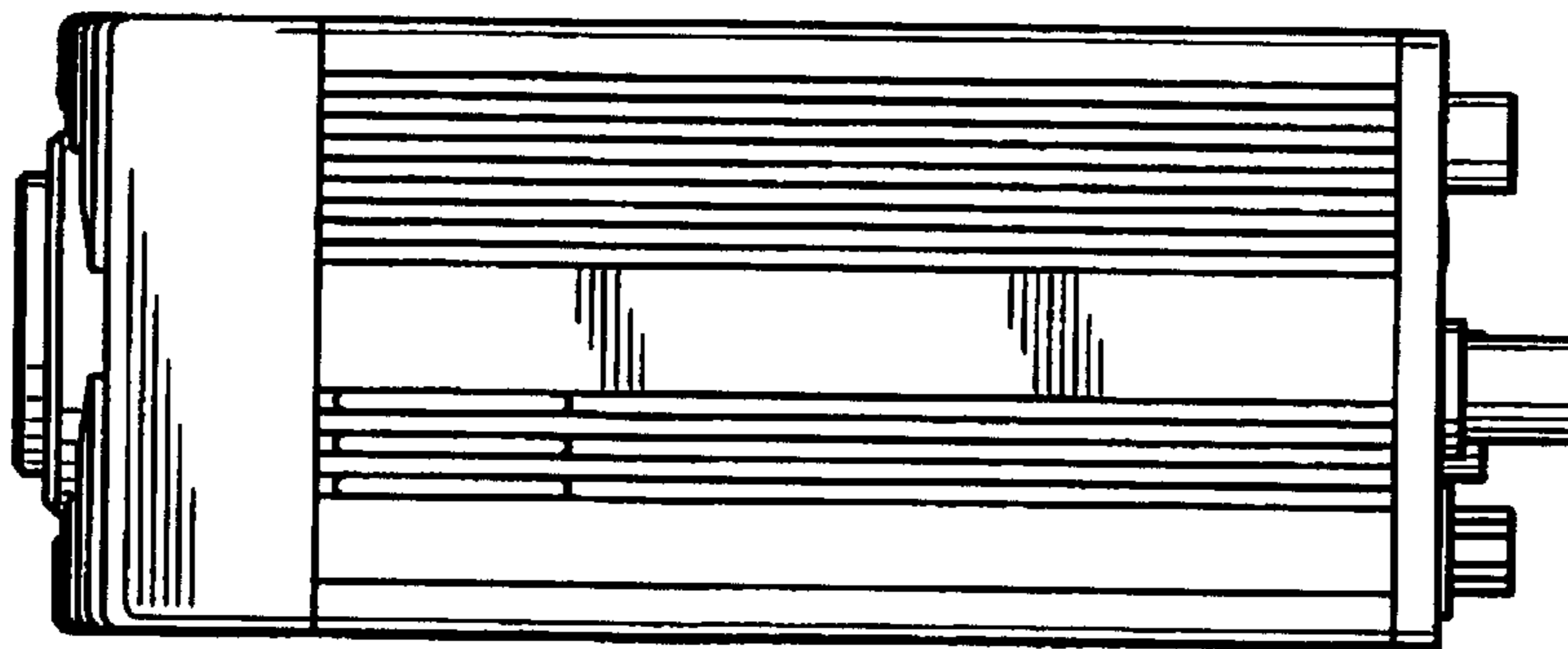


FIG. 6

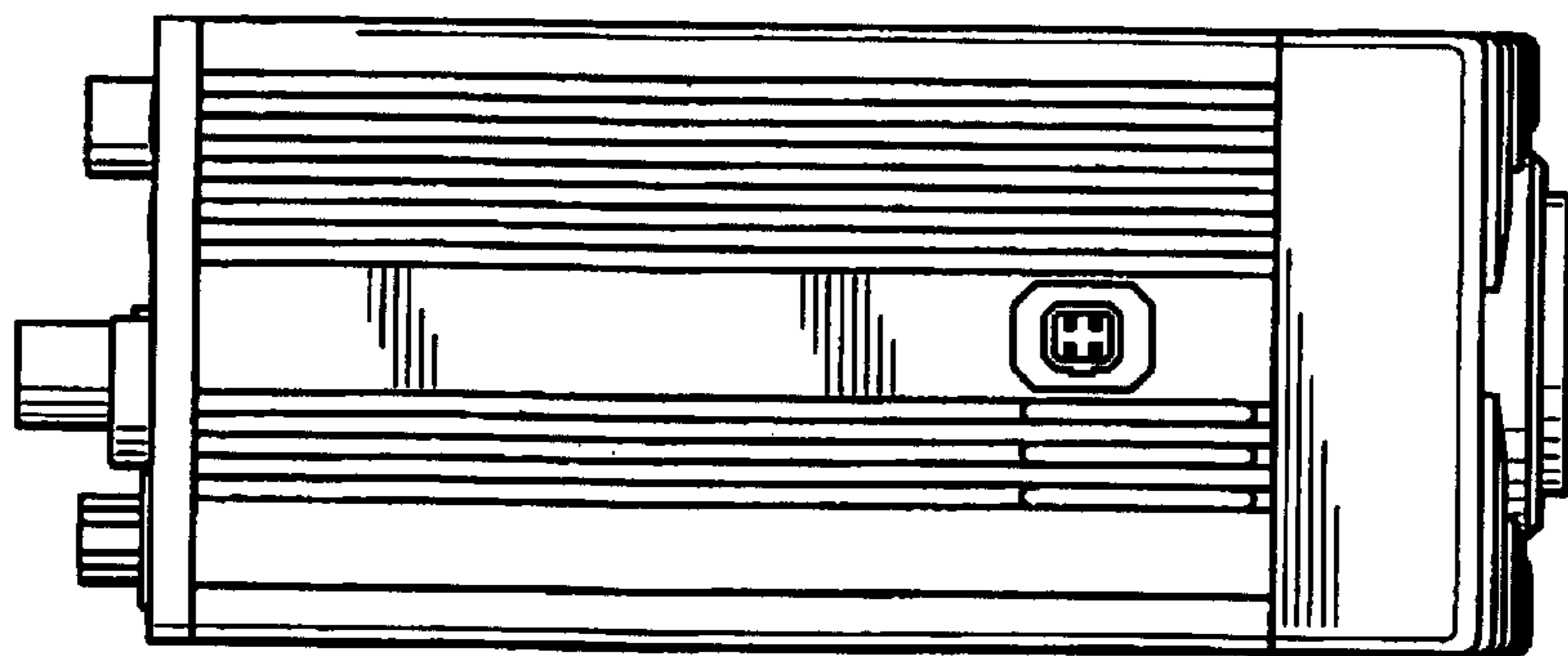


FIG. 7