



US00D543567S

(12) **United States Design Patent**  
**Kato et al.**

(10) **Patent No.:** **US D543,567 S**

(45) **Date of Patent:** **\*\* \*May 29, 2007**

(54) **SURVEILLANCE TELEVISION CAMERA**

(75) Inventors: **Tetsuro Kato**, Nagoya (JP); **Akira Yamane**, Nagoya (JP); **Eiji Togawa**, Mizuho-ku (JP)

(73) Assignee: **Elmo Co., Ltd.**, Aichi (JP)

(\*) Notice: This patent is subject to a terminal disclaimer.

(\*\*) Term: **14 Years**

(21) Appl. No.: **29/220,581**

(22) Filed: **Jan. 3, 2005**

(30) **Foreign Application Priority Data**

Jul. 26, 2004 (JP) ..... D2004-022319

(51) **LOC (8) Cl.** ..... **16-01**

(52) **U.S. Cl.** ..... **D16/203**

(58) **Field of Classification Search** ..... D16/200–206,  
D16/208, 218; 348/143, 151, 373–376; 358/906;  
396/427, 535, 536–541

See application file for complete search history.

(56) **References Cited**

**U.S. PATENT DOCUMENTS**

4,080,629 A \* 3/1978 Hammond et al. .... 348/373

D248,305 S \* 6/1978 Scott ..... D16/203  
6,268,882 B1 \* 7/2001 Elberbaum ..... 348/151  
6,525,766 B1 \* 2/2003 Ikoma et al. .... 348/151  
6,678,001 B1 \* 1/2004 Elberbaum ..... 348/373  
6,715,940 B2 \* 4/2004 Top et al. .... 396/427  
D494,992 S \* 8/2004 Seo ..... D16/203  
D497,927 S \* 11/2004 Arbuckle et al. .... D16/203

\* cited by examiner

*Primary Examiner*—Adir Aronovich

(74) *Attorney, Agent, or Firm*—Koda & Androlia

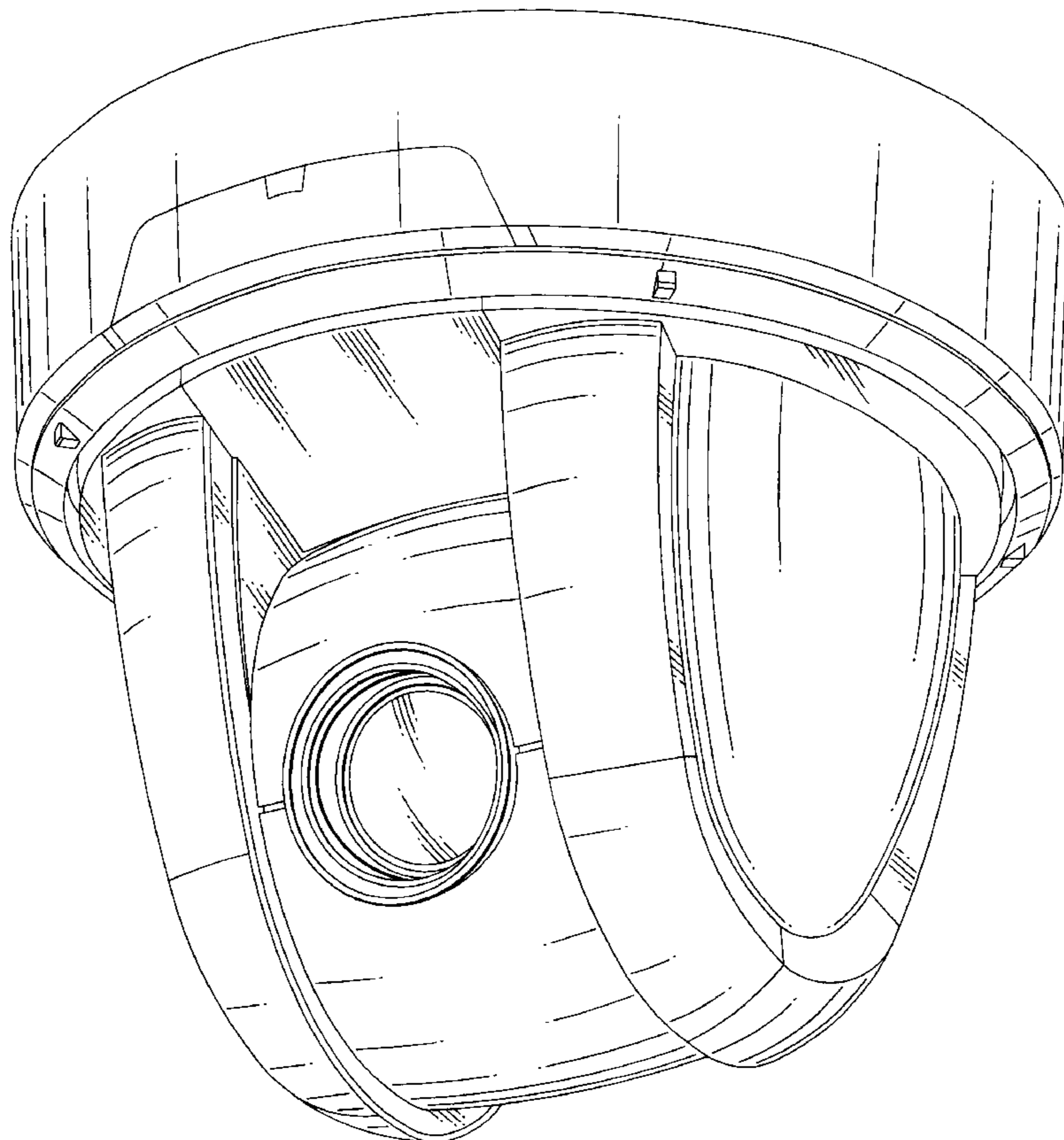
(57) **CLAIM**

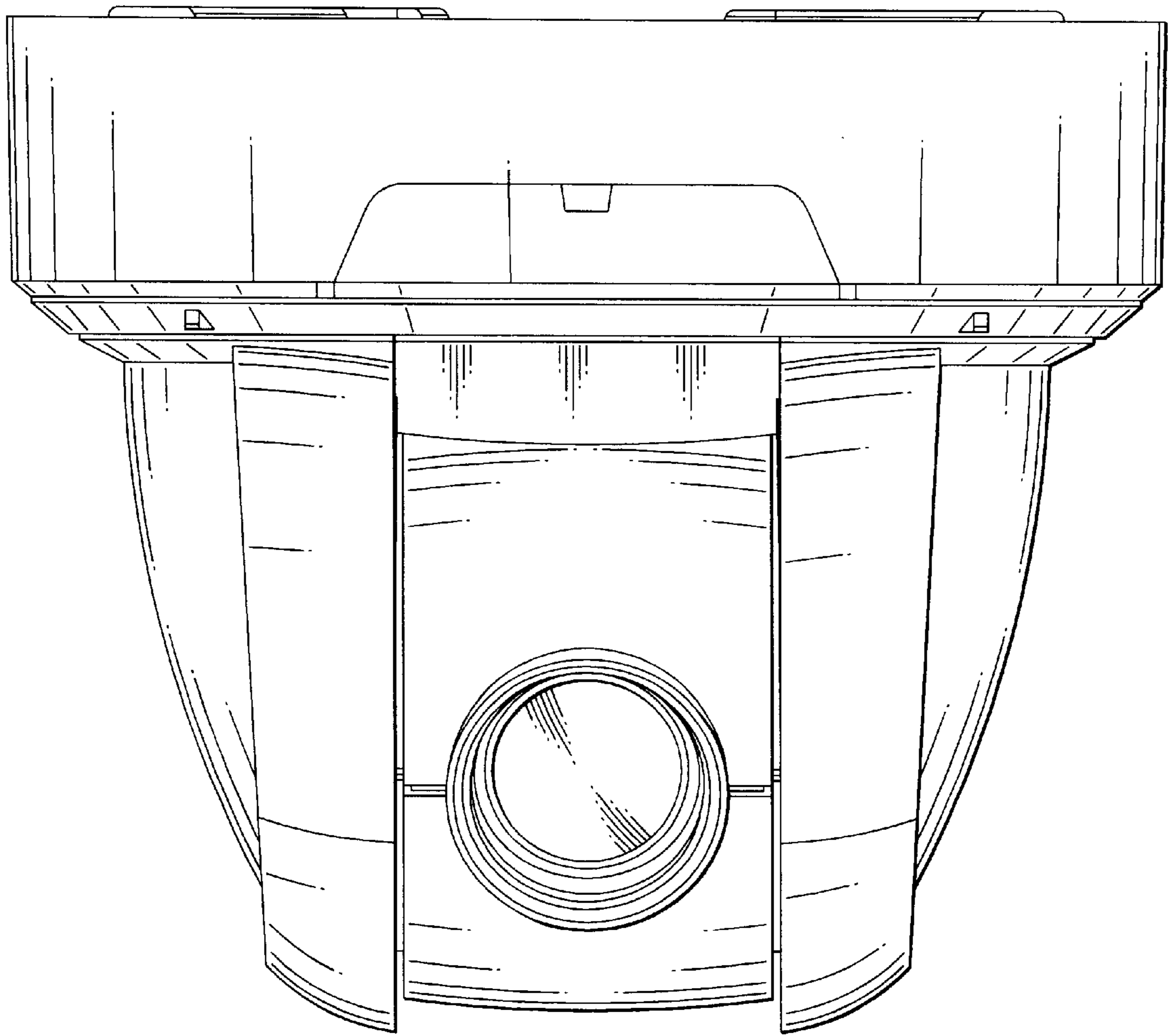
The ornamental design for a surveillance television camera, as shown and described.

**DESCRIPTION**

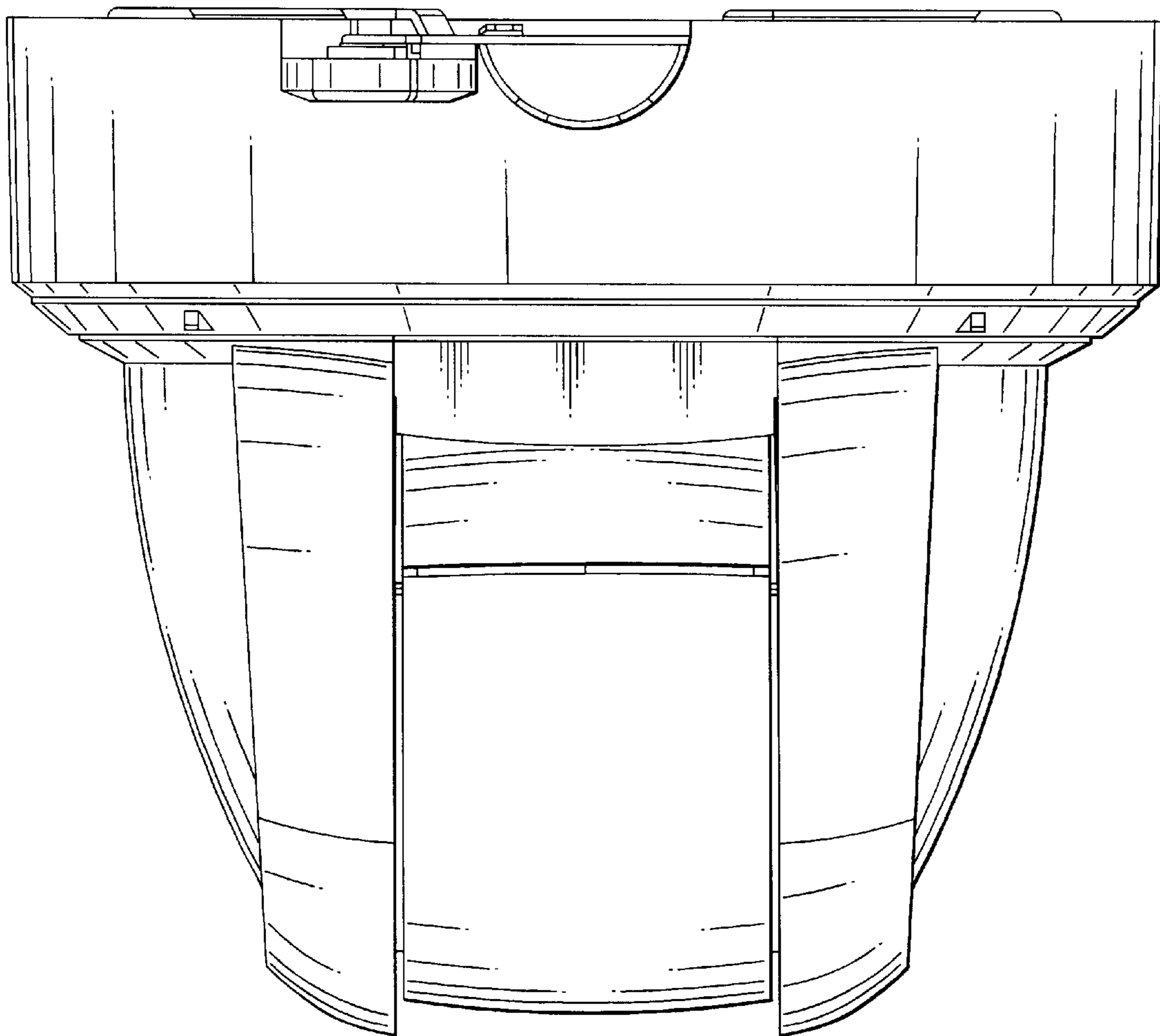
FIG. 1 is a front elevational view of the surveillance television camera showing our new design; FIG. 2 is a rear elevational view thereof; FIG. 3 is a top plan view thereof; FIG. 4 is a bottom plan view thereof; FIG. 5 is a right side elevational view thereof; FIG. 6 is a left side elevational view thereof; and, FIG. 7 is a perspective view taken from the front, bottom and right side of the surveillance television camera.

**1 Claim, 7 Drawing Sheets**

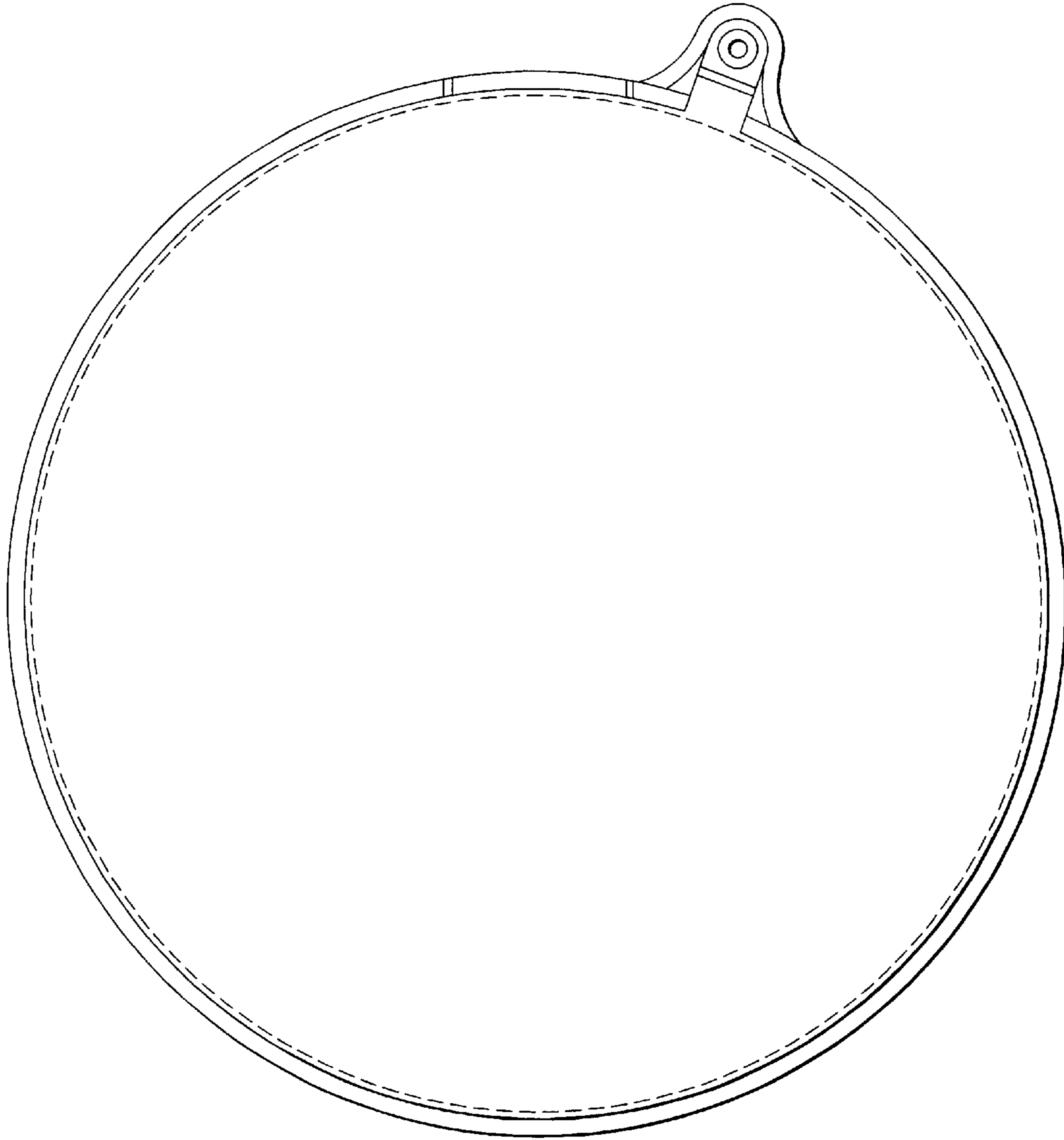




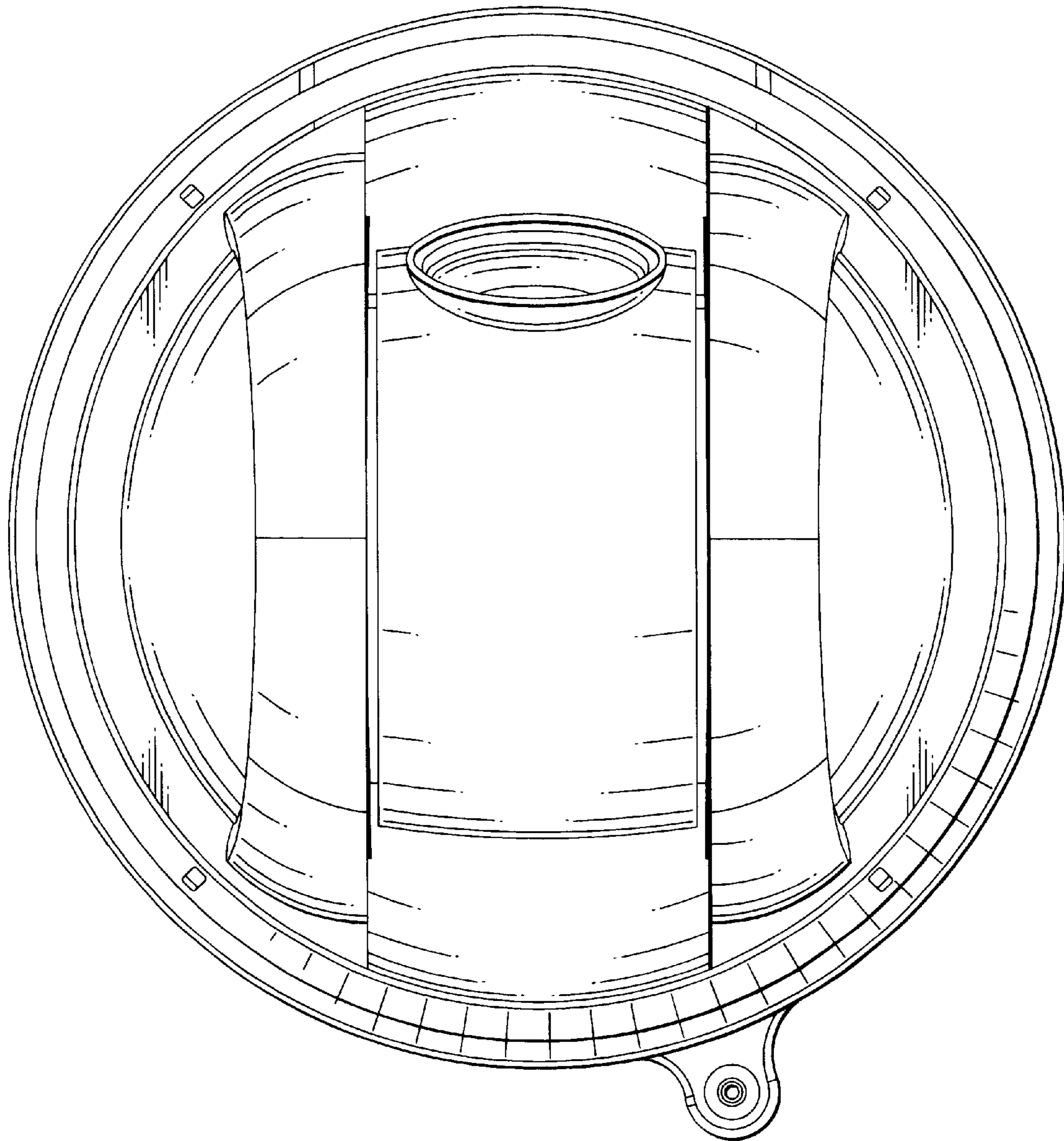
**FIG. 1**



**FIG. 2**



**FIG. 3**



**FIG. 4**



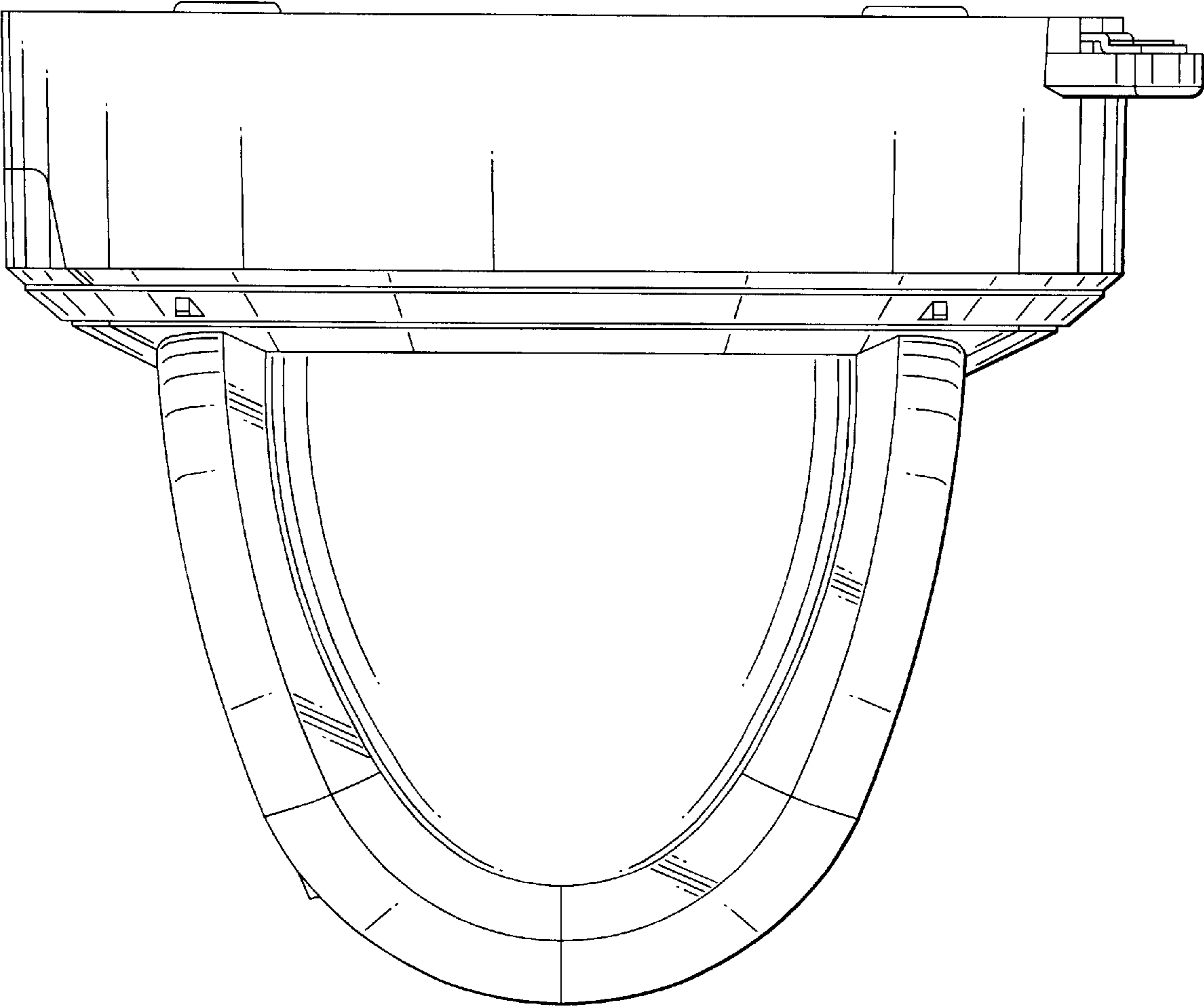


FIG. 5

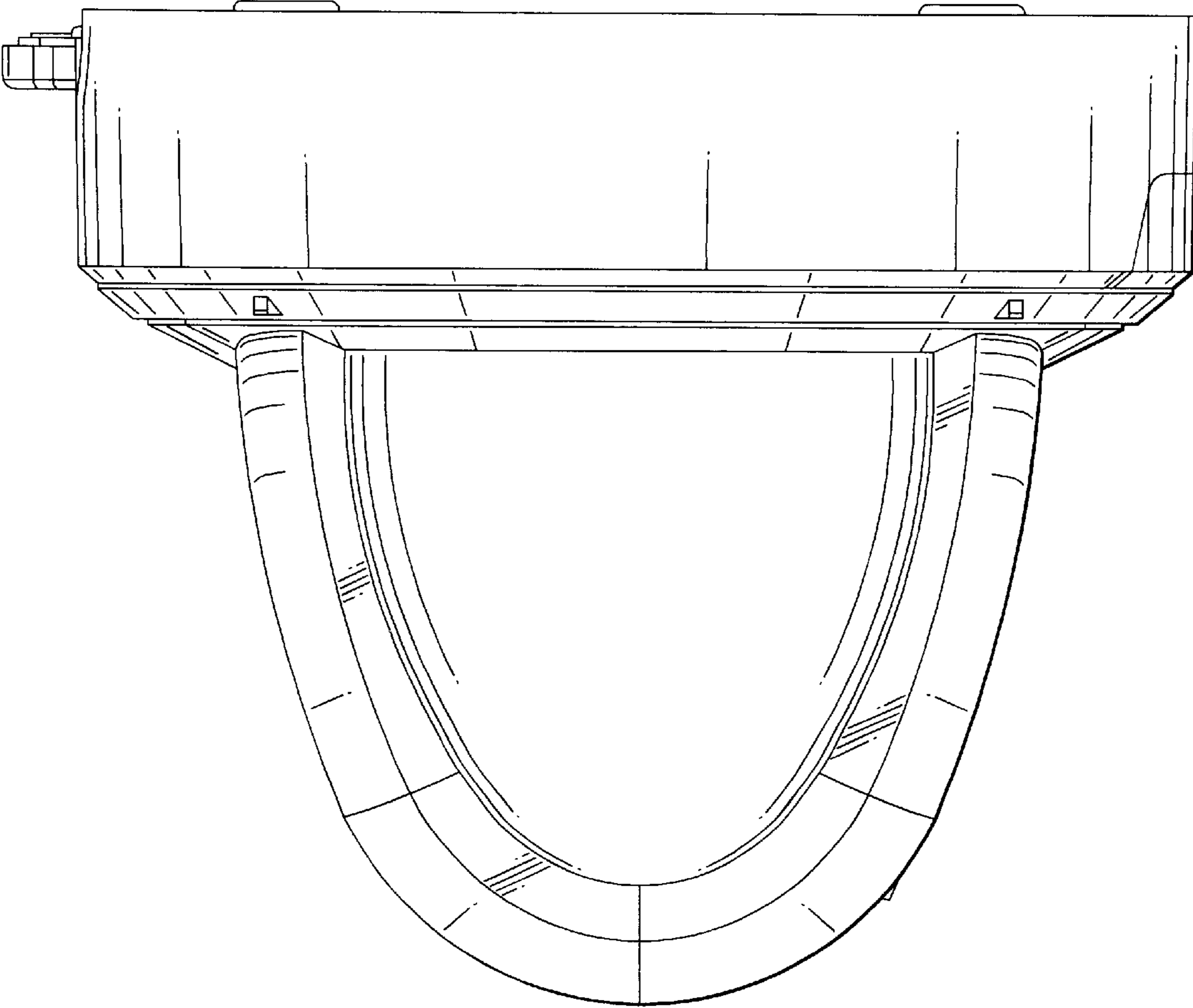
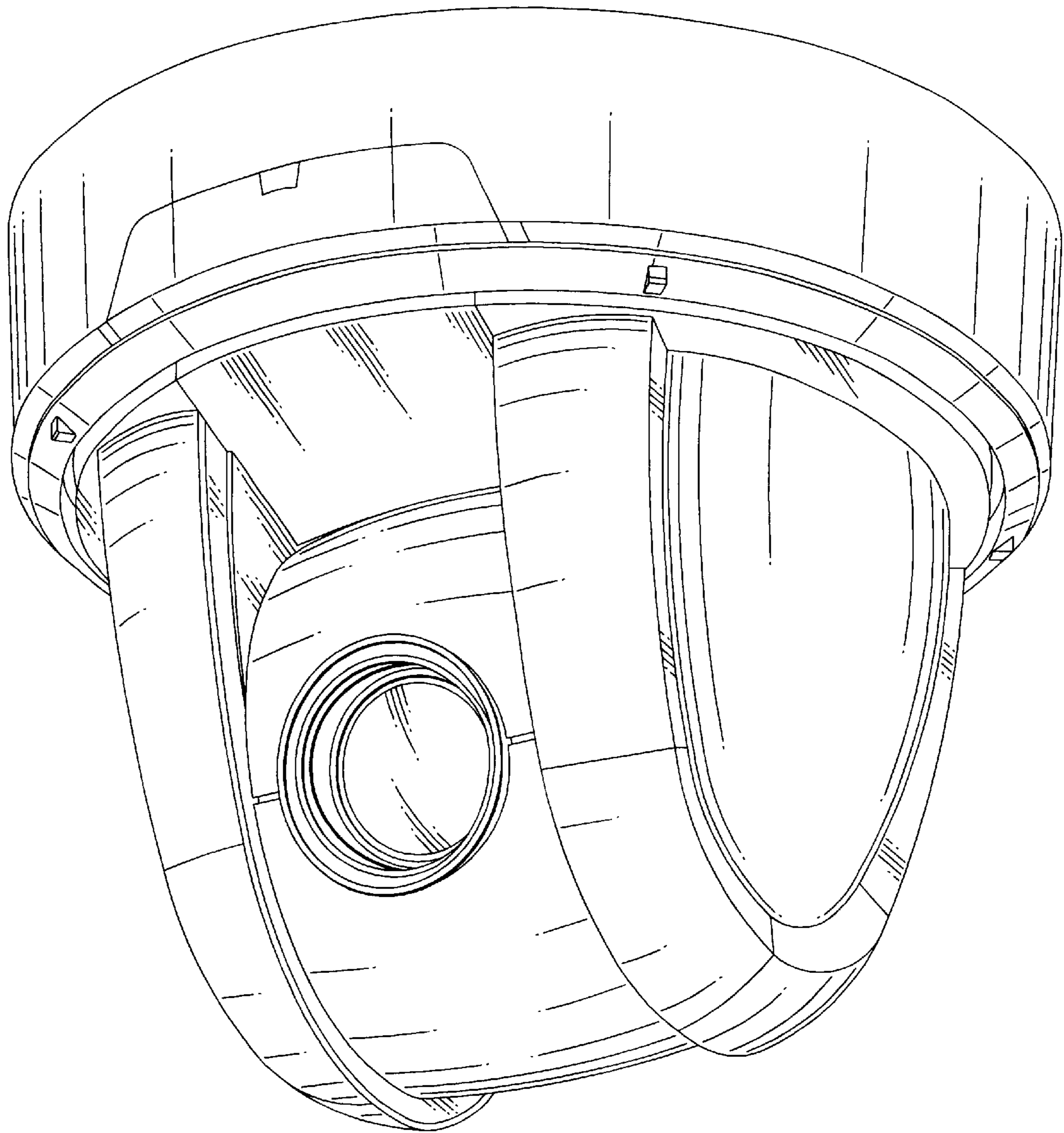


FIG. 6



**FIG. 7**