

US00D543565S

(12) **United States Design Patent**  
**Kopecki**

(10) **Patent No.:** **US D543,565 S**

(45) **Date of Patent:** **\*\* May 29, 2007**

(54) **AXIAL PISTON MACHINE**

(75) **Inventor:** **Josef Kopecki**, Herrenberg Affstatt (DE)

(73) **Assignee:** **Brueninghaus Hydromatik GmbH**, Elchingen (DE)

(\*\*) **Term:** **14 Years**

(21) **Appl. No.:** **29/232,459**

(22) **Filed:** **Jun. 20, 2005**

(30) **Foreign Application Priority Data**

Dec. 21, 2004 (DE) ..... 4 04 07 266

(51) **LOC (8) Cl.** ..... **15-99**

(52) **U.S. Cl.** ..... **D15/149; D15/5**

(58) **Field of Classification Search** ..... D15/1-5,  
D15/122, 148, 149; 91/476, 499, 505; 92/12.2,  
92/19-21 MR, 71, 129; 417/222.1, 212, 269,  
417/218, 319

See application file for complete search history.

(56) **References Cited**

**U.S. PATENT DOCUMENTS**

- 4,215,624 A \* 8/1980 Tobias ..... 91/499
- 6,077,050 A \* 6/2000 Beck ..... 417/269
- 6,155,798 A \* 12/2000 Deininger et al. .... 417/222.1
- 6,318,238 B1 \* 11/2001 Becker et al. .... 92/72

- 6,405,634 B1 \* 6/2002 Hansen ..... 92/71
- 6,443,706 B1 \* 9/2002 Deininger et al. .... 417/222.1
- 6,595,886 B1 \* 7/2003 Forster ..... 475/83
- 6,662,707 B1 \* 12/2003 Stolzer ..... 92/71
- 6,663,354 B2 \* 12/2003 Forster ..... 417/222.1
- 6,701,824 B2 \* 3/2004 Forster ..... 92/12.2
- D501,860 S \* 2/2005 Wanschura et al. .... D15/149
- D502,717 S \* 3/2005 Wanschura et al. .... D15/149

\* cited by examiner

*Primary Examiner*—Stella Reid

*Assistant Examiner*—Maurice Stevens

(74) *Attorney, Agent, or Firm*—Scully, Scott, Murphy & Presser, P.C.

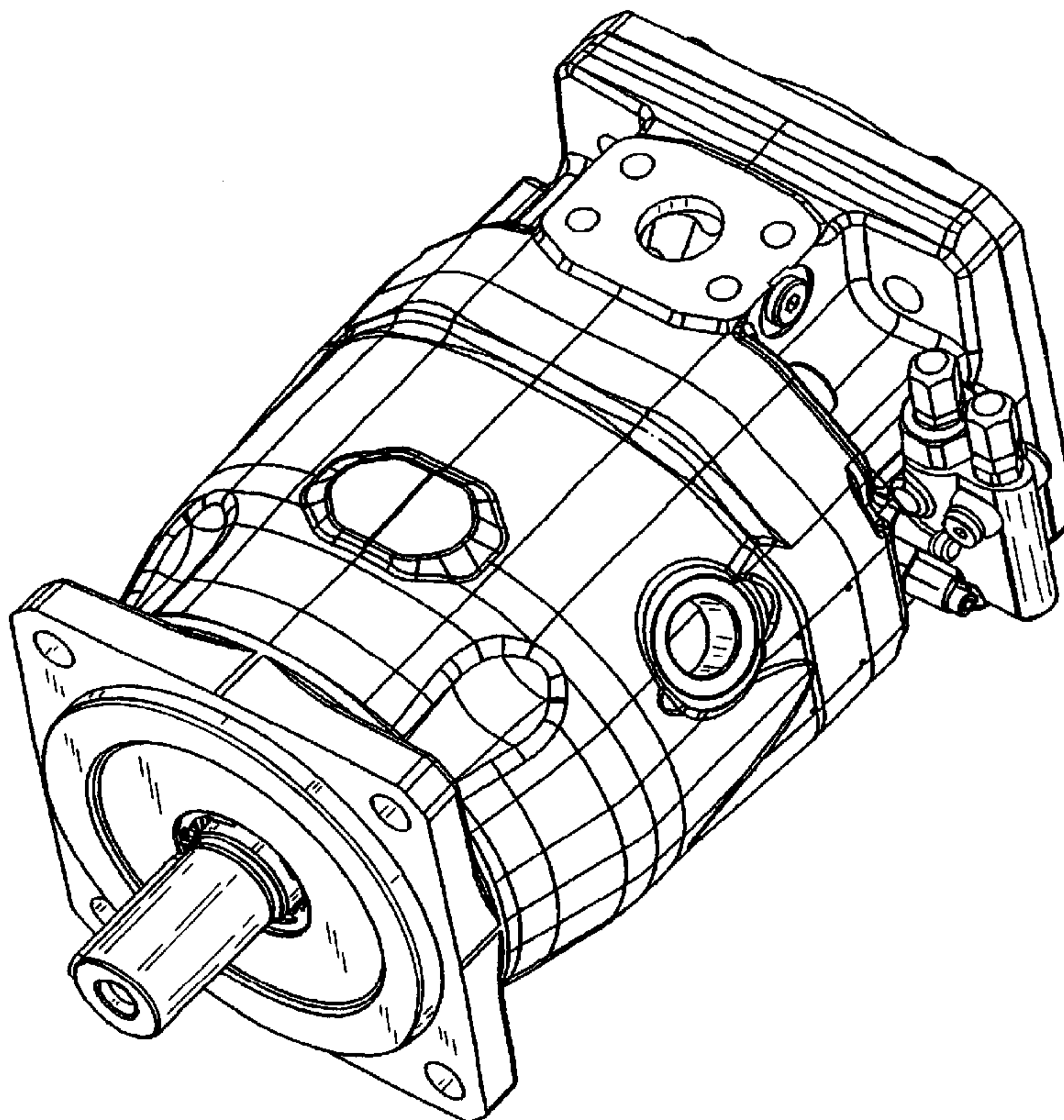
(57) **CLAIM**

The ornamental design for an axial piston machine, as shown and described.

**DESCRIPTION**

FIG. 1 illustrates a perspective view of the axial piston machine, showing my new and ornamental design;  
 FIG. 2 illustrates a side view thereof;  
 FIG. 3 illustrates a side view thereof;  
 FIG. 4 illustrates a side view thereof, opposite to FIG. 2;  
 FIG. 5 illustrates a side view thereof, opposite to FIG. 3;  
 FIG. 6 illustrates a top plan view thereof; and,  
 FIG. 7 illustrates a bottom plan view thereof.

**1 Claim, 6 Drawing Sheets**



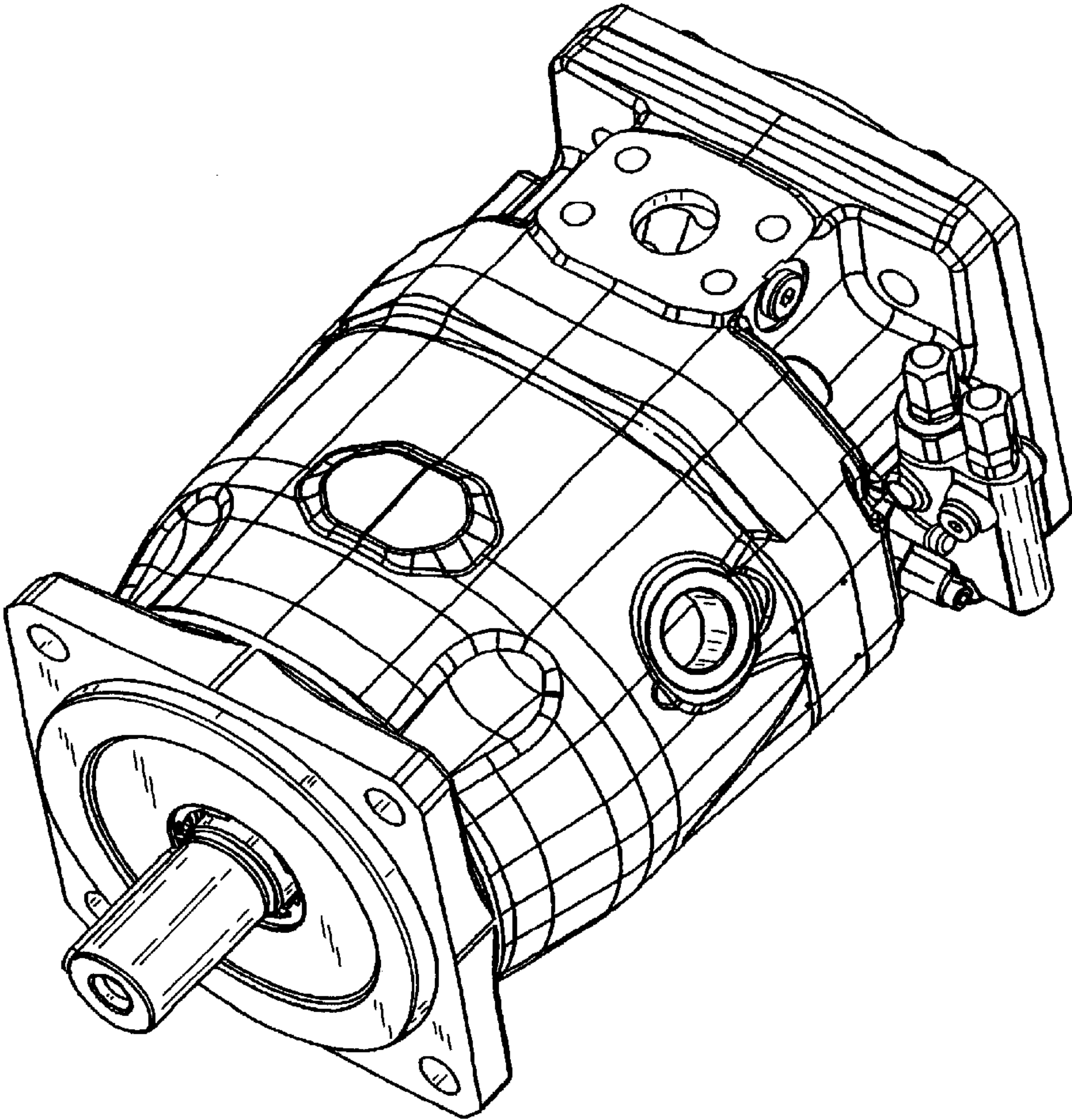


FIG. 1

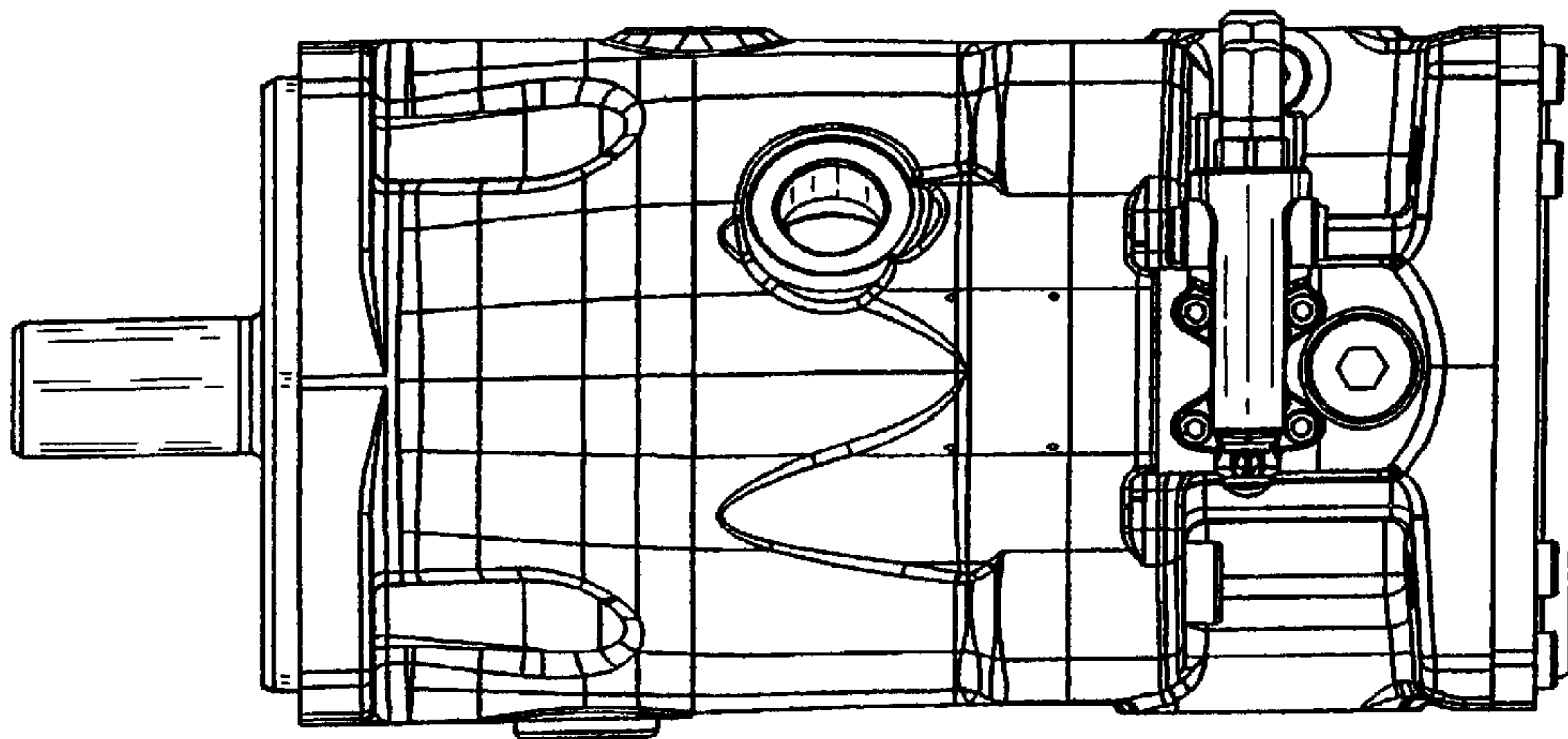


FIG. 2

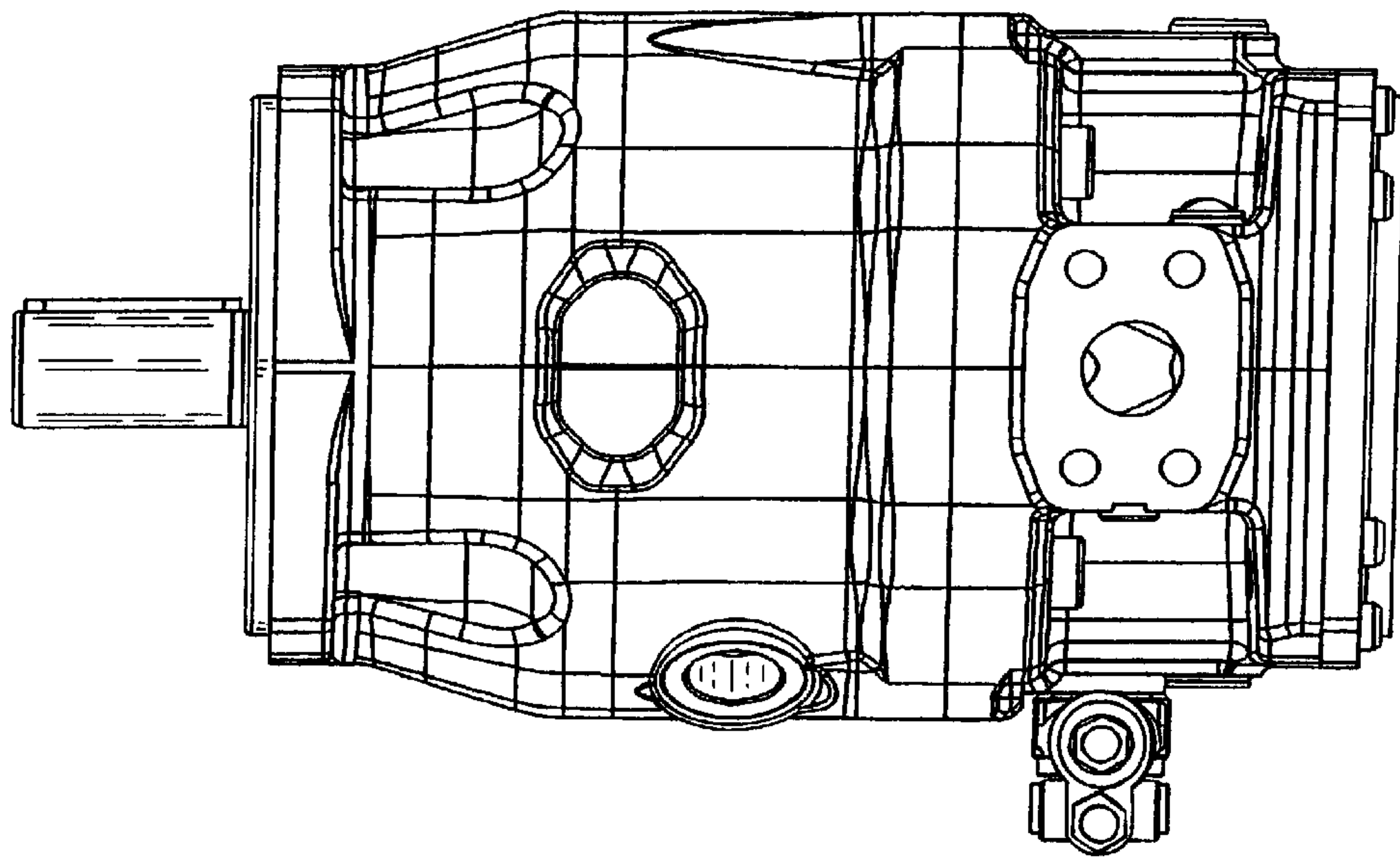


FIG. 3



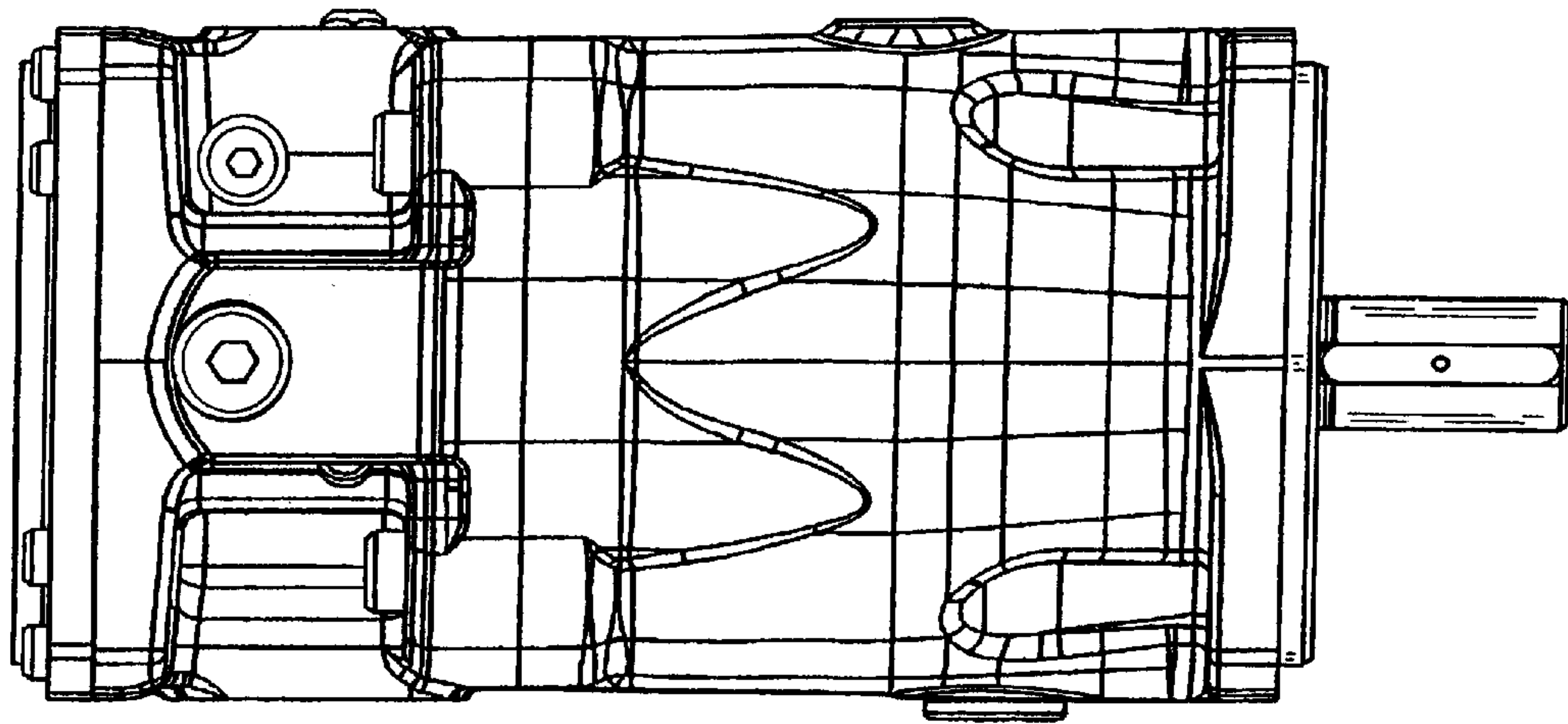


FIG. 4

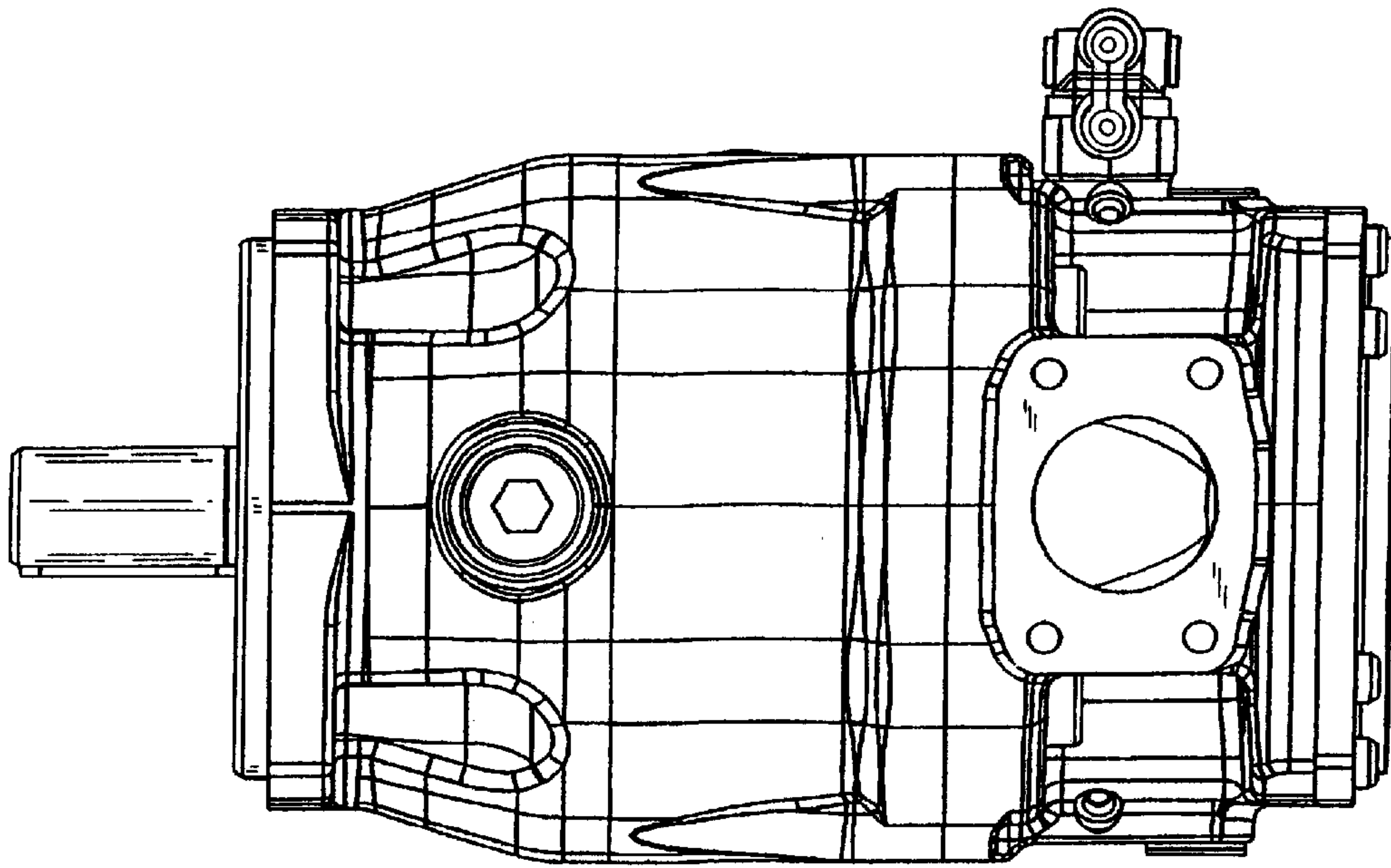


FIG. 5

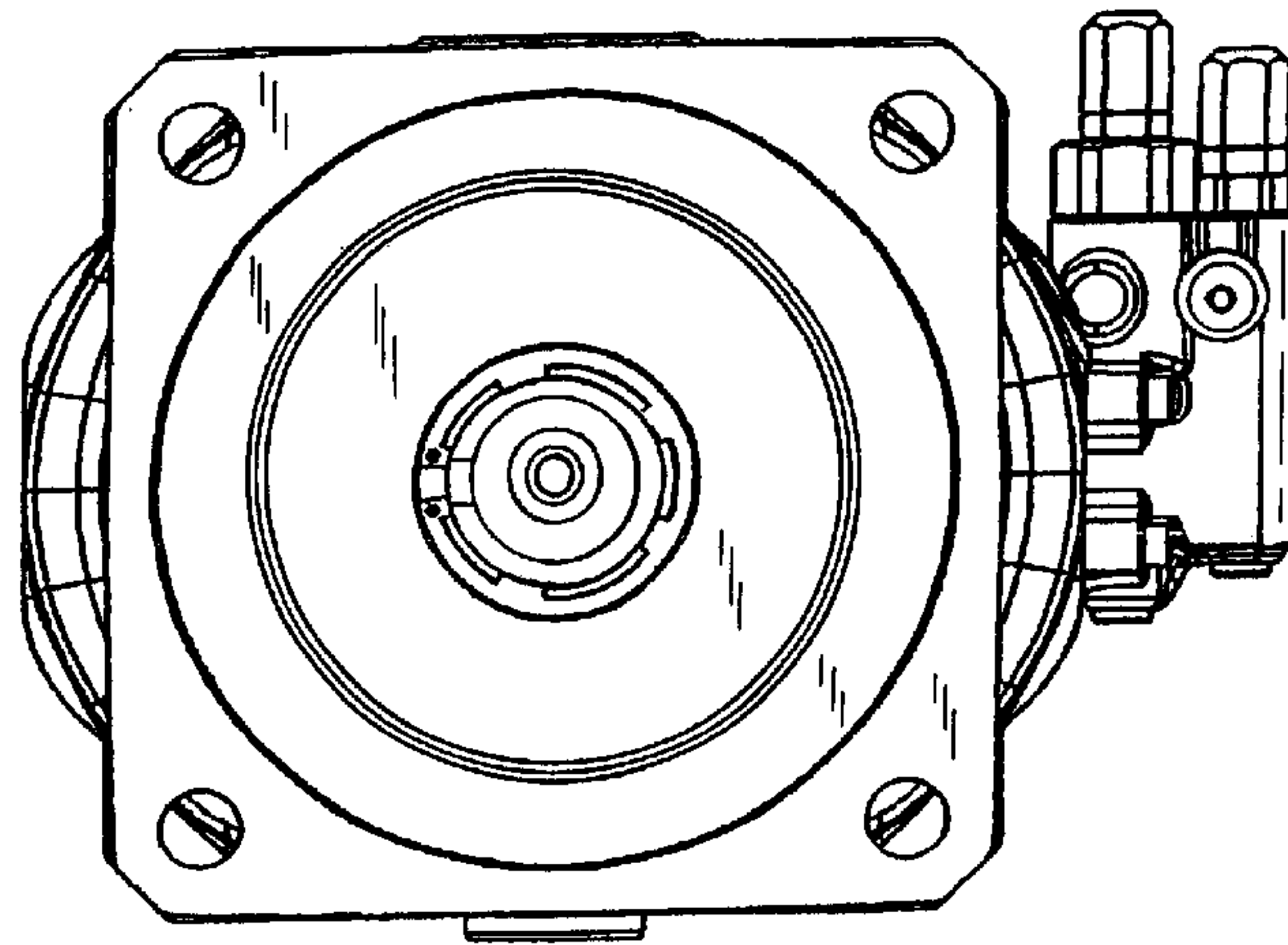


FIG. 6

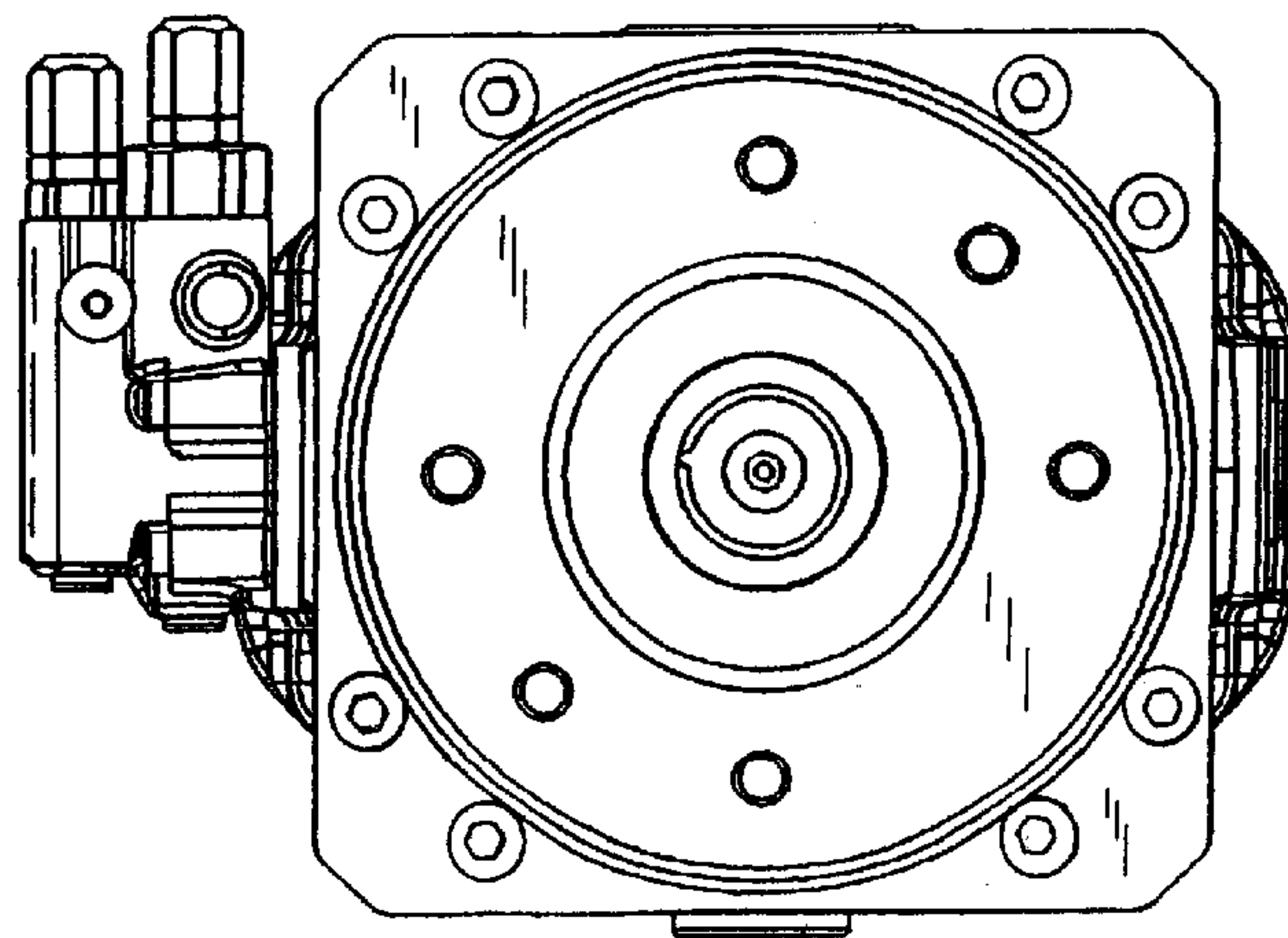


FIG. 7