

US00D543564S

(12) **United States Design Patent**
Riney

(10) **Patent No.:** **US D543,564 S**

(45) **Date of Patent:** **** May 29, 2007**

(54) **HYDRAULIC SEAL WITH A PIVOTING ARM**

FOREIGN PATENT DOCUMENTS

(75) Inventor: **John M. Riney**, Buford, GA (US)

DE G 87 09 044.9 6/1987
DE G 94 05 600.5 4/1994

(73) Assignee: **Nordson Corporation**, Westlake, OH (US)

OTHER PUBLICATIONS

(**) Term: **14 Years**

VanSco Products, *35 31 Series Miniature Applicators*, Brochure, undated, 14 pgs.

(21) Appl. No.: **29/233,175**

Burkert, *3 way Pivoted Armature Valves*, undated, 1 pg.

(22) Filed: **Jun. 29, 2005**

* cited by examiner

(51) **LOC (8) Cl.** **15-09**

Primary Examiner—Antoine D. Davis

(52) **U.S. Cl.** **D15/144.2**

Assistant Examiner—Patricia Palasik

(58) **Field of Classification Search** D15/144,
D15/144.1, 144.2; 118/300; 222/48, 223,
222/247, 334, 337, 350, 364, 501, 502, 517,
222/532, 556

(74) *Attorney, Agent, or Firm*—Raymond J. Slattery, III

See application file for complete search history.

(57) **CLAIM**

I claim the ornamental design for a hydraulic seal with a pivoting arm, as shown and described.

(56) **References Cited**

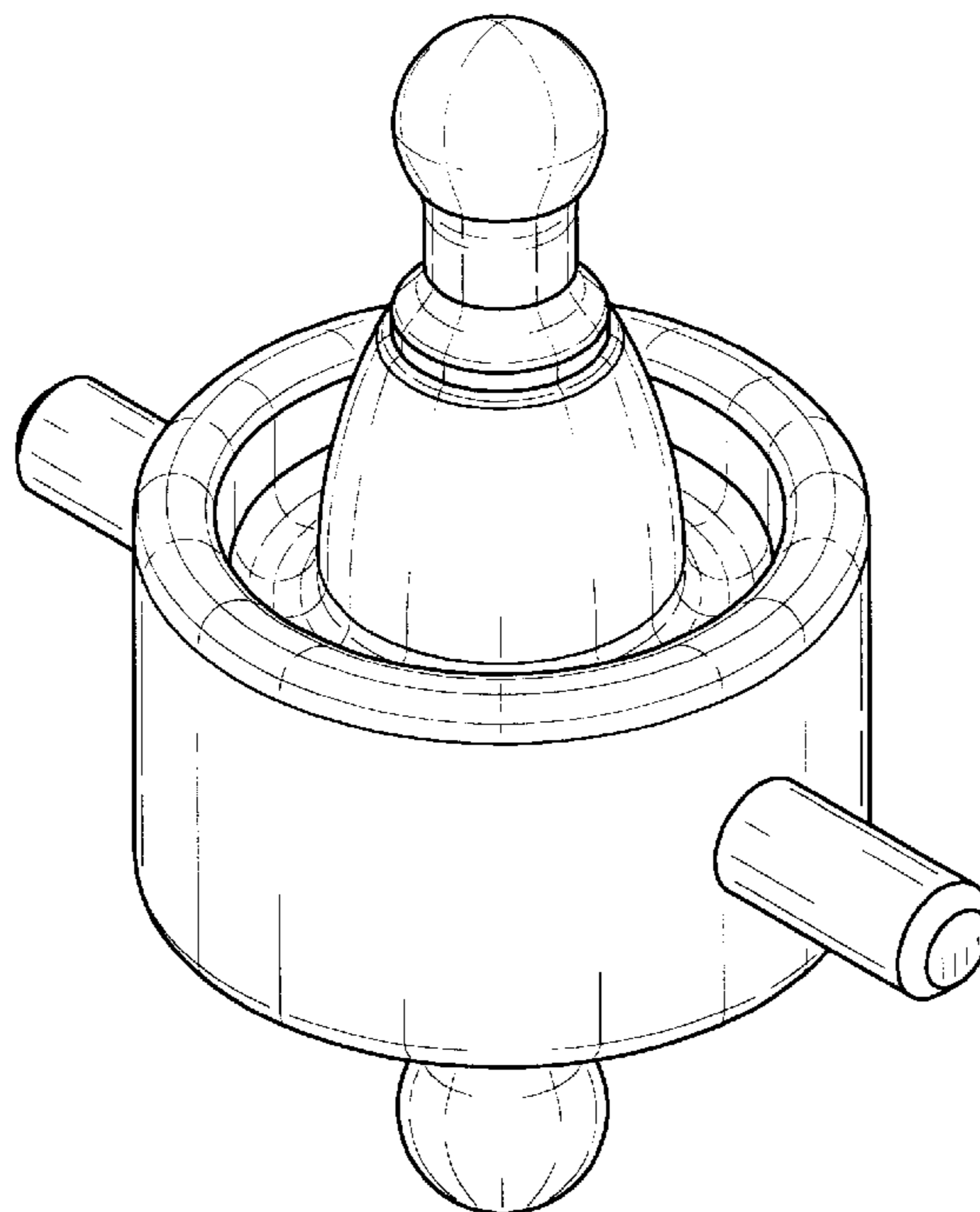
DESCRIPTION

U.S. PATENT DOCUMENTS

D354,296 S	*	1/1995	Walsh	D15/144.2
5,730,359 A		3/1998	Wurth	239/66
6,032,832 A		3/2000	Dority et al.	222/214
D433,692 S	*	11/2000	Fort et al.	D15/144.1
D473,883 S	*	4/2003	Huey et al.	D15/144.2
D474,788 S	*	5/2003	Molnar et al.	D15/144
2006/0213434 A1	*	9/2006	Ganzer et al.	118/300

FIG. 1 is a perspective view of a hydraulic seal;
FIG. 2 is a bottom perspective view as oriented in FIG. 1;
FIG. 3 is a top plan view as oriented in FIG. 1;
FIG. 4 is a bottom plan view as oriented in FIG. 1;
FIG. 5 is a front elevational view as oriented in FIG. 1,
wherein the back elevational view is the same; and,
FIG. 6 is a right side view as oriented in FIG. 1, wherein the
left side view is the same.

1 Claim, 2 Drawing Sheets



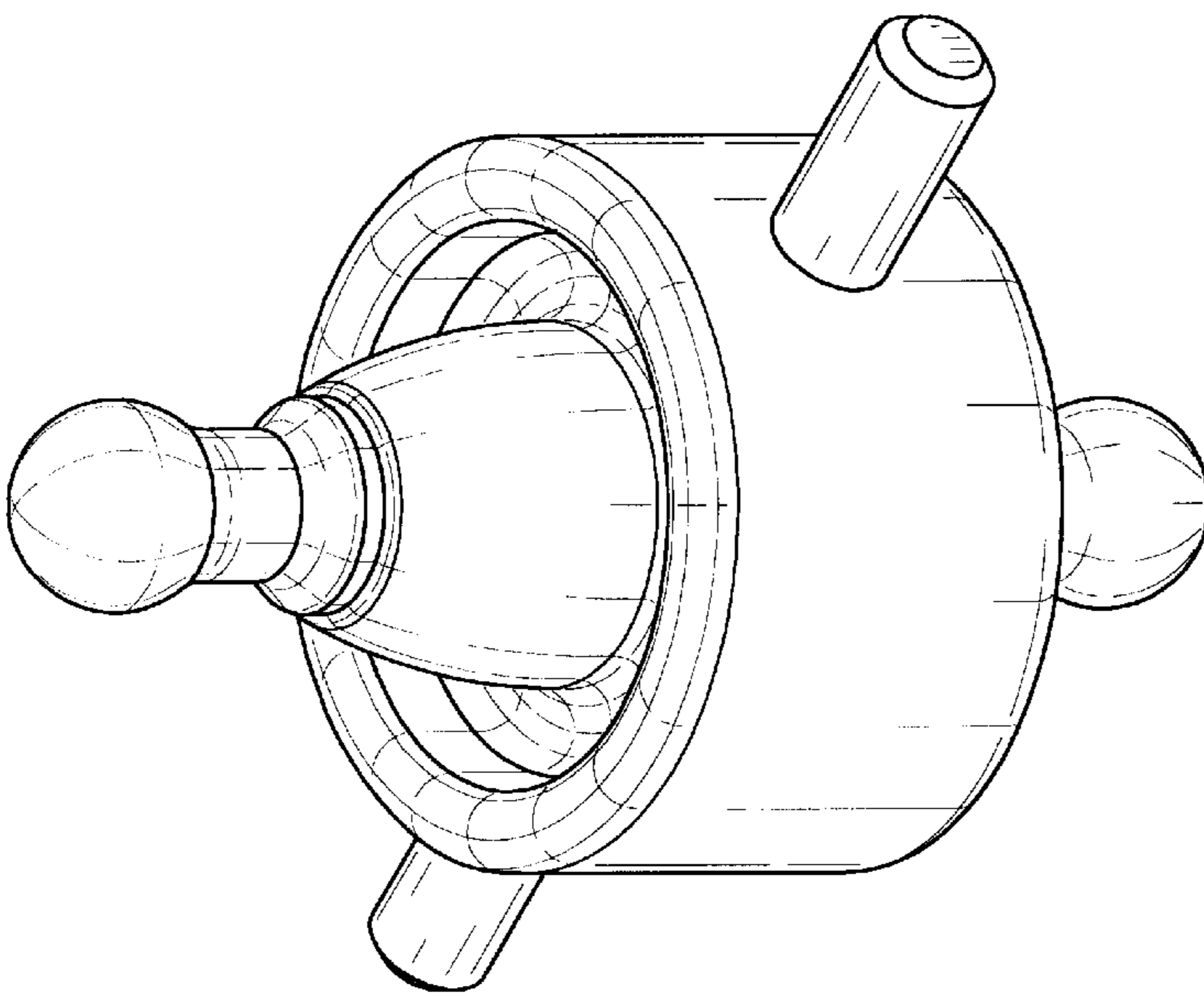


FIG-1

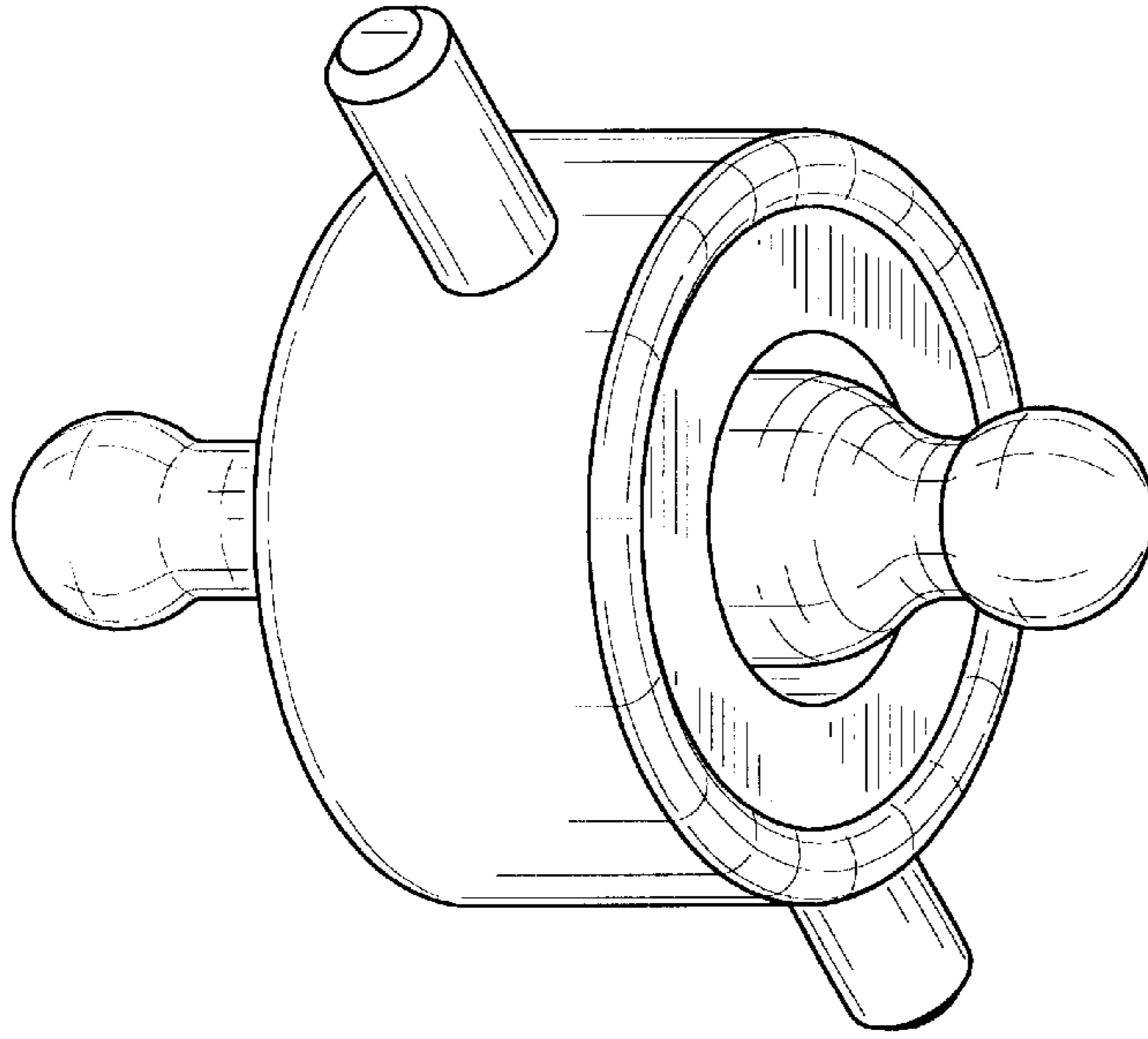


FIG-2

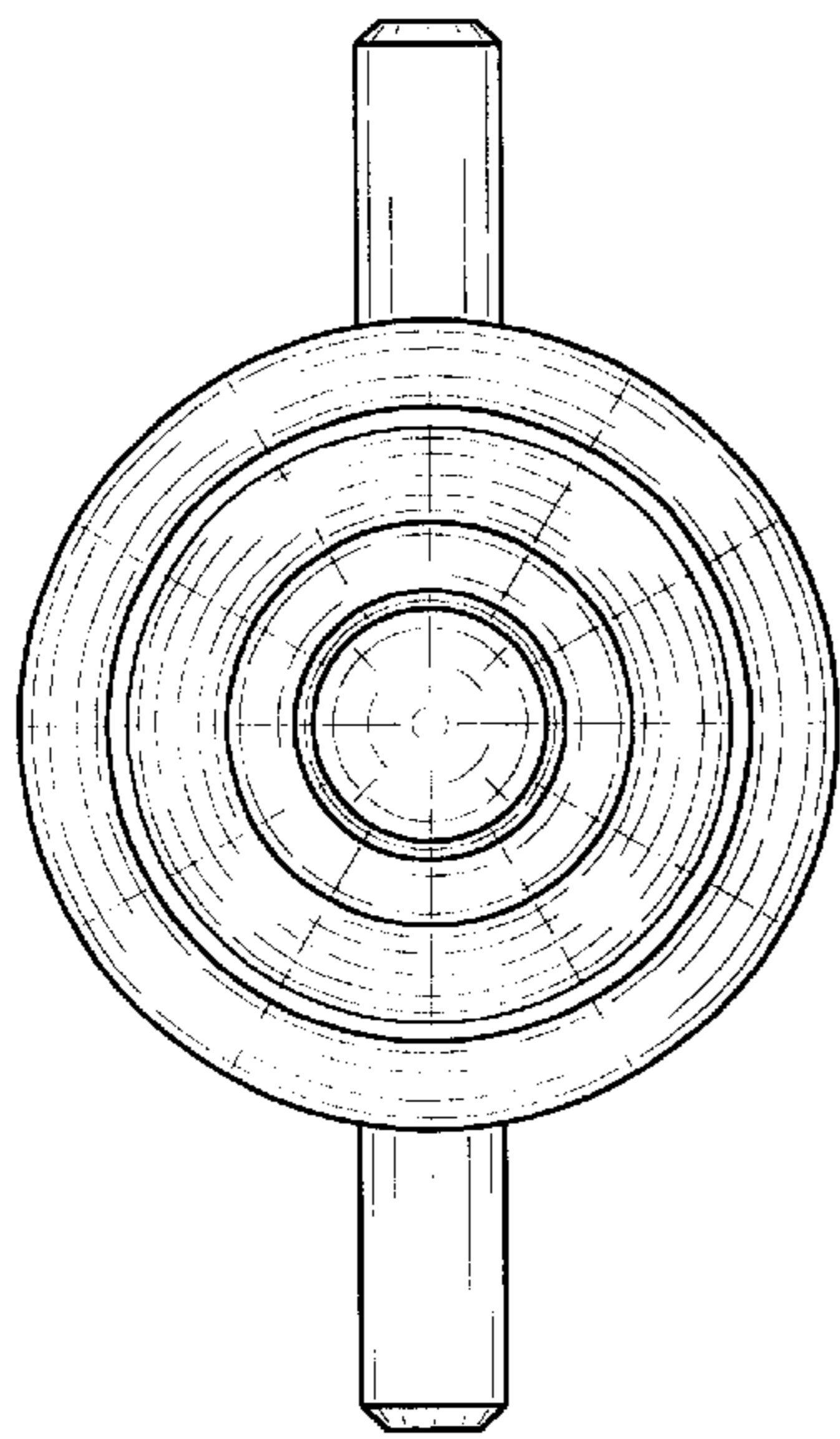


FIG-3

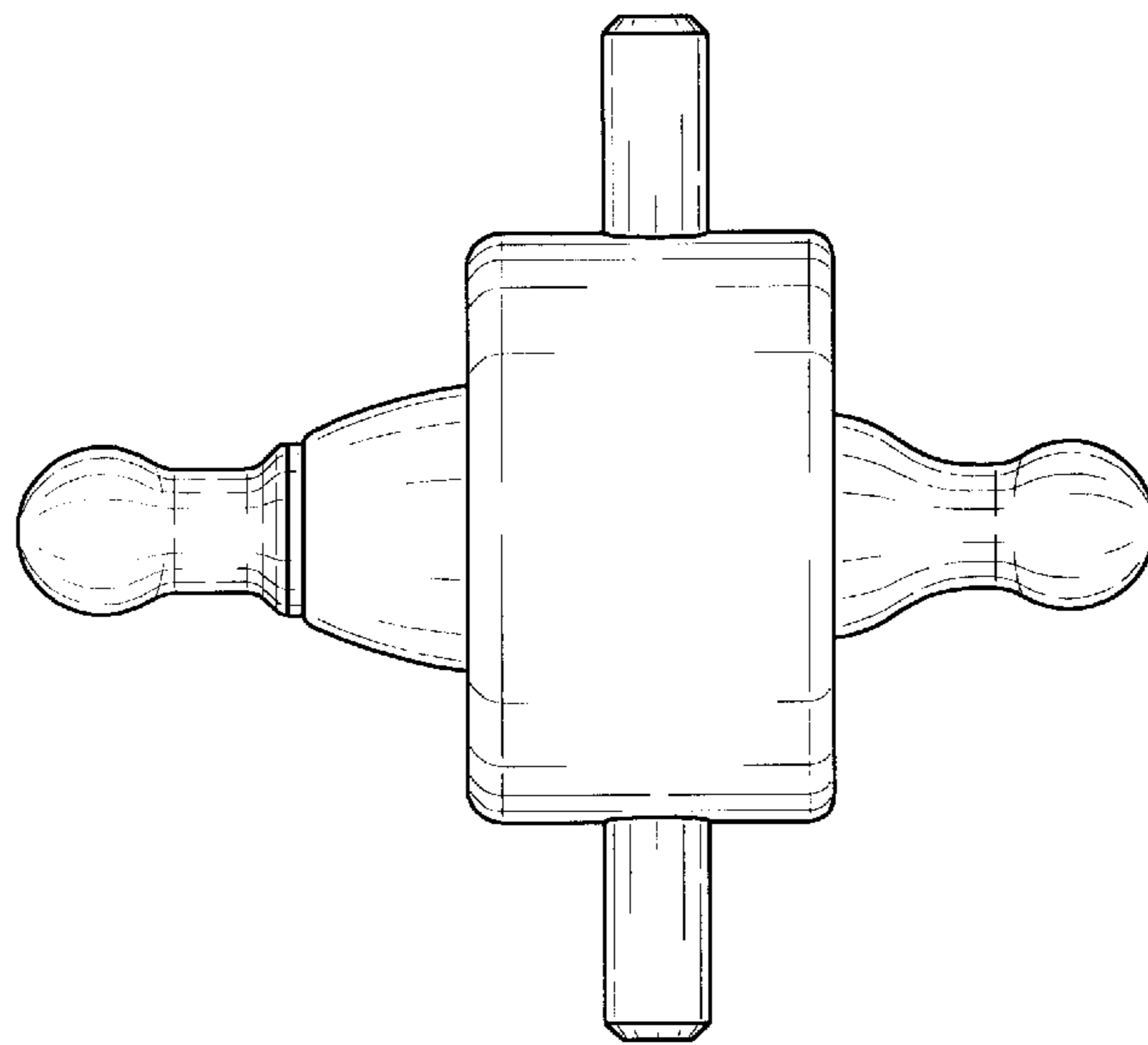


FIG-5

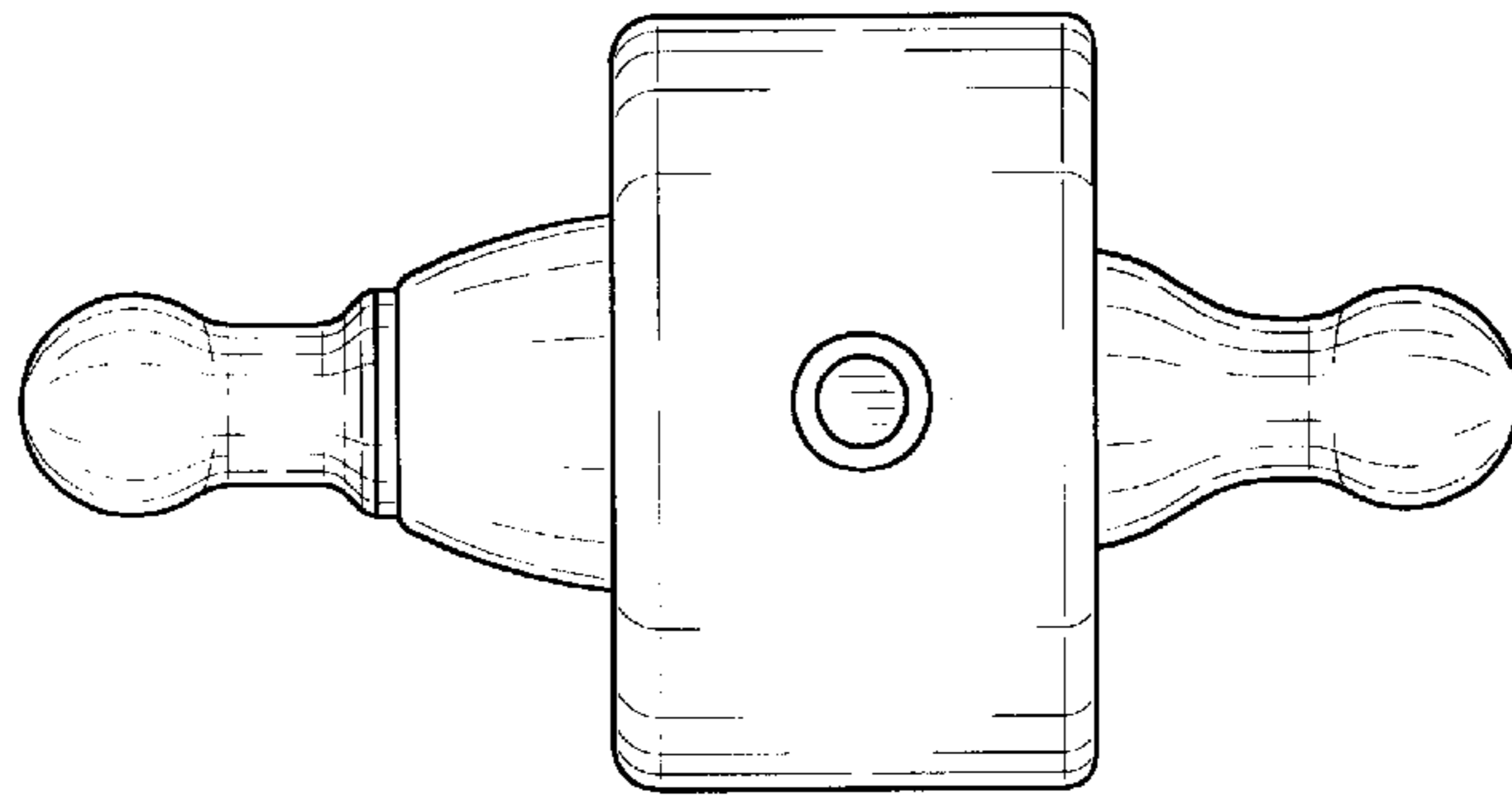


FIG-6

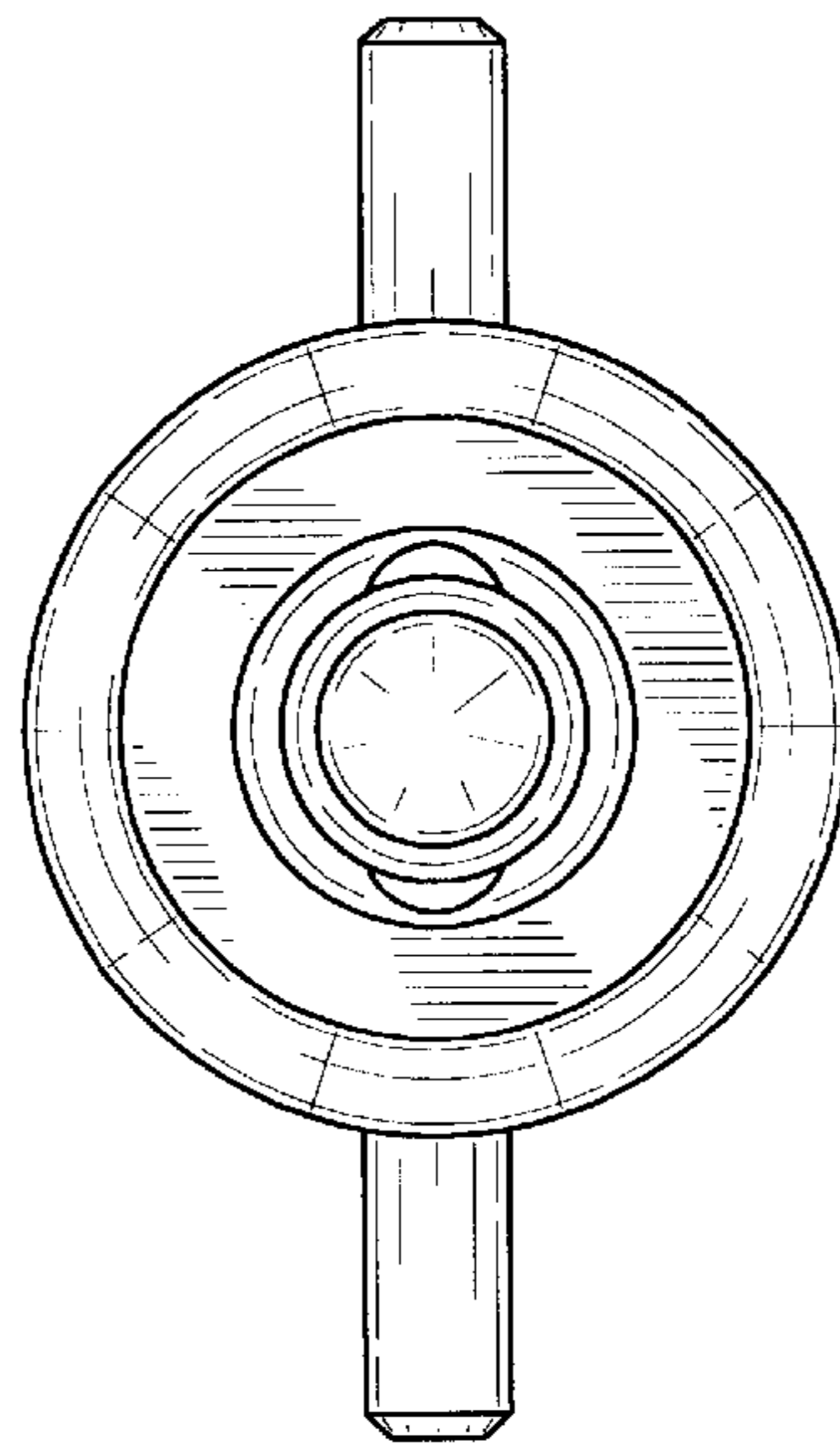


FIG-4