



US00D543563S

(12) **United States Design Patent**  
**Skradski et al.**

(10) **Patent No.:** **US D543,563 S**

(45) **Date of Patent:** **\*\* May 29, 2007**

(54) **DEBRIS SHIELD**

6,193,448 B1 \* 2/2001 Brennan ..... 408/67  
6,457,915 B1 10/2002 Kao

(76) Inventors: **Thomas J. Skradski**, 1001 Sunnyhills Rd., Oakland, CA (US) 94610; **Gary L. Cross**, 253 Molimo Dr., San Francisco, CA (US) 94127

\* cited by examiner

*Primary Examiner*—Antoine D. Davis

*Assistant Examiner*—Patricia Palasik

(74) *Attorney, Agent, or Firm*—Donald L. Beeson; Beeson Skinner Beverly, LLP

(\*\*) Term: **14 Years**

(21) Appl. No.: **29/242,498**

(57) **CLAIM**

(22) Filed: **Nov. 10, 2005**

The ornamental design for a debris shield, as shown and described.

(51) **LOC (8) Cl.** ..... **15-09**

(52) **U.S. Cl.** ..... **D15/138**

(58) **Field of Classification Search** ..... D15/126,  
D15/132, 138; 51/270; 144/252; 145/116;  
173/75; 175/209, 211; 408/58, 67, 72, 204,  
408/206, 207, 209, 241 G

See application file for complete search history.

**DESCRIPTION**

FIG. 1 is a top perspective view of a debris shield showing our new design;

FIG. 2 is a bottom perspective view thereof, with the debris shield rotated 90 degrees;

FIG. 3 is a front elevational view thereof;

FIG. 4 is a left side elevational view thereof, the right side being a mirror image;

FIG. 5 is a rear elevational view thereof;

FIG. 6 is a top plan view thereof; and,

FIG. 7 is a bottom plan view thereof.

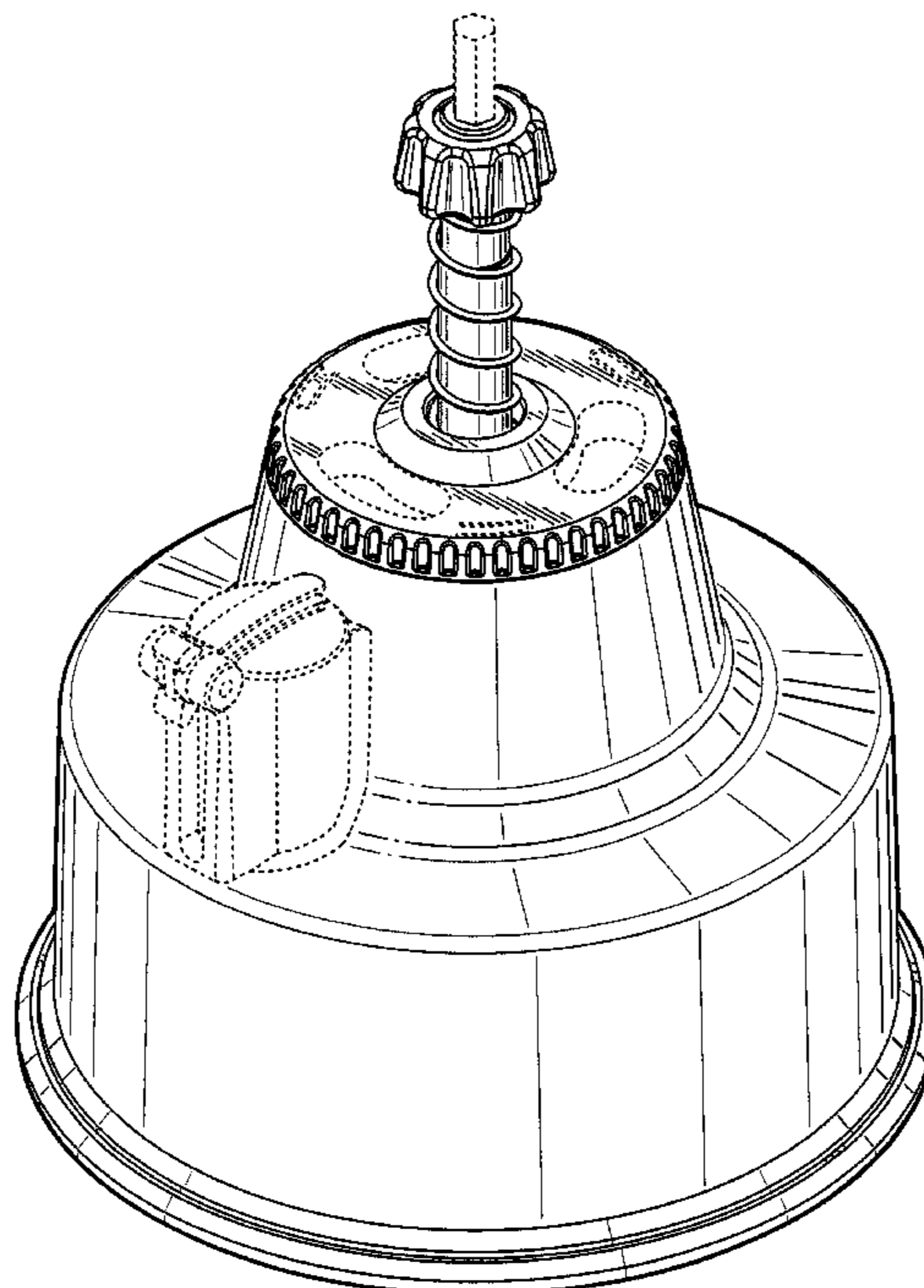
The broken lines shown in FIGS. 1–7 are for illustrative purposes only and indicate the nature and use of our new design; they form no part of our claimed design. The broken line circle immediately adjacent the shaded areas in FIGS. 2 and 7 represent the bounds of the claimed design; the broken line circle and the area within the circle form no part of our design.

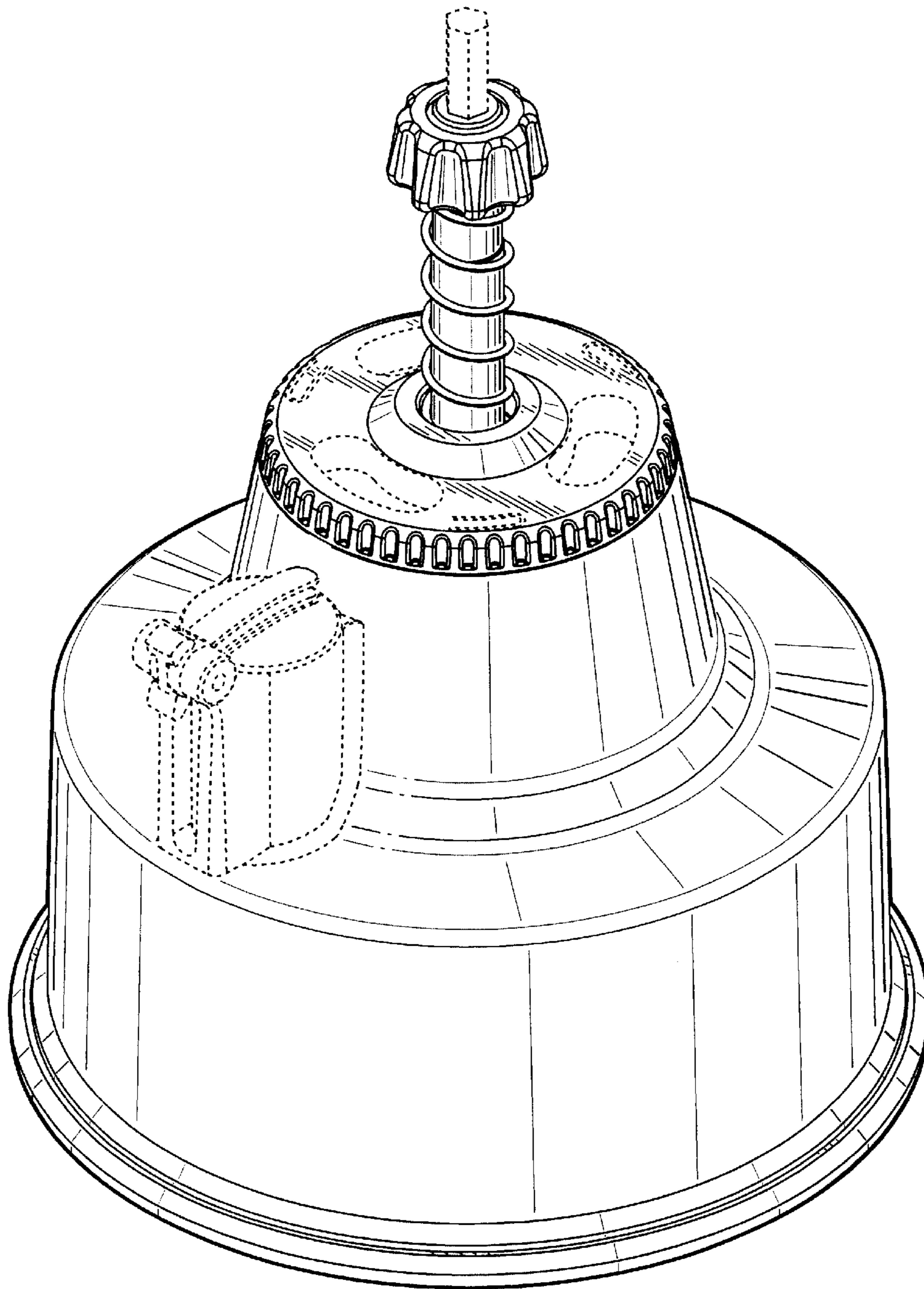
(56) **References Cited**

U.S. PATENT DOCUMENTS

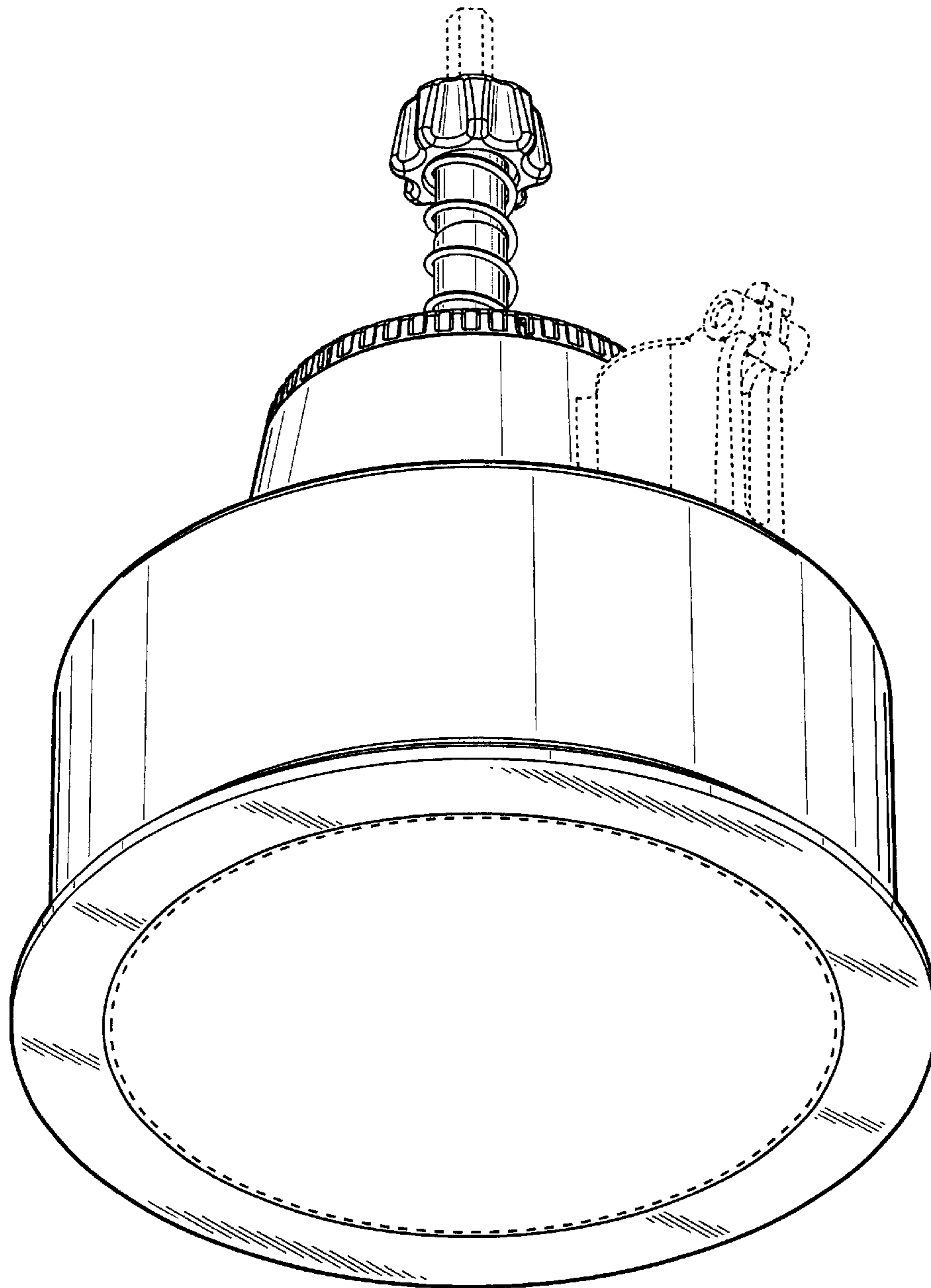
2,702,181	A	*	2/1955	Brown et al.	.....	175/209
2,792,199	A	*	5/1957	Becker et al.	.....	175/211
3,339,435	A	*	9/1967	Heitz	.....	408/67
3,536,149	A	*	10/1970	Laird	.....	175/209
3,583,821	A		6/1971	Shaub et al.		
3,936,213	A		2/1976	Kappel		
4,921,375	A		5/1990	Famulari		
5,160,230	A	*	11/1992	Cuevas	.....	408/67
5,292,210	A	*	3/1994	Nowick	.....	408/67
5,653,561	A		8/1997	May		
6,164,881	A	*	12/2000	Shono	.....	408/67

**1 Claim, 7 Drawing Sheets**

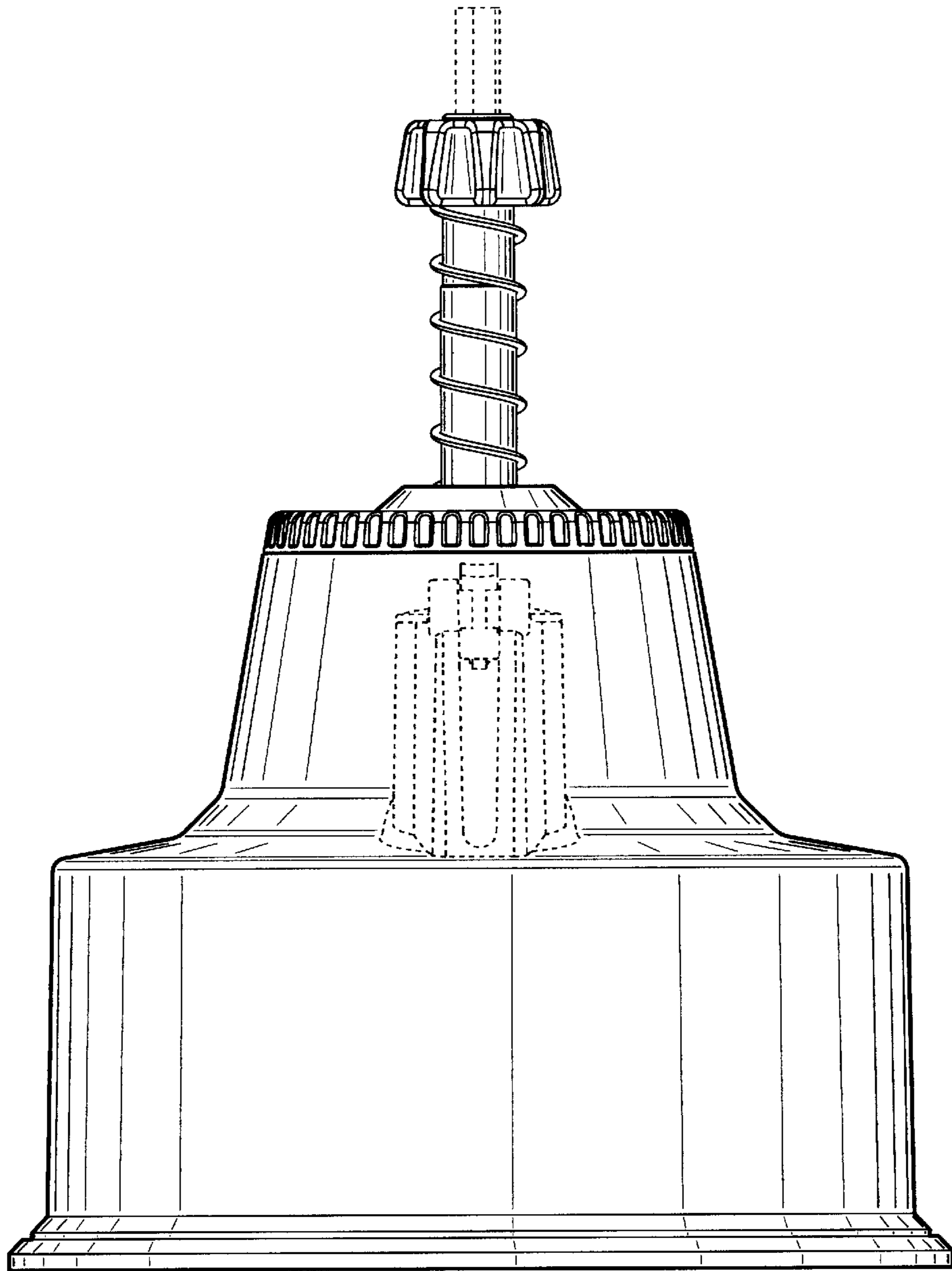




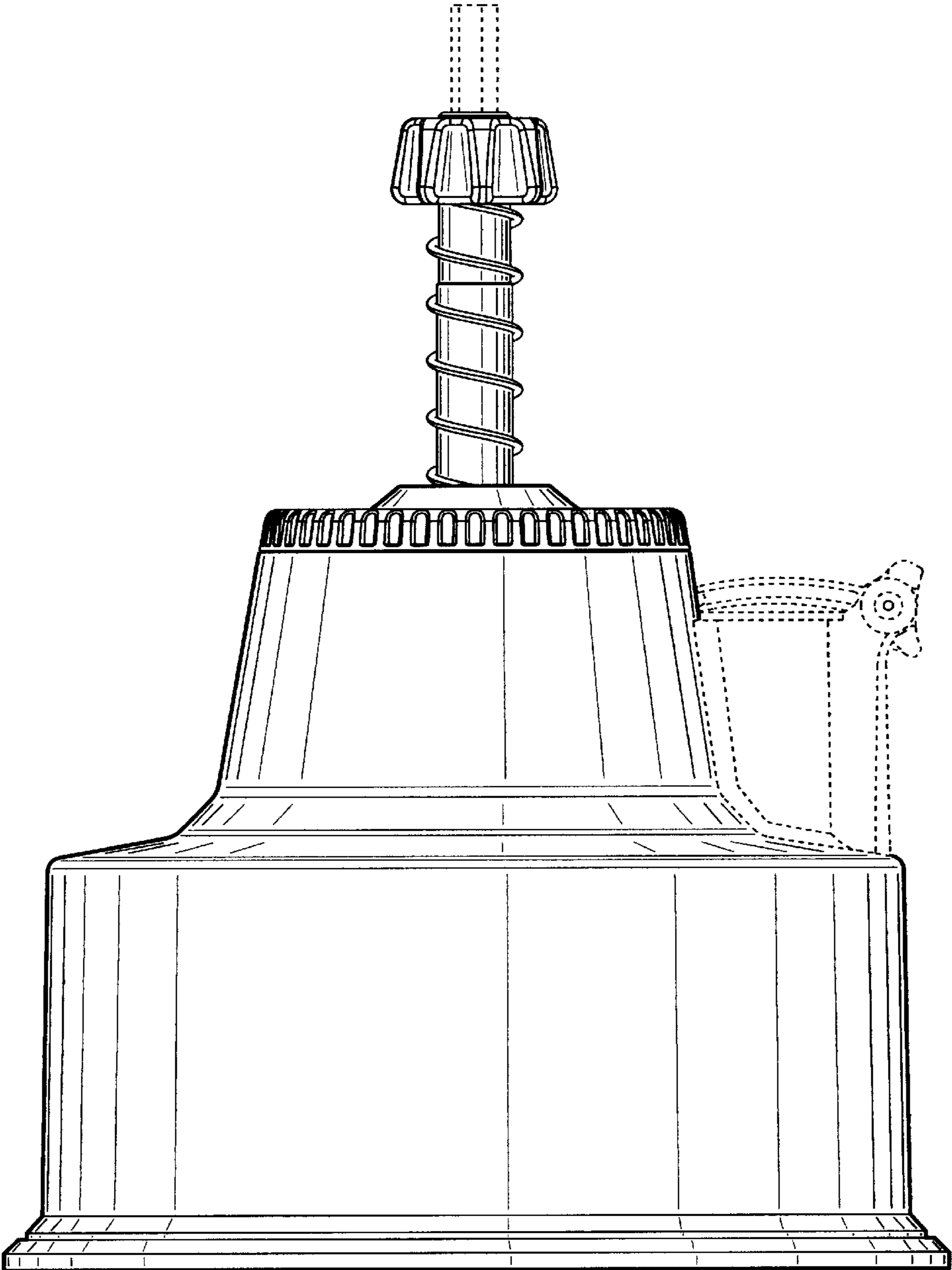
**FIG. 1**



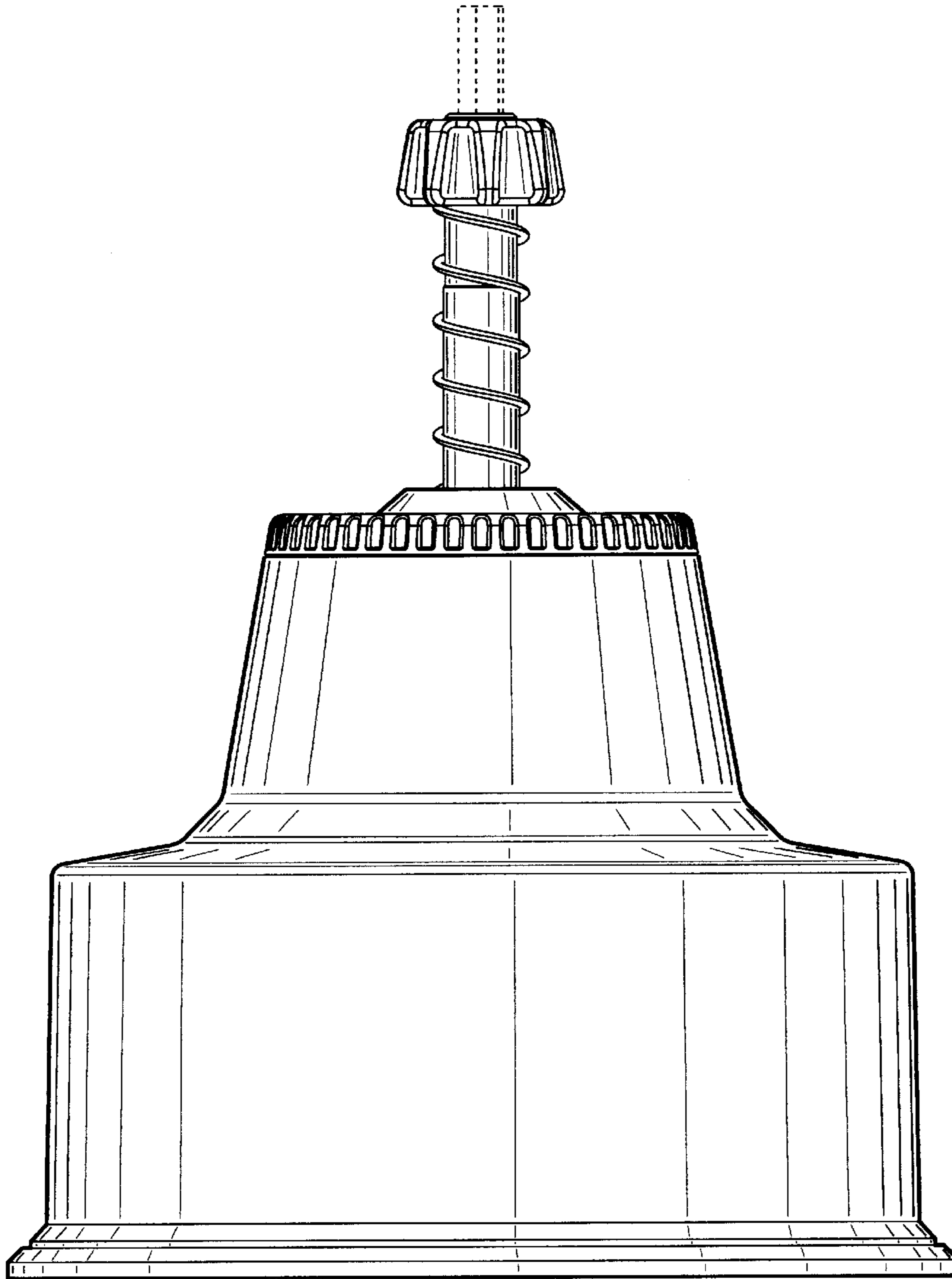
**FIG. 2**



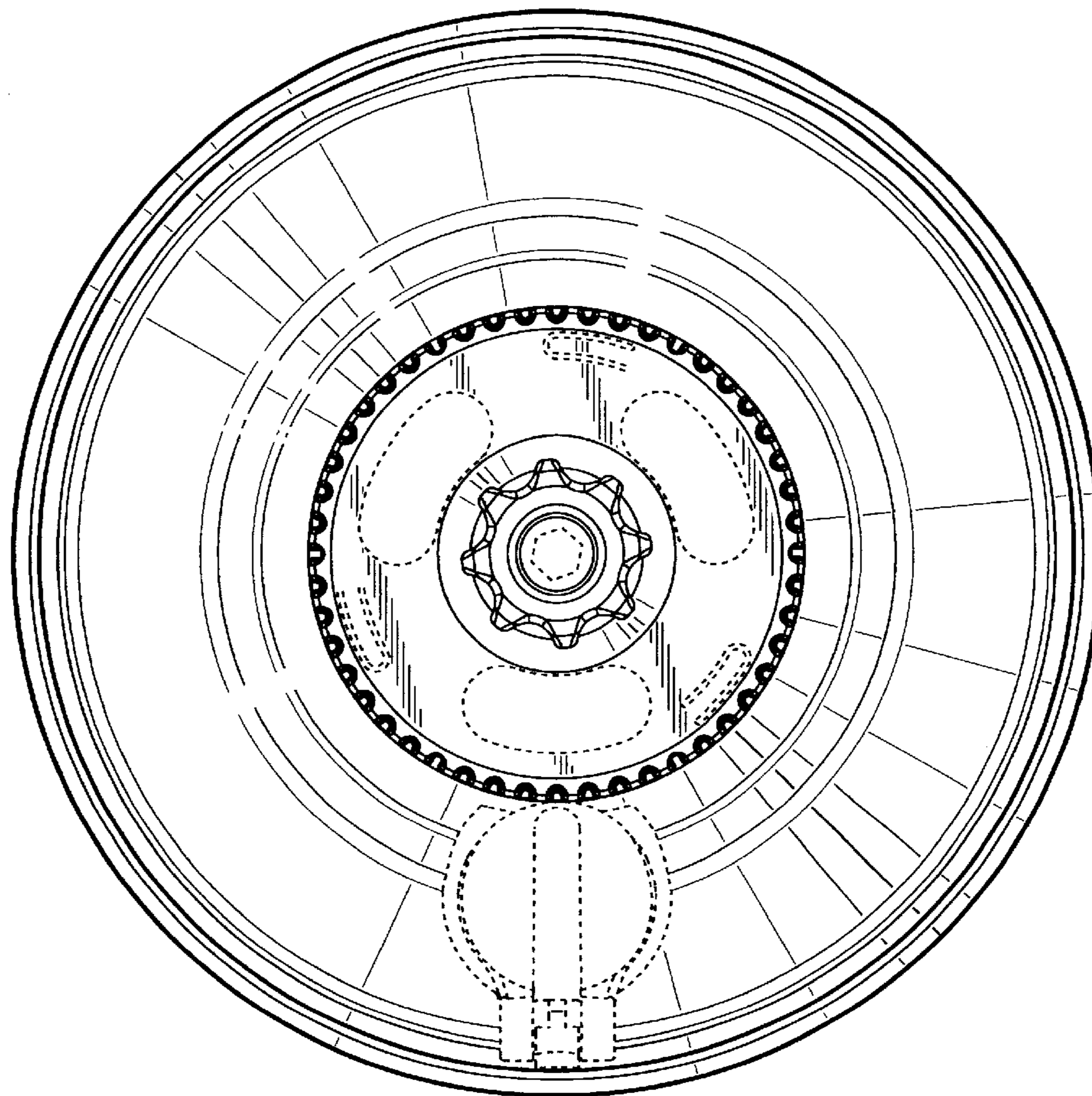
**FIG. 3**



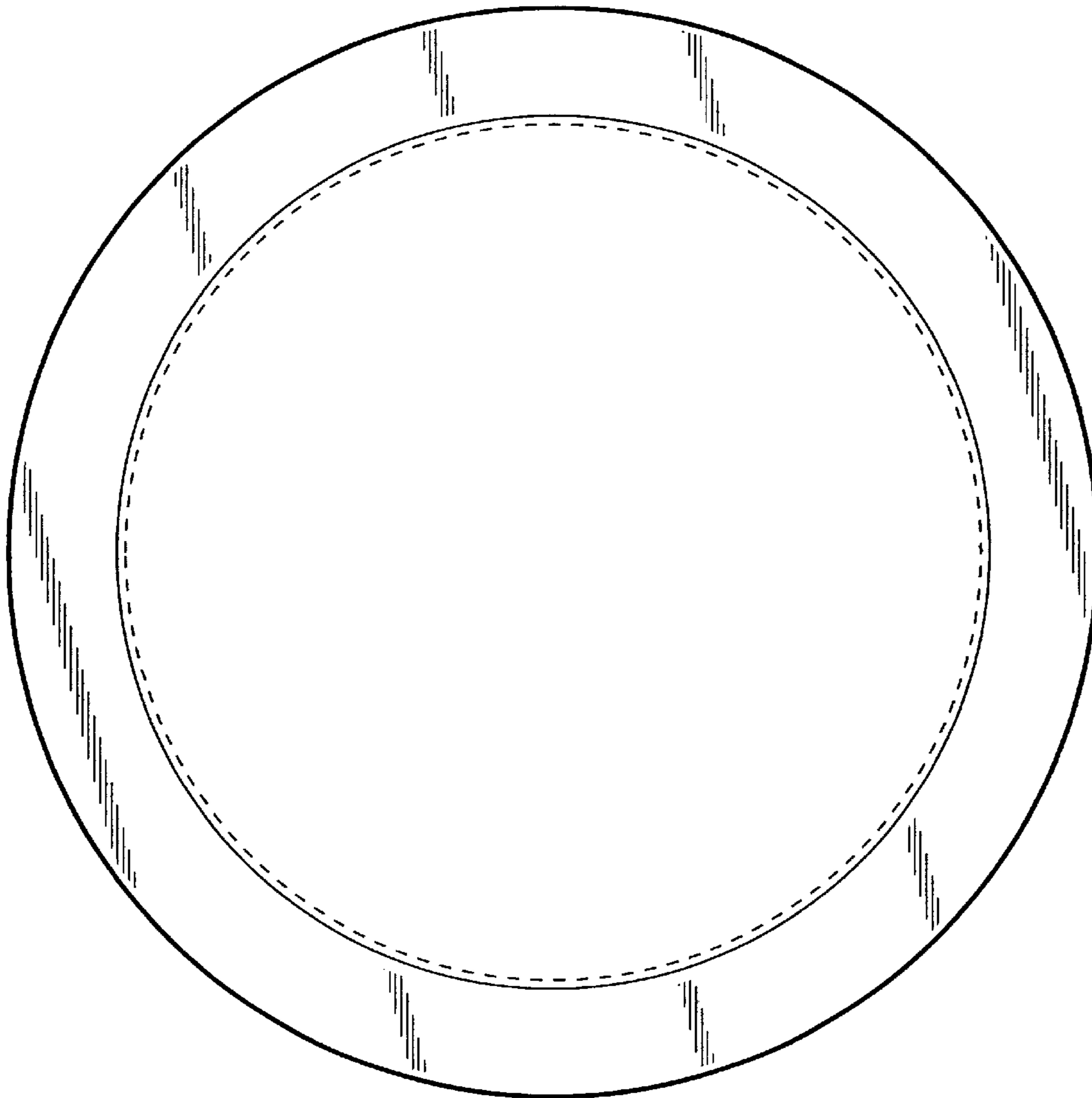
**FIG. 4**



**FIG. 5**



**FIG. 6**



**FIG. 7**