



US00D543557S

(12) **United States Design Patent**  
**Kumagai et al.**

(10) **Patent No.:** **US D543,557 S**

(45) **Date of Patent:** **\*\* May 29, 2007**

(54) **BULLDOZER**

(75) Inventors: **Tomoya Kumagai**, Tokyo (JP); **Yuuichi Matsuo**, Komatsu (JP); **Makoto Yomogita**, Osaka (JP); **Mitsutaka Nakamura**, Komatsu (JP)

(73) Assignee: **Komatsu Ltd.**, Tokyo (JP)

(\*\*) Term: **14 Years**

(21) Appl. No.: **29/251,134**

(22) Filed: **Jan. 4, 2006**

(30) **Foreign Application Priority Data**

Dec. 22, 2005 (JP) ..... 2005-037720  
Dec. 22, 2005 (JP) ..... 2005-037721

(51) **LOC (8) Cl.** ..... **12-09**

(52) **U.S. Cl.** ..... **D15/24; D15/25**

(58) **Field of Classification Search** ..... D15/10,  
D15/22-26; D21/537; 180/9.1, 9.21, 9.28,  
180/9.3, 9.5, 89.1, 89.12, 900  
See application file for complete search history.

(56) **References Cited**

**U.S. PATENT DOCUMENTS**

D251,845 S \* 5/1979 Joupperi et al. .... D15/24  
D274,621 S \* 7/1984 Takamatsu et al. .... D15/24

D302,276 S \* 7/1989 Briggs et al. .... D15/24  
D314,388 S \* 2/1991 Brewer et al. .... D15/24  
D375,506 S \* 11/1996 Bastian et al. .... D15/24  
D401,292 S \* 11/1998 Park ..... D21/537  
D499,748 S \* 12/2004 Komatsu et al. .... D15/24  
6,863,461 B2 8/2005 Werner ..... 403/43  
2005/0077062 A1 4/2005 Fukazawa et al. .... 172/776

\* cited by examiner

*Primary Examiner*—Stella Reid  
*Assistant Examiner*—Mark Goodwin

(74) *Attorney, Agent, or Firm*—Synnestvedt & Lechner LLP

(57) **CLAIM**

The ornamental design for a bulldozer, as shown and described.

**DESCRIPTION**

FIG. 1 is a front perspective view of a bulldozer showing our new design;

FIG. 2 is a rear perspective view thereof;

FIG. 3 is a front view thereof;

FIG. 4 is a rear view thereof;

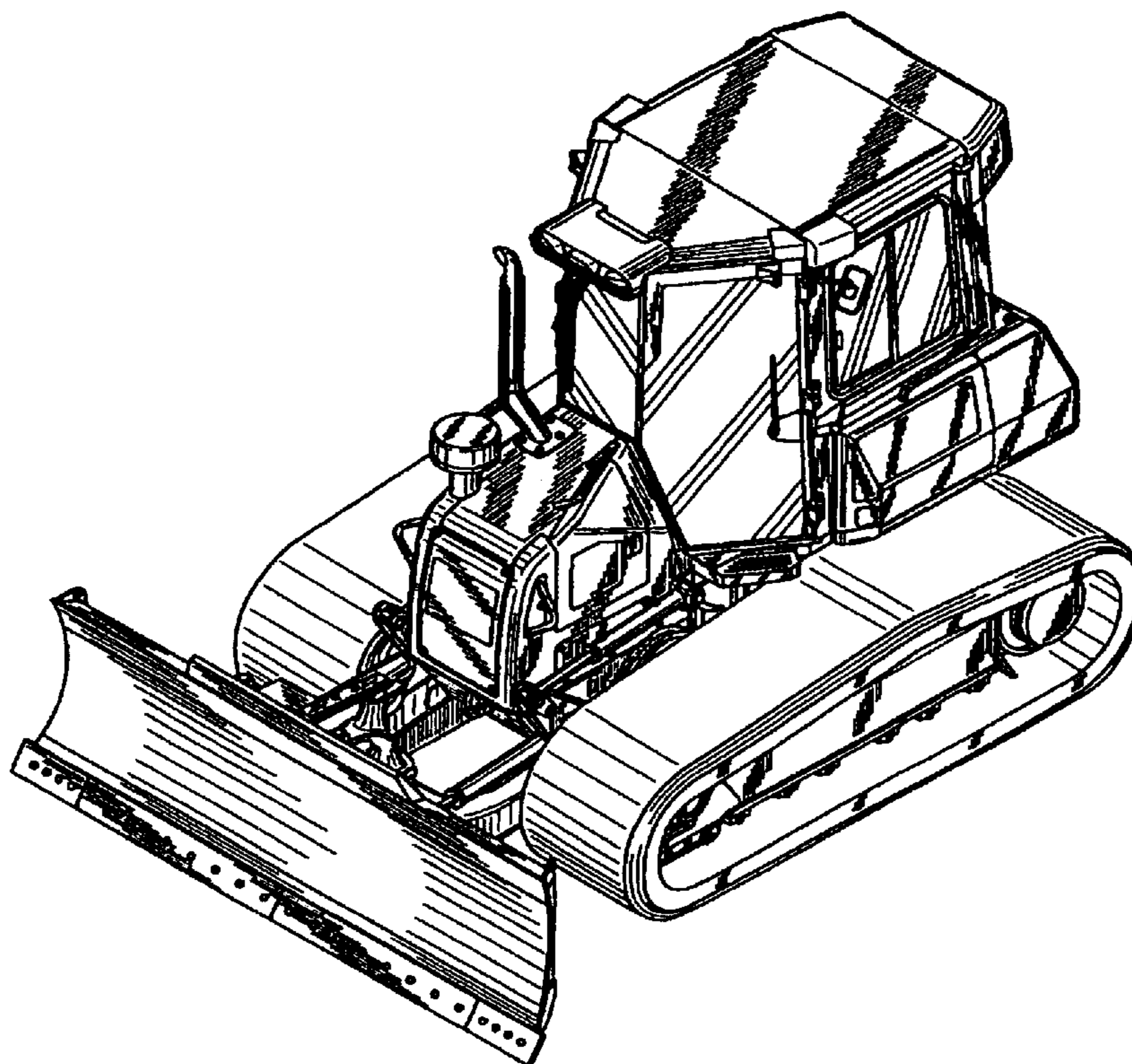
FIG. 5 is a top plan view thereof;

FIG. 6 is a bottom plan view thereof;

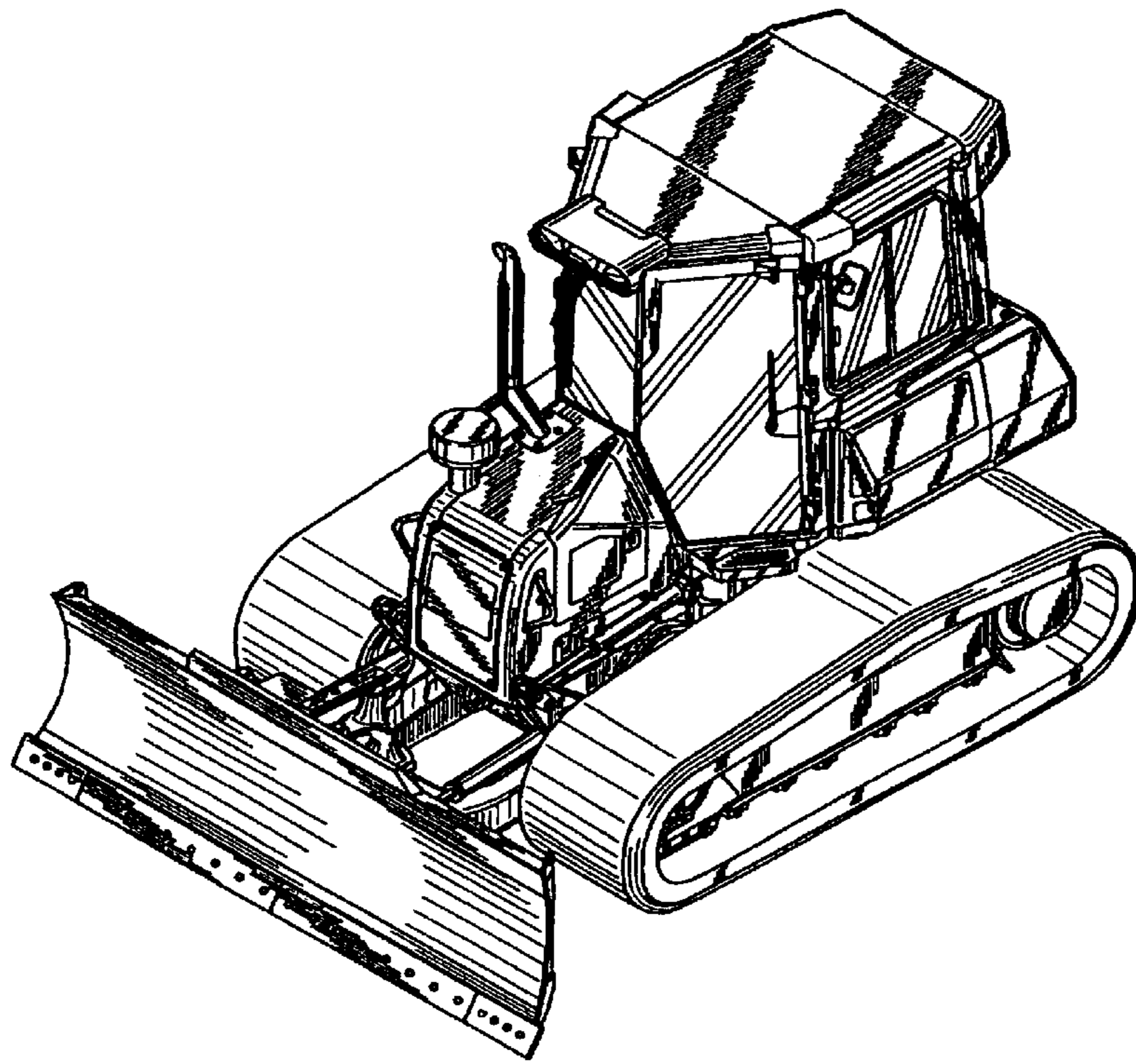
FIG. 7 is a right side elevational view thereof; and,

FIG. 8 is a left side elevational view thereof.

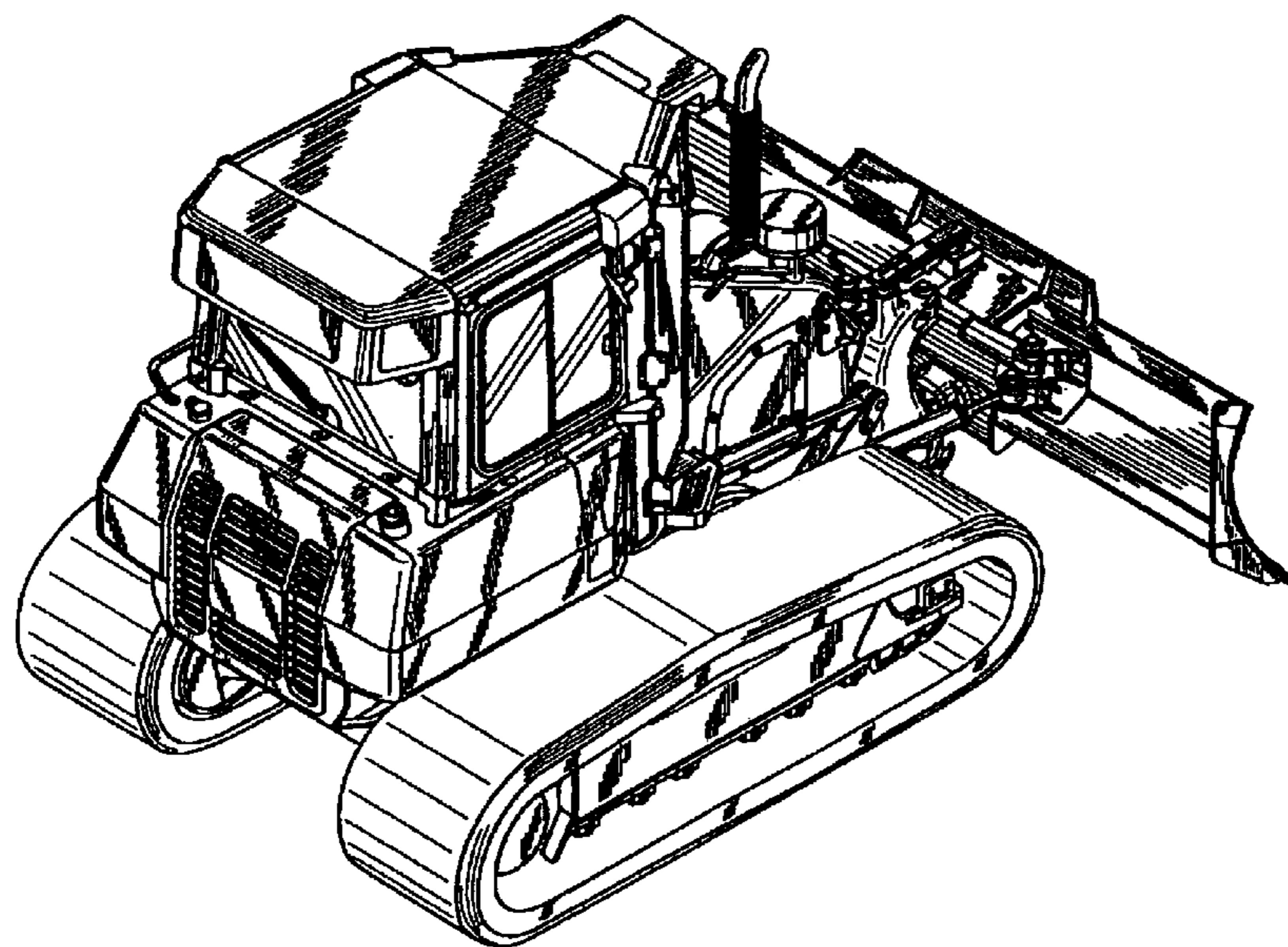
**1 Claim, 4 Drawing Sheets**



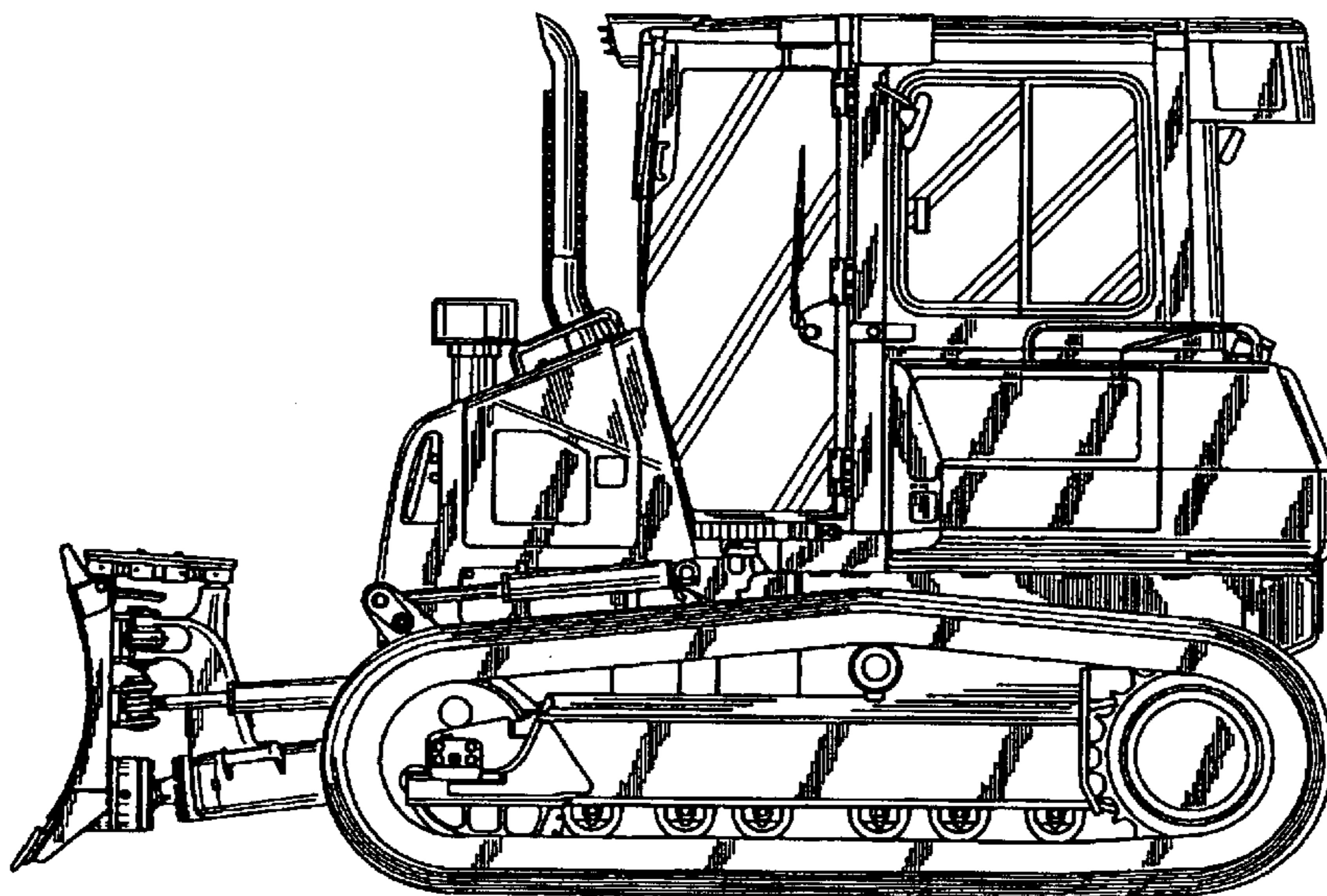
*FIG. 1*



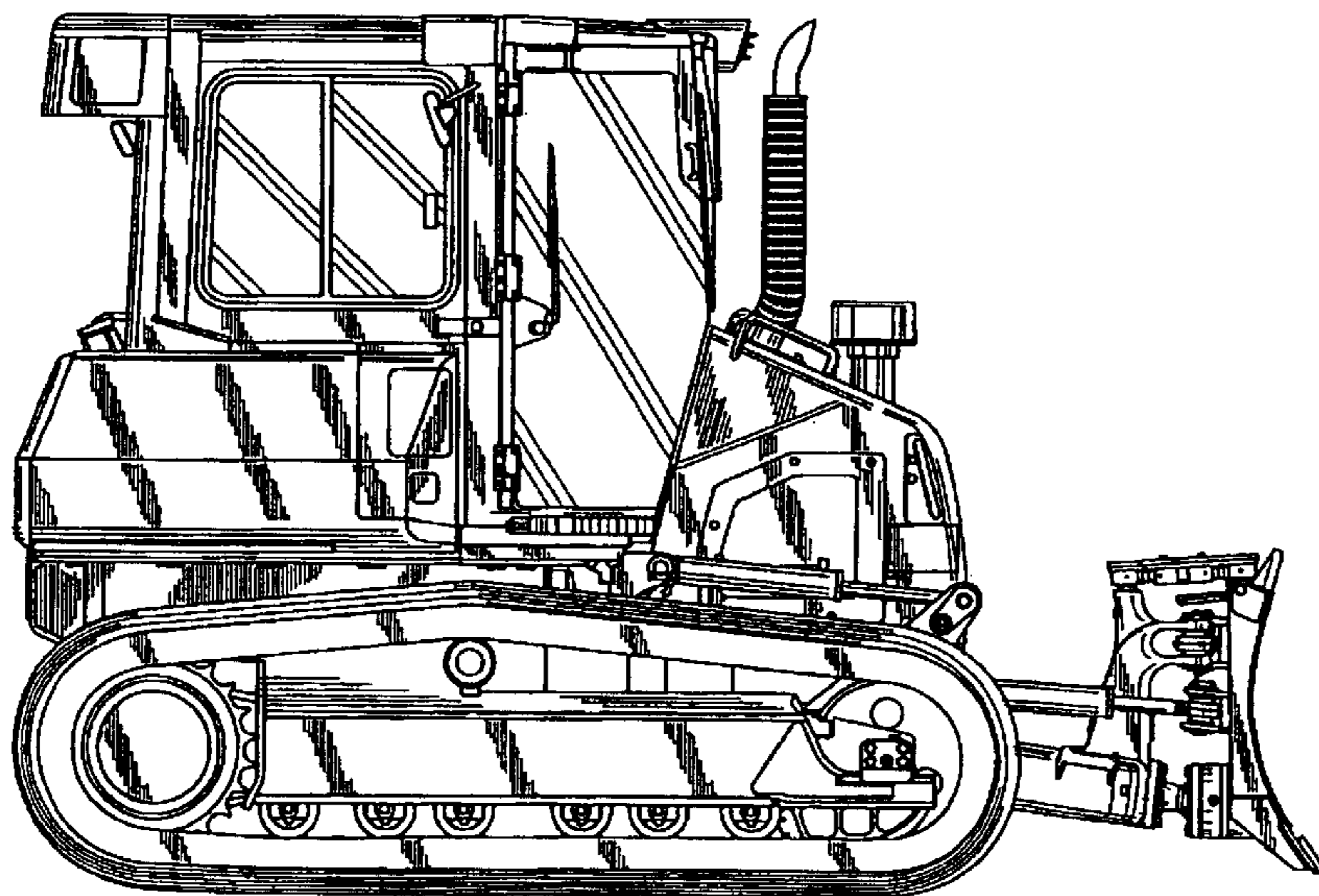
*FIG. 2*



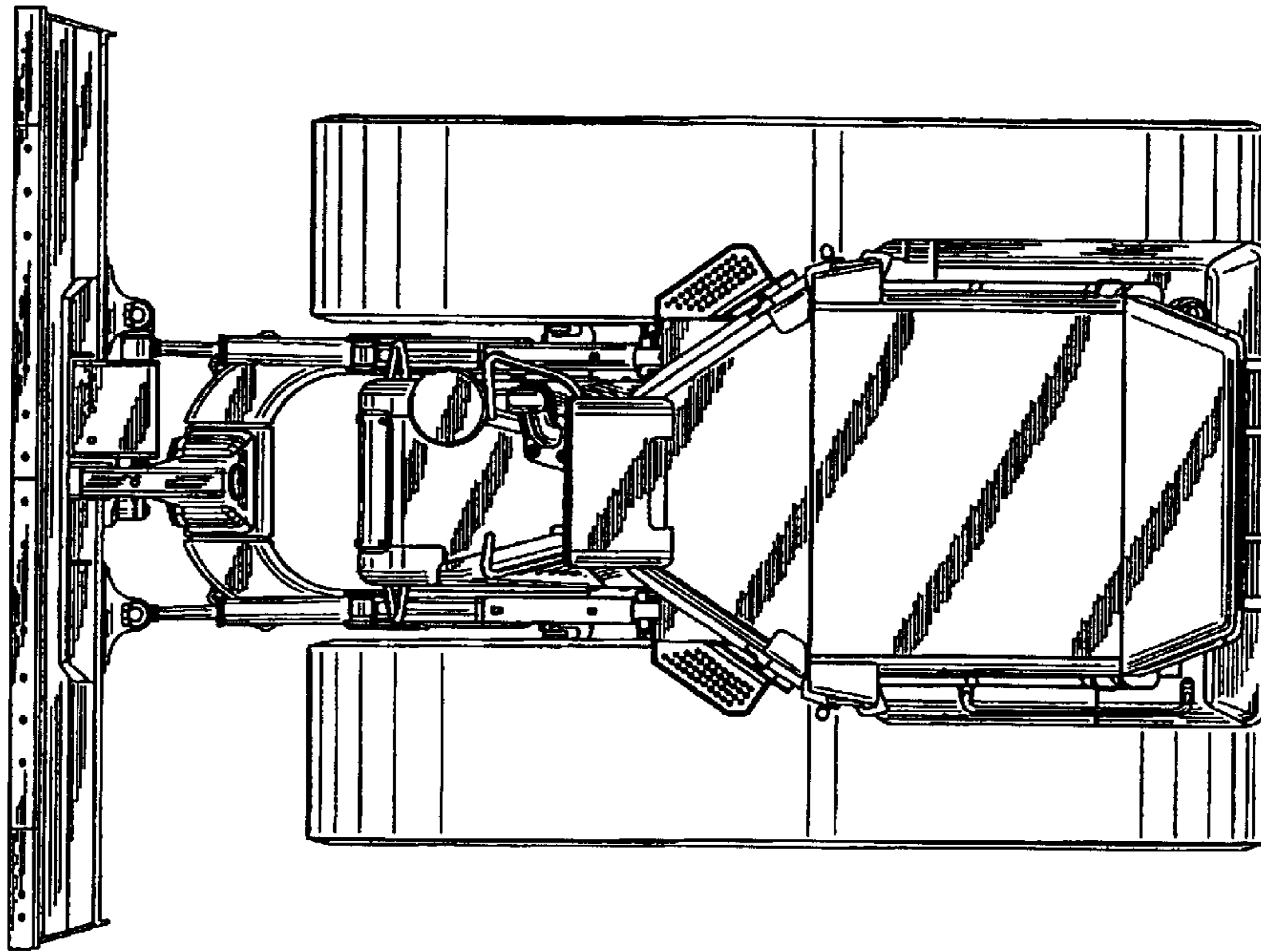
**FIG. 3**



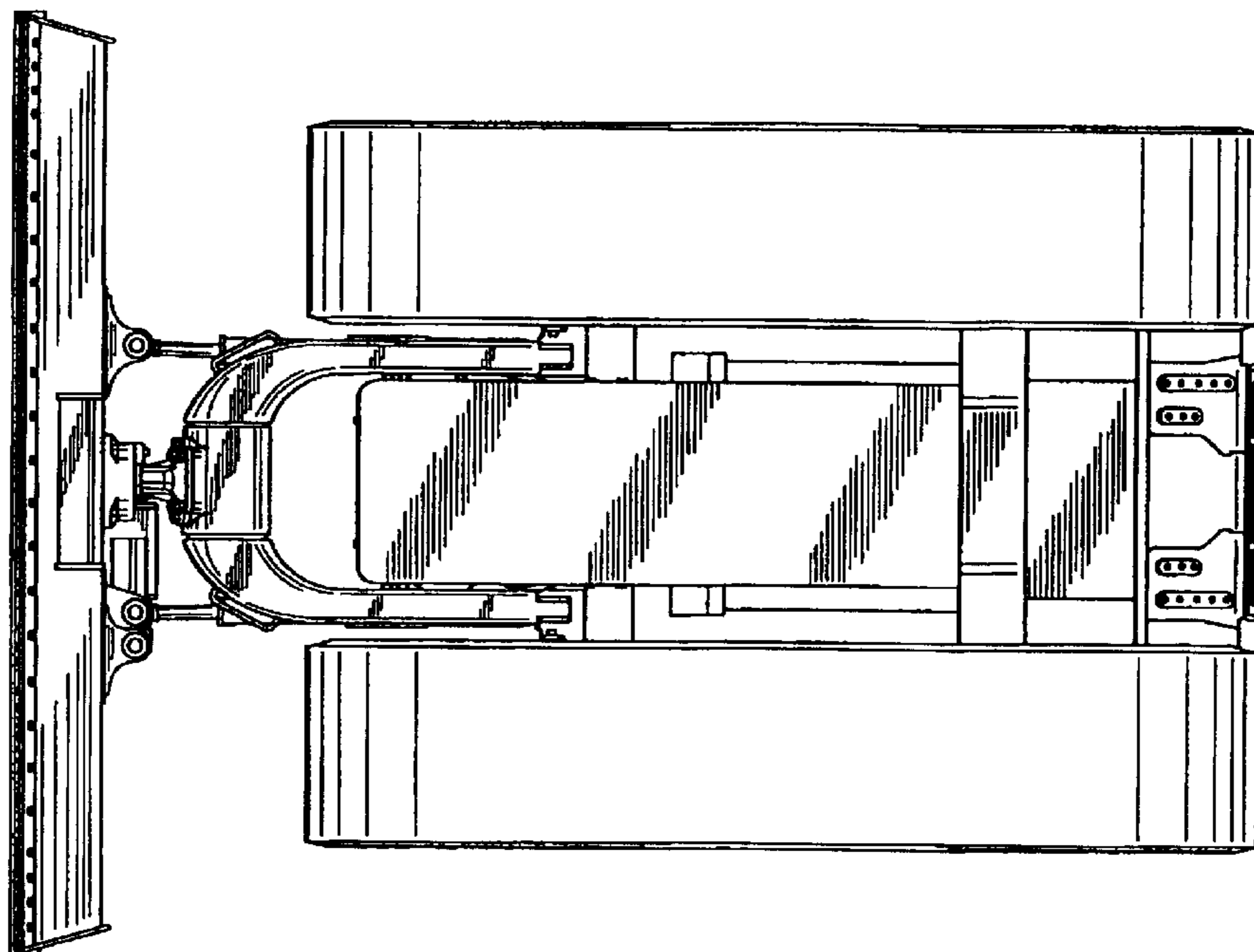
**FIG. 4**



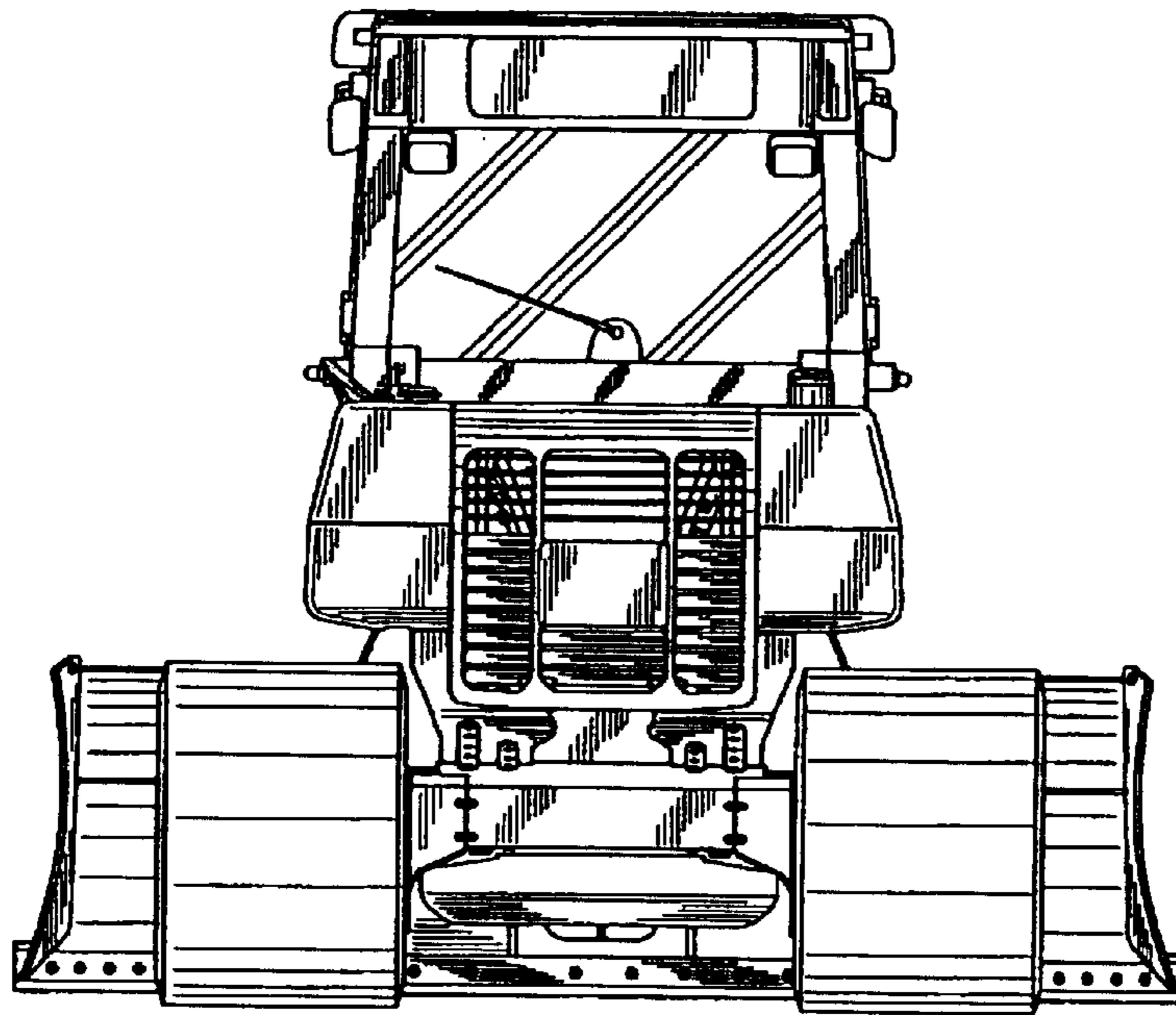
*FIG. 5*



*FIG. 6*



**FIG. 7**



**FIG. 8**

