



US00D543547S

(12) **United States Design Patent**
Muday et al.

(10) **Patent No.:** **US D543,547 S**

(45) **Date of Patent:** **** May 29, 2007**

(54) **SMALL CANTILEVER MOUNT WITH A TILT MECHANISM FOR A FLAT PANEL DISPLAY**

(75) Inventors: **Tom Muday**, Scottsdale, AZ (US);
Zachary Eyman, Phoenix, AZ (US);
David Anderson, Mesa, AZ (US);
Brett Stenhouse, Phoenix, AZ (US);
Keith Charvonia, Cave Creek, AZ (US);
Flavio Ly Hau, Tempe, AZ (US)

(73) Assignee: **Omnimount Systems, Inc.**, Phoenix, AZ (US)

(**) Term: **14 Years**

(21) Appl. No.: **29/253,812**

(22) Filed: **Feb. 13, 2006**

(51) **LOC (8) Cl.** **14-02**

(52) **U.S. Cl.** **D14/452**

(58) **Field of Classification Search** D14/214,
D14/224, 237, 239, 316, 371-7, 432, 439,
D14/447-8, 451-2; D8/355, 363, 373, 380;
248/176.1, 201, 205.1, 237, 274.1, 276.1,
248/278.1, 279.1, 280.11, 282.1, 284.1, 286.1,
248/288.51, 291.1, 298.31, 390.1, 466, 917,
248/919; 343/800, 878, 880-2; 362/33; 403/83
See application file for complete search history.

(56) **References Cited**

U.S. PATENT DOCUMENTS

D489,377 S * 5/2004 van Kuijk D14/451
D494,183 S * 8/2004 Wills et al. D14/452

6,915,996 B2 * 7/2005 Lin 248/288.51
D508,917 S * 8/2005 Wills et al. D14/452
6,997,422 B2 * 2/2006 Sweere et al. 248/123.11
7,000,878 B2 * 2/2006 Lin 248/276.1
D529,033 S * 9/2006 Hung D14/452
2004/0262474 A1 * 12/2004 Boks et al. 248/276.1
2005/0092873 A1 * 5/2005 Lin 248/125.9
2005/0121578 A1 * 6/2005 Asamarai et al. 248/284.1
2005/0127261 A1 * 6/2005 Lin 248/288.51
2005/0258321 A1 * 11/2005 Worrall et al. 248/201
2006/0181637 A1 * 8/2006 Oddsen et al. 348/373

* cited by examiner

Primary Examiner—Alan P. Douglas

Assistant Examiner—Angela J. Lee

(74) *Attorney, Agent, or Firm*—Hogan & Hartson LLP

(57) **CLAIM**

The ornamental design for a small cantilever mount with a tilt mechanism for a flat panel display, as shown and described.

DESCRIPTION

FIG. 1 is a top, right isometric view of a small cantilever mount with a tilt mechanism for a flat panel display showing our design.

FIG. 2 is a front elevational view thereof.

FIG. 3 is a rear elevational view thereof.

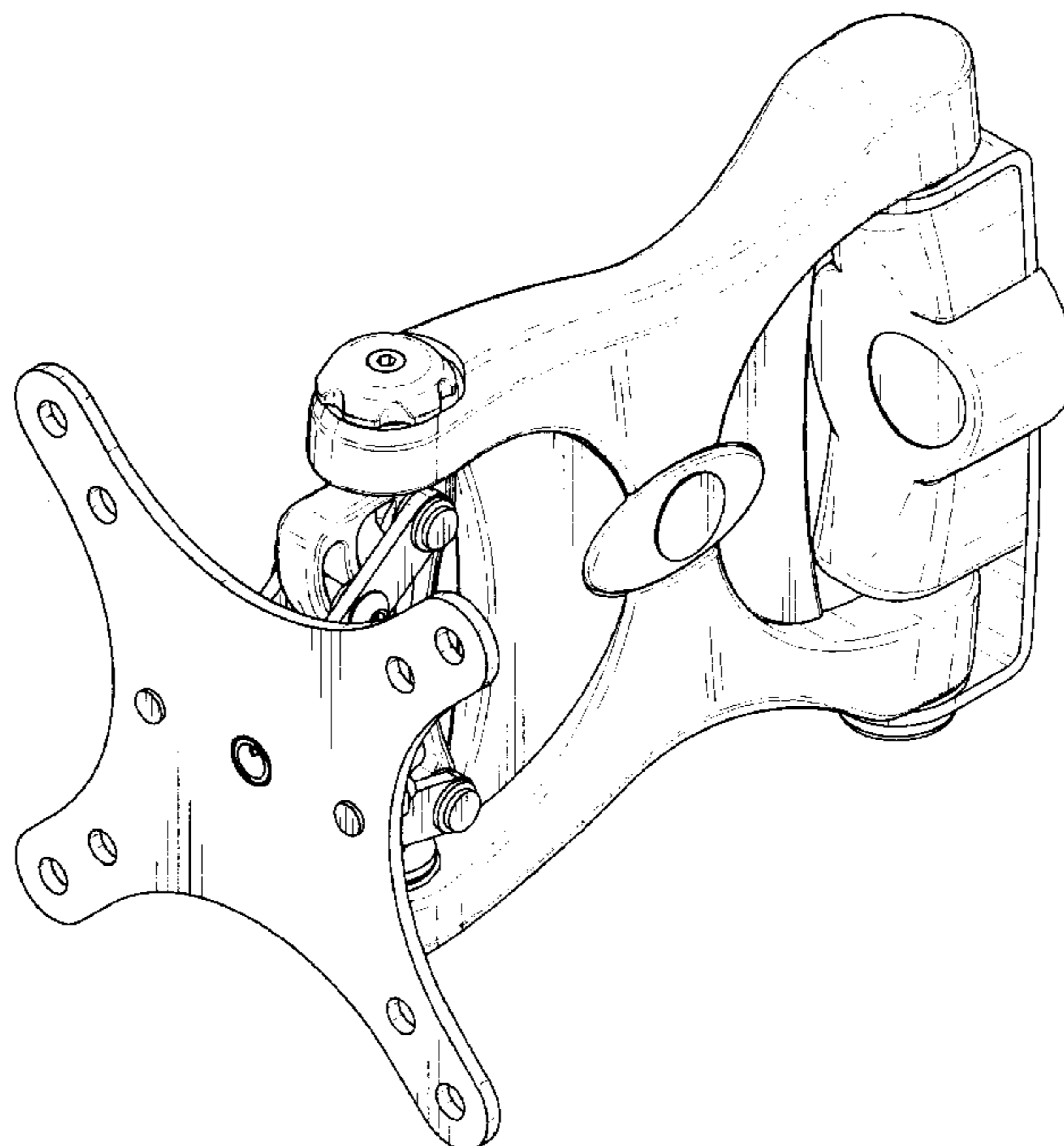
FIG. 4 is a right-side elevational view thereof.

FIG. 5 is a left-side elevational view thereof.

FIG. 6 is a top plan view thereof; and,

FIG. 7 is a bottom plan view thereof.

1 Claim, 4 Drawing Sheets



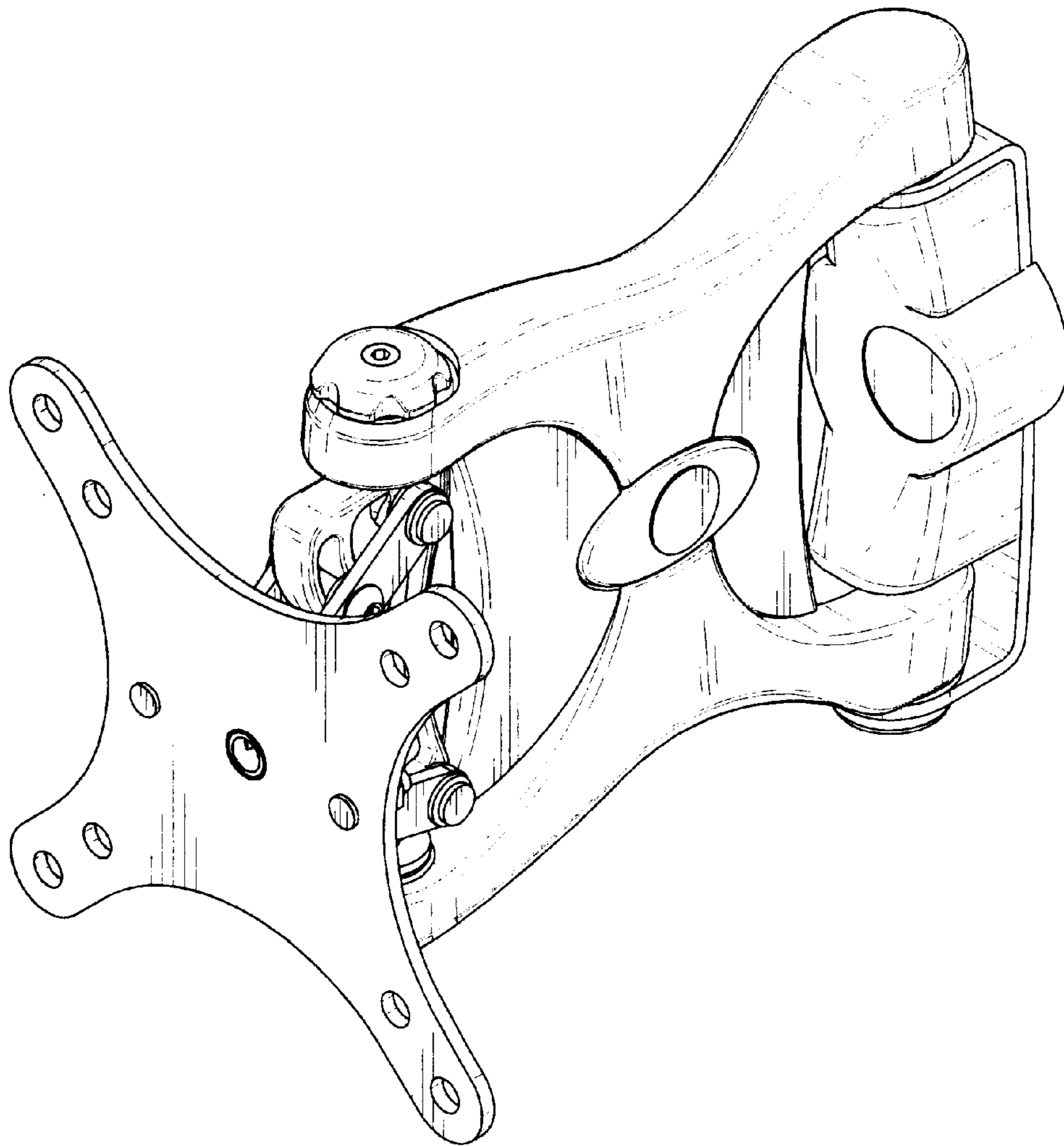


Fig. 1

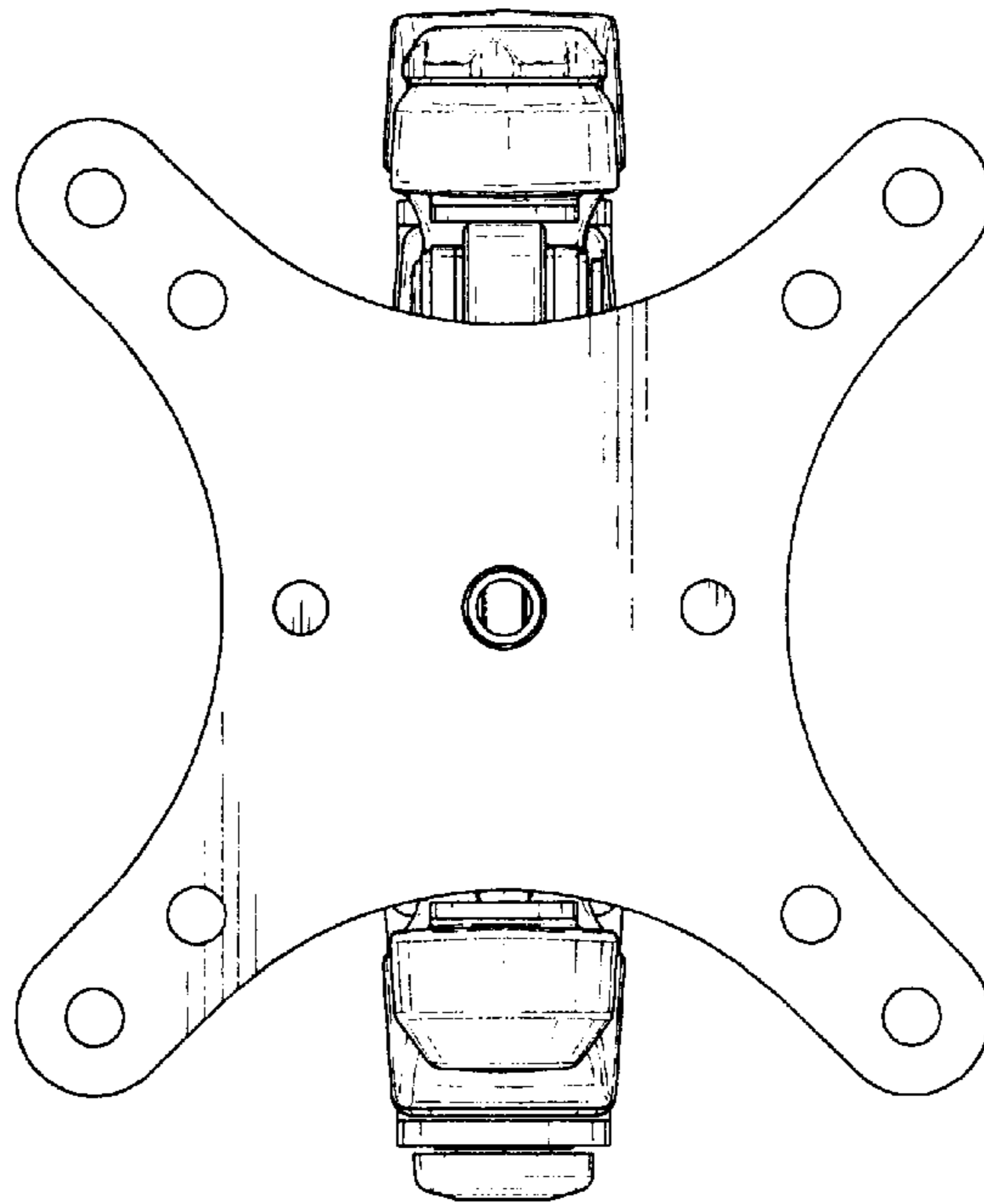


Fig. 2

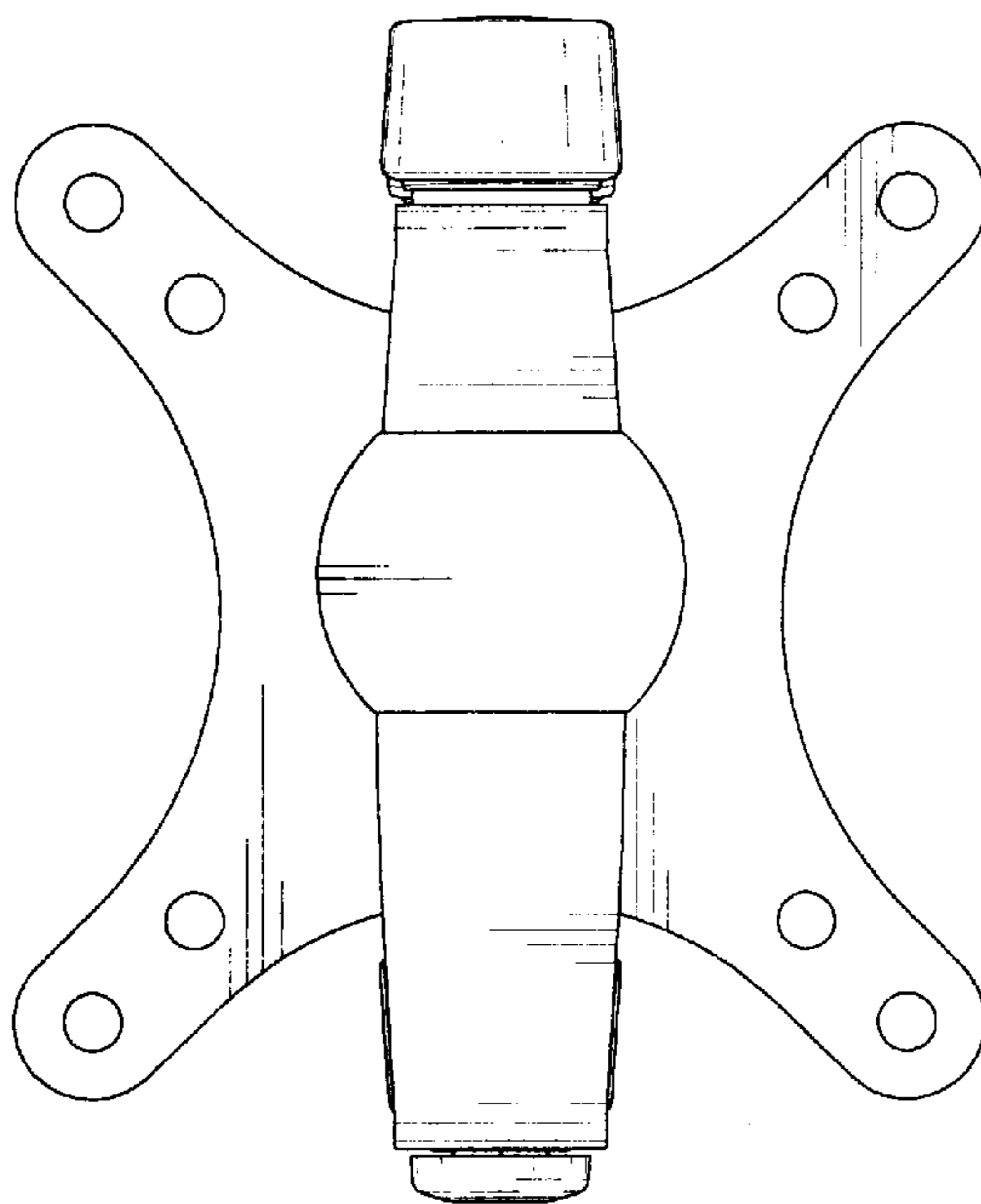


Fig. 3

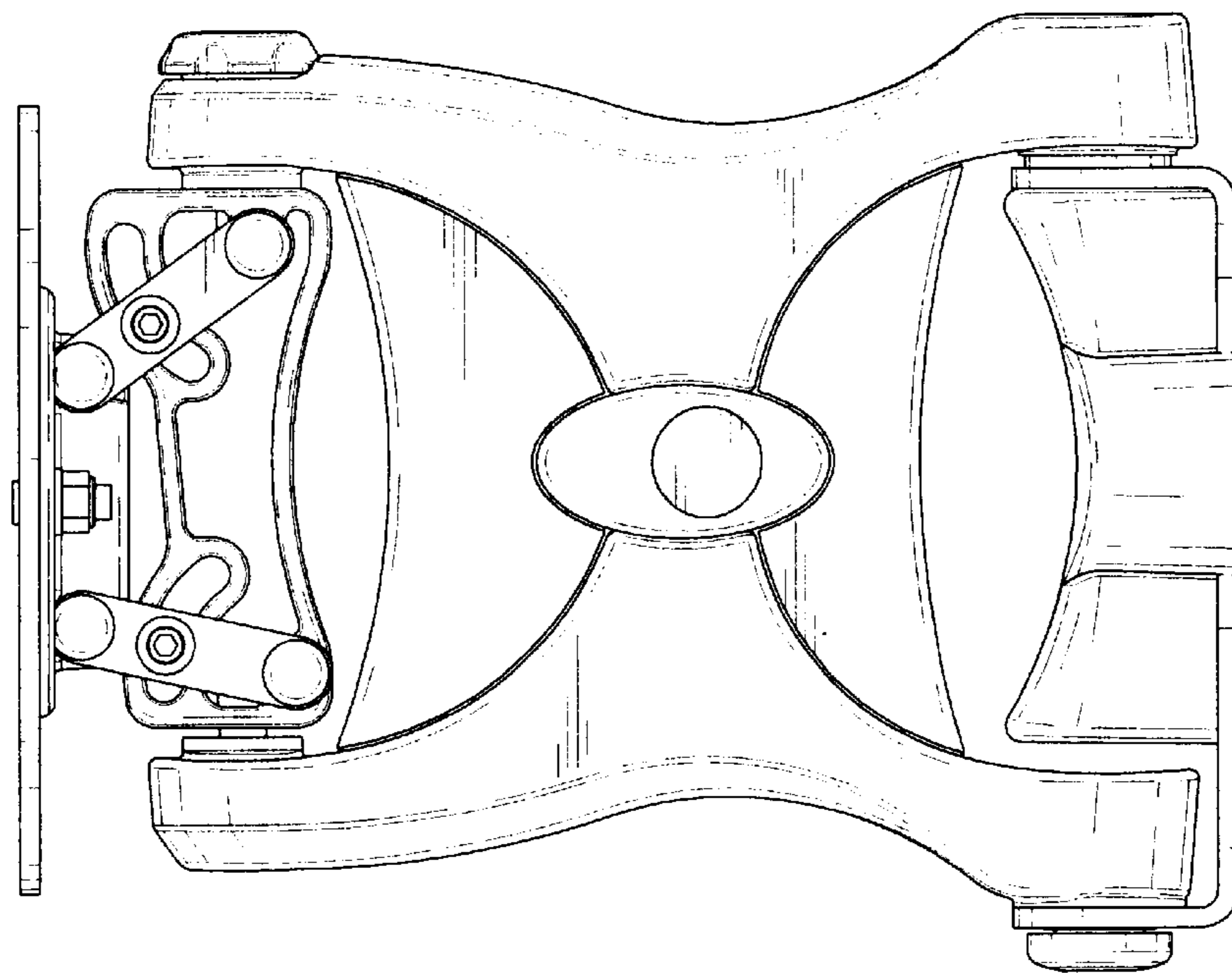


Fig. 4

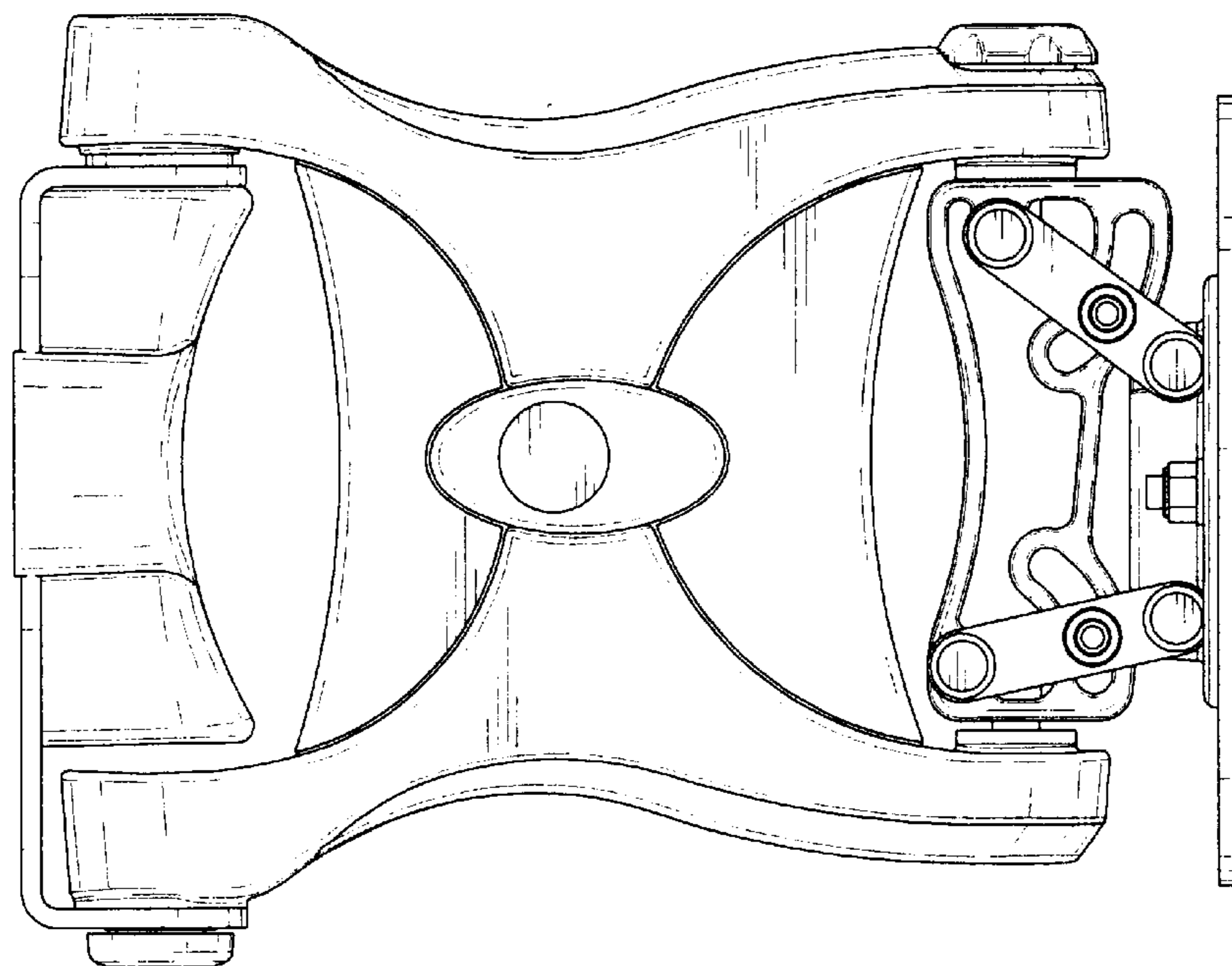


Fig. 5

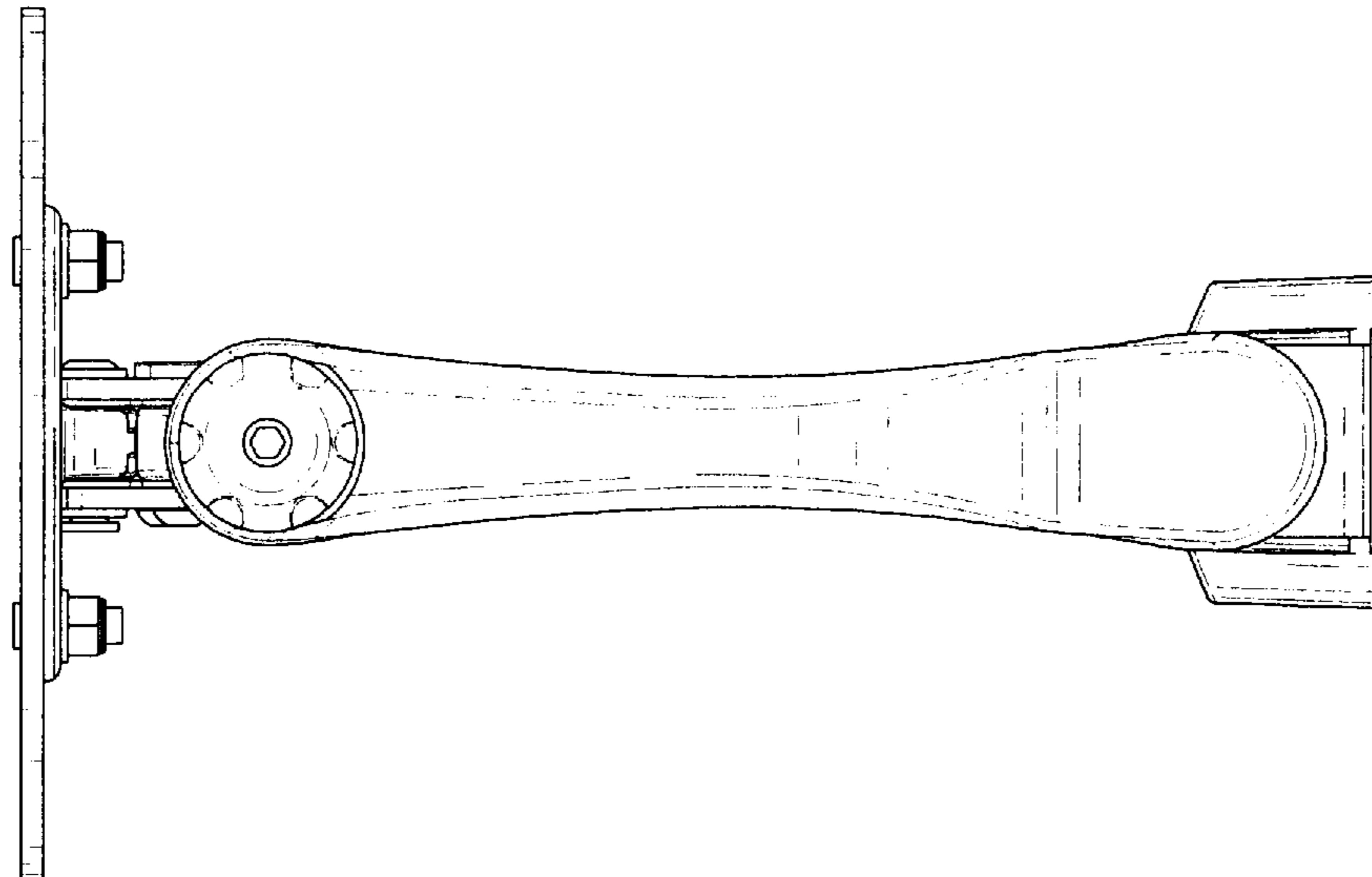


Fig. 6

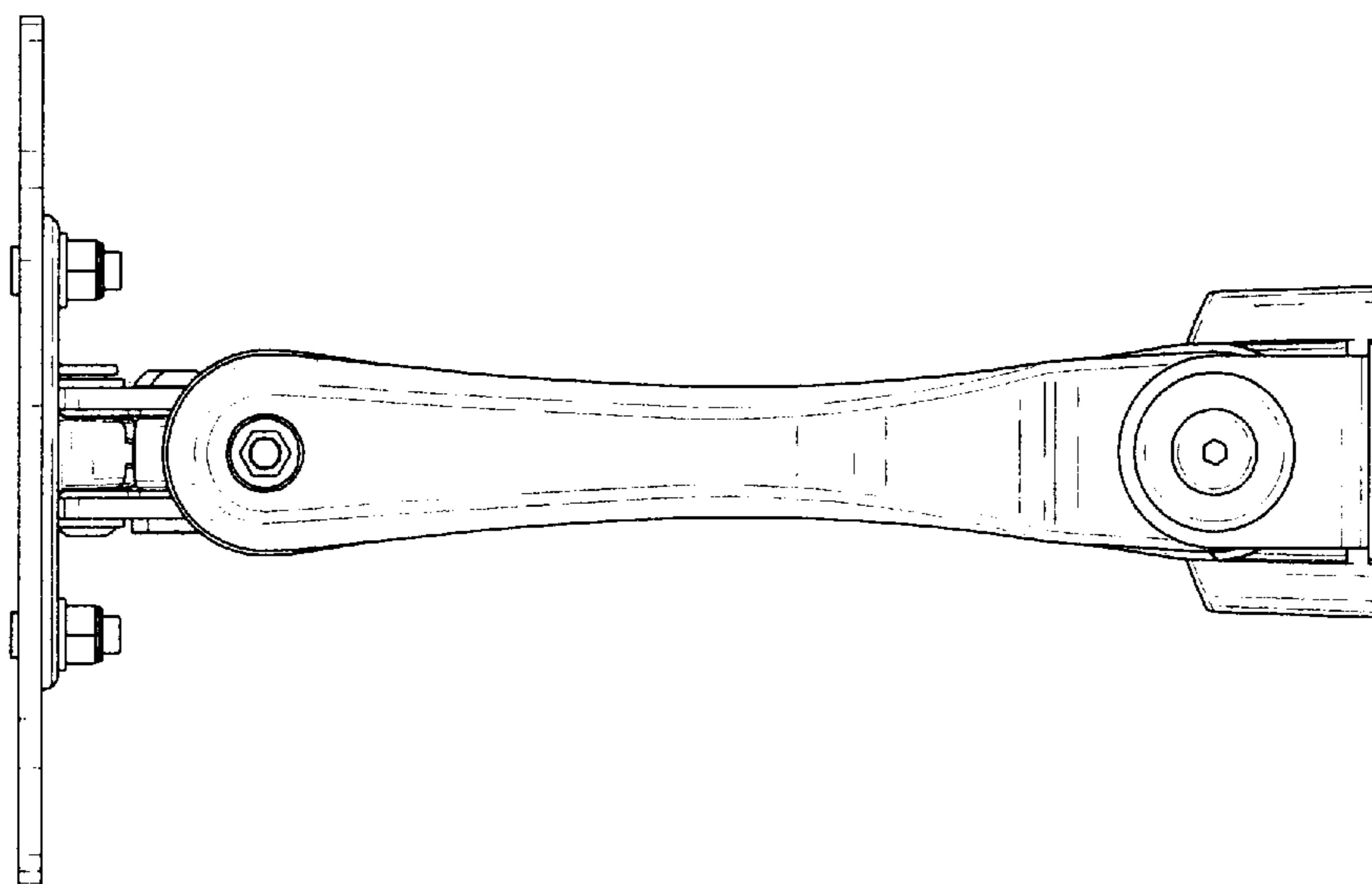


Fig. 7