

US00D543542S

(12) **United States Design Patent**
Ng et al.

(10) **Patent No.: US D543,542 S**

(45) **Date of Patent: ** May 29, 2007**

(54) **ONE BUTTON EXTERNAL STORAGE**

(75) Inventors: **Phoebe Ng**, San Jose, CA (US); **Mark Muenchinger**, San Rafael, CA (US); **Chris Green**, San Francisco, CA (US)

(73) Assignee: **Maxtor Corporation**, Scotts Valley, CA (US)

(**) Term: **14 Years**

(21) Appl. No.: **29/240,639**

(22) Filed: **Oct. 14, 2005**

(51) **LOC (8) Cl.** **14-02**

(52) **U.S. Cl.** **D14/356**

(58) **Field of Classification Search** D14/242,
D14/496, 125, 135-6, 167, 300-2, 314, 341,
D14/355-8, 362-70, 383, 385, 433, 348-9,
D14/351-3, 156; 379/413.04; 220/4.01-4.02;
361/679, 685-6; D13/103

See application file for complete search history.

(56) **References Cited**

U.S. PATENT DOCUMENTS

2,431,351	A	*	11/1947	Stiriss	232/4 R
2,438,108	A	*	3/1948	Barler et al.	312/351
2,656,064	A	*	10/1953	Bues	220/4.01
D226,565	S	*	3/1973	Klepa et al.	D14/349
D273,865	S	*	5/1984	Caven et al.	D14/352
D308,361	S	*	6/1990	Nakamura et al.	D14/368
5,187,645	A	*	2/1993	Spalding et al.	361/686
D336,075	S	*	6/1993	Wakefield et al.	D14/353
6,056,280	A	*	5/2000	Dials et al.	267/155

6,324,057	B1	*	11/2001	Baran et al.	361/690
D480,077	S	*	9/2003	Searby et al.	D14/308
D491,179	S	*	6/2004	Wu	D14/368
D506,755	S	*	6/2005	Chen et al.	D14/349

* cited by examiner

Primary Examiner—Robin Webster

Assistant Examiner—Karen E. Patterson

(74) *Attorney, Agent, or Firm*—Derek J. Berger; David K. Lucente

(57) **CLAIM**

We claim the ornamental design for a one button external storage, as shown and described.

DESCRIPTION

FIG. 1 is a perspective front-top-right side view of a one button external storage showing my new design;

FIG. 2 is a front view according to the invention of FIG. 1;

FIG. 3 is a rear view of my first embodiment according to the invention of FIG. 1;

FIG. 4 is a rear view of the second embodiment according to the invention of FIG. 1, the only difference in this embodiment being the placement of the cable jacks;

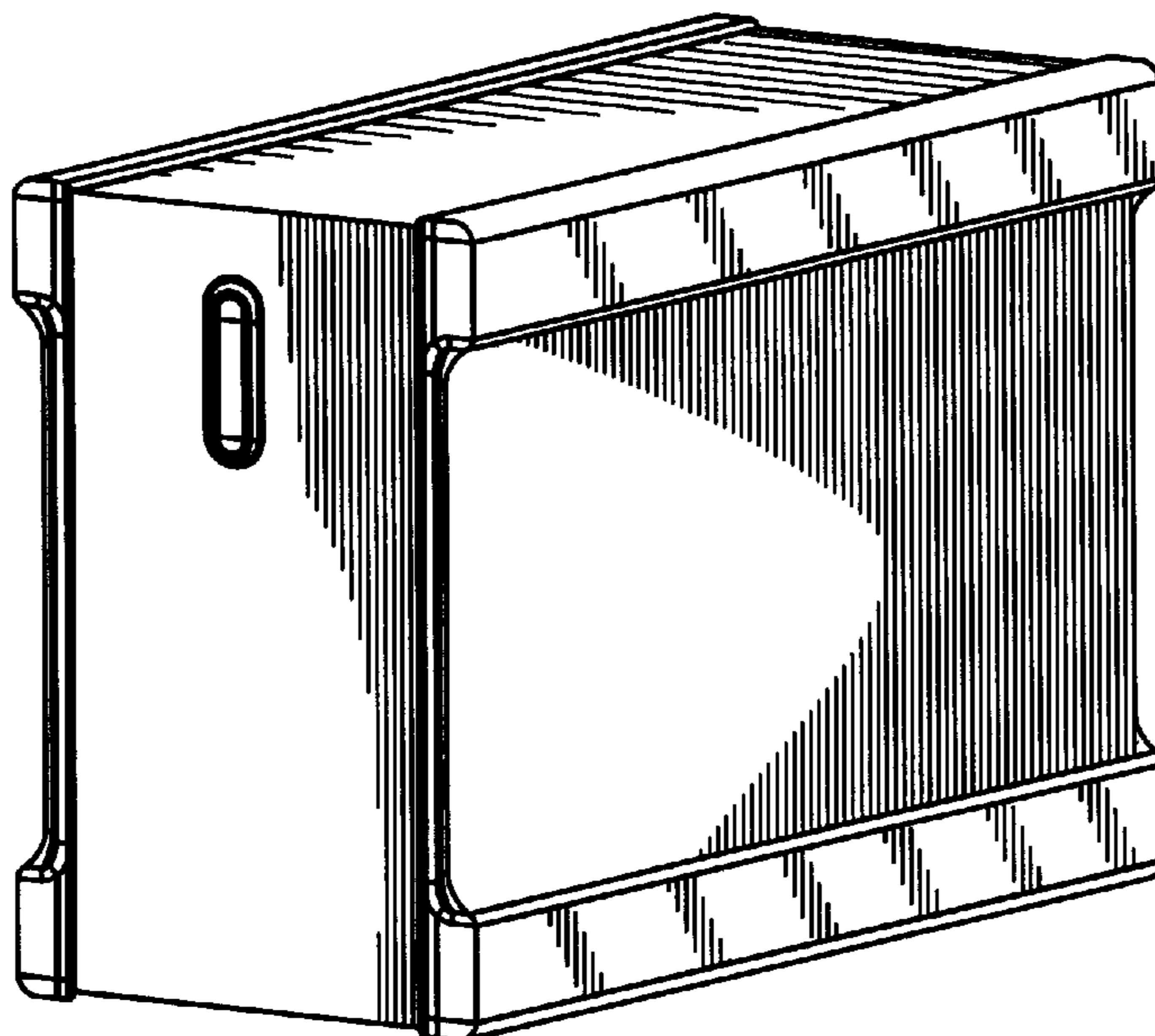
FIG. 5 is a right side view according to the invention of FIG. 1;

FIG. 6 is a left side view according to the invention of FIG. 1;

FIG. 7 is a top view according to the invention of FIG. 1; and,

FIG. 8 is a bottom view according to the invention of FIG. 1.

1 Claim, 8 Drawing Sheets



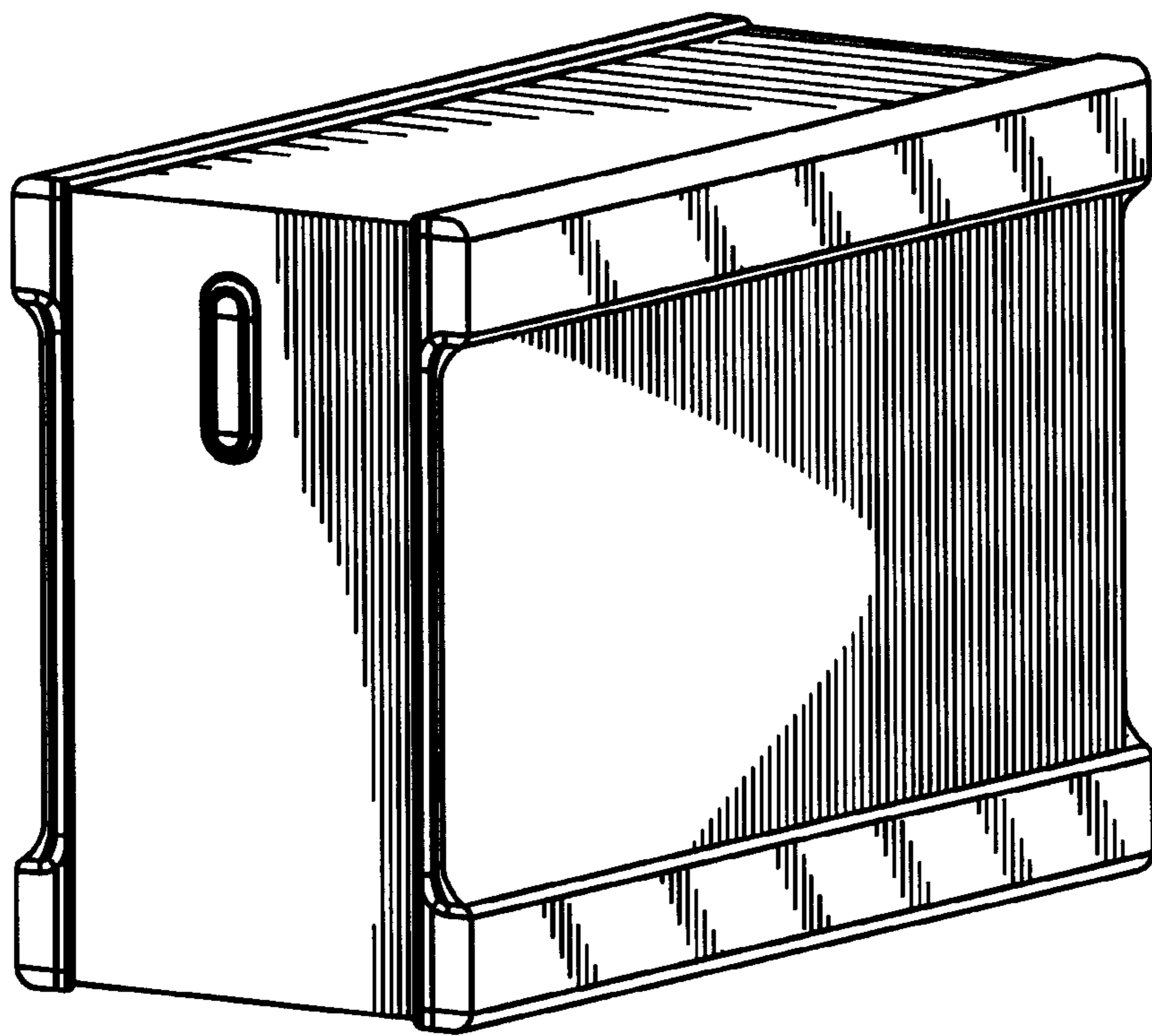


FIG. 1

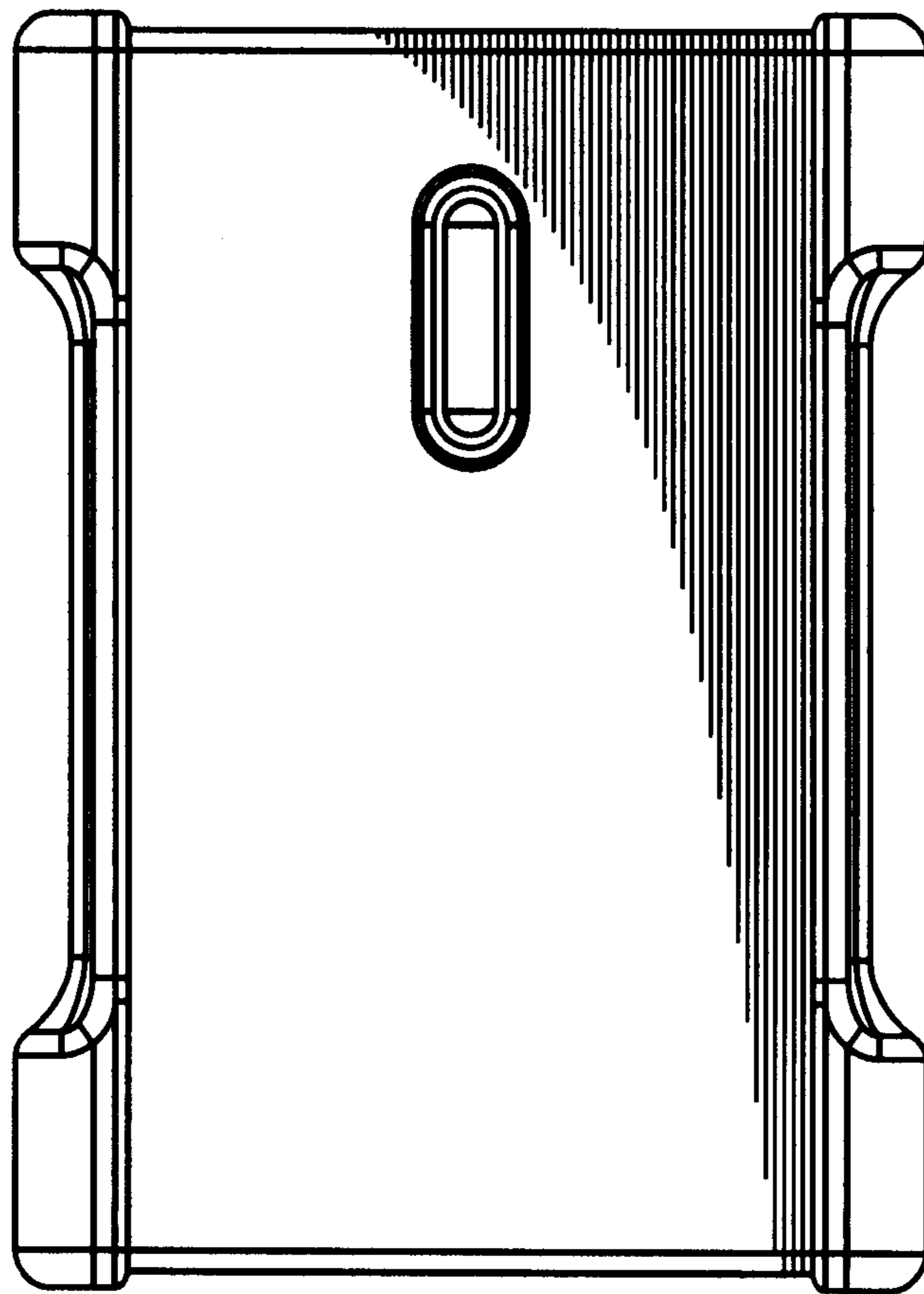


FIG. 2

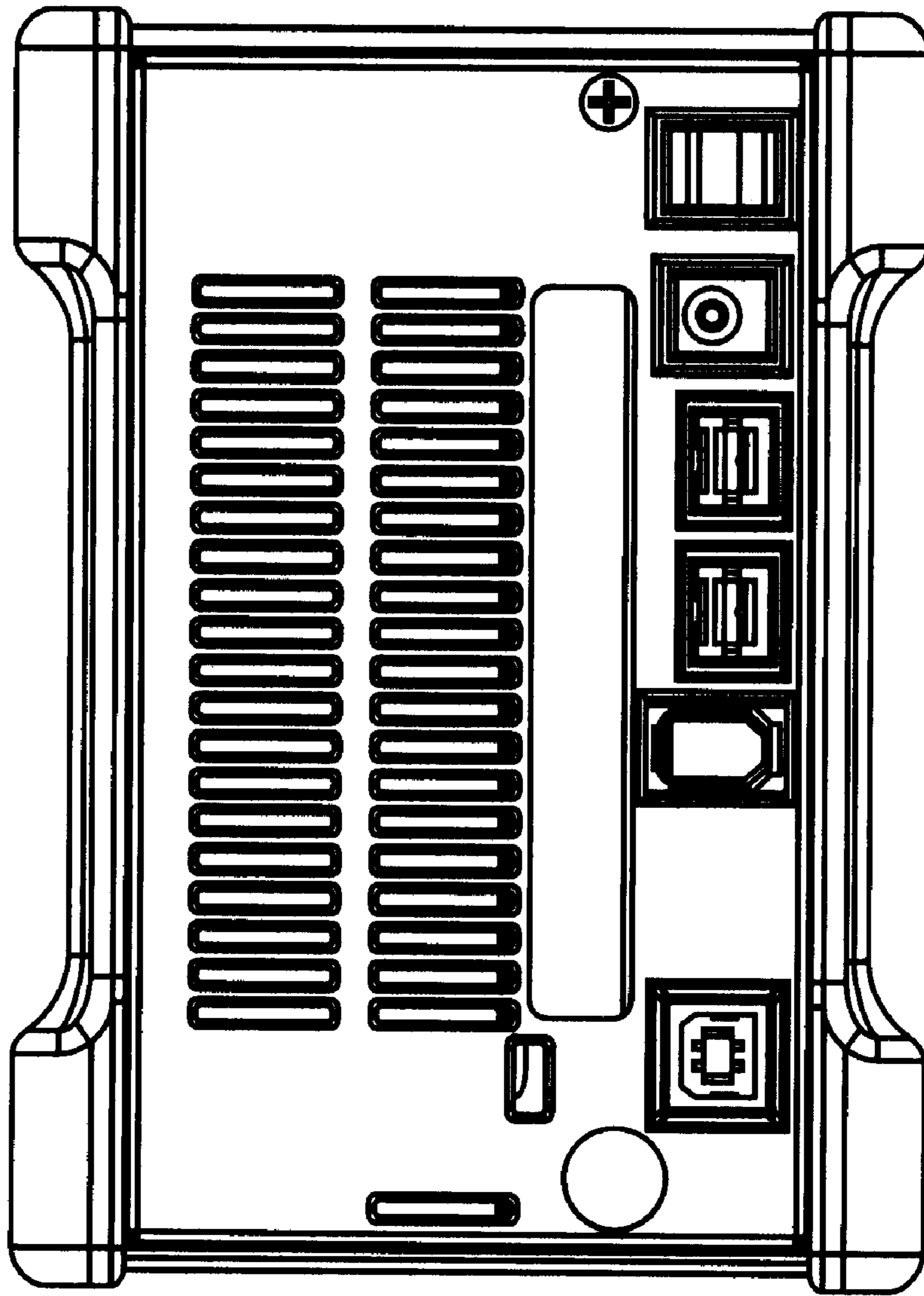


FIG. 3

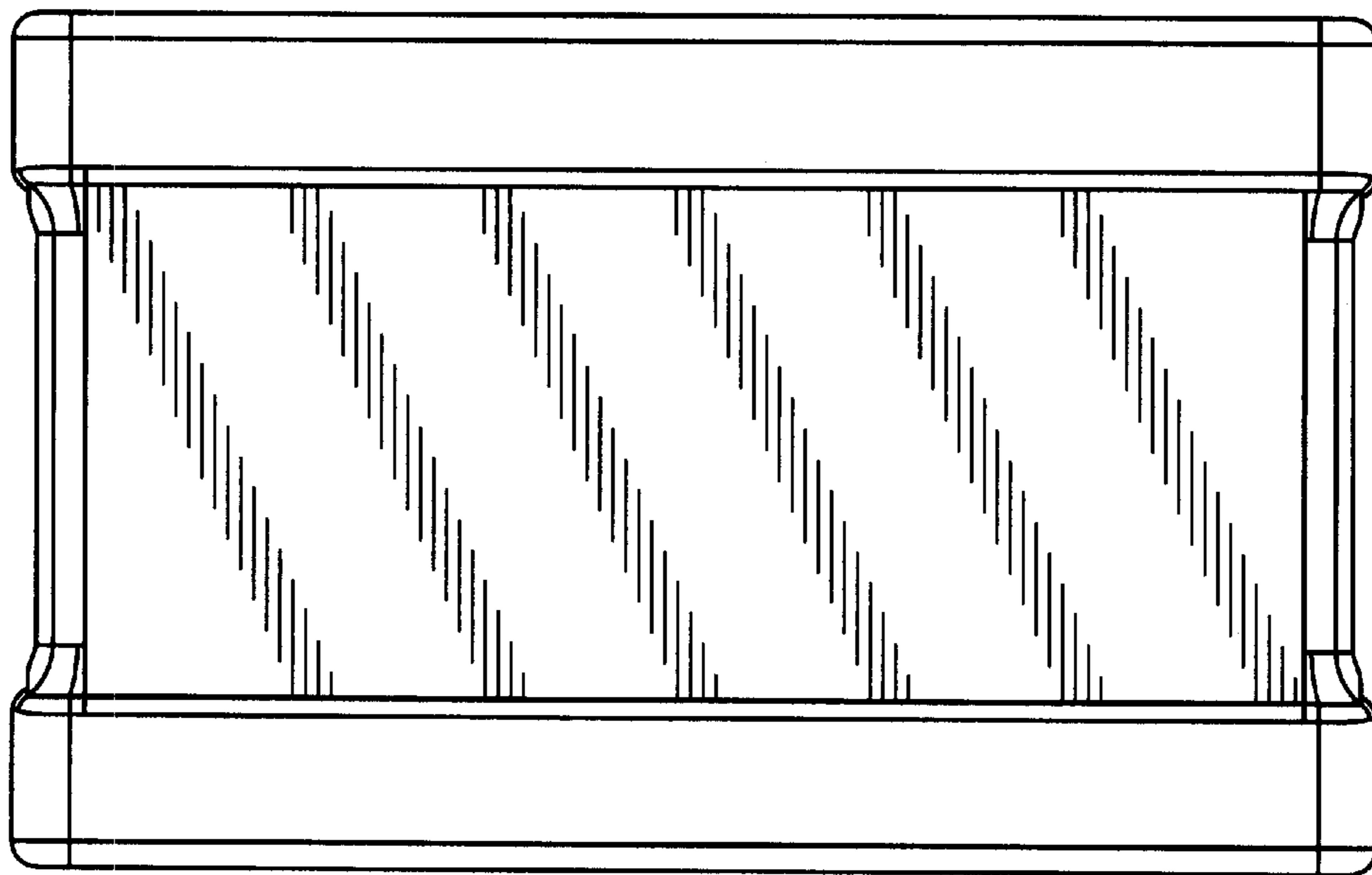


FIG. 4

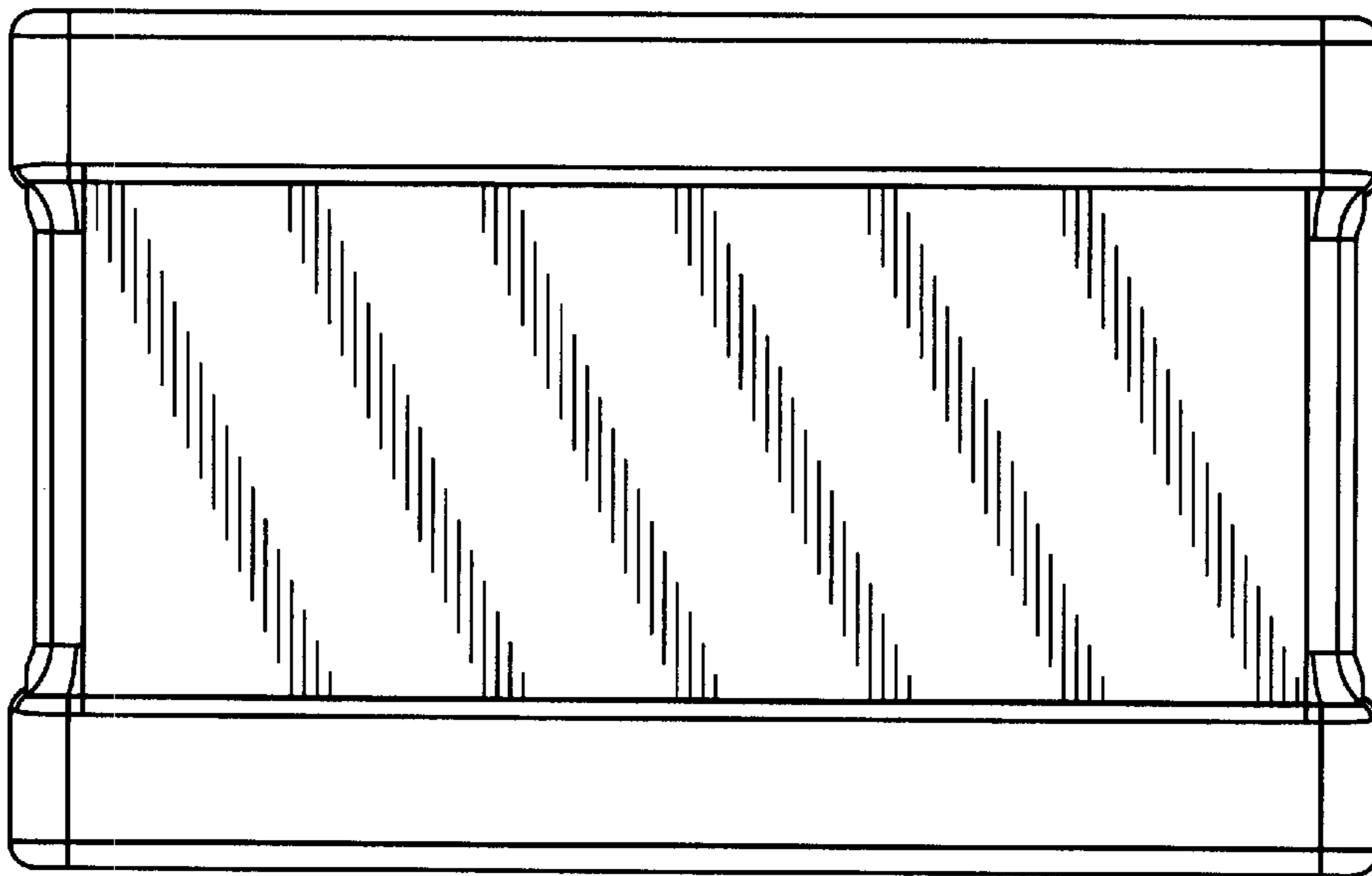


FIG. 5

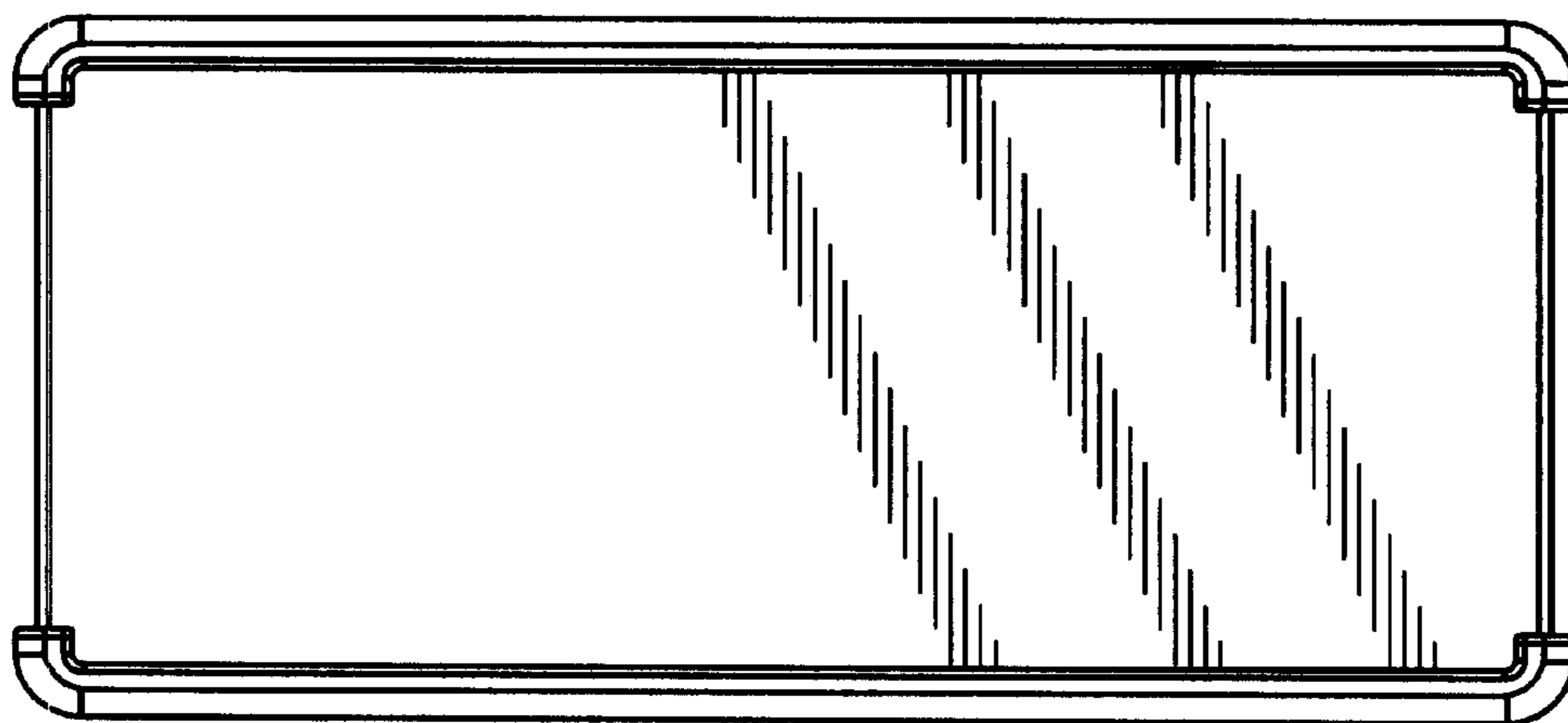


FIG. 6

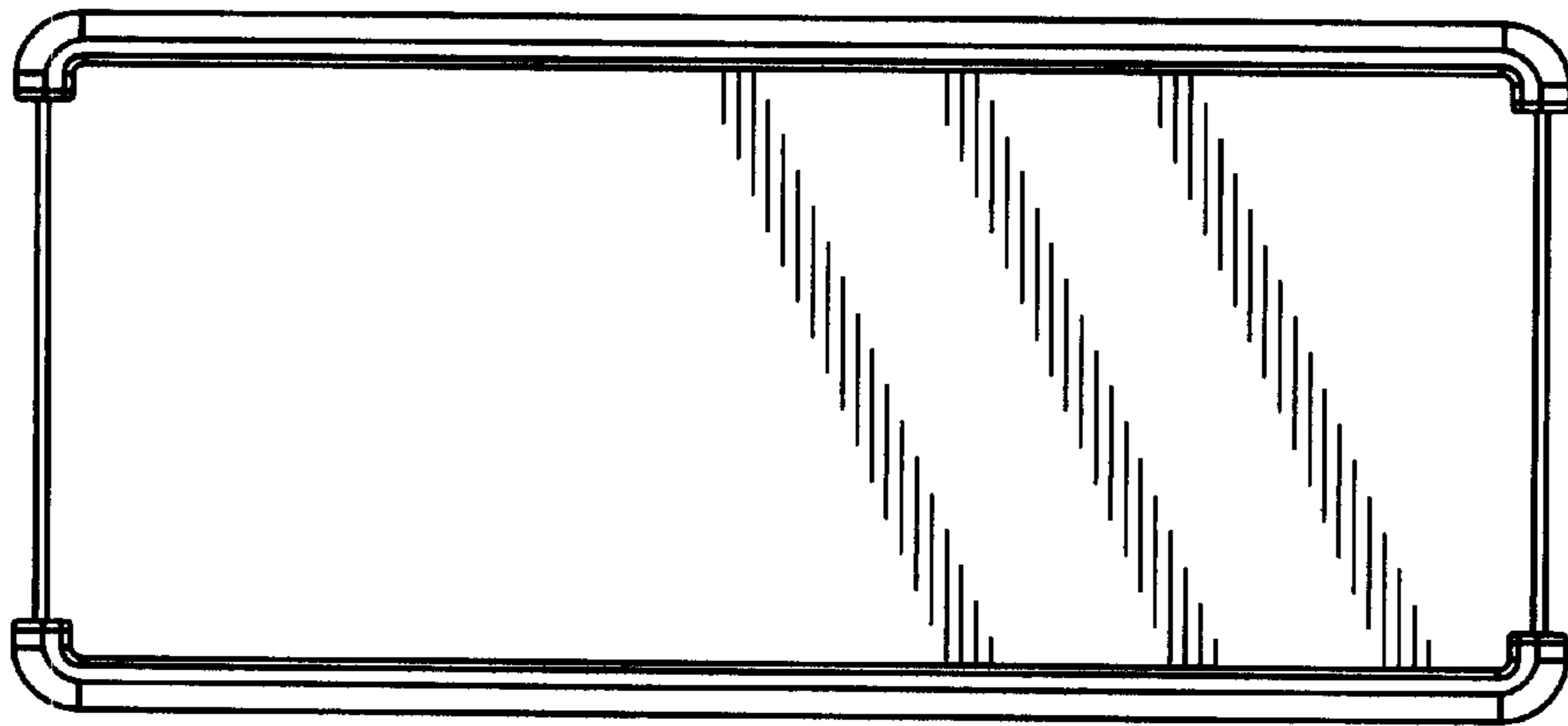


FIG. 7

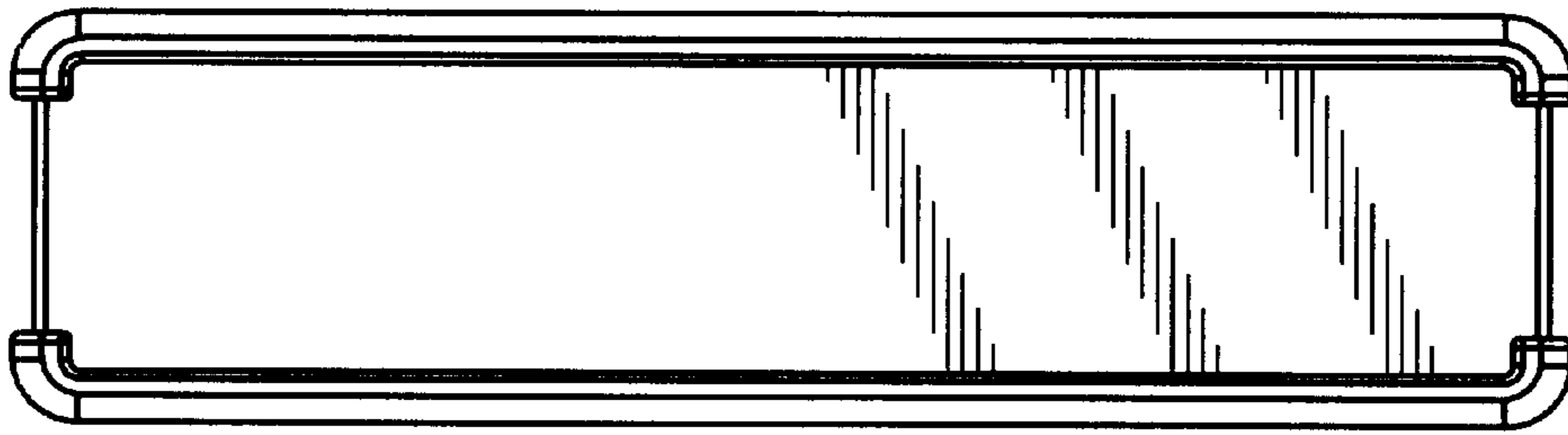


FIG. 8